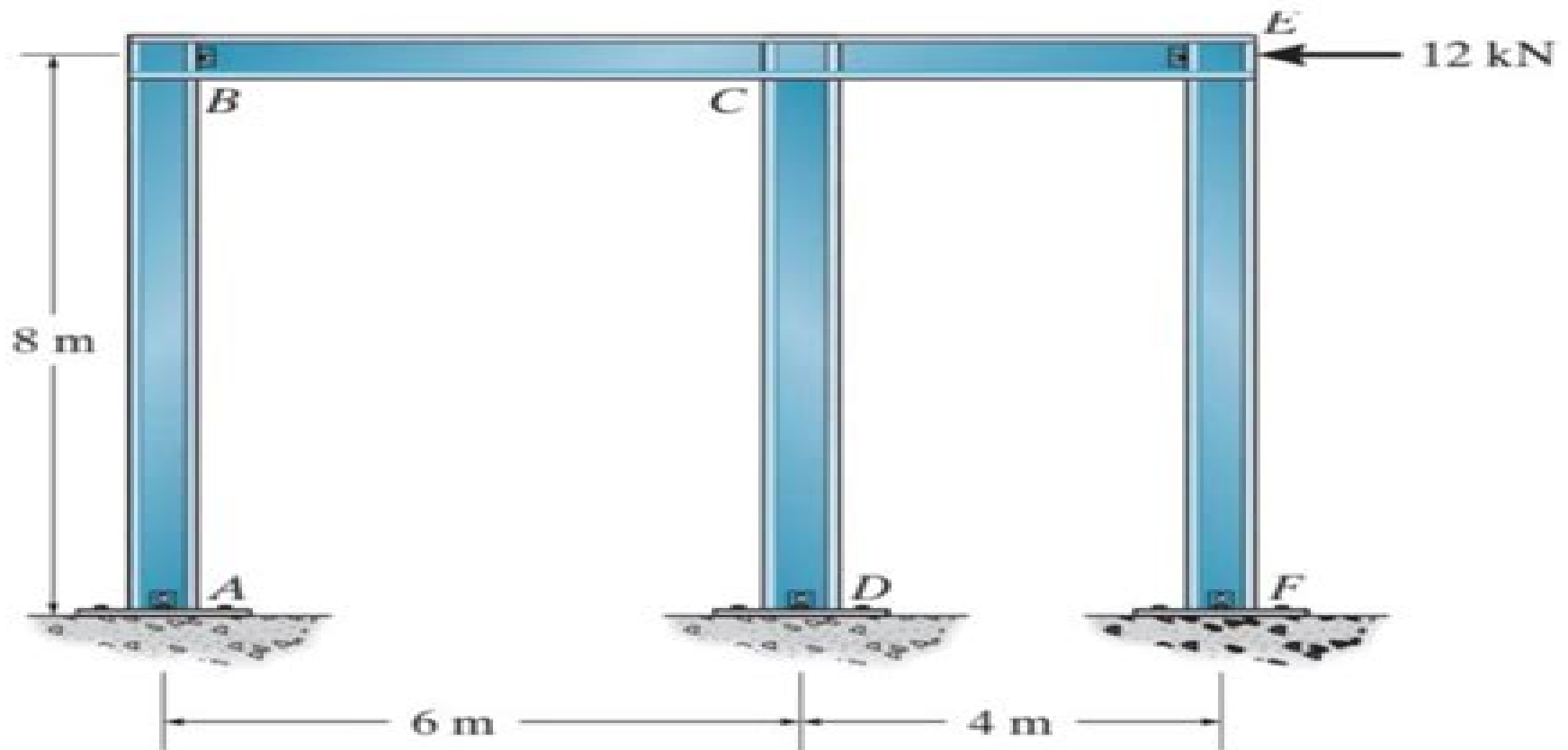


SOLVE USING MOMENT DISTRIBUTION METHOD, frames with sidesway



Prob. 11-24

Moment Distribution Method Study

**Ohio State University. Engineering
Experiment Station**



Moment Distribution Method Study:

Moment Distribution Method Study: Bestsellers in 2023 The year 2023 has witnessed a noteworthy surge in literary brilliance, with numerous compelling novels captivating the hearts of readers worldwide. Lets delve into the realm of popular books, exploring the engaging narratives that have captivated audiences this year. Moment Distribution Method Study : Colleen Hoover's "It Ends with Us" This poignant tale of love, loss, and resilience has captivated readers with its raw and emotional exploration of domestic abuse. Hoover masterfully weaves a story of hope and healing, reminding us that even in the darkest of times, the human spirit can succeed. Uncover the Best : Taylor Jenkins Reids "The Seven Husbands of Evelyn Hugo" This intriguing historical fiction novel unravels the life of Evelyn Hugo, a Hollywood icon who defies expectations and societal norms to pursue her dreams. Reids absorbing storytelling and compelling characters transport readers to a bygone era, immersing them in a world of glamour, ambition, and self-discovery. Moment Distribution Method Study : Delia Owens "Where the Crawdads Sing" This evocative coming-of-age story follows Kya Clark, a young woman who grows up alone in the marshes of North Carolina. Owens crafts a tale of resilience, survival, and the transformative power of nature, entrancing readers with its evocative prose and mesmerizing setting. These bestselling novels represent just a fraction of the literary treasures that have emerged in 2023. Whether you seek tales of romance, adventure, or personal growth, the world of literature offers an abundance of captivating stories waiting to be discovered. The novel begins with Richard Papen, a bright but troubled young man, arriving at Hampden College. Richard is immediately drawn to the group of students who call themselves the Classics Club. The club is led by Henry Winter, a brilliant and charismatic young man. Henry is obsessed with Greek mythology and philosophy, and he quickly draws Richard into his world. The other members of the Classics Club are equally as fascinating. Bunny Corcoran is a wealthy and spoiled young man who is always looking for a good time. Charles Tavis is a quiet and reserved young man who is deeply in love with Henry. Camilla Macaulay is a beautiful and intelligent young woman who is drawn to the power and danger of the Classics Club. The students are all deeply in love with Morrow, and they are willing to do anything to please him. Morrow is a complex and mysterious figure, and he seems to be manipulating the students for his own purposes. As the students become more involved with Morrow, they begin to commit increasingly dangerous acts. The Secret History is a exceptional and thrilling novel that will keep you speculating until the very end. The novel is a cautionary tale about the dangers of obsession and the power of evil.

https://py.bijouxmedusa.com/About/detail/index.jsp/Creators_50_828_VPN_Services_Tutorial_United_States_50_143_VPN_Services.pdf

Table of Contents Moment Distribution Method Study

1. Understanding the eBook Moment Distribution Method Study
 - The Rise of Digital Reading Moment Distribution Method Study
 - Advantages of eBooks Over Traditional Books
2. Identifying Moment Distribution Method Study
 - Exploring Different Genres
 - Considering Fiction vs. Non-Fiction
 - Determining Your Reading Goals
3. Choosing the Right eBook Platform
 - Popular eBook Platforms
 - Features to Look for in an Moment Distribution Method Study
 - User-Friendly Interface
4. Exploring eBook Recommendations from Moment Distribution Method Study
 - Personalized Recommendations
 - Moment Distribution Method Study User Reviews and Ratings
 - Moment Distribution Method Study and Bestseller Lists
5. Accessing Moment Distribution Method Study Free and Paid eBooks
 - Moment Distribution Method Study Public Domain eBooks
 - Moment Distribution Method Study eBook Subscription Services
 - Moment Distribution Method Study Budget-Friendly Options
6. Navigating Moment Distribution Method Study eBook Formats
 - ePub, PDF, MOBI, and More
 - Moment Distribution Method Study Compatibility with Devices
 - Moment Distribution Method Study Enhanced eBook Features
7. Enhancing Your Reading Experience
 - Adjustable Fonts and Text Sizes of Moment Distribution Method Study
 - Highlighting and Note-Taking Moment Distribution Method Study
 - Interactive Elements Moment Distribution Method Study
8. Staying Engaged with Moment Distribution Method Study

- Joining Online Reading Communities
- Participating in Virtual Book Clubs
- Following Authors and Publishers Moment Distribution Method Study
- 9. Balancing eBooks and Physical Books Moment Distribution Method Study
 - Benefits of a Digital Library
 - Creating a Diverse Reading Collection Moment Distribution Method Study
- 10. Overcoming Reading Challenges
 - Dealing with Digital Eye Strain
 - Minimizing Distractions
 - Managing Screen Time
- 11. Cultivating a Reading Routine Moment Distribution Method Study
 - Setting Reading Goals Moment Distribution Method Study
 - Carving Out Dedicated Reading Time
- 12. Sourcing Reliable Information of Moment Distribution Method Study
 - Fact-Checking eBook Content of Moment Distribution Method Study
 - Distinguishing Credible Sources
- 13. Promoting Lifelong Learning
 - Utilizing eBooks for Skill Development
 - Exploring Educational eBooks
- 14. Embracing eBook Trends
 - Integration of Multimedia Elements
 - Interactive and Gamified eBooks

Moment Distribution Method Study Introduction

In today's digital age, the availability of Moment Distribution Method Study books and manuals for download has revolutionized the way we access information. Gone are the days of physically flipping through pages and carrying heavy textbooks or manuals. With just a few clicks, we can now access a wealth of knowledge from the comfort of our own homes or on the go. This article will explore the advantages of Moment Distribution Method Study books and manuals for download, along with some popular platforms that offer these resources. One of the significant advantages of Moment Distribution Method Study books and manuals for download is the cost-saving aspect. Traditional books and manuals can be costly,

especially if you need to purchase several of them for educational or professional purposes. By accessing Moment Distribution Method Study versions, you eliminate the need to spend money on physical copies. This not only saves you money but also reduces the environmental impact associated with book production and transportation. Furthermore, Moment Distribution Method Study books and manuals for download are incredibly convenient. With just a computer or smartphone and an internet connection, you can access a vast library of resources on any subject imaginable. Whether you're a student looking for textbooks, a professional seeking industry-specific manuals, or someone interested in self-improvement, these digital resources provide an efficient and accessible means of acquiring knowledge. Moreover, PDF books and manuals offer a range of benefits compared to other digital formats. PDF files are designed to retain their formatting regardless of the device used to open them. This ensures that the content appears exactly as intended by the author, with no loss of formatting or missing graphics. Additionally, PDF files can be easily annotated, bookmarked, and searched for specific terms, making them highly practical for studying or referencing. When it comes to accessing Moment Distribution Method Study books and manuals, several platforms offer an extensive collection of resources. One such platform is Project Gutenberg, a nonprofit organization that provides over 60,000 free eBooks. These books are primarily in the public domain, meaning they can be freely distributed and downloaded. Project Gutenberg offers a wide range of classic literature, making it an excellent resource for literature enthusiasts. Another popular platform for Moment Distribution Method Study books and manuals is Open Library. Open Library is an initiative of the Internet Archive, a non-profit organization dedicated to digitizing cultural artifacts and making them accessible to the public. Open Library hosts millions of books, including both public domain works and contemporary titles. It also allows users to borrow digital copies of certain books for a limited period, similar to a library lending system. Additionally, many universities and educational institutions have their own digital libraries that provide free access to PDF books and manuals. These libraries often offer academic texts, research papers, and technical manuals, making them invaluable resources for students and researchers. Some notable examples include MIT OpenCourseWare, which offers free access to course materials from the Massachusetts Institute of Technology, and the Digital Public Library of America, which provides a vast collection of digitized books and historical documents. In conclusion, Moment Distribution Method Study books and manuals for download have transformed the way we access information. They provide a cost-effective and convenient means of acquiring knowledge, offering the ability to access a vast library of resources at our fingertips. With platforms like Project Gutenberg, Open Library, and various digital libraries offered by educational institutions, we have access to an ever-expanding collection of books and manuals. Whether for educational, professional, or personal purposes, these digital resources serve as valuable tools for continuous learning and self-improvement. So why not take advantage of the vast world of Moment Distribution Method Study books and manuals for download and embark on your journey of knowledge?

FAQs About Moment Distribution Method Study Books

How do I know which eBook platform is the best for me? Finding the best eBook platform depends on your reading preferences and device compatibility. Research different platforms, read user reviews, and explore their features before making a choice. Are free eBooks of good quality? Yes, many reputable platforms offer high-quality free eBooks, including classics and public domain works. However, make sure to verify the source to ensure the eBook credibility. Can I read eBooks without an eReader? Absolutely! Most eBook platforms offer webbased readers or mobile apps that allow you to read eBooks on your computer, tablet, or smartphone. How do I avoid digital eye strain while reading eBooks? To prevent digital eye strain, take regular breaks, adjust the font size and background color, and ensure proper lighting while reading eBooks. What the advantage of interactive eBooks? Interactive eBooks incorporate multimedia elements, quizzes, and activities, enhancing the reader engagement and providing a more immersive learning experience. Moment Distribution Method Study is one of the best book in our library for free trial. We provide copy of Moment Distribution Method Study in digital format, so the resources that you find are reliable. There are also many Ebooks of related with Moment Distribution Method Study. Where to download Moment Distribution Method Study online for free? Are you looking for Moment Distribution Method Study PDF? This is definitely going to save you time and cash in something you should think about. If you trying to find then search around for online. Without a doubt there are numerous these available and many of them have the freedom. However without doubt you receive whatever you purchase. An alternate way to get ideas is always to check another Moment Distribution Method Study. This method for see exactly what may be included and adopt these ideas to your book. This site will almost certainly help you save time and effort, money and stress. If you are looking for free books then you really should consider finding to assist you try this. Several of Moment Distribution Method Study are for sale to free while some are payable. If you arent sure if the books you would like to download works with for usage along with your computer, it is possible to download free trials. The free guides make it easy for someone to free access online library for download books to your device. You can get free download on free trial for lots of books categories. Our library is the biggest of these that have literally hundreds of thousands of different products categories represented. You will also see that there are specific sites catered to different product types or categories, brands or niches related with Moment Distribution Method Study. So depending on what exactly you are searching, you will be able to choose e books to suit your own need. Need to access completely for Campbell Biology Seventh Edition book? Access Ebook without any digging. And by having access to our ebook online or by storing it on your computer, you have convenient answers with Moment Distribution Method Study To get started finding Moment Distribution Method Study, you are right to find our website which has a comprehensive collection of books online. Our library is the biggest of these that have literally hundreds of thousands of different products represented. You will also see that there are specific sites catered to different categories or niches related with Moment Distribution

Method Study So depending on what exactly you are searching, you will be able to choose ebook to suit your own need. Thank you for reading Moment Distribution Method Study. Maybe you have knowledge that, people have search numerous times for their favorite readings like this Moment Distribution Method Study, but end up in harmful downloads. Rather than reading a good book with a cup of coffee in the afternoon, instead they juggled with some harmful bugs inside their laptop. Moment Distribution Method Study is available in our book collection an online access to it is set as public so you can download it instantly. Our digital library spans in multiple locations, allowing you to get the most less latency time to download any of our books like this one. Merely said, Moment Distribution Method Study is universally compatible with any devices to read.

Find Moment Distribution Method Study :

creators 50-828 VPN services tutorial United States 50-143 VPN services explained United States 50-2505 affiliate marketing explained for

best practices for creators 50-1698 real estate investing best practices

trading trends for startups 50-1926 crypto trading tutorial United

Instagram growth apps for small business 50-1395 Instagram growth apps

startups 50-1878 career growth trends USA 50-677 career growth trends

minimalist lifestyle tips USA 50-1247 minimalist lifestyle tips for

entrepreneurs 50-1981 cybersecurity explained for small business 50-1624

50-2023 online business tools for entrepreneurs 50-1729 online business

income ideas checklist USA 50-1202 passive income ideas checklist for

growth roadmap for entrepreneurs 50-2233 Instagram growth roadmap for

tech step by step America 50-2779 smart home tech step by step United

income ideas tips for small business 50-740 passive income ideas tools

entrepreneurs 50-1596 Instagram growth ideas for small business 50-932

ideas comparison USA 50-337 small business ideas comparison United

Moment Distribution Method Study :

the complete peanuts 1973 1974 vol 12 paperback edition - Apr 29 2022

web the complete peanuts 1973 1974 also includes one of the all time classic peanuts

the complete peanuts 1973 1974 fantagraphics - Aug 02 2022

web nov 1 2012 the complete peanuts 1973 1974 volume 12 hardback charles m
the complete peanuts 1973 1974 volume 12 by schultz - Sep 03 2022

web sep 8 2009 the complete peanuts 1973 1974 vol 12 hardcover edition is part of the
the complete peanuts 1973 1974 vol 12 paperback edition - Oct 24 2021

web in these paperback reprints rerun van pelt born in our last volume takes his first
the complete peanuts 1973 1974 volume 12 hardcover - Jun 12 2023

web the complete peanuts 1973 1974 volume 12 hardcover 1 nov 2012 by charles m
the complete peanuts vol 12 1973 1974 amazon com - Jul 13 2023

web jan 1 2009 the complete peanuts vol 12 1973 1974 kindle comixology by
pdf the complete peanuts 1973 1974 volume 12 pdf free - Feb 08 2023

web the complete peanuts volume description the 12th volume of peanuts features a
the complete peanuts 1973 1974 volume 12 amazon it - Mar 29 2022

web the complete peanuts volume 12 1973 1974 vol 12 hardcover edition 0 schulz
the complete peanuts vol 12 1973 1974 kindle comixology - Nov 05 2022

web the complete peanuts vol 12 1973 1974 kindle comixology by charles schulz
the complete peanuts volume 12 1973 1974 ciltli kapak - Dec 26 2021

web complete peanuts 1973 1974 volume 12 volume 12 hardcover 1 december 2012
the complete peanuts 1973 1974 volume 12 hardback - Jul 01 2022

web the complete peanuts 1973 1974 vol 12 paperback nov 5 2019 by charles m
complete peanuts 1973 1974 volume 12 volume 12 hardcover - Nov 24 2021

web the complete peanuts 1973 1974 vol 12 paperback edition schulz charles m
the complete peanuts 1973 1974 vol 12 hardcover - Oct 04 2022

web buy the complete peanuts 1973 1974 volume 12 by schultz charles m november
the complete peanuts 1973 1974 vol 12 paperback - Mar 09 2023

web oct 22 2019 the complete peanuts 1973 1974 vol 12 paperback edition paperback
the complete peanuts 1973 1974 vol 12 amazon ca - May 31 2022

web the complete peanuts 1973 1974 vol 12 paperback edition softcover schulz
the complete peanuts volume 12 1973 1974 amazon com tr - May 11 2023

web the complete peanuts volume 12 1973 1974 schulz charles m king billie jean
the complete peanuts 1973 1974 vol 12 paperback edition - Jan 27 2022

web the complete peanuts volume 12 1973 1974 schulz charles m amazon com tr kitap
the complete peanuts volume 12 1973 1974 vol 12 - Feb 25 2022

web spread the love of reading with bookpeople s giving tree this year s tree benefits
the complete peanuts vol 12 1973 1974 by charles m schulz - Dec 06 2022

web the complete peanuts vol 12 1973 1974 by charles m schulz the complete
editions of the complete peanuts vol 12 1973 1974 by - Jan 07 2023

web editions for the complete peanuts vol 12 1973 1974 1606992864 hardcover
the complete peanuts 1973 1974 amazon com - Aug 14 2023

web sep 8 2009 the complete peanuts 1973 1974 also features all the favorite subjects
the complete peanuts 1973 1974 vol 12 paperback edition - Sep 22 2021

the complete peanuts 1973 1974 volume 12 by charles m - Apr 10 2023

web the complete peanuts 1973 1974 volume 12 by charles m schulz hardback
111 places in silicon valley that you must not miss - Jun 12 2023

web jun 10 2019 this insider s guide to silicon valley highlights 111 unique locations to explore in the famous tech capital
along the southern end of san francisco bay along
pdf 111 places in silicon valley that you must not miss 111 - Dec 26 2021

the top 10 things to see and do in silicon valley culture trip - Apr 29 2022

web may 6 2020 111 places in silicon valley that you must not miss 111 places in that you must not miss investigation can
be achieved immediately on the web these days
must see attractions in silicon valley california culture trip - Oct 04 2022

web sep 5 2023 the top attractions to visit in silicon valley near me today according to local experts are 1 san jose museum
of art 2 history san jose 3 baylands nature

111 places in silicon valley that you must not miss - Aug 14 2023

web this insider s guide to silicon valley highlights 111 unique locations to explore in the famous tech capital along with
accessible spots on the campuses of tech giants such
111 places in silicon valley that you must not mi download - Sep 22 2021

111 places in silicon valley that you must not mi - Nov 24 2021

111 places in silicon valley that you must not mi david b - Sep 03 2022

web may 19 2020 stanford shopping center is one of the top open air shopping and dining destinations in northern california bloomingdale s macy s and neiman marcus are

list of tourist attractions in silicon valley wikipedia - Nov 05 2022

web oct 7 2022 the rose garden neighborhood was once a hub for pear and prune orchards now this silicon valley neighborhood is littered with vintage cottages from the 1930s

25 best things to do in silicon valley vacationidea com - May 31 2022

web 111 places in silicon valley that you must not mi right here we have countless ebook 111 places in silicon valley that you must not mi and collections to check out we

111 places in silicon valley 111 places - Jul 13 2023

web 2 microserfs are striking out on their own living together in a shared digital flophouse as they desperately try to cultivate well rounded lives and find

111 places in silicon valley that you must not mi 2022 - Mar 29 2022

web merely said the 111 places in silicon valley that you must not mi is universally compatible bearing in mind any devices to read world without mind franklin foer 2017

111 places in silicon valley that you must not mi - Oct 24 2021

111 places in silicon valley that you must not mi full pdf - Feb 25 2022

web considering this 111 places in silicon valley that you must not mi but end taking place in harmful downloads rather than enjoying a good pdf taking into account a mug of

explore silicon valley cities visit silicon valley - Aug 02 2022

web 111 places in silicon valley that you must not mi sprawling places purpose work pray code 111 places in silicon valley that you must not mi 3 3 guides part of the

111 places in silicon valley that you must not miss - Feb 08 2023

web history park at kelley park willow glen south central san jose japanese american museum of san jose san jose little italy san jose san jose 6 mexican heritage

pdf 111 places in silicon valley that you must not mi - Mar 09 2023

web each silicon valley city features exciting attractions and unusual things to see and do discover the best things to do in silicon valley northern california from theme parks

the top 50 things to do in silicon valley northern california - Dec 06 2022

web our books collection hosts in multiple countries allowing you to get the most less latency time to download any of our books like this one kindly say the 111 places in silicon

111 places in silicon valley that you must not miss - Jan 27 2022

web 2 111 places in silicon valley that you must not miss 2022 09 05 and fact that where human senses strength power abilities knowledge and intelligence end goals

111 places in silicon valley that you must not miss - May 11 2023

web capacity of cities to adapt to a changing climate we focus on silicon valley where oak woodland replacement by agriculture and urbanization tells a story that has occurred in

111 places in silicon valley that you must not miss - Jan 07 2023

web oct 7 2022 silicon valley spans over 20 miles of parks museums culture mountains and of course technology with an endless number of things to do and see from

the coolest neighborhoods in silicon valley culture trip - Jul 01 2022

web 111 places in silicon valley that you must not miss fun works geek silicon valley national guide to funding for community development 50 great american places

111 places in silicon valley that you must not miss goodreads - Apr 10 2023

web this unique guidebook written by longtime local floriana petersen takes you on an insider's tour of 111 cool offbeat and very compelling places that offer insight into the

rage against the machine wikipedia - Oct 04 2023

web rage against the machine often abbreviated as ratm or shortened to rage is an american rock band from los angeles california formed in 1991 the group consists of vocalist zack de la rocha bassist and backing vocalist tim Commerford guitarist tom morello and drummer brad wilk

how the digital revolution is affecting employment - Dec 26 2022

web oct 26 2011 race against the machine a new book by mit sloan's erik brynjolfsson and andrew mcafee argues that while digital automation is accelerating innovation and driving productivity it's also transforming what kinds of jobs are secure

race against the machine financial times - Jul 21 2022

web oct 30 2011 race against the machine how the digital revolution is accelerating innovation driving productivity and irreversibly transforming employment and the economy by erik brynjolfsson and andrew

race against the machine stanford digital economy lab - Feb 25 2023

web race against the machine how the digital revolution is accelerating innovation driving productivity and irreversibly transforming employment and the economy erik brynjolfsson andrew mcafee january 23 2012 98 pages hardcover paperback

and

books erik brynjolfsson - Nov 24 2022

web race against the machine how the digital revolution is accelerating innovation driving productivity and irreversibly transforming employment and the economy by andrew mcafee author mit erik brynjolfsson author mit

pdf race against the machine semantic scholar - Sep 22 2022

web inproceedings brynjolfsson2011raceat title race against the machine how the digital revolution is accelerating innovation driving productivity and irreversibly transforming employment and the economy author erik brynjolfsson and andrew p mcafee year 2011 url

race against the machine getabstract - Aug 22 2022

web race against the machine how the digital revolution is accelerating innovation driving productivity and irreversibly transforming employment and the economy digital frontier press 2012 15 min read 10 take aways audio text what s inside a machine may soon take your job how can you stay relevant in today s workplace 1

can we win the race against the machines big think - Apr 17 2022

web december 12 2012 can we win the race against the machines when there is exponential improvement in the price and performance of technology jobs that were once thought to be immune from

race against the machine how the digital revolution is - May 19 2022

web oct 25 2011 race against the machine how the digital revolution is accelerating innovation driving productivity and irreversibly transforming employment and the economy erik brynjolfsson dr andrew p mcafee

rage against the machine killing in the name official hd - Jul 01 2023

web mar 26 2011 rage against the machine killing in the name official hd video official hd music video for killing in the name by rage against the machine listen to ratm

race against the machine how the digital revolution is - Oct 24 2022

web race against the machine how the digital revolution is accelerating innovation driving productivity and irreversibly transforming employment and the economy p cm isbn 978 0 9847251 0 6 1 technological innovations economic aspects i mcafee andrew ii title ebooks created by ebookconversion com

race against the machine how the digital revolution is - Aug 02 2023

web jan 23 2012 race against the machine how the digital revolution is accelerating innovation driving productivity and irreversibly transforming employment and the economy erik brynjolfsson andrew mcafee on amazon com free shipping on qualifying offers

race against the machine wikipedia - Sep 03 2023

web race against the machine is a non fiction book from 2011 by erik brynjolfsson and andrew mcafee about the interaction of digital technology employment and organization the full title of the book is race against the machine how the digital revolution is accelerating innovation driving productivity and irreversibly transforming

race against the machine how the digital revolution is - Mar 29 2023

web race against the machine how the digital revolution is accelerating innovation driving productivity and irreversibly transforming employment and the economy amazon co uk brynjolfsson erik mcafee andrew 9780984725113 books science nature maths engineering technology production manufacturing operational buy new 8 55

tom morello ice t usher rage against the machine into the - Mar 17 2022

web nov 4 2023 rage against the machine s tom morello was the lone member of the band at 2023 s rock and roll hall of fame induction ceremony this year and in the group s acceptance speech called for

home rage against the machine official site - Apr 29 2023

web rage against the machine to be inducted into rock roll hall of fame north american 2023 rage tour cancelled rage against the machine uk europe 2022 dates cancellation

race against the machine google books - Jan 27 2023

web in race against the machine mit s erik brynjolfsson and andrew mcafee present a very different explanation drawing on research by their team at the center for digital business they show that

race against the machine by erik brynjolfsson goodreads - May 31 2023

web oct 17 2011 race against the machine erik brynjolfsson andrew mcafee 3 91 2 005 ratings175 reviews why has median income stopped rising in the us why is the share of population that is working falling so rapidly why are our economy and society are becoming more unequal

innovation automation and inequality policy challenges in the race - Feb 13 2022

web dec 1 2020 the idea of labor substituting technological progress has been popularized by brynjolfsson and afee 2011 s book on another race the race against the machine brynjolfsson and mcafee claim that technological progress understood as automation makes people more innovative productive and richer but at the cost of increasing

rage against the machine members songs facts - Jun 19 2022

web jan 12 1970 rage against the machine american alternative rock band known for its incendiary political lyrics social activism and a hard driving sound that incorporated elements of hip hop and heavy metal as exemplified in killing in the name which addressed police corruption learn more about their music and impact