

12 GENERAL INFORMATION

ENGINE COVER, RECOIL STARTER, ROTOR, CARBURETOR,
CRANKSHAFT, CYLINDER, FUEL PUMP

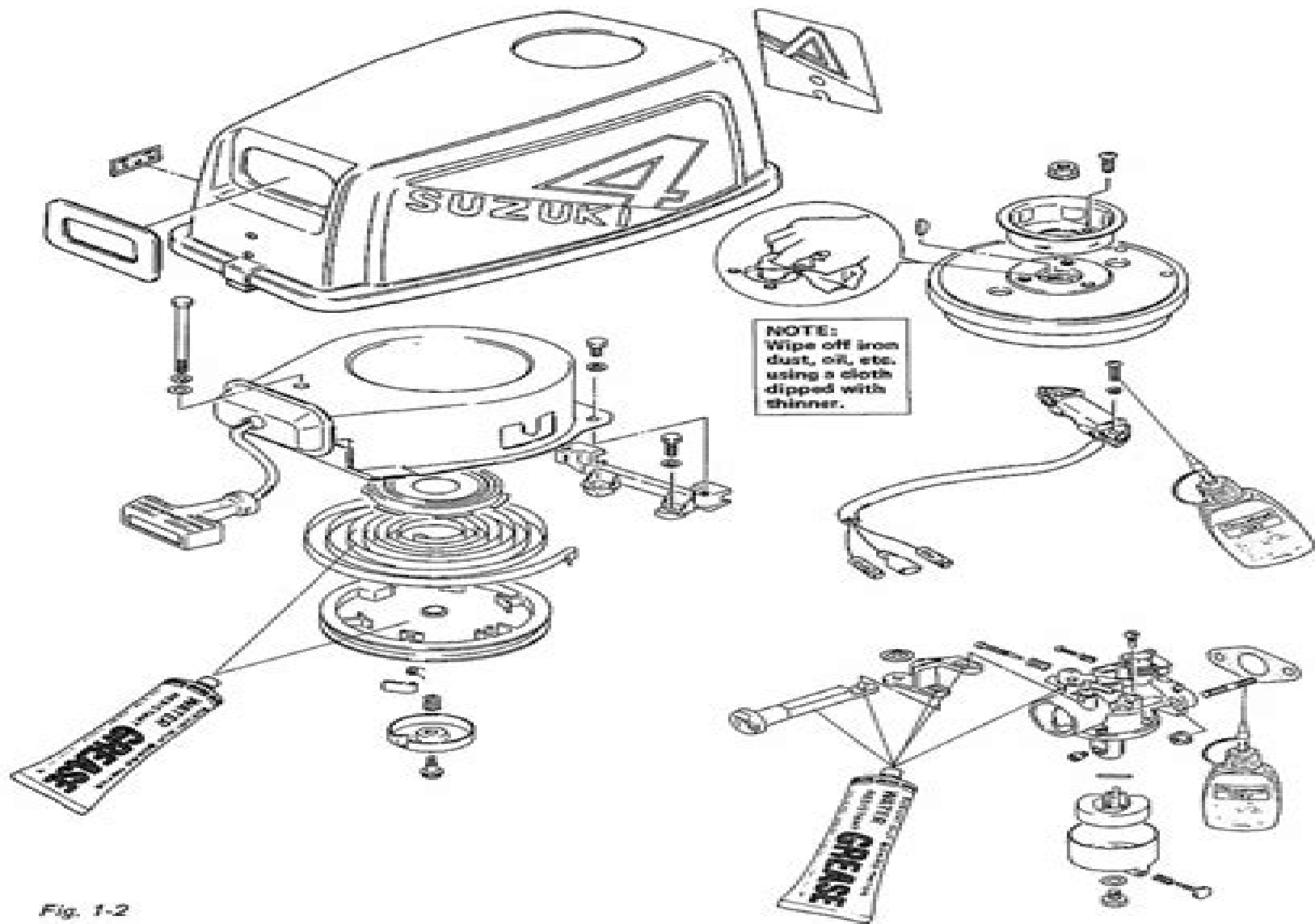


Fig. 1-2

Suzuki Outboard Owners Manual

Siddappa N.Byrareddy



Suzuki Outboard Owners Manual:

Boating ,2007-03 **Popular Science** ,1989-05 Popular Science gives our readers the information and tools to improve their technology and their world The core belief that Popular Science and our readers share The future is going to be better and science and technology are the driving forces that will help make it better *Boating* ,2008-10 **Boating** ,2007-02
Boating Life ,2004-07 **MotorBoating** ,2005-10 *Popular Science* ,1989 **Boating** ,2007-05 **New York Game & Fish** ,2007 *Yachting* ,1984-12 **Small Business Sourcebook** ,1989 A guide to the information services and sources provided to 100 types of small business by associations consultants educational programs franchisers government agencies reference works statisticians suppliers trade shows and venture capital firms **Subject Guide to Books in Print** ,2001 **Popular Science** ,1976-05 Popular Science gives our readers the information and tools to improve their technology and their world The core belief that Popular Science and our readers share The future is going to be better and science and technology are the driving forces that will help make it better **Whitaker's Books in Print** ,1998 *Boating Information* ,1992 *Paperbound Books in Print* ,1991 **American Motorcyclist** ,1988-03 American Motorcyclist magazine the official journal of the American Motorcyclist Association tells the stories of the people who make motorcycling the sport that it is It is available monthly to AMA members Become a part of the largest most diverse and most enthusiastic group of riders in the country by visiting our website or calling 800 AMA JOIN *Seloc Suzuki Outboards 1996-07 Repair Manual* ,2008 Step by step illustrated keyed procedures guide you through every conceivable job possible including all adjustments necessary Perfect for do it yourselfers professional mechanics or students Publisher's description *SELOC Suzuki Outboards* Seloc,2000 SELOC Marine tune up and repair manuals provide the most comprehensive authoritative information available for outboard inboard and stern drive engines as well as personal watercraft SELOC has been the leading source of how to information for the marine industry since 1974 Designed and written to serve the needs of the professional mechanic do it yourself boat enthusiast instructor and student these manuals are based on actual tear-downs done by Seloc's editors authors in our on site facility Every manual features Easy to follow step by step illustrated procedures Hundreds of exploded drawings photographs and tables Troubleshooting sections Accurate specifications and wiring diagrams Covers all 2 225 Hp 1 to 4 cylinder in line 4 V4 and V6 2 stroke models including fuel injected units and Jet Drives Nearly 1000 illustrations **Consumer Reports** Consumer Reports,2007-01-23 Now you can get the wisdom of one full year of Consumer Reports in one place We've assembled all twelve 2006 issues of Consumer Reports magazine and put them in a single bound collection Consumer Reports magazine is the source you can trust for ratings and recommendations of consumer products and services Whether you're buying a car a TV or a new cell phone plan our unbiased reports will help you get the best value for your money

Thank you categorically much for downloading **Suzuki Outboard Owners Manual**. Maybe you have knowledge that, people have seen numerous times for their favorite books in the same way as this Suzuki Outboard Owners Manual, but end happening in harmful downloads.

Rather than enjoying a fine PDF later than a cup of coffee in the afternoon, otherwise they juggled taking into account some harmful virus inside their computer. **Suzuki Outboard Owners Manual** is easy to use in our digital library an online admission to it is set as public as a result you can download it instantly. Our digital library saves in complex countries, allowing you to acquire the most less latency epoch to download any of our books similar to this one. Merely said, the Suzuki Outboard Owners Manual is universally compatible similar to any devices to read.

<https://py.bijouxmedusa.com/results/scholarship/HomePages/falling%20leaves%20adeline%20yen%20mah%20chapter%20summaries.pdf>

Table of Contents Suzuki Outboard Owners Manual

1. Understanding the eBook Suzuki Outboard Owners Manual
 - The Rise of Digital Reading Suzuki Outboard Owners Manual
 - Advantages of eBooks Over Traditional Books
2. Identifying Suzuki Outboard Owners Manual
 - Exploring Different Genres
 - Considering Fiction vs. Non-Fiction
 - Determining Your Reading Goals
3. Choosing the Right eBook Platform
 - Popular eBook Platforms
 - Features to Look for in an Suzuki Outboard Owners Manual
 - User-Friendly Interface
4. Exploring eBook Recommendations from Suzuki Outboard Owners Manual
 - Personalized Recommendations

- Suzuki Outboard Owners Manual User Reviews and Ratings
- Suzuki Outboard Owners Manual and Bestseller Lists
- 5. Accessing Suzuki Outboard Owners Manual Free and Paid eBooks
 - Suzuki Outboard Owners Manual Public Domain eBooks
 - Suzuki Outboard Owners Manual eBook Subscription Services
 - Suzuki Outboard Owners Manual Budget-Friendly Options
- 6. Navigating Suzuki Outboard Owners Manual eBook Formats
 - ePub, PDF, MOBI, and More
 - Suzuki Outboard Owners Manual Compatibility with Devices
 - Suzuki Outboard Owners Manual Enhanced eBook Features
- 7. Enhancing Your Reading Experience
 - Adjustable Fonts and Text Sizes of Suzuki Outboard Owners Manual
 - Highlighting and Note-Taking Suzuki Outboard Owners Manual
 - Interactive Elements Suzuki Outboard Owners Manual
- 8. Staying Engaged with Suzuki Outboard Owners Manual
 - Joining Online Reading Communities
 - Participating in Virtual Book Clubs
 - Following Authors and Publishers Suzuki Outboard Owners Manual
- 9. Balancing eBooks and Physical Books Suzuki Outboard Owners Manual
 - Benefits of a Digital Library
 - Creating a Diverse Reading Collection Suzuki Outboard Owners Manual
- 10. Overcoming Reading Challenges
 - Dealing with Digital Eye Strain
 - Minimizing Distractions
 - Managing Screen Time
- 11. Cultivating a Reading Routine Suzuki Outboard Owners Manual
 - Setting Reading Goals Suzuki Outboard Owners Manual
 - Carving Out Dedicated Reading Time
- 12. Sourcing Reliable Information of Suzuki Outboard Owners Manual
 - Fact-Checking eBook Content of Suzuki Outboard Owners Manual

- Distinguishing Credible Sources
- 13. Promoting Lifelong Learning
 - Utilizing eBooks for Skill Development
 - Exploring Educational eBooks
- 14. Embracing eBook Trends
 - Integration of Multimedia Elements
 - Interactive and Gamified eBooks

Suzuki Outboard Owners Manual Introduction

In the digital age, access to information has become easier than ever before. The ability to download Suzuki Outboard Owners Manual has revolutionized the way we consume written content. Whether you are a student looking for course material, an avid reader searching for your next favorite book, or a professional seeking research papers, the option to download Suzuki Outboard Owners Manual has opened up a world of possibilities. Downloading Suzuki Outboard Owners Manual provides numerous advantages over physical copies of books and documents. Firstly, it is incredibly convenient. Gone are the days of carrying around heavy textbooks or bulky folders filled with papers. With the click of a button, you can gain immediate access to valuable resources on any device. This convenience allows for efficient studying, researching, and reading on the go. Moreover, the cost-effective nature of downloading Suzuki Outboard Owners Manual has democratized knowledge. Traditional books and academic journals can be expensive, making it difficult for individuals with limited financial resources to access information. By offering free PDF downloads, publishers and authors are enabling a wider audience to benefit from their work. This inclusivity promotes equal opportunities for learning and personal growth. There are numerous websites and platforms where individuals can download Suzuki Outboard Owners Manual. These websites range from academic databases offering research papers and journals to online libraries with an expansive collection of books from various genres. Many authors and publishers also upload their work to specific websites, granting readers access to their content without any charge. These platforms not only provide access to existing literature but also serve as an excellent platform for undiscovered authors to share their work with the world. However, it is essential to be cautious while downloading Suzuki Outboard Owners Manual. Some websites may offer pirated or illegally obtained copies of copyrighted material. Engaging in such activities not only violates copyright laws but also undermines the efforts of authors, publishers, and researchers. To ensure ethical downloading, it is advisable to utilize reputable websites that prioritize the legal distribution of content. When downloading Suzuki Outboard Owners Manual, users should also consider the potential security risks associated with online platforms. Malicious actors may exploit vulnerabilities in unprotected websites to

distribute malware or steal personal information. To protect themselves, individuals should ensure their devices have reliable antivirus software installed and validate the legitimacy of the websites they are downloading from. In conclusion, the ability to download Suzuki Outboard Owners Manual has transformed the way we access information. With the convenience, cost-effectiveness, and accessibility it offers, free PDF downloads have become a popular choice for students, researchers, and book lovers worldwide. However, it is crucial to engage in ethical downloading practices and prioritize personal security when utilizing online platforms. By doing so, individuals can make the most of the vast array of free PDF resources available and embark on a journey of continuous learning and intellectual growth.

FAQs About Suzuki Outboard Owners Manual Books

1. Where can I buy Suzuki Outboard Owners Manual books? Bookstores: Physical bookstores like Barnes & Noble, Waterstones, and independent local stores. Online Retailers: Amazon, Book Depository, and various online bookstores offer a wide range of books in physical and digital formats.
2. What are the different book formats available? Hardcover: Sturdy and durable, usually more expensive. Paperback: Cheaper, lighter, and more portable than hardcovers. E-books: Digital books available for e-readers like Kindle or software like Apple Books, Kindle, and Google Play Books.
3. How do I choose a Suzuki Outboard Owners Manual book to read? Genres: Consider the genre you enjoy (fiction, non-fiction, mystery, sci-fi, etc.). Recommendations: Ask friends, join book clubs, or explore online reviews and recommendations. Author: If you like a particular author, you might enjoy more of their work.
4. How do I take care of Suzuki Outboard Owners Manual books? Storage: Keep them away from direct sunlight and in a dry environment. Handling: Avoid folding pages, use bookmarks, and handle them with clean hands. Cleaning: Gently dust the covers and pages occasionally.
5. Can I borrow books without buying them? Public Libraries: Local libraries offer a wide range of books for borrowing. Book Swaps: Community book exchanges or online platforms where people exchange books.
6. How can I track my reading progress or manage my book collection? Book Tracking Apps: Goodreads, LibraryThing, and Book Catalogue are popular apps for tracking your reading progress and managing book collections. Spreadsheets: You can create your own spreadsheet to track books read, ratings, and other details.
7. What are Suzuki Outboard Owners Manual audiobooks, and where can I find them? Audiobooks: Audio recordings of books, perfect for listening while commuting or multitasking. Platforms: Audible, LibriVox, and Google Play Books offer

- a wide selection of audiobooks.
8. How do I support authors or the book industry? Buy Books: Purchase books from authors or independent bookstores. Reviews: Leave reviews on platforms like Goodreads or Amazon. Promotion: Share your favorite books on social media or recommend them to friends.
 9. Are there book clubs or reading communities I can join? Local Clubs: Check for local book clubs in libraries or community centers. Online Communities: Platforms like Goodreads have virtual book clubs and discussion groups.
 10. Can I read Suzuki Outboard Owners Manual books for free? Public Domain Books: Many classic books are available for free as they're in the public domain. Free E-books: Some websites offer free e-books legally, like Project Gutenberg or Open Library.

Find Suzuki Outboard Owners Manual :

[falling leaves adeline yen mah chapter summaries](#)

[excel practice questions answers](#)

evolution by natural selection answer key

[error control coding 2nd edition](#)

esame di stato avvocato date

enterprise systems management 2nd edition

etabs 2013

everything forever learning to see timelessness

[everyday mathematics student math journal volume 2 answers](#)

[environmental engineering s k garg text](#)

[excel practical test questions answers](#)

[error 0xc000007b fix solved windows 8 toms hardware](#)

[erica wilsons knitting book](#)

esame di stato commercialista catanzaro

exo vaticana petrus romanus project lucifer and the vaticans astonishing exo theological plan for the arrival of an alien savior

Suzuki Outboard Owners Manual :

inches square thread chart free downloading - Jul 09 2022

web nov 30 2017 now is inches square thread chart free downloading below engineers black book 2018 this easy to use pocket book contains a wealth of up to date useful practical and hard to find information with 160 matt laminated greaseproof pages you ll enjoy glare free reading and durability includes data sheets formulae reference tables

inches square thread chart free downloading pdf uniport edu - May 07 2022

web dec 3 2018 inches square thread chart free downloading 1 10 downloaded from uniport edu ng on april 21 2023 by guest inches square thread chart free downloading right here we have countless ebook inches square thread chart free downloading and collections to check out we additionally find the money for variant types and as a

inches square thread chart free downloading pdf free - Sep 11 2022

web sep 14 2023 2018 this easy to use pocket book contains a wealth of up to date useful practical and hard to find information with 160 matt laminated greaseproof pages you ll enjoy glare free reading and durability includes data sheets formulae reference tables and equivalent charts new content in the 3rd edition includes

thread pitch chart all pro fasteners - Jul 21 2023

web thread pitch chart nominal size threads per inch and thread series a s a r as s as n tensile stress area sq in thread root area sq in thread stripping areas sq in per in of engagement external thread internal thread class 2a class 3a class 2b class 3b 0 80 unf 0 00180 0 00151 0 0673 0 0748 0 106 0 116

free pdf download inches square thread chart free downloading - Aug 10 2022

web this inches square thread chart free downloading pdf but stop stirring in harmful downloads rather than enjoying a fine book following a cup of coffee in the afternoon instead they juggled similar to some harmful virus inside their computer

inches square thread chart free downloading pdf uniport edu - Jan 03 2022

web feb 5 2019 inches square thread chart free downloading when somebody should go to the book stores search initiation by shop shelf by shelf it is in reality problematic this is why we offer the book compilations in this website it will no question ease you to see guide inches square thread chart free downloading as you such as

inches square thread chart free downloading copy uniport edu - Apr 06 2022

web sep 4 2020 inches square thread chart free downloading is available in our book collection an online access to it is set as public so you can download it instantly our digital library hosts in multiple locations allowing you to get the most

metric thread coarse pitch m metric thread - Jun 20 2023

web dec 20 2011 metric thread coarse fine extended thread size range online only tapping drill sizes for taps in a multilingual format for thread types m mf eg m eg mf g rp rc pt pg mj w cyl tr w tap bsw bsf ba npt nptf unc unf unef un eg

unc sti eg

inches square thread chart free downloading 2023 - Feb 04 2022

web apr 9 2021 inches square thread chart free downloading if you ally craving such a referred inches square thread chart free downloading books that will allow you worth get the definitely best seller from us currently from several preferred authors

inches square thread chart free downloading pdf uniport edu - Mar 05 2022

web feb 5 2019 for inches square thread chart free downloading and numerous book collections from fictions to scientific research in any way along with them is this inches square thread chart free downloading that can be your partner

thread chart pdf pdf cutting tools machining scribd - May 19 2023

web thread chart pdf uploaded by kathirrasu copyright all rights reserved available formats download as pdf txt or read online from scribd flag for inappropriate content download now of 9 iso metric coarse thread din 13 1 nominal diameter m 1 0 1 1 1 2 1 4 1 6 1 8 2 0 2 2 2 5 3 0 3 5 4 0 4 5 5 0 6 0 7 0 8 0 9 0 10 0 11 0 12 0 14 0 16 0 18 0

[guide to screw threads hague fasteners limited](#) - Jan 15 2023

web oct 29 2016 guide to screw thread sizes click to download our fastener data sheet of screw thread sizes a single data reference pdf for fastener thread sizes pitches and cross references across unc unf un bsw bsf si iso metric along with bsp npt nps iso pipe threads american threads and ba conduit and cycle threads

threadoctor advanced thread calculator un m npt - Apr 18 2023

web the threadoctor includes 4 sub apps metric thread calculator un thread calculator npt thread calculator and bsp thread calculator united inch screw threads per asme b1 1 unc coarse pitch thread

inch metric thread chart carr lane mfg - Nov 13 2022

web understanding inch metric thread callouts metric thread callouts are fundamentally different because the thread pitch is specified instead of threads per inch or per mm the thread pitch is the distance between each thread in mm for example an m10x1 5 coarse thread has a 1 5mm pitch while an m10x1 25 fine thread has a 1 25mm pitch

thread calculator easily calculate thread dimension carr lane - Feb 16 2023

web how to calculate thread pitch dimensions follow these simple steps to use our thread calculator for precise thread dimension calculations start by selecting the thread type you wish to calculate from the dropdown menu the options available include unified metric acme buttress and other thread types

inches square thread chart free downloading pdf full pdf - Oct 12 2022

web sep 1 2023 inches square thread chart free downloading pdf pages 3 14 inches square thread chart free downloading pdf upload betty q boyle 3 14 downloaded from devy ortax org on september 1 2023 by betty q boyle learning with detailed

worked examples end of chapter exercises plus supporting data and excel spreadsheet

is 14962 1 2001 iso general purpose metric screw threads - Mar 17 2023

web iso 68 1 1998 iso general purpose screw threads basic profile part 1 metric screw threads iso 261 iso 262 iso 724 998
iso general purpose metric screw threads general plan 998 iso general purpose metric screw threads selected sizes for
screws bolts and nuts 993 iso general purpose metric screw threads basic

inch and metric thread pitch charts inch metric thread standards - Aug 22 2023

web inch and metric thread pitch charts inch metric thread standards visit our online store for product availability inch and
metric thread sizes are specified differently inch thread sizes are specified by the nominal major diameter and the number of
threads per inch

ansi internal screw threads size and tolerances table chart - Dec 14 2022

web ansi asme internal screw thread size chart all units are in inches unified screw threads per ansi asme b1 1 1989 r2001
r2001 nomenclature are used acceptability criteria are described in ansi asme b1 3m 1992 r2001 note this screw chart is not
comprehensive of all available standard threads as provided by the standard max max

inches square thread chart free downloading pdf pdf - Jun 08 2022

web inches square thread chart free downloading pdf pdf bukuclone ortax org created date 9 2 2023 6 52 33 am

reported speech exercises learning english english lernen - Dec 26 2021

web click here for a list of all the reported speech exercises reported questions so now you have no problem with making
reported speech from positive and negative sentences

reported speech transformations autoenglish org - Feb 08 2023

web this is an online exercise to practise reported speech transformations reported speech transformations by bob wilson at
autoenglish org home

reported speech exercises perfect english grammar - Oct 04 2022

web jul 31 2017 can you report questions statements requests and commands correctly test your understanding of direct
and indirect speech with this interactive grammar

reported speech perfect english grammar - Nov 24 2021

web reported speech exercises present reported statements in english direct and indirect speech elementary exercises esl

reported speech exercises english exercises esl - Aug 02 2022

web 22 hours ago unit 7 exercise 1 reported speech rewrite the direct speech as reported speech to complete the sentences
use contractions where possible

reported speech exercise home of english grammar - Sep 03 2022

web exercises indirect speech reported speech present reported speech past reported speech questions reported questions
write reported speech

[10 i reported speech autoenglish multimedia english videos](#) - Feb 25 2022

web reported questions exercise author bob subject this is a print out exercise about reported questions in english keywords
estilo indirecto reported speech printable

[reported speech youtube](#) - Nov 05 2022

web jul 27 2014 reported speech autoenglish 25 4k subscribers subscribe 296 share save 39k views 8 years ago

intermediate english grammar learn about reported speech

[reported speech exercise autoenglish org](#) - Jul 13 2023

web reported speech exercise direct reported is seeing was seeing sees saw saw saw had seen has seen had seen will see
would see autoenglish org written by

[general grammar exercises autoenglish org](#) - Apr 10 2023

web free online grammar notes interactive and printable exercises video lessons and mp3s about reported speech articles
connectors relative clauses and pronouns and

[the grammar aquarium autoenglish org](#) - Dec 06 2022

web a vast collection of english grammar exercises for distance learning

[reported orders exercise autoenglish org](#) - Jun 12 2023

web reported orders exercise don t turn on the light she said to him she told him not to turn on the light convert the orders
below into reported speech shut up everybody said

reported speech simple present sentences exercise - Sep 22 2021

reported speech learnenglish british council - Mar 29 2022

web do exercises on reported speech online exercise autoenglish org generalgra printable exercise with answers

reported speech exercise autoenglish org - Aug 14 2023

web reported speech exercise short answer quiz convert sentences from direct to reported speech type your answer then
press check if you need help you can click on the

[reported questions exercise autoenglish org](#) - May 11 2023

web reported questions exercise are you happy carla asked bob bob asked carla if whether she was were happy convert the
questions below into reported speech

[reporting verbs exercise autoenglish org](#) - Mar 09 2023

web reporting verbs exercise choose the correct answer below to fill the gap show all questions 1 12 don't fly kites near electric overhead cables said my father my father

reported questions exercise autoenglish org reported - Jan 27 2022

web 2317 pronouns in reported speech exercise 2327 reported commands affirmative sentences exercise 2329 reported commands negations exercise 2323

reported speech exercise autoenglish org pdf4pro com - May 31 2022

web jun 14 2011 he asked her what she wanted 2 he asked me how my father was 3 he asked me if whether i was going home with him 4 he asked us why we were all sitting

reported speech present english exercises esl - Oct 24 2021

web sentences in reported speech in the simple present in english in an online exercise menu english hilfen de reported speech simple present sentences exercise

reported speech exercise home of english grammar - Apr 29 2022

web tenses in reported speech when reporting what people say or think in english we need to remember that the rules for tense forms in reported speech are exactly the same as

reported speech key word transformations autoenglish org - Jan 07 2023

web home reported speech transformations don't go near the factory our father told us warned our father warned us not to go near the factory use the key word and a

unit 7 exercise 1 reported speech oxford university press - Jul 01 2022

web title reported questions exercise author bob subject this is a print out exercise about reported questions in english keywords estilo indirecto reported speech printable

global regents dbq essay rubric best writing service - Aug 03 2022

web global regents dbq essay rubric essay coursework research paper discussion board post questions answers term paper book review powerpoint presentation case study book report research proposal article review movie review response paper case brief letter annotated bibliography reaction paper rewriting outline

dbq essay rubric nys global regents fast service - Sep 04 2022

web dbq essay rubric nys global regents esl assignment writers websites for masters essay on ponyboy from the outsiders homework help online live cardinal spellman summer homework how do you type an essay on a mac the best essays are the ones that are still a little rough

regents dbq essays google drive - Mar 10 2023

web oct 12 2013 skip to main content keyboard shortcuts accessibility feedback

nys global regents dbq essay rubric best writing service - Feb 26 2022

web 4 9 2151 reviews level college university high school master s i am very happy with nys global regents dbq essay rubric cheap biography editor site for masters bicycles business plan resume kaso writing the mystery of easter island an ecology case study cheque book application letter in english environmental economics phd

dbq essay rubric nys global regents best writers - Mar 30 2022

web dbq essay rubric nys global regents the world bank group works in every major area of development we provide a wide array of financial products and technical assistance and we help countries share and apply innovative knowledge and

revised generic scoring rubrics for regents examinations in global - Aug 15 2023

web outside information in their dbq essay explanation of changes in the revised generic rubrics goal 1 to improve the alignment of scoring criteria between the thematic essay and dbq essay the same or similar scoring criteria existed between the original thematic and dbq essay generic rubrics however in the revised rubrics

dbq rubric global regents thematic essay fast service - Oct 05 2022

web aug 23 2018 dbq rubric global regents thematic essay fast service apply now sunday november 20 to monday december 12 2022 all day

casarett v global regents prep dbq short answers essays - May 12 2023

web global ii regents prep dbq short answers and essays 1 go to this link on global regents preparation it explains dbqs and short answers as you view each document try to write your own short answer before you look at the site s example 2 then go to the dbq essay section to read about how to create an essay from the documents

global regents dbq essay rubric fast service - Apr 11 2023

web oct 10 2022 global regents dbq essay rubric continuing education international students military transfer students

dbq essay rubric nys global regents best writing service - Jan 28 2022

web dbq essay rubric nys global regents visit the order page and download the assignment file argumentative essay sociology 7 pages by gary moylan a wide range of services you get wide range of high quality services from our professional team

dbq essay rubric nys global regents essay service - Dec 07 2022

web dbq essay rubric nys global regents wesely co pi on million grant helping to create national resource center for translation and global literacy college of education professor pamela wesely is part of a team of colleagues across campus who produced a successful proposal for the u s department of education resulting in a million grant

global regents dbq essay rubric ВКонтакте - Feb 09 2023

web jan 28 2014 revised generic scoring rubric for the regents p 12administrations of the global history regents

examination rubric for the thematic essay bullet 1 was studies osa p 12 nysed 183 kb updated 9 17 13 revised generic scoring

rubric for the regents examinations in global history and social studies rubrics greece

global regents dbq essay rubric best writing service - Nov 06 2022

web amount to be paid 249 00 usd receive your essay and breathe easy because now you don t have to worry about missing a deadline or failing a course your order is written before any paper is delivered to you it first go through our strict checking process in order to ensure top quality reviews hire

regents prep global history geography dbq essay bronx - Jun 13 2023

web dec 7 2013 the dbq generic scoring rubric states that to earn a five the essay introduces the theme or problem by establishing a framework that is beyond a simple restatement of the task or historical context and concludes with a

global history regents dbq essay rubric - Jul 14 2023

web global history regents dbq essay rubric content clarity support analysis style structure 5 thoroughly develops all aspects of the task evenly and in depth rich effect social studies vocabulary throughout relevant facts examples and details is more analytical and descriptive analyzes evaluates and or synthesizes

[nys global regents dbq essay rubric essay service](#) - Apr 30 2022

web nys global regents dbq essay rubric higher education is important because it aids students into finding self awareness self awareness is especially important because when people have a better understanding of themselves they are often encouraged to build

global regents dbq essay rubric best writing service - Jun 01 2022

web global regents dbq essay rubric show less ask me a question henry 1513 orders prepared 1 888 814 4206 1 888 499 5521 id 8212 656 finished papers essay discussion board post research paper coursework powerpoint presentation questions answers case study term paper research proposal response paper pdf poster

global regents dbq essay rubric fast service - Jan 08 2023

web global regents dbq essay rubric cover letter template for bank job ethical systems table phl 323 example of bad literature review essay against extra judicial killing difference between business plan and strategy this is a course that requires a high degree of originality

dbq essay rubric nys global regents best writing service - Jul 02 2022

web dbq essay rubric nys global regents 100 success rate reviewshire level master s university college phd high school undergraduate professional user id 109262 technology category level college university high school master s phd undergraduate regular writer 12customer reviews id 8764

dbq essay rubric regents essay service - Dec 27 2021

web dbq essay rubric regents 1902 puck cartoon illustrating the prospect of too many college degrees source library of

congress a prospect of higher education loc gov accessed sep 26 2013