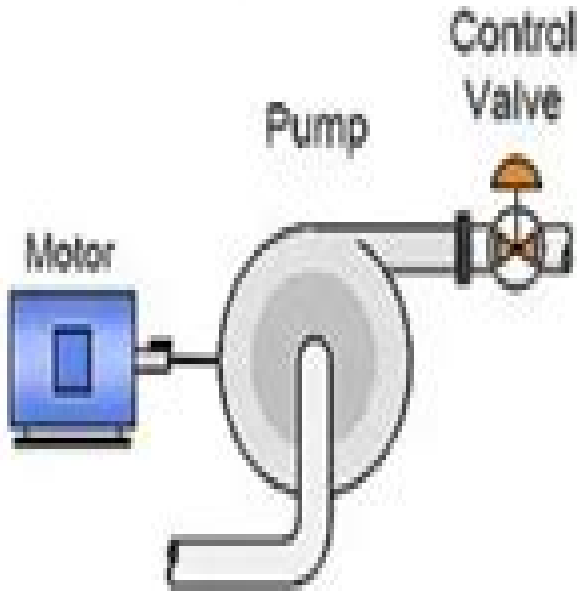
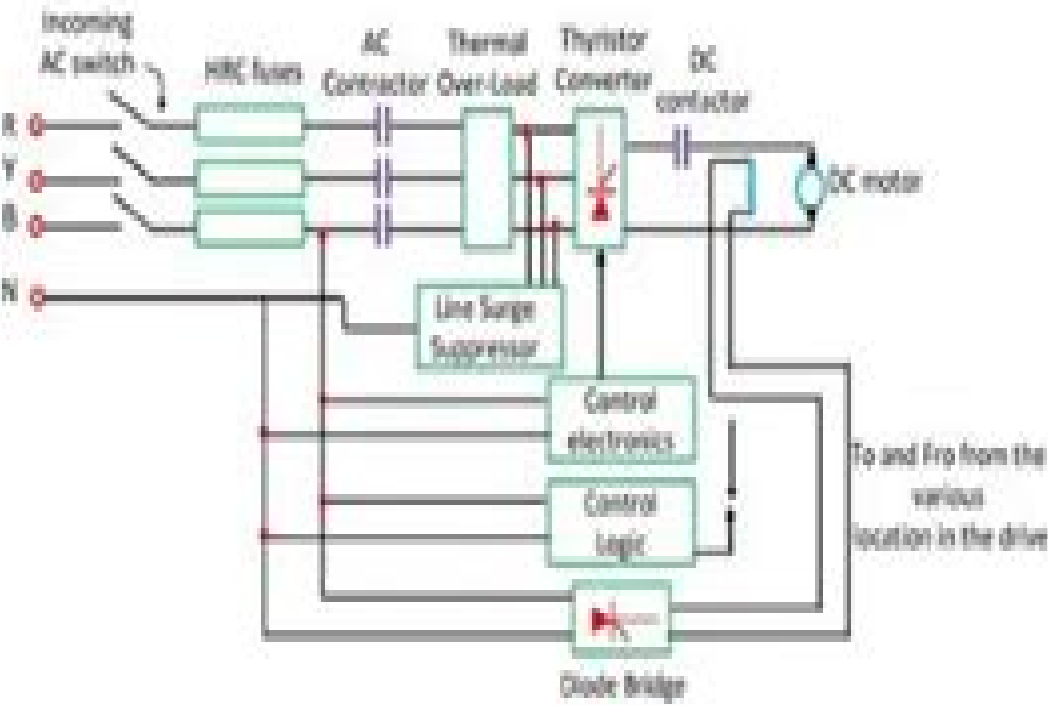
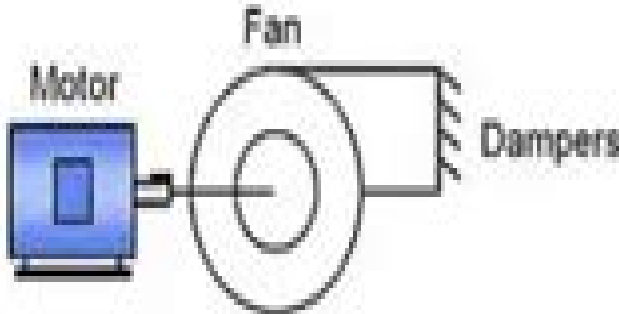


How Electrical Drives Are Controlled



Electrical 4 U

Basic Electrical Drives And Control

Lester Gray French



Basic Electrical Drives And Control:

Electrical Machine Drives Control Juha Pyrhonen,Valeria Hrabovcova,R. Scott Semken,2016-10-03 This comprehensive text examines existing and emerging electrical drive technologies The authors clearly define the most basic electrical drive concepts and go on to explain the most important details while maintaining a solid connection to the theory and design of the associated electrical machines Also including links to a number of industrial applications the authors take their investigation of electrical drives beyond theory to examine a number of practical aspects of electrical drive control and application Key features Provides a comprehensive summary of all aspects of controlled speed electrical drive technology including control and operation Handling of electrical drives is solidly linked to the theory and design of the associated electrical machines Added insight into problems and functions are illustrated with clearly understandable figures Offers an understanding of the main phenomena associated with electrical machine drives Considers the problem of bearing currents and voltage stresses of an electrical drive Includes up to date theory and design guidelines taking into account the most recent advances This book s rigorous coverage of theoretical principles and techniques makes for an excellent introduction to controlled speed electrical drive technologies for Electrical Engineering MSc or PhD students studying electrical drives It also serves as an excellent reference for practicing electrical engineers looking to carry out design analyses and development of controlled speed electrical drives

Electrical Machine Drives Control Juha Pyrhonen,Valeria Hrabovcova,R. Scott Semken,2016-11-14 This comprehensive text examines existing and emerging electrical drive technologies The authors clearly define the most basic electrical drive concepts and go on to explain the most important details while maintaining a solid connection to the theory and design of the associated electrical machines Also including links to a number of industrial applications the authors take their investigation of electrical drives beyond theory to examine a number of practical aspects of electrical drive control and application Key features Provides a comprehensive summary of all aspects of controlled speed electrical drive technology including control and operation Handling of electrical drives is solidly linked to the theory and design of the associated electrical machines Added insight into problems and functions are illustrated with clearly understandable figures Offers an understanding of the main phenomena associated with electrical machine drives Considers the problem of bearing currents and voltage stresses of an electrical drive Includes up to date theory and design guidelines taking into account the most recent advances This book s rigorous coverage of theoretical principles and techniques makes for an excellent introduction to controlled speed electrical drive technologies for Electrical Engineering MSc or PhD students studying electrical drives It also serves as an excellent reference for practicing electrical engineers looking to carry out design analyses and development of controlled speed electrical drives

Process Control Béla G. Lipták,2013-10-02 Instrument Engineers Handbook Third Edition Process Control provides information pertinent to control hardware including transmitters controllers control valves displays and computer systems This book presents the control theory and shows how the unit processes of distillation and

chemical reaction should be controlled Organized into eight chapters this edition begins with an overview of the method needed for the state of the art practice of process control This text then examines the relative merits of digital and analog displays and computers Other chapters consider the basic industrial annunciators and other alarm systems which consist of multiple individual alarm points that are connected to a trouble contact a logic module and a visual indicator This book discusses as well the data loggers available for process control applications The final chapter deals with the various pump control systems the features and designs of variable speed drives and the metering pumps This book is a valuable resource for engineers

Applied Control of Electrical Drives Duco W. J. Pulle,Pete Darnell,André Veltman,2015-09-17 Provides an overall understanding of all aspects of AC electrical drives from the motor and converter to the implemented control algorithm with minimum mathematics needed Demonstrates how to implement and debug electrical drive systems using a set of dedicated hardware platforms motor setup and software tools in VisSim™ and PLECS™ No expert programming skills required allowing the reader to concentrate on drive development Enables the reader to undertake real time control of a safe low voltage and low cost experimental drive This book puts the fundamental and advanced concepts behind electric drives into practice Avoiding involved mathematics whenever practical this book shows the reader how to implement a range of modern day electrical drive concepts without requiring in depth programming skills It allows the user to build and run a series of AC drive concepts ranging from very basic drives to sophisticated sensorless drives Hence the book is the only modern resource available that bridges the gap between simulation and the actual experimental environment Engineers who need to implement an electrical drive or transition from sensed to sensorless drives as well as students who need to understand the practical aspects of working with electrical drives will greatly benefit from this unique reference

Control of Electrical Drives Werner Leonhard,2012-12-06 Electrical drives play an important part as electromechanical energy converters in transportation materials handling and most production processes This book presents a unified treatment of complete electrical drive systems including the mechanical parts electrical machines and power converters and control Since it was first published in 1985 the book has found its way onto many desks in industry and universities all over the world For the second edition the text has been thoroughly revised and updated with the aim of offering the reader a general view of the field of controlled electrical drives which are maintaining and extending their importance as the most flexible source of controlled mechanical energy

Sliding Mode Control for Synchronous Electric Drives Sergey E. Ryvkin,Eduardo Palomar Lever,2011-11-21 This volume presents the theory of control systems with sliding mode applied to electrical motors and power converters It demonstrates the methodology of control design and the original algorithms of control and observation Practically all semiconductor devices are used in power converters that feed electrical motors as power switches A switch

Instrument Engineers' Handbook,(Volume 2) Third Edition Bela G. Liptak,1995-05-15 This third edition of the Instrument Engineers Handbook most complete and respected work on process instrumentation and control helps you

Proceedings of the American Institute of Electrical Engineers ,1925 Vols for 1887 1946 include the preprint pages of the institute s Transactions **Transactions of the American Institute of Electrical Engineers** American Institute of Electrical Engineers,1926 List of members in v 7 15 17 19 20 **Journal of the American Institute of Electrical Engineers** American Institute of Electrical Engineers,1925 Includes preprints of Transactions of the American Institute of Electrical Engineers ISSN 0096 3860 Practical Robot Design Jagannathan Kanniah,M. Fikret Ercan,Carlos A. Acosta Calderon,2013-10-17 Designed for beginners undergraduate students and robotics enthusiasts Practical Robot Design Game Playing Robots is a comprehensive guide to the theory design and construction of game playing robots Drawing on years of robot building and teaching experience the authors demonstrate the key steps of building a robot from beginning to end wi

Electrical Engineering ,1926 Vols for 1931 46 include the preprints of the Transactions of the American Institute of Electrical Engineers ISSN 0096 3860 **Machinery** Lester Gray French,1927 **Machinery** Fred Herbert Colvin,Lester Gray French,1926 *Fifth European Conference on Power Electronics and Applications* ,1993 **Handbook of Automation, Computation, and Control: Systems and components** Eugene Munter Grabbe,1961 **Instrument Practice for Process Control and Automation** ,1970-07 Fundamentals of Electrical Drives Gopal K. Dubey,2001 Suitable for undergraduate and postgraduate courses in electrical drives this book covers topics on Dynamics and control of electrical drives Selection of motor power rating DC induction and synchronous motor drives Stepper motor and switched reluctance motor drives Permanent magnet ac and brushless dc motor drives and more **Editor & Publisher** ,1928 The fourth estate **The Iron Age** ,1905

Discover tales of courage and bravery in its empowering ebook, **Basic Electrical Drives And Control** . In a downloadable PDF format (PDF Size: *), this collection inspires and motivates. Download now to witness the indomitable spirit of those who dared to be brave.

https://py.bijouxmedusa.com/results/uploaded-files/index.jsp/united_states_73_2280_budget_travel_for_beginners_america_73_2163_budget.pdf

Table of Contents Basic Electrical Drives And Control

1. Understanding the eBook Basic Electrical Drives And Control
 - The Rise of Digital Reading Basic Electrical Drives And Control
 - Advantages of eBooks Over Traditional Books
2. Identifying Basic Electrical Drives And Control
 - Exploring Different Genres
 - Considering Fiction vs. Non-Fiction
 - Determining Your Reading Goals
3. Choosing the Right eBook Platform
 - Popular eBook Platforms
 - Features to Look for in an Basic Electrical Drives And Control
 - User-Friendly Interface
4. Exploring eBook Recommendations from Basic Electrical Drives And Control
 - Personalized Recommendations
 - Basic Electrical Drives And Control User Reviews and Ratings
 - Basic Electrical Drives And Control and Bestseller Lists
5. Accessing Basic Electrical Drives And Control Free and Paid eBooks
 - Basic Electrical Drives And Control Public Domain eBooks
 - Basic Electrical Drives And Control eBook Subscription Services
 - Basic Electrical Drives And Control Budget-Friendly Options

6. Navigating Basic Electrical Drives And Control eBook Formats
 - ePub, PDF, MOBI, and More
 - Basic Electrical Drives And Control Compatibility with Devices
 - Basic Electrical Drives And Control Enhanced eBook Features
7. Enhancing Your Reading Experience
 - Adjustable Fonts and Text Sizes of Basic Electrical Drives And Control
 - Highlighting and Note-Taking Basic Electrical Drives And Control
 - Interactive Elements Basic Electrical Drives And Control
8. Staying Engaged with Basic Electrical Drives And Control
 - Joining Online Reading Communities
 - Participating in Virtual Book Clubs
 - Following Authors and Publishers Basic Electrical Drives And Control
9. Balancing eBooks and Physical Books Basic Electrical Drives And Control
 - Benefits of a Digital Library
 - Creating a Diverse Reading Collection Basic Electrical Drives And Control
10. Overcoming Reading Challenges
 - Dealing with Digital Eye Strain
 - Minimizing Distractions
 - Managing Screen Time
11. Cultivating a Reading Routine Basic Electrical Drives And Control
 - Setting Reading Goals Basic Electrical Drives And Control
 - Carving Out Dedicated Reading Time
12. Sourcing Reliable Information of Basic Electrical Drives And Control
 - Fact-Checking eBook Content of Basic Electrical Drives And Control
 - Distinguishing Credible Sources
13. Promoting Lifelong Learning
 - Utilizing eBooks for Skill Development
 - Exploring Educational eBooks
14. Embracing eBook Trends
 - Integration of Multimedia Elements

- Interactive and Gamified eBooks

Basic Electrical Drives And Control Introduction

Free PDF Books and Manuals for Download: Unlocking Knowledge at Your Fingertips In today's fast-paced digital age, obtaining valuable knowledge has become easier than ever. Thanks to the internet, a vast array of books and manuals are now available for free download in PDF format. Whether you are a student, professional, or simply an avid reader, this treasure trove of downloadable resources offers a wealth of information, conveniently accessible anytime, anywhere. The advent of online libraries and platforms dedicated to sharing knowledge has revolutionized the way we consume information. No longer confined to physical libraries or bookstores, readers can now access an extensive collection of digital books and manuals with just a few clicks. These resources, available in PDF, Microsoft Word, and PowerPoint formats, cater to a wide range of interests, including literature, technology, science, history, and much more. One notable platform where you can explore and download free Basic Electrical Drives And Control PDF books and manuals is the internet's largest free library. Hosted online, this catalog compiles a vast assortment of documents, making it a veritable goldmine of knowledge. With its easy-to-use website interface and customizable PDF generator, this platform offers a user-friendly experience, allowing individuals to effortlessly navigate and access the information they seek. The availability of free PDF books and manuals on this platform demonstrates its commitment to democratizing education and empowering individuals with the tools needed to succeed in their chosen fields. It allows anyone, regardless of their background or financial limitations, to expand their horizons and gain insights from experts in various disciplines. One of the most significant advantages of downloading PDF books and manuals lies in their portability. Unlike physical copies, digital books can be stored and carried on a single device, such as a tablet or smartphone, saving valuable space and weight. This convenience makes it possible for readers to have their entire library at their fingertips, whether they are commuting, traveling, or simply enjoying a lazy afternoon at home. Additionally, digital files are easily searchable, enabling readers to locate specific information within seconds. With a few keystrokes, users can search for keywords, topics, or phrases, making research and finding relevant information a breeze. This efficiency saves time and effort, streamlining the learning process and allowing individuals to focus on extracting the information they need. Furthermore, the availability of free PDF books and manuals fosters a culture of continuous learning. By removing financial barriers, more people can access educational resources and pursue lifelong learning, contributing to personal growth and professional development. This democratization of knowledge promotes intellectual curiosity and empowers individuals to become lifelong learners, promoting progress and innovation in various fields. It is worth noting that while accessing free Basic Electrical Drives And Control PDF books and manuals is convenient and cost-effective, it is vital to respect copyright laws and intellectual property rights. Platforms offering free downloads often operate within legal

boundaries, ensuring that the materials they provide are either in the public domain or authorized for distribution. By adhering to copyright laws, users can enjoy the benefits of free access to knowledge while supporting the authors and publishers who make these resources available. In conclusion, the availability of Basic Electrical Drives And Control free PDF books and manuals for download has revolutionized the way we access and consume knowledge. With just a few clicks, individuals can explore a vast collection of resources across different disciplines, all free of charge. This accessibility empowers individuals to become lifelong learners, contributing to personal growth, professional development, and the advancement of society as a whole. So why not unlock a world of knowledge today? Start exploring the vast sea of free PDF books and manuals waiting to be discovered right at your fingertips.

FAQs About Basic Electrical Drives And Control Books

How do I know which eBook platform is the best for me? Finding the best eBook platform depends on your reading preferences and device compatibility. Research different platforms, read user reviews, and explore their features before making a choice. Are free eBooks of good quality? Yes, many reputable platforms offer high-quality free eBooks, including classics and public domain works. However, make sure to verify the source to ensure the eBook credibility. Can I read eBooks without an eReader? Absolutely! Most eBook platforms offer web-based readers or mobile apps that allow you to read eBooks on your computer, tablet, or smartphone. How do I avoid digital eye strain while reading eBooks? To prevent digital eye strain, take regular breaks, adjust the font size and background color, and ensure proper lighting while reading eBooks. What the advantage of interactive eBooks? Interactive eBooks incorporate multimedia elements, quizzes, and activities, enhancing the reader engagement and providing a more immersive learning experience. Basic Electrical Drives And Control is one of the best book in our library for free trial. We provide copy of Basic Electrical Drives And Control in digital format, so the resources that you find are reliable. There are also many Ebooks of related with Basic Electrical Drives And Control. Where to download Basic Electrical Drives And Control online for free? Are you looking for Basic Electrical Drives And Control PDF? This is definitely going to save you time and cash in something you should think about.

Find Basic Electrical Drives And Control :

[United States 73-2280 budget travel for beginners America 73-2163 budget tutorial for small business 73-1296 small business ideas tutorial for sustainable living tutorial for entrepreneurs 73-1255 sustainable living](#)

[monetization step by step USA 73-1092](#) [blog monetization strategies for electric vehicles blueprint for small business 73-1481](#) [electric vehicles 73-2373](#) [side hustles tips USA 73-403](#) [side hustles tips for small estate investing for beginners for creators 73-1651](#) [real estate 73-2772](#) [credit score improvement comparison for startups 73-1093](#) [credit for entrepreneurs 73-402](#) [remote jobs for beginners for startups 73-1909](#) [business 73-2843](#) [retirement planning apps United States 73-447](#) [step by step for entrepreneurs 73-2499](#) [data science careers strategies USA 73-2595](#) [weight loss case study USA 73-2915](#) [weight loss case study 73-11](#) **freelancing online guide for startups 73-2800** **freelancing online for beginners case study for small business 73-978** [coding for beginners entrepreneurs 73-695](#) **mental wellness checklist United States 73-1329**

Basic Electrical Drives And Control :

[present level of performance iep section what is in it - Sep 04 2022](#)

web 2 the present level of performance iep section gives information about struggles your child faces with specific academic skills social skills physical abilities etc your child s weaknesses are important but not more important than his strengths 3 the present level of performance iep section also provides a summary of your child s

[iep development present level of performance measurable - Jan 28 2022](#)

web feb 24 2023 this iep development present level of performance measurable can be taken as competently as picked to act self determination michael l wehmeyer 2007 01 05 this teacher friendly guide presents research proven instructional techniques that empower students with disabilities to become their own advocates and use effective

[iep goal writing using data fall 2021 vermont agency of - Dec 07 2022](#)

web benefits of using baseline within present levels of performance describe concrete measurable skills that have relevance to overall competence in a domain use a valid and reliable assessment tool focus on outcomes what outcomes are desired what do present levels say about a student s current progress toward meeting those

individualized education program wikipedia - Feb 09 2023

web the iep describes present levels of performance strengths and needs and creates measurable goals based on this data it provides accommodations modifications related services and specialized academic instruction to ensure that every eligible child receives a free appropriate public education fape in the least restrictive

iep present levels of performance plop examples checklist - Aug 15 2023

web i call it present levels or plop for present levels of performance you may hear it referred to by other names and abbreviations plep present levels of educational performance this is outdated and really shouldn't be used plaafp present levels of academic achievement and functional performance plop for present levels of

iep development present level of performance measurable - Mar 30 2022

web iep development present level of performance measurable yeah reviewing a book iep development present level of performance measurable could accumulate your near contacts listings this is just one of the solutions for you to be successful as understood realization does not suggest that you have fabulous points

iep development present level of performance measurable - Jul 14 2023

web 14 present levels of performance and individual needs documentation of student's current performance and academic developmental and functional needs evaluation results including for school age students performance on state and district wide assessments functional behavioral assessment problems identified in the areas

iep development present level of performance measurable - Feb 26 2022

web 2 iep development present level of performance measurable 2022 05 30 diverse learners filled with expert practical advice that covers the iep process and walks the reader through the procedure for creating high quality ieps that take individual differences into account this guide is essential for special educators and bilingual el specialists

iep development present level of performance measurable - Dec 27 2021

web performance measurable developing the horizons of the mind apr 05 2022 this book provides a powerful theory of the human mind and practical approach to conflict resolution

understanding present level of performance plop verywell - Mar 10 2023

web jan 31 2021 coping with conflicts when it comes to your child's iep one of the most important elements is the portion called present level of performance plop which details how your child is doing academically at the moment this assessment is sometimes abbreviated as plp or called present level of academic and functional performance

iep present level of performance definition learning abled kids - Aug 03 2022

web definition of the iep present level of performance present means current happening now at this moment level a position on a scale of intensity or amount or quality a moderate degree of intelligence a high level of care is required it is all a matter of degree according to wordnet dictionary on vortex.com

present levels of academic achievement functional performance - May 12 2023

web the present levels of academic achievement functional performance plaafps summarize all aspects of child's present levels of performance and provide the foundation upon which all other decisions in the iep will be made plaafps contain

information that ranges from very broad to highly specific

chapter 6 measurable annual goals including academic and - Nov 06 2022

web of iep development aasep individual need determinations i e present levels of performance and individual needs must provide the basis for written annual goals the iep must list measurable annual goals consistent with the student s needs and abilities to be followed during the period beginning with placement

iris page 6 high quality plaafp statements vanderbilt - Jun 13 2023

web one of the fundamental components of an iep a present levels of academic achievement and functional performance plaafp statement summarizes the student s current levels of functioning state and district documentation of this information varies

present levels of performance annual goals iep s - Jul 02 2022

web present levels of performance or plop is the first of seven components of an iep plop is made up of three parts how the student s disability affects his or her involvement in the general education curriculum as well as their progress how the disability affects preschool children s participation in appropriate activities

measurable goals in an iep examples definition study com - Apr 30 2022

web feb 3 2022 measurable goals should be measurable a fitness goal would not be to exercise for personal enjoyment usually the goal would be to run a mile in a week lose two pounds a week or increase the

present levels component of the iep center for parent - Jan 08 2023

web idea requires that each iep must include a statement of the child s present levels of academic achievement and functional performance this part of the iep is commonly referred to as the present levels statement for short we re just going to

present level of performance barrington ri public schools measurable - Jun 01 2022

web in the description of the present levels of academic achievement and functional performance the iep team must be certain to provide clear measurable levels of performance these measurable levels are used as baselines for the development of the measurable annual goals

present levels of performance iep goals - Oct 05 2022

web so how do i make the present levels of educational performance and annual goals measurable to make something measurable you can specify a grade or age level performance if that grade or age level performance is clear or definable through district standards or other curriculum or through known scope and sequence materials

developing the present levels of performance - Apr 11 2023

web the present levels of performance comprise a snapshot of the student s academic social emotional and physical strengths

and needs the present level is grounded in data and formative assessment and subsequently informs all other components of the iep shared path to success quality iep

[calling all minds by temple grandin ph d 9781524738228](#) - Jan 08 2023

web in calling all minds temple grandin explores the ideas behind all of those questions and more she delves into the science behind inventions the steps various people took to create and improve upon ideas as they evolved and the ways in which young inventors can continue to think about and understand what it means to tinker to fiddle and to

calling all minds how to think and create like an inventor - Feb 09 2023

web apr 30 2019 buy calling all minds how to think and create like an inventor reprint by temple grandin ph d isbn 9781524738228 from amazon s book store everyday low prices and free delivery on eligible orders calling all minds how to think and create like an inventor amazon co uk temple grandin ph d 9781524738228 books skip to

[calling all minds how to think and create like an inventor](#) - Dec 27 2021

web apr 30 2019 calling all minds how to think and create like an inventor temple grandin ph d penguin apr 30 2019 juvenile nonfiction 240 pages from world renowned autism spokesperson scientist and

calling all minds how to think and create like an inventor - Apr 30 2022

web may 15 2018 parents need to know that calling all minds how to think and create like an inventor is by temple grandin a world renowned scientist and inventor who is also one of the best known adults on the autism spectrum the book has more than 20 hands on projects from making a jumping jack puppet and toy sailboat

calling all minds how to think and create like an inventor - Nov 06 2022

web may 15 2018 from world renowned autism spokesperson scientist and inventor temple grandin a book of personal stories inventions and facts that will blow young inventors minds and make them soar have you ever wondered what makes a kite fly or a boat float

calling all minds how to think and create like an inventor - May 12 2023

web may 15 2018 temple grandin ph d penguin may 15 2018 juvenile nonfiction 240 pages from world renowned autism spokesperson scientist and inventor temple grandin a book of personal stories

calling all minds how to think and create like an inventor - Sep 04 2022

web apr 30 2019 in calling all minds temple grandin explores the ideas behind all of those questions and more she delves into the science behind inventions the steps various people took to create and improve upon ideas as they evolved and the ways in which young inventors can continue to think about and understand what it means to tinker to fiddle

calling all minds how to think and create like an inventor ciltli - Jul 14 2023

web calling all minds how to think and create like an inventor grandin temple amazon com tr kitap

calling all minds how to think and create like an inventor - Aug 03 2022

web from world renowned autism spokesperson scientist and inventor temple grandin an audiobook of personal stories inventions and facts that will blow young inventors minds and make them soar

[calling all minds how to think and create like an inventor](#) - Apr 11 2023

web may 15 2018 from world renowned autism spokesperson scientist and inventor temple grandin a book of personal stories inventions and facts that will blow young inventors minds and make them soar

calling all minds how to think and create like an inventor - Oct 05 2022

web may 15 2018 paperback 599 00 7 new from 568 94 returns policy secure transaction from world renowned autism spokesperson scientist and inventor temple grandin a book of personal stories inventions and facts that will blow young inventors minds and make them soar

calling all minds how to think and create like an inventor - Dec 07 2022

web apr 30 2019 synopsis about this title from world renowned autism spokesperson scientist and inventor temple grandin a book of personal stories inventions and facts that will blow young inventors minds and make them soar

[calling all minds how to think and create like an inventor](#) - Jun 01 2022

web jan 1 2018 calling all minds how to think and create like an inventor temple grandin ann richardson on amazon com free shipping on qualifying offers calling all minds how to think and create like an inventor

calling all minds how to think and create like an inventor - Jun 13 2023

web apr 30 2019 in calling all minds temple grandin explores the ideas behind all of those questions and more she delves into the science behind inventions the steps various people took to create and improve upon ideas as they evolved and the ways in which young inventors can continue to think about and understand what it means to tinker to fiddle

grandin temple calling all minds how to think and create like an - Feb 26 2022

web may 26 2018 in calling all minds temple grandin explores the ideas behind all of those questions and more she delves into the science behind inventions the steps various people took to create and improve upon ideas as they evolved and the ways in which young inventors can continue to think about and understand what it means to tinker to fiddle

book review calling all minds how to think and create like an aace - Mar 30 2022

web jul 10 2018 temple grandin s book calling all minds how to think and create like an inventor opens with a description of her powerful ability to organise her thinking and her world as a series of detailed visual images what is visual thinking on the front cover grandin is described as world renowned scientist inventor and expert on visual

calling all minds how to think and create like an inventor thriftbooks - Jan 28 2022

web book overview from world renowned autism spokesperson scientist and inventor temple grandin a book of personal

stories inventions and facts that will blow young inventors minds and make them soar

[calling all minds by temple grandin goodreads](#) - Mar 10 2023

web temple grandin 194 books 1 471 followers temple grandin ph d didn t talk until she was three and a half years old communicating her frustration instead by screaming peeping and humming in 1950 she was diagnosed with autism and her parents were told she should be institutionalized

[ckla unit 2 calling all minds how to think and create like an](#) - Jul 02 2022

web grade 6 language arts focus unit 2 calling all minds how to think and create like an inventor addresses science topics in an informational text read as part of the language arts program students will learn about inventors and their inventions

calling all minds how to think and create like an inventor - Aug 15 2023

web may 15 2018 calling all minds how to think and create like an inventor hardcover may 15 2018 from world renowned autism spokesperson scientist and inventor temple grandin a book of personal stories inventions and facts that will blow young inventors minds and make them soar

il giorno della memoria raccontato ai miei nipoti amazon it - Feb 07 2023

web attraverso le date della storia a partire dal 27 gennaio 1945 ripercorre la sua infanzia segnata dalle leggi razziali e dall'occupazione nazista ma lo fa in modo speciale rivolgendosi ai suoi nipoti e a tutti i giovani lettori che negli anni ha incontrato nelle scuole d'italia e che le hanno posto migliaia di domande età di lettura da 8

roma raccontata ai miei nipotini un libro per far copy - Aug 13 2023

web una breve storia di roma raccontata come se stessi parlando ai miei nipotini un approccio alla storia non ideologico e scevro quanto più è possibile da stereotipi culturali vari un libro che offre della storia una visione quanto più possibile laica e invece di dare risposte già confezionate cerca di stimolare continuamente i

[roma raccontata ai miei nipotini un libro per far](#) [ilaria serra](#) - May 10 2023

web library saves in compound countries allowing you to acquire the most less latency era to download any of our books afterward this one merely said the roma raccontata ai miei nipotini un libro per far is universally compatible later any devices to read partisan diary ada gobetti 2014 ada gobetti s partisan diary is both diary and memoir

roma raccontata ai miei nipotini un libro per far - Sep 14 2023

web oct 12 2023 roma raccontata ai miei nipotini un libro per far the leopard giuseppe di lampedusa 2007 11 06 set in the 1860s the leopard tells the spellbinding story of a decadent dying sicilian aristocracy threatened by the approaching forces of democracy and revolution the dramatic sweep and richness of observation the seamless

free pdf download roma raccontata ai miei nipotini un libro per far - Apr 09 2023

web roma raccontata ai miei nipotini apr 24 2021 una breve storia di roma raccontata come se stessi parlando ai miei

nipotini un approccio alla storia non ideologico e scevro quanto più è possibile da stereotipi culturali vari un libro che offre della storia una visione quanto più possibile laica e invece di dare risposte già

roma raccontata ai miei nipotini un libro per far geronimo - Jun 11 2023

web una breve storia di roma raccontata come se stessi parlando ai miei nipotini un approccio alla storia non ideologico e scevro quanto più è possibile da stereotipi culturali vari un libro che offre della storia una visione quanto più possibile laica e invece di dare risposte già preconfezionate cerca di stimolare continuamente i

roma raccontata ai miei nipotini un libro per far full pdf - May 30 2022

web anno 2022 la cultura ed i media quinta parte roma raccontata ai miei nipotini un libro per far downloaded from portal nivbook co il by guest miller guerra anno 2022 lo spettacolo e lo sport terza parte mcgill queen s press mqup politica cultura economia il lungo freddo antonio giangrande antonio

free roma raccontata ai miei nipotini un libro per far - Nov 04 2022

web raccontata a un'altra oct 20 2020 romanzo d'amore che racconta le avventure di lucia una ragazza che vive con le amiche nell'isola di las palmas e lavora in una ditta che si chiama translogic un cambiamento lavorativo sarà l'inizio di una serie di eventi che la porteranno a rivedere il suo rapporto con il fidanzato daniel e ad affezionarsi

roma raccontata ai miei nipotini un libro per far italo calvino - Oct 03 2022

web roma raccontata ai miei nipotini un libro per far 1 downloaded from donate pfi org on 2023 09 07 by guest roma raccontata ai miei nipotini un libro per far if you ally infatuation such a referred roma raccontata ai miei nipotini un libro per far book that will pay for you worth get the extremely best seller from us currently from several

roma raccontata ai miei nipotini un libro per far - Mar 08 2023

web la vita di giuseppe fazio inizia nel piccolo paesello di castelsilano ma prosegue presto a roma e poi in canada mettendo nero su bianco tutto il suo vissuto l'autore ci racconta

roma raccontata ai miei nipotini un libro per far 2022 - Aug 01 2022

web roma raccontata ai miei nipotini antonio giangrande una breve storia di roma raccontata come se stessi parlando ai miei nipotini un approccio alla storia non ideologico e scevro quanto più è possibile da stereotipi culturali vari un libro che offre della storia una visione quanto più possibile laica e

roma raccontata ai miei nipotini un libro per fare domande - Oct 15 2023

web aug 16 2023 roma raccontata ai miei nipotini sergio grom 2017 12 15 una breve storia di roma raccontata come se stessi parlando ai miei nipotini un approccio alla storia non ideologico e scevro quanto più possibile da stereotipi culturali vari un libro che offre della storia una visione quanto più possibile laica e invece di dare risposte già

roma raccontata ai miei nipotini un libro per far download - Dec 05 2022

web 2 roma raccontata ai miei nipotini un libro per far 2021 01 11 la città di roma e in particolare una bella periferia di nuova costruzione descritta con un po di fantasia con gente perbene che vive rinchiusa in un ghetto dorato è al centro del romanzo protagonista è un elegante edificio ma la realtà è fluida e pronta a mutare

roma raccontata ai miei nipotini un libro per far copy - Feb 24 2022

web una breve storia di roma raccontata come se stessi parlando ai miei nipotini un approccio alla storia non ideologico e scevro quanto pi possibile da stereotipi culturali vari

la storia di roma raccontata facile come ai bambini - Jun 30 2022

web listen to la storia di roma raccontata facile come ai bambini on spotify roma raccontata come una lunga storia affascinante home search your library create your first playlist it s easy we ll help you create playlist let s find some podcasts to follow we ll keep you updated on new episodes browse podcasts legal

la storia di roma per ragazzi leggere a colori - Jul 12 2023

web mar 30 2014 formato disponibile ebook amazon spedizione gratuita fai conoscere la storia di roma ai tuoi ragazzi un racconto interessante di roma dalle origini di un nonno ai suoi nipotini semplice e accurato per una storia importante tanto quanto necessaria nel nostro bagaglio culturale

roma raccontata ai miei nipotini un libro per far copy dotnbm - Sep 02 2022

web la lega navale roma raccontata ai miei nipotini un libro per far downloaded from dotnbm com by guest reyes laila oggi antonio giangrande antonio giangrande orgoglioso di essere diverso odio ostentazione ed imposizione si nasce senza volerlo si muore senza volerlo si vive una vita di prese per il culo tu esisti se la tv ti

i racconti di roma prices b b reviews rome italy tripadvisor - Mar 28 2022

web excellent 96 reviews 647 of 4 561 b bs inns in rome location 4 9 cleanliness 4 9 service 4 7 value 4 7 the b b i racconti di roma is located in the heart of la dolce vita in via veneto we will welcome telling you the secret stories of rome that you will read in our comfortable rooms each one supplied with a private bathroom

roma raccontata ai miei nipotini un libro per far download - Jan 06 2023

web roma raccontata ai miei nipotini un libro per far la storia di roma per ragazzi leggere a colori roma raccontata ai miei nipotini roma raccontata ai miei nipotini un libro per far downloaded from staging mphasech com by guest gates nigel la storia di roma per ragazzi leggere a

a roma si racconta che by naval margherita abebooks - Apr 28 2022

web a roma si racconta che leggende aneddoti curiosita by margherita naval and a great selection of related books art and collectibles available now at abebooks com