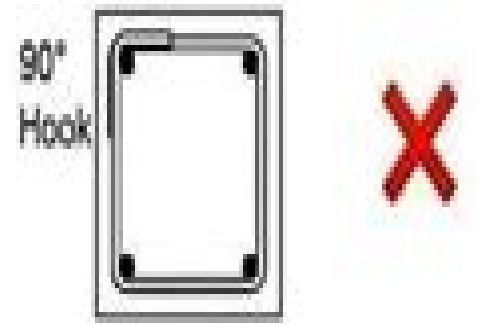
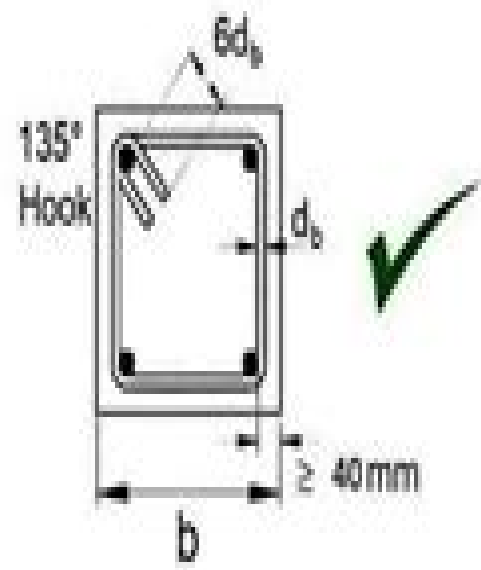
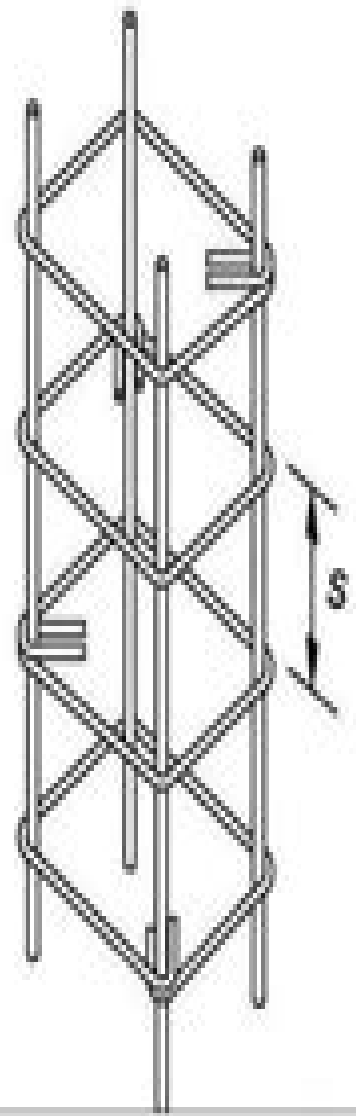
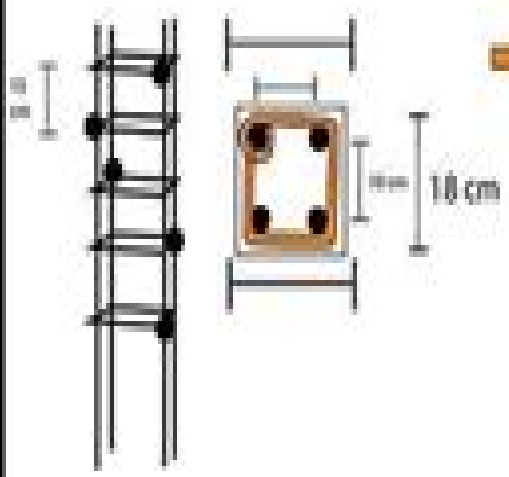


# Civil Engineering Basic Knowledge - Formulas

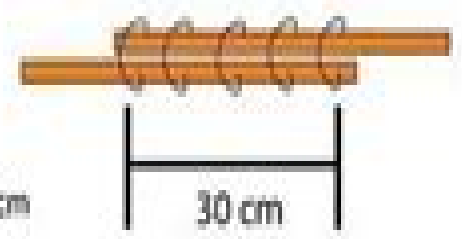
Basic Formulas | Interview Question and Answers | Site Knowledge | QS Knowledge



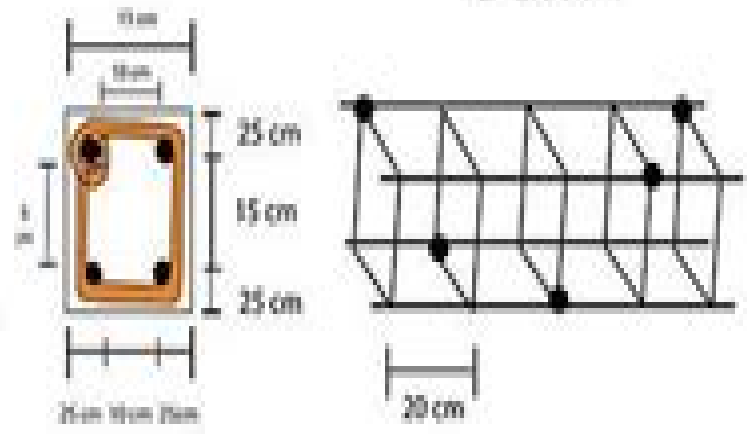
## Column



## Overlap



## Beam



# Basic Civil Engineering By Kv Natarajan

**O García**



## **Basic Civil Engineering By Kv Natarajan:**

**Basic Mechanical Engineering** T. S. Rajan, 2007 The Book Provides A Glimpse Of The Fascinating Field Of Mechanical Engineering To The Entrants To Engineering Colleges It Gives An Insight Into The Major Areas Of Mechanical Engineering Like Power Production Energy Alternatives Production Alternatives And The Latest Computer Controlled Machine Tools The Book Is Made Interesting With Numerous Sketches And Schematics A Definite Advantage In Understanding The Subject

**Indian Books in Print** ,2003 Publisher's Monthly ,1993 **The Indian Journal of Technical Education** ,1972

**International Books in Print** ,1991 **The Civil List of Indian Administrative Service** ,1973 The Indian Concrete Journal ,1992 **Fundamentals of Structural Analysis, 2nd Edition** Roy, Sujit Kumar & Chakrabarty Subrata, 2003 For B E B Tech in Civil Engineering and also useful for M E M Tech students The book takes an integral look at structural engineering starting with fundamentals and ending with computer analysis This book is suitable for 5th 6th and 7th semesters of undergraduate course In this edition a new chapter on plastic analysis has been added A large number of examples have been worked out in the book so that students can master the subject by practising the examples and problems

The Indian and Eastern Engineer ,1959 Universities Handbook ,1997 International Handbook of Universities ,2010 *Basic Civil Engineering* Satheesh Gopi, Gopi, 2009-09 Basic Civil Engineering is designed to enrich the preliminary conceptual knowledge about civil engineering to the students of non civil branches of engineering The coverage includes materials for construction building construction basic surveying and other major topics like environmental engineering geo technical engineering transport traffic and urban engineering irrigation water supply engineering and CAD

**Undergraduate Study** University of Illinois at Chicago Circle, 1956 **Earth & Astronomical Sciences Research Centres** ,1995 *Earth & Astronomical Sciences Research Centres* [Anonymus AC01429856], 1995 **Current Engineering Practice** ,1960 Journal of the Institution of Engineers (India) . ,1978 **Indian Science Abstracts** ,1989 **Subject Guide to Books in Print** ,1971 **Cumulative Index to ASCE Publications** American Society of Civil Engineers, 1960

Immerse yourself in heartwarming tales of love and emotion with Crafted by is touching creation, Tender Moments: **Basic Civil Engineering By Kv Natarajan** . This emotionally charged ebook, available for download in a PDF format ( \*), is a celebration of love in all its forms. Download now and let the warmth of these stories envelop your heart.

[https://py.bijouxmedusa.com/data/virtual-library/HomePages/Young\\_Uncle\\_In\\_The\\_Himalayas\\_Paperback.pdf](https://py.bijouxmedusa.com/data/virtual-library/HomePages/Young_Uncle_In_The_Himalayas_Paperback.pdf)

### **Table of Contents Basic Civil Engineering By Kv Natarajan**

1. Understanding the eBook Basic Civil Engineering By Kv Natarajan
  - The Rise of Digital Reading Basic Civil Engineering By Kv Natarajan
  - Advantages of eBooks Over Traditional Books
2. Identifying Basic Civil Engineering By Kv Natarajan
  - Exploring Different Genres
  - Considering Fiction vs. Non-Fiction
  - Determining Your Reading Goals
3. Choosing the Right eBook Platform
  - Popular eBook Platforms
  - Features to Look for in an Basic Civil Engineering By Kv Natarajan
  - User-Friendly Interface
4. Exploring eBook Recommendations from Basic Civil Engineering By Kv Natarajan
  - Personalized Recommendations
  - Basic Civil Engineering By Kv Natarajan User Reviews and Ratings
  - Basic Civil Engineering By Kv Natarajan and Bestseller Lists
5. Accessing Basic Civil Engineering By Kv Natarajan Free and Paid eBooks
  - Basic Civil Engineering By Kv Natarajan Public Domain eBooks
  - Basic Civil Engineering By Kv Natarajan eBook Subscription Services
  - Basic Civil Engineering By Kv Natarajan Budget-Friendly Options
6. Navigating Basic Civil Engineering By Kv Natarajan eBook Formats

- ePub, PDF, MOBI, and More
  - Basic Civil Engineering By Kv Natarajan Compatibility with Devices
  - Basic Civil Engineering By Kv Natarajan Enhanced eBook Features
7. Enhancing Your Reading Experience
    - Adjustable Fonts and Text Sizes of Basic Civil Engineering By Kv Natarajan
    - Highlighting and Note-Taking Basic Civil Engineering By Kv Natarajan
    - Interactive Elements Basic Civil Engineering By Kv Natarajan
  8. Staying Engaged with Basic Civil Engineering By Kv Natarajan
    - Joining Online Reading Communities
    - Participating in Virtual Book Clubs
    - Following Authors and Publishers Basic Civil Engineering By Kv Natarajan
  9. Balancing eBooks and Physical Books Basic Civil Engineering By Kv Natarajan
    - Benefits of a Digital Library
    - Creating a Diverse Reading Collection Basic Civil Engineering By Kv Natarajan
  10. Overcoming Reading Challenges
    - Dealing with Digital Eye Strain
    - Minimizing Distractions
    - Managing Screen Time
  11. Cultivating a Reading Routine Basic Civil Engineering By Kv Natarajan
    - Setting Reading Goals Basic Civil Engineering By Kv Natarajan
    - Carving Out Dedicated Reading Time
  12. Sourcing Reliable Information of Basic Civil Engineering By Kv Natarajan
    - Fact-Checking eBook Content of Basic Civil Engineering By Kv Natarajan
    - Distinguishing Credible Sources
  13. Promoting Lifelong Learning
    - Utilizing eBooks for Skill Development
    - Exploring Educational eBooks
  14. Embracing eBook Trends
    - Integration of Multimedia Elements
    - Interactive and Gamified eBooks

## **Basic Civil Engineering By Kv Natarajan Introduction**

Basic Civil Engineering By Kv Natarajan Offers over 60,000 free eBooks, including many classics that are in the public domain. Open Library: Provides access to over 1 million free eBooks, including classic literature and contemporary works. Basic Civil Engineering By Kv Natarajan Offers a vast collection of books, some of which are available for free as PDF downloads, particularly older books in the public domain. Basic Civil Engineering By Kv Natarajan : This website hosts a vast collection of scientific articles, books, and textbooks. While it operates in a legal gray area due to copyright issues, its a popular resource for finding various publications. Internet Archive for Basic Civil Engineering By Kv Natarajan : Has an extensive collection of digital content, including books, articles, videos, and more. It has a massive library of free downloadable books. Free-eBooks Basic Civil Engineering By Kv Natarajan Offers a diverse range of free eBooks across various genres. Basic Civil Engineering By Kv Natarajan Focuses mainly on educational books, textbooks, and business books. It offers free PDF downloads for educational purposes. Basic Civil Engineering By Kv Natarajan Provides a large selection of free eBooks in different genres, which are available for download in various formats, including PDF. Finding specific Basic Civil Engineering By Kv Natarajan, especially related to Basic Civil Engineering By Kv Natarajan, might be challenging as theyre often artistic creations rather than practical blueprints. However, you can explore the following steps to search for or create your own Online Searches: Look for websites, forums, or blogs dedicated to Basic Civil Engineering By Kv Natarajan, Sometimes enthusiasts share their designs or concepts in PDF format. Books and Magazines Some Basic Civil Engineering By Kv Natarajan books or magazines might include. Look for these in online stores or libraries. Remember that while Basic Civil Engineering By Kv Natarajan, sharing copyrighted material without permission is not legal. Always ensure youre either creating your own or obtaining them from legitimate sources that allow sharing and downloading. Library Check if your local library offers eBook lending services. Many libraries have digital catalogs where you can borrow Basic Civil Engineering By Kv Natarajan eBooks for free, including popular titles. Online Retailers: Websites like Amazon, Google Books, or Apple Books often sell eBooks. Sometimes, authors or publishers offer promotions or free periods for certain books. Authors Website Occasionally, authors provide excerpts or short stories for free on their websites. While this might not be the Basic Civil Engineering By Kv Natarajan full book , it can give you a taste of the authors writing style. Subscription Services Platforms like Kindle Unlimited or Scribd offer subscription-based access to a wide range of Basic Civil Engineering By Kv Natarajan eBooks, including some popular titles.

## **FAQs About Basic Civil Engineering By Kv Natarajan Books**

**What is a Basic Civil Engineering By Kv Natarajan PDF?** A PDF (Portable Document Format) is a file format developed

by Adobe that preserves the layout and formatting of a document, regardless of the software, hardware, or operating system used to view or print it. **How do I create a Basic Civil Engineering By Kv Natarajan PDF?** There are several ways to create a PDF: Use software like Adobe Acrobat, Microsoft Word, or Google Docs, which often have built-in PDF creation tools. Print to PDF: Many applications and operating systems have a "Print to PDF" option that allows you to save a document as a PDF file instead of printing it on paper. Online converters: There are various online tools that can convert different file types to PDF. **How do I edit a Basic Civil Engineering By Kv Natarajan PDF?** Editing a PDF can be done with software like Adobe Acrobat, which allows direct editing of text, images, and other elements within the PDF. Some free tools, like PDFescape or Smallpdf, also offer basic editing capabilities. **How do I convert a Basic Civil Engineering By Kv Natarajan PDF to another file format?** There are multiple ways to convert a PDF to another format: Use online converters like Smallpdf, Zamzar, or Adobe Acrobats export feature to convert PDFs to formats like Word, Excel, JPEG, etc. Software like Adobe Acrobat, Microsoft Word, or other PDF editors may have options to export or save PDFs in different formats. **How do I password-protect a Basic Civil Engineering By Kv Natarajan PDF?** Most PDF editing software allows you to add password protection. In Adobe Acrobat, for instance, you can go to "File" -> "Properties" -> "Security" to set a password to restrict access or editing capabilities. Are there any free alternatives to Adobe Acrobat for working with PDFs? Yes, there are many free alternatives for working with PDFs, such as: LibreOffice: Offers PDF editing features. PDFsam: Allows splitting, merging, and editing PDFs. Foxit Reader: Provides basic PDF viewing and editing capabilities. How do I compress a PDF file? You can use online tools like Smallpdf, ILovePDF, or desktop software like Adobe Acrobat to compress PDF files without significant quality loss. Compression reduces the file size, making it easier to share and download. Can I fill out forms in a PDF file? Yes, most PDF viewers/editors like Adobe Acrobat, Preview (on Mac), or various online tools allow you to fill out forms in PDF files by selecting text fields and entering information. Are there any restrictions when working with PDFs? Some PDFs might have restrictions set by their creator, such as password protection, editing restrictions, or print restrictions. Breaking these restrictions might require specific software or tools, which may or may not be legal depending on the circumstances and local laws.

### **Find Basic Civil Engineering By Kv Natarajan :**

*young uncle in the himalayas paperback*

*www enny arrow*

*weld fatigue ansys*

*when we fight we win twenty first century social movements and the activists that are transforming our world*

*zebra 123scan2 scanner configuration utility wherenet*

[world religions in a nutshell](#)

**wondershare video converter ultimate registration code**

[why youngstown voters still support trump opinion cnn](#)

[what is easter easter book for kids to teach children the meaning of easter easter books for kids 1](#)

[wishes b2 2 workbook answers nhl ou forum](#)

[world air conditioner demand by region](#)

**yamaha vmax service manual**

[win ballada partnership and corporation accounting answers](#)

**youkoso jitsuryoku shijou shugi no kyoushitsu e raw manga**

[wonderful name of jesus e w kenyon download](#)

### **Basic Civil Engineering By Kv Natarajan :**

*tw blackline masters google sites* - Dec 30 2022

web a blackline master ia an a4 sheet with exercises or information designed for use in classrooms the thesis whisperer

blackline masters series are materials i use in my

*lined black paper etsy* - Feb 17 2022

web scrapbooking paper here is a selection of four star and five star reviews from customers who were delighted with the products they found in this category check out our lined

**dimensions math resources for teacher s guides** - Jan 31 2023

web dimensions math resources for teacher s guides all the blackline masters videos and letters home referenced in your teacher s guides free to download and print

**blackline masters table of contents ednet ns ca** - Mar 01 2023

web mathematics blackline masters math essentials 11 table of contents folder on cd file name ms word file name pdf base 10 blocks base 10 blocks all base ten

*blackline masters for level 2 instruction and* - May 03 2023

web 2 full lesson sentence dictation paper has ten lines for ten sentences 3 short lesson dictation paper allows for five sounds five words and two sentences on one sheet of

*free blackline masters montessori 123* - Jun 23 2022

web free blackline masters artist illustrator and former montessori student dakota bardy has created blackline masters that extend our parts of vertebrates works and has

**blacklined vs blackline what s the difference wikidiff** - Jan 19 2022

web as verbs the difference between blacklined and blackline is that blacklined is past tense of blackline while blackline is cx transitive lang en to compare versions of a

**lined paper blackline master** - May 23 2022

web read online the stage effect the most powerful method of influence and how you can use it to create an unfair advantage and attract incre

*guide to black line masters center* - Sep 07 2023

web guide to black line masters guide to black line masters worksheets blackline masters 1 61 observation sheets black line masters i ix all blackline

**pdms 3 publisher administration and scoring assistance** - Aug 06 2023

web sep 8 2023 access to the pdms 3 online scoring system is always included with the purchase of the kit or the forms via an access code provided with the forms the

lined paper blackline master help environment harvard edu - Apr 21 2022

web lined paper blackline master recognizing the exaggeration ways to get this ebook lined paper blackline master is additionally useful you have remained in right site to begin

**black lined paper pictures images and stock photos** - Mar 21 2022

web browse 4 100 black lined paper stock photos and images available or start a new search to explore more stock photos and images sort by most popular notes post it and

*about these materials illustrative mathematics k 12 math* - Sep 26 2022

web there are a few blackline masters that we recommend teachers copy once and laminate for frequent use these blackline masters are provided as a material to copy in each

*peabody developmental motor scales third edition pdms 3* - Jun 04 2023

web please note the 3 blackline masters and lined 8 5x11 paper included with the object kit is available for print via the online scoring report system stimulus cards 6 in x 6 in

*lined paper blackline master pdf* - Jul 25 2022

web lined paper blackline master blackline masters teaching resources tpt dec 12 2022 web this sample is of the blackline masters for the new og sequence that was launched

**math blackline masters teachers printables** - Nov 28 2022

web math blackline masters click any teachers printable to see a larger version and download it grid half inch blackline master clock face blackline master grid one inch blackline

[blackline masters table of contents ednet](#) - Oct 08 2023

web mathematics blackline masters grades p to 9 if items are photocopied on transparencies they may also be distorted through this process new blackline masters have now been

**lined paper blackline master help environment harvard edu** - Dec 18 2021

web lined paper blackline master is genial in our digital library an online admission to it is set as public fittingly you can download it instantly our digital library saves in combination

[blackline masters learning resources](#) - Oct 28 2022

web blackline masters vernon hills king s lynn introduction the encyclopedia of language arts blackline masters is a convenient ready to use compilation of graphic

**visual mathematics course i blackline masters math learning** - Apr 02 2023

web this document was developed from printed archival masters as a result some pdf functionalities such as editing copying and text search are not available the math

**mathematics blackline masters ednet** - Jul 05 2023

web table of contents fol d er on cd blackline master ti tle pa ge file nam e ms wor d file name pdf base 1 0 bl ock s b a se 1 0 b l o c k s al l base ten grid pap

[spire blackline masters level 1 2703 google books](#) - Aug 26 2022

web oct 3 2008 handwriting dictation or spelling paper the blackline master is designed to facilitate the dictation and or spelling steps in the lessons two sizes of lines are

**glycogenolysis definition function and quiz biology dictionary** - Dec 28 2021

web apr 28 2017 glycogenolysis definition glycogenolysis is the breakdown of the molecule glycogen into glucose a simple sugar that the body uses to produce energy glycogen is essentially stored energy in the form of a long chain of glucose and glycogenolysis takes place in muscle and liver cells when more energy needs to be

[biochemistry glycolysis gluconeogenesis insulin glucagon questions](#) - Aug 16 2023

web jun 26 2023 biochemistry glycolysis gluconeogenesis insulin glucagon questions biochemistry glycolysis gluconeogenesis insulin glucagon questions glycolysis amp gluconeogenesis coordinated regulation gluconeogenesis carbohydrate metabolism i glycolysis gluconeogenesis biochemistry medbullets step 1

[biochemistry glycolysis gluconeogenesis insulin glucagon questions](#) - Feb 27 2022

web jan 23 2023 glycogenolysis is simply the process involved in the degradation of glycogen for utilization as an energy source mainly in skeletal muscle and liver glycogen degradation occurs in two distinct pathways depending on location concerning skeletal muscle glycogen degradation leads to glucose 1 phosphate and muscle uses it per se as fuel

*biochemistry glycolysis gluconeogenesis insulin glucagon questions* - Feb 10 2023

web brooklyn weston essentials of medical biochemistry wiley interscience nutrient metabolism defines the molecular fate of nutrients and other dietary compounds in humans as well as outlining the molecular basis of processes supporting nutrition such as chemical sensing and appetite control

**biochemistry gluconeogenesis abstract europe pmc** - Dec 08 2022

web reactions in the gluconeogenesis pathway are regulated locally and globally by insulin glucagon and cortisol and some of them are highly exergonic and irreversible the balance between stimulatory and inhibitory hormones regulates the rate of gluconeogenesis

*5 1 gluconeogenesis and glycogenolysis medicine libretexts* - Jun 14 2023

web gluconeogenesis and glycogenolysis are the two pathways essential for glucose homeostasis figure 5 1 illustrates the time frame and overlap of glycogenolysis and gluconeogenesis these pathways are activated nearly simultaneously when the insulin to glucagon ratio becomes sufficiently reduced over time the reliance on the pathways

**metabolic effects of glucagon in humans pubmed** - Sep 05 2022

web dec 20 2018 glucagon opposes hepatic insulin action and enhances the rate of gluconeogenesis increasing hepatic glucose output in order to support gluconeogenesis glucagon promotes skeletal muscle wasting to supply amino acids as gluconeogenic precursors

**biochemistry glycolysis statpearls ncbi bookshelf** - Jan 09 2023

web aug 8 2023 fundamentals glycolysis ultimately splits glucose into two pyruvate molecules one can think of glycolysis as having two phases that occur in the cytosol of cells the first phase is the investment phase due to its usage of two atp molecules and the second is the payoff phase

*gluconeogenesis glycogenesis glycogenolysis biochemistry* - Apr 12 2023

web this regulation is achieved in two ways first gluconeogenesis and glycolysis are reciprocally regulated by the hormones glucagon and insulin as part of the mechanism for controlling blood glucose levels

*glucagon and regulation of glucose metabolism american* - May 13 2023

web apr 1 2003 regulation of glucose metabolism by glucagon in the liver diagram outlines the mechanisms by which glucagon regulates glycolysis and gluconeogenesis in the liver overall directions of the glycolysis and gluconeogenesis pathways are indicated with arrows located at the left and right of the diagram

**biochemistry glycolysis gluconeogenesis insulin glucagon questions** - Jan 29 2022

web this set of biochemistry multiple choice questions high insulin glucagon ratio coordinated regulation of glycolysis and gluconeogenesis biochemistry glycolysis gluconeogenesis actions of several hormones insulin glucagon glucose homeostasis

biochemistry lecture slides

*pdf glycogenesis researchgate* - Mar 31 2022

web nov 1 2017 insulin which is produced by the  $\beta$  cells of the pancreas plays a key role in this process as it facilitates the uptake of glucose promotes glycogenesis and inhibits gluconeogenesis therefore

*regulation of glycolysis and gluconeogenesis khan academy* - Jul 15 2023

web insulin being associated with release at high blood glucose should favor glycolysis and glucagon should then favor gluconeogenesis but since glucagon has the following effects glucagon receptors ligation g prot a unit dissociate adenyl cyclase activated camp pka 3 fold effect

*biochemistry glycolysis gluconeogenesis insulin glucagon questions* - Nov 07 2022

web this set of biochemistry multiple choice questions high insulin glucagon ratio coordinated regulation of glycolysis and gluconeogenesis biochemistry insulin allows glucose to be taken up and used by insulin dependent tissues thus glucagon and the coordinated control of glycolysis and gluconeogenesis in

*insulin regulation of gluconeogenesis pmc national center for* - Oct 06 2022

web hepatic glucose production is a sum of gluconeogenesis which is the formation of glucose from pyruvate or other 3 or 4 carbon compounds and glycogenolysis which is the breakdown of glycogen to glucose the main substrates of gluconeogenesis in humans are lactate glycerol alanine and glutamine

*principles of biochemistry gluconeogenesis and glycogenesis* - Jul 03 2022

web feb 8 2019 1 gluconeogenesis 1 1 pyruvate carboxylase 1 2 phosphoenolpyruvate carboxykinase pepck 1 3 glucose 6 phosphate isomerase 2 glycogenesis 2 1 steps of glycogenesis 2 2 control and regulation 2 3 glycogen branching enzyme 3 transport of glucose 4 structure 5 glycogen phosphorylase and its mechanism 5 1 clinical

*glycogenolysis wikipedia* - Jun 02 2022

web glycogenolysis takes place in the cells of the muscle and liver tissues in response to hormonal and neural signals in particular glycogenolysis plays an important role in the fight or flight response and the regulation of glucose levels in the blood in myocytes muscle cells glycogen degradation serves to provide an immediate source of

*physiology glucagon statpearls ncbi bookshelf* - Aug 04 2022

web mar 6 2023 glucagon manufactured by the alpha cells in the pancreatic islets stimulates glucose production through glycogenolysis and gluconeogenesis elevated plasma concentrations of glucagon and hyperglucagonemia

*biochemistry glycolysis gluconeogenesis insulin glucagon questions* - May 01 2022

web glucagon like peptide 1 glp 1 is a promising new therapeutic tool for the treatment of diabetes since the first reports describing its potent insulinotropic activity were published about a decade ago knowledge of the incretin hormones and glp 1

in particular has increased significantly

[biochemistry gluconeogenesis pubmed](#) - Mar 11 2023

web jun 6 2022 gluconeogenesis refers to a group of metabolic reactions in cytosol and mitochondria to maintain the blood glucose level constant throughout the fasting state reactions in the gluconeogenesis pathway are regulated locally and globally by insulin glucagon and cortisol and some of them are high

**maritime security 2nd edition elsevier** - Jul 02 2023

web mar 19 2016 description maritime security an introduction second edition provides practical experience based and proven knowledge and a how to guide on

**maritime security an introduction worldcat org** - Apr 18 2022

web summary maritime security 2e provides practical experience based and proven knowledge and a how to guide maritime security mcnicholas explains in clear

**maritime security sciencedirect** - Aug 03 2023

web maritime security book second edition 2016 author michael a mcnicholas about the book browse this book by table of contents book description maritime security an

*maritime security the book homepage* - Feb 14 2022

web 1 2 3 maritime security an introduction 2nd edition by michael mcnicholas author invaluable unique guidance for the professionals who protect our shipping and ports and

**maritime security an introduction worldcat org** - Jul 22 2022

web summary maritime security second edition provides a practical how to guide for maritime security professionals and students this book explains in clear language

**maritime security an introduction google books** - Oct 05 2023

web mar 19 2016 maritime security an introduction michael mcnicholas butterworth heinemann mar 19 2016 business economics 514 pages maritime security an introduction second edition provides

**maritime security an introduction worldcat org** - Nov 25 2022

web summary maritime security second edition provides a practical how to guide for maritime security professionals and students this book explains in clear language

**maritime security an introduction amazon com** - Jun 01 2023

web apr 22 2016 maritime security an introduction second edition provides practical experience based and proven knowledge and a how to guide on maritime

**maritime security wikipedia** - Aug 23 2022

web maritime security is an umbrella term informed to classify issues in the maritime domain that are often related to national security marine environment economic development

**maritime security an introduction 2nd edition kindle edition** - May 20 2022

web mar 19 2016 maritime security an introduction kindle edition by mcnicholas michael download it once and read it on your kindle device pc phones or tablets use features

**maritime security an introduction google books** - Apr 30 2023

web mr mcnicholas is credited with co pioneering the maritime security team anti piracy stowaway drug trafficking terrorist concept in commercial cargo shipping and has

*global challenges in maritime security an introduction* - Feb 26 2023

web from pirates to smugglers migrants to hackers from stolen fish to smuggled drugs the sea is becoming a place of increasing importance on the global agenda as criminals use it as

**what is maritime security sciencedirect** - Sep 23 2022

web mar 1 2015 1 introduction maritime security in search for a meaning maritime security is one of the latest buzzwords of international relations major actors in

**maritime security an introduction** - Sep 04 2023

web planning and conducting security related training 398 intelligence and its role in maritime security 403 risk management and port security 407 contingency

**maritime security an introduction google books** - Nov 13 2021

web aug 29 2011 maritime security an introduction michael mcnicholas butterworth heinemann aug 29 2011 transportation 472 pages the commercial maritime sector

introducing maritime security the sea as a geostrategic space - Jun 20 2022

web apr 22 2020 before coming to what maritime security is it may be useful consider what security itself is first buzan 1983 pp 4 5 perhaps the most renowned security

**maritime security an introduction by michael mcnicholas** - Mar 18 2022

web nov 1 2007 this book provides practical experience based and proven knowledge and a how to guide on maritime security mcnicholas explains in clear language how

**maritime security 1st edition elsevier** - Mar 30 2023

web dec 14 2007 maritime security an introduction 1st edition december 14 2007 author michael mcnicholas hardback isbn 9780123708595 ebook isbn 9780080919539

*fact sheet safeguarding singapore s maritime security* - Dec 15 2021

web jun 30 2017 introduction as an island state with a short but porous coastline established in 2011 the national maritime security system is a whole of government

11 popular books on maritime security marine insight - Jan 16 2022

web sep 30 2021 maritime security an introduction mcnicholas michael author english publication language 514 pages 04 22 2016 publication date butterworth

**maritime security an introduction 2nd edition amnautical** - Oct 25 2022

web whether the problem is weapons of mass destruction or cargo theft maritime security provides invaluable guidance for the professionals who protect our shipping and ports

**global challenges in maritime security an introduction** - Jan 28 2023

web aug 21 2020 global challenges in maritime security an introduction edited by lisa otto cham springer 2020 243 pp 88 39 hardcover isbn 978 3 030 34629 4

*maritime security an introduction google play* - Dec 27 2022

web maritime security an introduction ebook written by michael mcnicholas read this book using google play books app on your pc android ios devices download for offline