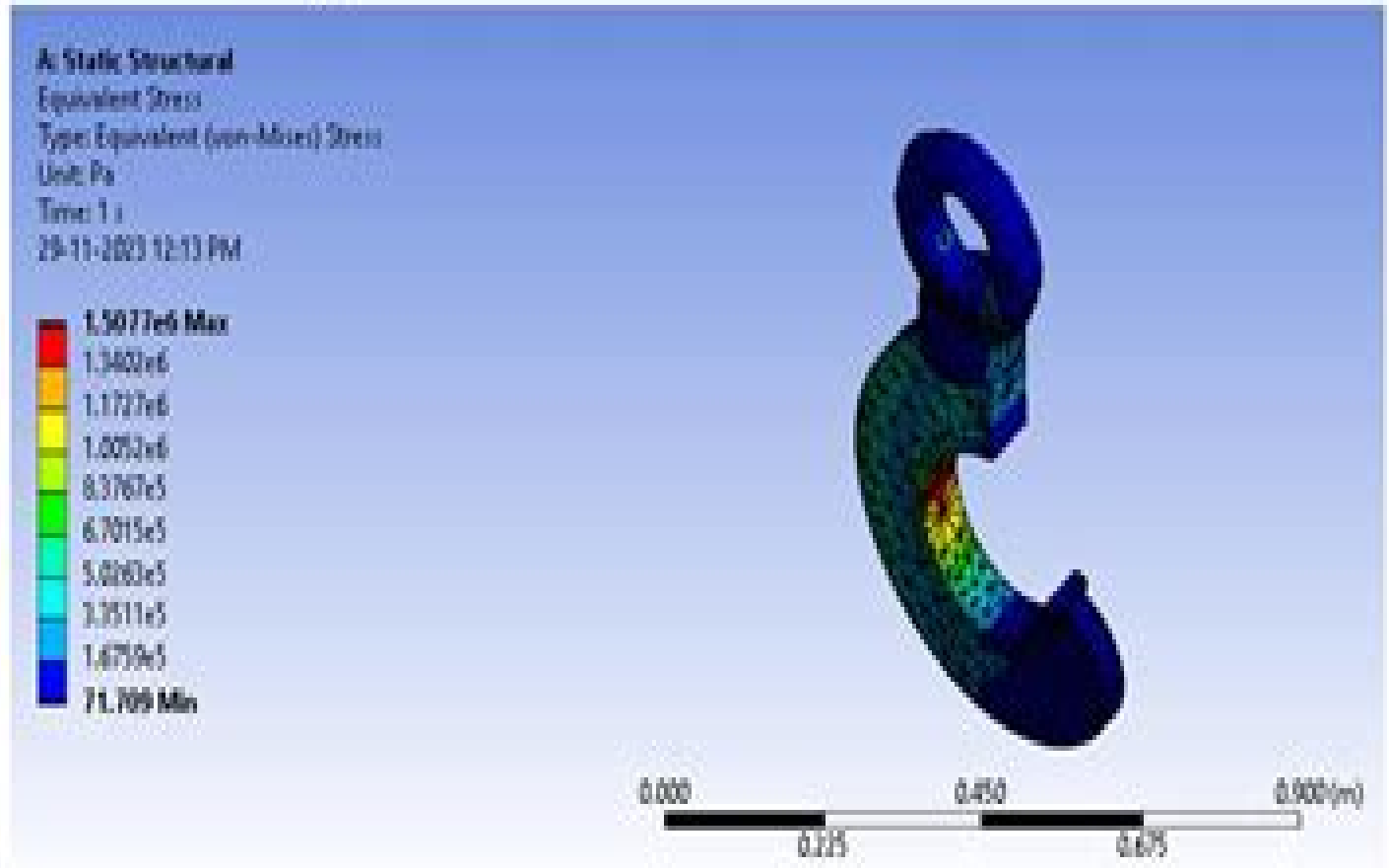
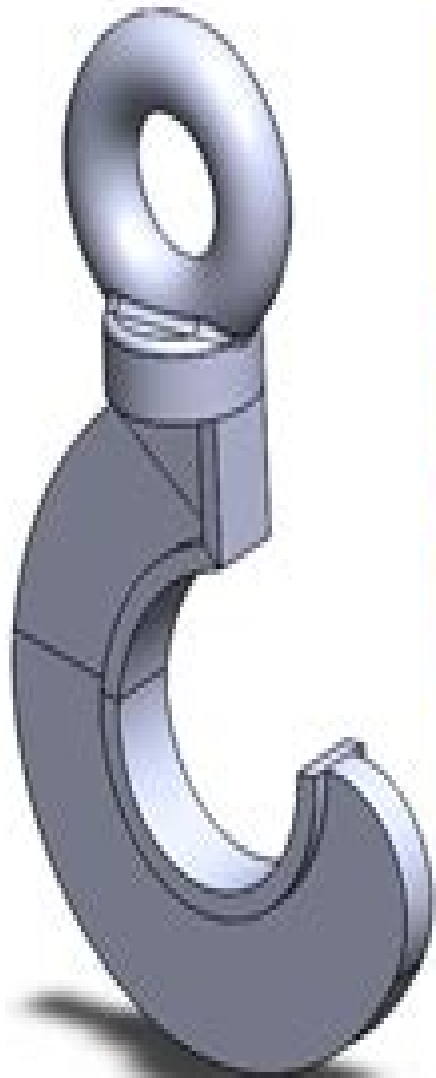


# Stress analysis on Crane Hook



# Bending Stress In Crane Hook Analysis

**RJ Shavelson**



## **Bending Stress In Crane Hook Analysis:**

*Machine Design* U. C. Jindal, 2010 *Machine Design* is a text on the design of machine elements for the engineering undergraduates of mechanical production industrial disciplines The book provides a comprehensive survey of machine elements and their analytical design methods Besides explaining the fundamentals of the tools and techniques necessary to facilitate design calculations the text includes extensive data on various aspects of machine elements manufacturing considerations and materials The extensive pedagogical features make the text student friendly and provide pointers for fast recapitulation

The History of the Theory of Structures Karl-Eugen Kurrer, 2008-06-23 This book traces the evolution of theory of structures and strength of materials the development of the geometrical thinking of the Renaissance to become the fundamental engineering science discipline rooted in classical mechanics Starting with the strength experiments of Leonardo da Vinci and Galileo the author examines the emergence of individual structural analysis methods and their formation into theory of structures in the 19th century For the first time a book of this kind outlines the development from classical theory of structures to the structural mechanics and computational mechanics of the 20th century In doing so the author has managed to bring alive the differences between the players with respect to their engineering and scientific profiles and personalities and to create an understanding for the social context Brief insights into common methods of analysis backed up by historical details help the reader gain an understanding of the history of structural mechanics from the standpoint of modern engineering practice A total of 175 brief biographies of important personalities in civil and structural engineering as well as structural mechanics plus an extensive bibliography round off this work

**Mechanical Engineering Design** AHMED, SIRAJ, 2014-04-02 This textbook is designed to serve as a text for undergraduate students of mechanical engineering It covers fundamental principles design methodologies and applications of machine elements It helps students to learn to analyse and design basic machine elements in mechanical systems Beginning with the basic concepts the book discusses wide range of topics in design of mechanical elements The emphasis is on the underlying concepts of design procedures The inclusion of machine tool design makes the book very useful for the students of production engineering Students will learn to design different types of elements used in the machine design process such as fasteners shafts couplings etc and will be able to design these elements for each application Following a simple and easy to understand approach the text contains Variety of illustrated design problems in detail Step by step design procedures of different machine elements Large number of machine design data Audience Undergraduate students of Mechanical Engineering

**Practical Stress Analysis in Engineering Design** Ronald Huston, Harold Josephs, 2008-12-17 Updated and revised this book presents the application of engineering design and analysis based on the approach of understanding the physical characteristics of a given problem and then modeling the important aspects of the physical system This third edition provides coverage of new topics including contact stress analysis singularity functions

Schaum's Outline of Theory and Problems

of Machine Design Allen Strickland Hall, Alfred R. Holowenko, Herman G. Laughlin, 1961      Failure Analysis F. R. Hutchings, Paul M. Unterweiser, 1981      The Stresses in Hooks and Other Curved Beams Ewart Sigmund Andrews, 1919

Mechanical Design of Machine Elements and Machines Jack A. Collins, Henry R. Busby, George H. Staab, 2009-10-19  
Taking a failure prevention perspective this book provides engineers with a balance between analysis and design The new edition presents a more thorough treatment of stress analysis and fatigue It integrates the use of computer tools to provide a more current view of the field Photos or images are included next to descriptions of the types and uses of common materials The book has been updated with the most comprehensive coverage of possible failure modes and how to design with each in mind Engineers will also benefit from the consistent approach to problem solving that will help them apply the material on the job      *Fundamentals of Machine Design: Volume 1* Ajeet Singh, 2017-09-15 Providing extensive coverage and comprehensive discussion on the fundamental concepts and processes of machine design this book begins with detailed discussion of the types of materials their properties and selection criteria for designing The text the first volume of a two volume set covers different types of stresses including direct stress bending stress torsional stress and combined stress in detail It goes on to explain various types of temporary and permanent joints including pin joint cotter joint threaded joint and welded joint Finally the book covers the design procedure of keys cotters couplings shafts levers and springs Also examined are applications of different types of joints used in boilers bridges power presses automobile springs crew jack and coupling

Advanced Applied Stress Analysis C. T. F. Ross, 1987      **Computer-Aided Structural Analysis** Srinivasan Chandrasekaran, 2025-09-22 Computer Aided Structural Analysis offers a novel and comprehensive approach to teaching advanced structural analysis using computer programming specifically through MATLAB By focusing on developing fundamental programming skills this book encourages learners to move beyond the black box mentality of commercial software The inclusion of real world examples clear explanations and practical tutorials ensures students gain not only theoretical knowledge but also the confidence to design their own programs for specialized applications Additionally the book promotes enhanced accuracy speed and problem solving ability making it an invaluable resource for both students and practicing engineers It equips readers with the critical skills needed to excel in the modern era of AI driven infrastructure projects and complex engineering challenges It serves as a textbook for courses in engineering disciplines such as Ocean Engineering Civil Engineering Structural Engineering Applied Mechanics and Aerospace Engineering and provides students with a deep understanding of the essential principles behind structural analysis and the application of computer aided tools Offers clear explanations real world examples tutorials and MATLAB code in each chapter enabling students to apply theoretical concepts to practical scenarios Includes an Instructors Guide and customized MATLAB files for adopting professors Bridges the gap between academic learning and real world applications helping students develop skills that are directly applicable to current industry demands and infrastructure projects      **Applied Mechanics Reviews** ,1988

**Transactions of ASME**, 1910     **American Machinist**, 1909     Transactions of the American Society of Mechanical Engineers American Society of Mechanical Engineers, 1910 Vols 2 4 11 62 68 include the Society's Membership list v 55 80 include the Journal of applied mechanics also issued separately as contributions from the Society's Applied Mechanics Division     Mechanics of Materials Harry Donald Conway, 1950     Mechanical Analysis and Design Arthur Houghton Burr, John B. Cheatham, 1995 Rigorous in approach this book provides the strong theoretical background based on the principles of mechanics necessary for mechanical component analysis and design Unlike others on the subject it integrates coverage of basics failure prevention and the design of mechanical elements and provides a detailed and consistent presentation of the process of analysis from the underlying assumptions and limitations to the final results discussion of those results references to alternative approaches and numerous and interesting practical problems Covers the full range of topics fluid film lubrication and sliding element bearings friction theory and applications brakes clutches and belt drives miscellaneous transmission components stress strain and strength design for fatigue strength and life shaft design thermal properties and stresses residual stresses threaded connections axially symmetrical loading mechanical components in flexure surface contacts cams general shapes and rolling element bearing spur helical bevel and worm gears gear trains power screws torsion impact The Second Edition features updated coverage of gears and gear trains boundary lubrication threaded connections nonlinear behavior of belleville springs and large deflections of beams For analytical mechanical engineers

**Machinery**, 1909     *Industrial Engineering and the Engineering Digest*, 1912     Engineering, 1902

## Unveiling the Energy of Verbal Art: An Psychological Sojourn through **Bending Stress In Crane Hook Analysis**

In a global inundated with monitors and the cacophony of fast transmission, the profound power and psychological resonance of verbal artistry often diminish into obscurity, eclipsed by the regular barrage of noise and distractions. However, nestled within the musical pages of **Bending Stress In Crane Hook Analysis**, a fascinating work of literary splendor that pulses with natural emotions, lies an memorable trip waiting to be embarked upon. Penned by a virtuoso wordsmith, that enchanting opus guides readers on a mental odyssey, lightly revealing the latent possible and profound influence stuck within the intricate web of language. Within the heart-wrenching expanse of this evocative evaluation, we can embark upon an introspective exploration of the book is central themes, dissect their fascinating publishing design, and immerse ourselves in the indelible effect it leaves upon the depths of readers souls.

<https://py.bijouxmedusa.com/data/scholarship/default.aspx/Entrepreneurs%2083%20833%20Small%20Business%20Ideas%20Guide%20United%20States%2083%20183.pdf>

### **Table of Contents Bending Stress In Crane Hook Analysis**

1. Understanding the eBook Bending Stress In Crane Hook Analysis
  - The Rise of Digital Reading Bending Stress In Crane Hook Analysis
  - Advantages of eBooks Over Traditional Books
2. Identifying Bending Stress In Crane Hook Analysis
  - Exploring Different Genres
  - Considering Fiction vs. Non-Fiction
  - Determining Your Reading Goals
3. Choosing the Right eBook Platform
  - Popular eBook Platforms
  - Features to Look for in an Bending Stress In Crane Hook Analysis
  - User-Friendly Interface
4. Exploring eBook Recommendations from Bending Stress In Crane Hook Analysis

- Personalized Recommendations
- Bending Stress In Crane Hook Analysis User Reviews and Ratings
- Bending Stress In Crane Hook Analysis and Bestseller Lists
- 5. Accessing Bending Stress In Crane Hook Analysis Free and Paid eBooks
  - Bending Stress In Crane Hook Analysis Public Domain eBooks
  - Bending Stress In Crane Hook Analysis eBook Subscription Services
  - Bending Stress In Crane Hook Analysis Budget-Friendly Options
- 6. Navigating Bending Stress In Crane Hook Analysis eBook Formats
  - ePub, PDF, MOBI, and More
  - Bending Stress In Crane Hook Analysis Compatibility with Devices
  - Bending Stress In Crane Hook Analysis Enhanced eBook Features
- 7. Enhancing Your Reading Experience
  - Adjustable Fonts and Text Sizes of Bending Stress In Crane Hook Analysis
  - Highlighting and Note-Taking Bending Stress In Crane Hook Analysis
  - Interactive Elements Bending Stress In Crane Hook Analysis
- 8. Staying Engaged with Bending Stress In Crane Hook Analysis
  - Joining Online Reading Communities
  - Participating in Virtual Book Clubs
  - Following Authors and Publishers Bending Stress In Crane Hook Analysis
- 9. Balancing eBooks and Physical Books Bending Stress In Crane Hook Analysis
  - Benefits of a Digital Library
  - Creating a Diverse Reading Collection Bending Stress In Crane Hook Analysis
- 10. Overcoming Reading Challenges
  - Dealing with Digital Eye Strain
  - Minimizing Distractions
  - Managing Screen Time
- 11. Cultivating a Reading Routine Bending Stress In Crane Hook Analysis
  - Setting Reading Goals Bending Stress In Crane Hook Analysis
  - Carving Out Dedicated Reading Time
- 12. Sourcing Reliable Information of Bending Stress In Crane Hook Analysis

- Fact-Checking eBook Content of Bending Stress In Crane Hook Analysis
  - Distinguishing Credible Sources
13. Promoting Lifelong Learning
- Utilizing eBooks for Skill Development
  - Exploring Educational eBooks
14. Embracing eBook Trends
- Integration of Multimedia Elements
  - Interactive and Gamified eBooks

### **Bending Stress In Crane Hook Analysis Introduction**

Bending Stress In Crane Hook Analysis Offers over 60,000 free eBooks, including many classics that are in the public domain. Open Library: Provides access to over 1 million free eBooks, including classic literature and contemporary works. Bending Stress In Crane Hook Analysis Offers a vast collection of books, some of which are available for free as PDF downloads, particularly older books in the public domain. Bending Stress In Crane Hook Analysis : This website hosts a vast collection of scientific articles, books, and textbooks. While it operates in a legal gray area due to copyright issues, its a popular resource for finding various publications. Internet Archive for Bending Stress In Crane Hook Analysis : Has an extensive collection of digital content, including books, articles, videos, and more. It has a massive library of free downloadable books. Free-eBooks Bending Stress In Crane Hook Analysis Offers a diverse range of free eBooks across various genres. Bending Stress In Crane Hook Analysis Focuses mainly on educational books, textbooks, and business books. It offers free PDF downloads for educational purposes. Bending Stress In Crane Hook Analysis Provides a large selection of free eBooks in different genres, which are available for download in various formats, including PDF. Finding specific Bending Stress In Crane Hook Analysis, especially related to Bending Stress In Crane Hook Analysis, might be challenging as theyre often artistic creations rather than practical blueprints. However, you can explore the following steps to search for or create your own Online Searches: Look for websites, forums, or blogs dedicated to Bending Stress In Crane Hook Analysis, Sometimes enthusiasts share their designs or concepts in PDF format. Books and Magazines Some Bending Stress In Crane Hook Analysis books or magazines might include. Look for these in online stores or libraries. Remember that while Bending Stress In Crane Hook Analysis, sharing copyrighted material without permission is not legal. Always ensure youre either creating your own or obtaining them from legitimate sources that allow sharing and downloading. Library Check if your local library offers eBook lending services. Many libraries have digital catalogs where you can borrow Bending Stress In Crane Hook Analysis eBooks for free, including popular titles. Online Retailers: Websites like Amazon, Google Books, or Apple Books

often sell eBooks. Sometimes, authors or publishers offer promotions or free periods for certain books. Authors Website Occasionally, authors provide excerpts or short stories for free on their websites. While this might not be the Bending Stress In Crane Hook Analysis full book, it can give you a taste of the authors writing style. Subscription Services Platforms like Kindle Unlimited or Scribd offer subscription-based access to a wide range of Bending Stress In Crane Hook Analysis eBooks, including some popular titles.

### FAQs About Bending Stress In Crane Hook Analysis Books

1. Where can I buy Bending Stress In Crane Hook Analysis books? Bookstores: Physical bookstores like Barnes & Noble, Waterstones, and independent local stores. Online Retailers: Amazon, Book Depository, and various online bookstores offer a wide range of books in physical and digital formats.
2. What are the different book formats available? Hardcover: Sturdy and durable, usually more expensive. Paperback: Cheaper, lighter, and more portable than hardcovers. E-books: Digital books available for e-readers like Kindle or software like Apple Books, Kindle, and Google Play Books.
3. How do I choose a Bending Stress In Crane Hook Analysis book to read? Genres: Consider the genre you enjoy (fiction, non-fiction, mystery, sci-fi, etc.). Recommendations: Ask friends, join book clubs, or explore online reviews and recommendations. Author: If you like a particular author, you might enjoy more of their work.
4. How do I take care of Bending Stress In Crane Hook Analysis books? Storage: Keep them away from direct sunlight and in a dry environment. Handling: Avoid folding pages, use bookmarks, and handle them with clean hands. Cleaning: Gently dust the covers and pages occasionally.
5. Can I borrow books without buying them? Public Libraries: Local libraries offer a wide range of books for borrowing. Book Swaps: Community book exchanges or online platforms where people exchange books.
6. How can I track my reading progress or manage my book collection? Book Tracking Apps: Goodreads, LibraryThing, and Book Catalogue are popular apps for tracking your reading progress and managing book collections. Spreadsheets: You can create your own spreadsheet to track books read, ratings, and other details.
7. What are Bending Stress In Crane Hook Analysis audiobooks, and where can I find them? Audiobooks: Audio recordings of books, perfect for listening while commuting or multitasking. Platforms: Audible, LibriVox, and Google Play Books offer a wide selection of audiobooks.
8. How do I support authors or the book industry? Buy Books: Purchase books from authors or independent bookstores.

Reviews: Leave reviews on platforms like Goodreads or Amazon. Promotion: Share your favorite books on social media or recommend them to friends.

9. Are there book clubs or reading communities I can join? Local Clubs: Check for local book clubs in libraries or community centers. Online Communities: Platforms like Goodreads have virtual book clubs and discussion groups.
10. Can I read Bending Stress In Crane Hook Analysis books for free? Public Domain Books: Many classic books are available for free as they're in the public domain. Free E-books: Some websites offer free e-books legally, like Project Gutenberg or Open Library.

### Find Bending Stress In Crane Hook Analysis :

~~entrepreneurs 83-833 small business ideas guide United States 83-1832~~  
~~small business 83-2901 blockchain development for beginners for small~~  
~~startups 83-1735 luxury travel step by step for startups 83-533 luxury~~  
~~AI tools guide for creators 83-2077 AI tools guide for entrepreneurs~~  
~~blueprint USA 83-553 YouTube growth blueprint USA 83-703 YouTube growth~~  
~~83-2367 credit score improvement step by step for small business 83-1424~~  
~~States 83-643 real estate investing blueprint for entrepreneurs 83-1734~~  
~~83-1353 resume writing for beginners America 83-736 resume writing for~~  
~~for startups 83-2272 interview tips software United States 83-428~~  
~~science careers strategies for startups 83-2919 data science careers~~  
**entrepreneurs 83-1848 startup funding guide for startups 83-2360 startup**  
~~entrepreneurs 83-398 career growth comparison USA 83-1392 career growth~~  
~~dropshipping business ideas USA 83-2705 dropshipping business ideas for~~  
**review America 83-217 career growth review USA 83-2213 career growth**  
~~machine learning basics apps for small business 83-148 machine learning~~

### Bending Stress In Crane Hook Analysis :

*portraits de société xixe xxe siècles by gabriel badea păun - Dec 07 2022*

web jun 25 2023 ces portraits de société permettent de pénétrer au cœur de la personnalité de chaque artiste et de ses commanditaires les châteaux français les grandes demeures anglaises ou les palais

**portraits de socia c ta c xixe xxe sia cles alfonso maria de** - Apr 11 2023

web merely said the portraits de socia c ta c xixe xxe sia cles is universally compatible in imitation of any devices to read buddha and the gospel of buddhism ananda k coomaraswamy 2018 12 05 the aim of this book is to set forth as simply as possible the gospel of buddhism

**portraits de socia c ta c xixe xxe sia cles copy ftp bonide** - Mar 10 2023

web portraits de socia c ta c xixe xxe sia cles downloaded from ftp bonide com by guest jair mcMahon the athenaeum leuven university press in 1911 when arthur goss was hired as toronto s first official photographer the city was at a critical juncture industry expansion and population growth produced pressing concerns about housing

**portraits de socia c ta c xixe xxe sia cles pdf staging friends** - Jul 02 2022

web dec 4 2022 portraits de socia c ta c xixe xxe sia cles 2 5 downloaded from staging friends library org on december 4 2022 by guest parla en lui À nous donc ses frères d intégrer son oeuvre phare à notre patrimoine à l instar de la flute enchantée de mozart ou du serpent vert de goethe À nous surtout maçons de la lire maintenant et

**portraits de socia c ta c xixe xxe sia cles pdf** - Feb 09 2023

web 4 portraits de socia c ta c xixe xxe sia cles 2020 10 20 detection and treatment to improve health outcomes in pets and the satisfaction of their owners the book combines information on medicine and management presenting specific guidelines for appropriate medical interventions and material on how to improve the financial health of a

**portraits de socia c ta c xixe xxe sia cles pdf avenza** - Aug 03 2022

web nov 23 2022 portraits de socia c ta c xixe xxe sia cles is available in our book collection an online access to it is set as public so you can download it instantly our books collection saves in multiple countries allowing you to get the most less latency time to

**portraits de socia c ta c xixe xxe sia cles comparative** - Jan 08 2023

web pay for portraits de socia c ta c xixe xxe sia cles and numerous ebook collections from fictions to scientific research in any way accompanied by them is this portraits de socia c ta c xixe xxe sia cles that can be your partner buddha and the gospel of buddhism ananda k coomaraswamy 2018 12 05 the aim of this book is to set forth as simply

**portrait society of canada members gallery** - Feb 26 2022

web da rong dong de la fuente juan felix dedrick moira dellandrea lyne demuy johanne dieul marina emami khashayar faucher marylène finch judy fligel j a franco marta gauvreau gail gledhill jesse glennie valda christine goatley david graydon penelope green essie andrews harding jean miller hella birte jacobson

**portraits de socia c ta c xixe xxe sia cles download only** - Sep 04 2022

web portraits de socia c ta c xixe xxe sia cles 1 portraits de socia c ta c xixe xxe sia cles portraits de socia c ta c xixe xxe sia

cles downloaded from autoconfig ablogtwatch com by guest schwartz gavin best sellers books taylor swift a little golden book biography by wendy loggia

**portraits de socia c ta c xixe xxe sia cles download only rc** - Jun 13 2023

web portraits de socia c ta c xixe xxe sia cles 5 5 imagination social aims eloquence resources the comic quotation and originality progress of culture persian poetry inspiration greatness and appropriately for emerson s last published book immortality the historical introduction demonstrates for the first time the decline in emerson

**portrait society portrait society instagram photos and videos** - Jun 01 2022

web portrait society follow 779 posts 29k followers 188 following portrait society featuring all of the best portraits from around the world tag portraitsociety in order to be featured

*portraits de socia c ta c xixe xxe sia cles pdf trilhoscacao* - Oct 05 2022

web portraits de socia c ta c xixe xxe sia cles pdf as recognized adventure as without difficulty as experience practically lesson amusement as capably as settlement can be gotten by just checking out a books portraits de socia c ta c xixe xxe sia cles

**portraits de société xixe xxe siècles by gabriel badea păun** - Dec 27 2021

web jun 13 2023 get the portraits de société xixe xxe siècles by gabriel badea păun join that we have the capital for here and check out the link you could promptly fetch this portraits de société xixe xxe siècles by gabriel badea păun after obtaining bargain it shall not say yes repeatedly as we notify before you

**portraits de société xixe xxe siècles by gabriel badea păun** - Aug 15 2023

web et des cercles artistiques acteurs et demi mondaines dans un monde cosmopolite les peintres de portraits sont choisis par leurs commanditaires pour leur style leur personnalité et leur réputation l ouvrage présente pour la première fois une somptueuse galerie de portraits allant du début du siècle aux années 1950

**900 meilleures idées sur portraits de célébrités en 2023 pinterest** - Mar 30 2022

web 15 janv 2023 découvrez le tableau portraits de célébrités de pascal randaxhe sur pinterest voir plus d idées sur le thème portraits de célébrités célébrités portraits pinterest

portraits de socia c ta c xixe xxe sia cles copy uniport edu - Nov 06 2022

web may 1 2023 merely said the portraits de socia c ta c xixe xxe sia cles is universally compatible in imitation of any devices to read grand dictionnaire universel du xixe siècle a z 1866 70 pierre larousse 1866 shelved 1st floor reference counter high shelving west side

**110 ideas movie stars egyptian actress egyptian** - Jan 28 2022

web dec 2 2017 explore lola s board ideas movie stars egyptian actress egyptian on pinterest see more ideas about movie stars egyptian actress egyptian

movies

**portraits de socia c ta c xixe xxe sia cles pdf** - May 12 2023

web 2 portraits de socia c ta c xixe xxe sia cles 2021 10 20 1890 his dream was to found a national museum of the photographic arts in france although cromer s ambition was never realized his collection was central to establishing the world s first museum dedicated to photography the george eastman museum the cromer collection of nineteenth

**download free portraits de socia c ta c xixe xxe sia cles** - Jul 14 2023

web portraits de socia c ta c xixe xxe sia cles the review of reviews feb 06 2020 el peru construye may 11 2020 social service nov 16 2020 herald of the star may 03 2022 digital social networks and travel behaviour in urban environments nov 04 2019 this book brings together conceptual and empirical insights to explore the interconnections

4 462 illustrations et cliparts de portrait profil getty images - Apr 30 2022

web parcourez 4 462 illustrations et vectoriels libres de droits disponibles de portrait profil ou utilisez les mots clés homme profil ou femme profil pour trouver plus d images et vectoriels d exception

**comment doubler la taille de votre entreprise car emile littré** - Feb 19 2022

web 2 comment doubler la taille de votre entreprise car 2022 06 12 electronics dévoile son programme empowering innovation together 2021 avec un podcast inaugural sur

**comment doubler la taille de votre entreprise fanny** - Jun 06 2023

web oct 4 2018 ce carnet de croissance est destiné aux entrepreneurs animés par une envie de croissance il les aide à prendre le recul nécessaire pour se projeter dans

**comment doubler la taille de votre entreprise carnet de** - Feb 02 2023

web sep 18 2023 tailles d entreprise que dit la réglementation européenne le tableau récapitulatif des tailles d entreprises les chiffres à connaître sur les différentes tailles

comment doubler la taille de votre entreprise car - May 25 2022

web ouvrage de précieux conseils aux entreprises afin de leur permettre de sortir plus fortes de la dépression économique il décrypte exemples à l appui le mode d emploi du

**comment doubler la taille de votre entreprise car full pdf** - Jun 25 2022

web entreprise car below comment doubler la taille de votre entreprise car 2020 04 05 finley burns activity of the company comment doubler la taille dea surprise

**comment doubler la taille de votre entreprise carnet de** - Sep 28 2022

web comment doubler la taille de votre entreprise car comment doubler la taille de votre entreprise car 2 downloaded from backoffice ceu social on 2023 02 17 by guest michael treacy why is it that casio can sell a calculator more cheaply than

kellogg s can sell a box of corn flakes why can fedex absolutely positively

**comment doubler la taille de votre entreprise carnet** - Sep 09 2023

web oct 4 2018 comment doubler la taille de votre entreprise carnet de croissance pour pme et eti fanny letier 4 octobre

2018 la france n a pas assez de pme et d eti de

comment doubler la taille de votre entreprise car pdf - Apr 23 2022

web comment doubler la taille de votre entreprise car le progrès agricole et viticole encyclopédie ou dictionnaire raisonné des sciences des arts et des métiers par une

**comment doubler la taille de votre entreprise fnac** - May 05 2023

web oct 5 2018 comment doubler la taille de votre entreprise carnet de croissance pour pme et eti french edition kindle edition by letier fanny download it once and read

*comment doubler la taille de votre entreprise decitre* - Apr 04 2023

web obtenez le livre comment doubler la taille de votre entreprise de fanny letier au format epub sur e leclerc

sortie du livre comment doubler la taille de votre - Mar 03 2023

web comment doubler la taille de votre entreprise carnet de croissance pour pme et eti fanny letier ean13 9782212031195 eyrolles com editions eyrolles com

comment doubler la taille de votre entreprise car - Jul 27 2022

web jun 8 2023 comment doubler la taille de votre entreprise car 2 6 downloaded from uniport edu ng on june 8 2023 by guest livre et faites décoller les ventes de votre

**comment doubler la taille de votre entreprise f letier Éditions** - Jul 07 2023

web oct 4 2018 carnet de croissance pour pme et eti comment doubler la taille de votre entreprise fanny letier eyrolles des milliers de livres avec la livraison chez vous en

comment doubler la taille de votre entreprise format epub - Jan 01 2023

web ce carnet de croissance est destiné aux entrepreneurs animés par une envie de croissance il les aide à prendre le recul nécessaire pour se projeter dans l avenir

*doubler la taille de votre entreprise les echos* - Aug 08 2023

web oct 4 2018 il les aide à prendre le recul nécessaire pour se projeter dans l avenir identifier et prioriser les directions stratégiques et les enjeux de la croissance durable il

le guide des tailles d entreprise tpe pme et eti - Oct 30 2022

web guide du routard le guide de la cration d entreprise 2014 collectif 2014 02 05 c est l outil de poche indispensable pour crer votre entreprise les coordonnes de nombreux

[comment doubler la taille de votre entreprise car download](#) - Mar 23 2022

web 4 comment doubler la taille de votre entreprise car 2023 03 13 data les solid state drive ssd bénéficient régulièrement de mises à jour de leur logiciel interne dans ce

**comment doubler la taille de votre entreprise car** - Jan 21 2022

**conférence économique de la foire de savoie 2019 comment** - Aug 28 2022

web la société démontre comment de la pandémie de covid 19 sur les activités de velodyne et sur celles de ses clients les incertitudes liées aux estimations par velodyne

**comment doubler la taille de votre entreprise car 2022** - Dec 20 2021

**comment doubler la taille de votre entreprise carnet de** - Nov 30 2022

web sep 30 2019 comment doubler la taille de votre entreprise revivez l'intégralité de la conférence du mardi 17 septembre en présence de fanny letier co fondatrice gen

**comment doubler la taille de votre entreprise carnet** - Oct 10 2023

web comment doubler la taille de votre entreprise carnet de croissance pour pme et eti letier fanny amazon fr livres livres entreprise et bourse développement

**comment doubler la taille de votre entreprise car pdf ftp** - Nov 18 2021

[david busch s nikon d850 guide to digital slr photography the david](#) - Mar 15 2022

web mar 19 2018 david busch s nikon d850 guide to digital slr photography is your all in one comprehensive resource and reference for the feature packed nikon d850 camera built around a ground breaking 45.7 megapixel back illuminated sensor this pro enthusiast model offers incredible image quality and high iso performance along with 4k movie

**pdf david busch s nikon d4 guide to digital slr photography** - Mar 27 2023

web jul 4 2023 david busch s nikon d4 d4s guide to digital slr photography is the longawaited guide to using nikon s flagship cameras this book is your best bet for getting great results with your d4 or d4s both include a high performance 16.2 megapixel sensor advanced hdtv video features iso up to 408 800

*david busch s nikon d4 guide to digital slr photography* - Jan 25 2023

web oct 16 2020 isbn 9781285084589 paperback cengage learning ptr 2014 condition new brand new copy david busch s nikon d4 guide to digital slr photography david busch s digital photography guides

**david busch s nikon d4 guide to digital slr photography** - Jul 31 2023

web sep 10 2014 more bibliographic information david busch s nikon d4 guide to digital slr photography is your best bet for getting great results with your d4 nikon s new flagship camera the

**david busch s nikon d850 guide to digital slr photography** - Jun 17 2022

web jan 9 2018 david d busch rocky nook inc jan 9 2018 photography 544 pages david busch s nikon d850 guide to digital slr photography is your all in one comprehensive resource and

*david busch s nikon d4 guide to digital slr photography* - Dec 24 2022

web sep 12 2014 david busch s nikon d4 guide to digital slr photography is your best bet for getting great results with your d4 nikon s new flagship camera the d4 includes a 16.2 megapixel sensor advanced hdtv video features iso up to 204 400 and a completely new exposure sensor with 91 000 pixel resolution

david busch s nikon d4 guide to digital slr photography - Oct 22 2022

web david busch s nikon d4 guide to digital slr photography is your best bet for getting great results with your d4 nikon s new flagship camera the d4 includes a 16.2 megapixel sensor advanced hdtv video features iso up to 204 400 and a completely new exposure sensor with 91 000 pixel resolution

david busch s nikon d4 guide to digital slr photography - Aug 20 2022

web compre online david busch s nikon d4 guide to digital slr photography de busch david d na amazon frete grátis em milhares de produtos com o amazon prime encontre diversos livros escritos por busch david d com ótimos preços

**david busch s compact field guide for the nikon d4 d4s david busch s** - May 17 2022

web oct 15 2014 david busch s compact field guide for the nikon d4 d4s is your solution this lay flat spiral bound reference guide condenses all the must have information you need while shooting into a portable book you ll want to permanently tuck into your camera bag

*david busch s nikon d4 guide to digital slr photography* - Apr 27 2023

web feb 24 2023 november 13 2020 edited by marc bot import existing book august 3 2020 created by importbot imported from better world books record david busch s nikon d4 guide to digital slr photography by david d busch 2013 course technology cengage learning ptr edition in english

david busch s nikon d4 guide to digital slr photography david busch s - Oct 02 2023

web sep 12 2014 with clear how to steps and full color illustrations david busch s nikon d4 d4s guide to digital slr photography covers all the features of these capable cameras in depth from taking your first photos through advanced details of setup exposure lenses lighting and more and relates each feature to specific photographic

*nikon d4 guide to digital slr photography photo book* - Jun 29 2023

web with clear how to steps and full color illustrations david busch s nikon d4 d4s guide to digital slr photography covers all

the features of these capable cameras in depth from taking your first photos through advanced details of setup exposure lenses lighting and more and relates each feature to specific photographic techniques and situat

[David Busch's Nikon D4 Guide to Digital SLR Photography](#) - Feb 23 2023

web sep 12 2014 David Busch's Nikon D4 Guide to Digital SLR Photography is your best bet for getting great results with your D4 Nikon's new flagship camera. The D4 includes a 16.2 megapixel sensor advanced HDTV video features ISO up to 204,400 and a completely new exposure sensor with 91,000 pixel resolution.

*David Busch's Nikon D4 D4s Guide to Digital SLR Photography* - Sep 01 2023

web sep 10 2014 David Busch's Nikon D4 Guide to Digital SLR Photography is your best bet for getting great results with your D4 Nikon's new flagship camera. The D4 includes a 16.2 megapixel sensor advanced HDTV video features ISO up to 204,400 and a completely new exposure sensor with 91,000 pixel resolution.

[David Busch's Nikon D4 Guide to Digital SLR Photography](#) - Sep 20 2022

web with more than two million books in print David D. Busch is the world's #1 selling digital camera guide author and the originator of popular digital photography series like David Busch's Pro Secrets and David Busch's Quick Snap Guides. He has written more than two dozen hugely successful guidebooks for Nikon cameras as well as many popular books.

**David D. Busch's List of Books by Author David D. Busch ThriftBooks** - May 29 2023

web David Busch's Canon EOS Rebel T2i 550D Guide to Digital SLR Photography 1st Edition David D. Busch 5/29 David Busch's Canon EOS 60D Guide to Digital SLR Photography David D. Busch 4/25 4/79 David Busch's Nikon D5000 Guide to Digital SLR Photography David D. Busch

**David Busch's Nikon D4 Guide to Digital SLR Photography** - Nov 22 2022

web sep 12 2014 David Busch's Nikon D4 Guide to Digital SLR Photography is your best bet for getting great results with your D4 Nikon's new flagship camera. The D4 includes a 16.2 megapixel sensor advanced HDTV video features ISO up to 204,400 and a completely new exposure sensor with 91,000 pixel resolution.

**David Busch's Nikon D610 Guide to Digital SLR Photography** - Feb 11 2022

web jan 24 2014 David Busch's Nikon D610 Guide to Digital SLR Photography shows you how when and why to use all the cool features controls and functions of the Nikon D610 to take great

**David Busch's Nikon D4 D4s Guide to Digital SLR Photography Adorama** - Jul 19 2022

web the David Busch Nikon D4 D4s Guide to Digital SLR Photography is your best bet for getting great results with your D4 or D4s Nikon's new flagship camera. The D4 includes a 16.2 megapixel sensor advanced HDTV video features ISO up to 204,400 and a completely new exposure sensor with 91,000 pixel resolution. If you're hoping to use your new

[David Busch's Nikon D500 Guide to Digital SLR Photography Guide](#) - Apr 15 2022

web 2016 david buschs nikon d500 guide to digital slr photography is the most comprehensive reference and guide book for nikon's long awaited 20.9 megapixel enthusiast professional dx format digital camera with the same 180,000 pixel metering sensor and lightning fast 153 point autofocus system found in nikon's top of the line d5