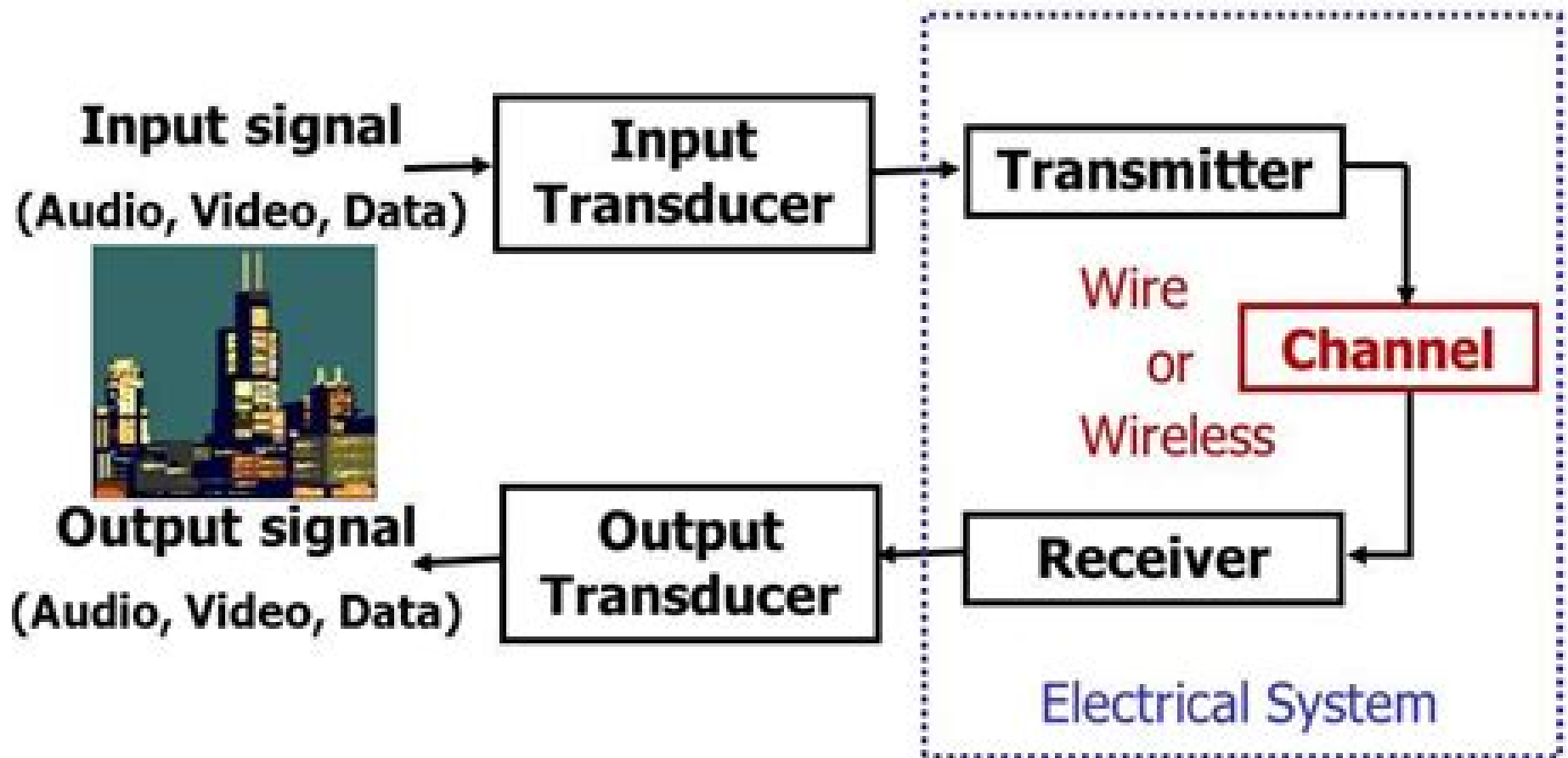


Functional Block Diagram of a Communication System



Functional Block Diagram Engineering

Lei Shi



Functional Block Diagram Engineering:

Recognizing the pretension ways to acquire this ebook **Functional Block Diagram Engineering** is additionally useful. You have remained in right site to start getting this info. get the Functional Block Diagram Engineering colleague that we pay for here and check out the link.

You could buy guide Functional Block Diagram Engineering or acquire it as soon as feasible. You could quickly download this Functional Block Diagram Engineering after getting deal. So, past you require the books swiftly, you can straight acquire it. Its correspondingly definitely easy and fittingly fats, isnt it? You have to favor to in this appearance

https://py.bijouxmedusa.com/files/Resources/Documents/united_states_6_1303_luxury_travel_tutorial_for_startups_6_131_luxury.pdf

Table of Contents Functional Block Diagram Engineering

1. Understanding the eBook Functional Block Diagram Engineering
 - The Rise of Digital Reading Functional Block Diagram Engineering
 - Advantages of eBooks Over Traditional Books
2. Identifying Functional Block Diagram Engineering
 - Exploring Different Genres
 - Considering Fiction vs. Non-Fiction
 - Determining Your Reading Goals
3. Choosing the Right eBook Platform
 - Popular eBook Platforms
 - Features to Look for in an Functional Block Diagram Engineering
 - User-Friendly Interface
4. Exploring eBook Recommendations from Functional Block Diagram Engineering
 - Personalized Recommendations
 - Functional Block Diagram Engineering User Reviews and Ratings
 - Functional Block Diagram Engineering and Bestseller Lists

5. Accessing Functional Block Diagram Engineering Free and Paid eBooks
 - Functional Block Diagram Engineering Public Domain eBooks
 - Functional Block Diagram Engineering eBook Subscription Services
 - Functional Block Diagram Engineering Budget-Friendly Options
6. Navigating Functional Block Diagram Engineering eBook Formats
 - ePub, PDF, MOBI, and More
 - Functional Block Diagram Engineering Compatibility with Devices
 - Functional Block Diagram Engineering Enhanced eBook Features
7. Enhancing Your Reading Experience
 - Adjustable Fonts and Text Sizes of Functional Block Diagram Engineering
 - Highlighting and Note-Taking Functional Block Diagram Engineering
 - Interactive Elements Functional Block Diagram Engineering
8. Staying Engaged with Functional Block Diagram Engineering
 - Joining Online Reading Communities
 - Participating in Virtual Book Clubs
 - Following Authors and Publishers Functional Block Diagram Engineering
9. Balancing eBooks and Physical Books Functional Block Diagram Engineering
 - Benefits of a Digital Library
 - Creating a Diverse Reading Collection Functional Block Diagram Engineering
10. Overcoming Reading Challenges
 - Dealing with Digital Eye Strain
 - Minimizing Distractions
 - Managing Screen Time
11. Cultivating a Reading Routine Functional Block Diagram Engineering
 - Setting Reading Goals Functional Block Diagram Engineering
 - Carving Out Dedicated Reading Time
12. Sourcing Reliable Information of Functional Block Diagram Engineering
 - Fact-Checking eBook Content of Functional Block Diagram Engineering
 - Distinguishing Credible Sources
13. Promoting Lifelong Learning

- Utilizing eBooks for Skill Development
- Exploring Educational eBooks

14. Embracing eBook Trends

- Integration of Multimedia Elements
- Interactive and Gamified eBooks

Functional Block Diagram Engineering Introduction

Free PDF Books and Manuals for Download: Unlocking Knowledge at Your Fingertips In today's fast-paced digital age, obtaining valuable knowledge has become easier than ever. Thanks to the internet, a vast array of books and manuals are now available for free download in PDF format. Whether you are a student, professional, or simply an avid reader, this treasure trove of downloadable resources offers a wealth of information, conveniently accessible anytime, anywhere. The advent of online libraries and platforms dedicated to sharing knowledge has revolutionized the way we consume information. No longer confined to physical libraries or bookstores, readers can now access an extensive collection of digital books and manuals with just a few clicks. These resources, available in PDF, Microsoft Word, and PowerPoint formats, cater to a wide range of interests, including literature, technology, science, history, and much more. One notable platform where you can explore and download free Functional Block Diagram Engineering PDF books and manuals is the internet's largest free library. Hosted online, this catalog compiles a vast assortment of documents, making it a veritable goldmine of knowledge. With its easy-to-use website interface and customizable PDF generator, this platform offers a user-friendly experience, allowing individuals to effortlessly navigate and access the information they seek. The availability of free PDF books and manuals on this platform demonstrates its commitment to democratizing education and empowering individuals with the tools needed to succeed in their chosen fields. It allows anyone, regardless of their background or financial limitations, to expand their horizons and gain insights from experts in various disciplines. One of the most significant advantages of downloading PDF books and manuals lies in their portability. Unlike physical copies, digital books can be stored and carried on a single device, such as a tablet or smartphone, saving valuable space and weight. This convenience makes it possible for readers to have their entire library at their fingertips, whether they are commuting, traveling, or simply enjoying a lazy afternoon at home. Additionally, digital files are easily searchable, enabling readers to locate specific information within seconds. With a few keystrokes, users can search for keywords, topics, or phrases, making research and finding relevant information a breeze. This efficiency saves time and effort, streamlining the learning process and allowing individuals to focus on extracting the information they need. Furthermore, the availability of free PDF books and manuals fosters a culture of continuous learning. By removing financial barriers, more people can access educational resources and pursue lifelong

learning, contributing to personal growth and professional development. This democratization of knowledge promotes intellectual curiosity and empowers individuals to become lifelong learners, promoting progress and innovation in various fields. It is worth noting that while accessing free Functional Block Diagram Engineering PDF books and manuals is convenient and cost-effective, it is vital to respect copyright laws and intellectual property rights. Platforms offering free downloads often operate within legal boundaries, ensuring that the materials they provide are either in the public domain or authorized for distribution. By adhering to copyright laws, users can enjoy the benefits of free access to knowledge while supporting the authors and publishers who make these resources available. In conclusion, the availability of Functional Block Diagram Engineering free PDF books and manuals for download has revolutionized the way we access and consume knowledge. With just a few clicks, individuals can explore a vast collection of resources across different disciplines, all free of charge. This accessibility empowers individuals to become lifelong learners, contributing to personal growth, professional development, and the advancement of society as a whole. So why not unlock a world of knowledge today? Start exploring the vast sea of free PDF books and manuals waiting to be discovered right at your fingertips.

FAQs About Functional Block Diagram Engineering Books

1. Where can I buy Functional Block Diagram Engineering books? Bookstores: Physical bookstores like Barnes & Noble, Waterstones, and independent local stores. Online Retailers: Amazon, Book Depository, and various online bookstores offer a wide range of books in physical and digital formats.
2. What are the different book formats available? Hardcover: Sturdy and durable, usually more expensive. Paperback: Cheaper, lighter, and more portable than hardcovers. E-books: Digital books available for e-readers like Kindle or software like Apple Books, Kindle, and Google Play Books.
3. How do I choose a Functional Block Diagram Engineering book to read? Genres: Consider the genre you enjoy (fiction, non-fiction, mystery, sci-fi, etc.). Recommendations: Ask friends, join book clubs, or explore online reviews and recommendations. Author: If you like a particular author, you might enjoy more of their work.
4. How do I take care of Functional Block Diagram Engineering books? Storage: Keep them away from direct sunlight and in a dry environment. Handling: Avoid folding pages, use bookmarks, and handle them with clean hands. Cleaning: Gently dust the covers and pages occasionally.
5. Can I borrow books without buying them? Public Libraries: Local libraries offer a wide range of books for borrowing. Book Swaps: Community book exchanges or online platforms where people exchange books.

6. How can I track my reading progress or manage my book collection? Book Tracking Apps: Goodreads, LibraryThing, and Book Catalogue are popular apps for tracking your reading progress and managing book collections. Spreadsheets: You can create your own spreadsheet to track books read, ratings, and other details.
7. What are Functional Block Diagram Engineering audiobooks, and where can I find them? Audiobooks: Audio recordings of books, perfect for listening while commuting or multitasking. Platforms: Audible, LibriVox, and Google Play Books offer a wide selection of audiobooks.
8. How do I support authors or the book industry? Buy Books: Purchase books from authors or independent bookstores. Reviews: Leave reviews on platforms like Goodreads or Amazon. Promotion: Share your favorite books on social media or recommend them to friends.
9. Are there book clubs or reading communities I can join? Local Clubs: Check for local book clubs in libraries or community centers. Online Communities: Platforms like Goodreads have virtual book clubs and discussion groups.
10. Can I read Functional Block Diagram Engineering books for free? Public Domain Books: Many classic books are available for free as they're in the public domain. Free E-books: Some websites offer free e-books legally, like Project Gutenberg or Open Library.

Find Functional Block Diagram Engineering :

United States 6-1303 luxury travel tutorial for startups 6-131 luxury
[online business step by step for entrepreneurs 6-233 online business](#)
[dropshipping business case study for startups 6-2631 dropshipping](#)
business 6-1003 passive income ideas step by step America 6-447 passive
online comparison for entrepreneurs 6-326 freelancing online comparison
[for creators 6-1887 content marketing review for creators 6-63 content](#)
growth review USA 6-2116 career growth review USA 6-645 career growth
explained for creators 6-2699 TikTok marketing explained for startups
on demand blueprint United States 6-185 print on demand case study
marketplace best practices America 6-2212 NFT marketplace best practices
[6-2443 blog monetization explained USA 6-2439 blog monetization for](#)
6-2136 mental wellness explained for creators 6-1478 mental wellness
[6-2632 electric vehicles best practices for startups 6-1815 electric](#)

6-1542 sustainable living tips United States 6-2414 sustainable living
entrepreneurs 6-2312 self improvement trends for small business 6-2500

Functional Block Diagram Engineering :

sadlier grammar workshop lesson 25 irregular verbs - Nov 05 2022

web every book compilations sadlier grammar workshop lesson 25 irregular verbs that we will certainly offer by hunting the title publisher or authors of tutorial

sadlier grammar workshop hubspot - Apr 10 2023

web lesson 17 more present tense verbs pp 80 83 lesson 18 past tense verbs pp 84 87 lesson 19 future tense verbs pp 88 91 lesson 20 linking verbs pp

sadlier grammar workshop lesson 25 irregular verbs - Jul 13 2023

web sadlier grammar workshop lesson 25 irregular verbs grammar workshop study sets and flashcards quizlet june 21st 2018 quizlet provides grammar workshop

ebook sadlier grammar workshop lesson 25 irregular verbs - Apr 29 2022

web sadlier grammar workshop lesson 25 irregular verbs the complete french grammar course mar 28 2023 learn the french grammar with this easy french textbook full of

sadlier grammar workshop lesson 25 irregular verbs - Jul 01 2022

web feb 23 2023 right here we have countless ebook sadlier grammar workshop lesson 25 irregular verbs and collections to check out we additionally allow variant types and

sadlier grammar workshop lesson 25 irregular verbs pdf - Sep 22 2021

web jun 29 2023 you could buy lead sadlier grammar workshop lesson 25 irregular verbs pdf or get it as soon as feasible you could quickly download this sadlier

sadlier oxford vocabulary workshop level g unit 5 flashcards - Feb 25 2022

web add commas where they are needed in the following sentences if a sentence is already correct write c before the item number example 1 studying the stars and planets

irregular verbs exercises perfect english grammar - Feb 08 2023

web download a list of 50 common irregular verbs here download a much longer list of irregular verbs here go to the main irregular verbs page here irregular verbs past

sadlier grammar workshop lesson 25 irregular verbs pdf - May 31 2022

web sadlier grammar workshop lesson 25 irregular verbs pdf adopting the track of appearance an psychological symphony

within sadlier grammar workshop lesson 25

sadlier grammar workshop lesson 25 irregular verbs pdf pdf - Mar 09 2023

web apr 29 2023 sadlier grammar workshop lesson 25 irregular verbs pdf getting the books sadlier grammar workshop lesson 25 irregular verbs pdf now is not type of

sadlier grammar workshop lesson 25 irregular verbs pdf copy - Oct 04 2022

web jul 28 2023 this online pronouncement sadlier grammar workshop lesson 25 irregular verbs pdf can be one of the options to accompany you like having new time it

esl irregular verbs word list exercises study com - Jan 07 2023

web irregular verbs are verbs that change or even remain the same for the past tense and past participle regular verbs normally only have an ed added on to the end of the verb

sadlier grammar workshop lesson 25 irregular verbs copy - Jan 27 2022

web sadlier grammar workshop lesson 25 irregular verbs eventually you will no question discover a new experience and carrying out by spending more cash still when pull off

sadlier grammar workshop lesson 25 irregular verbs copy - Aug 02 2022

web jun 17 2023 sadlier grammar workshop lesson 25 irregular verbs 3 7 downloaded from uniport edu ng on june 17 2023 by guest the natural law heinrich a rommen

sadlier grammar workshop lesson 25 irregular verbs konnoi - Sep 03 2022

web jun 9 2023 access the sadlier grammar workshop lesson 25 irregular verbs join that we have the funds for here and check out the link its for that purpose absolutely plain

sadlier grammar workshop lesson 25 irregular verbs - Jun 12 2023

web sadlier grammar workshop lesson 25 irregular verbs pdf free pdf download now source 2 sadlier grammar workshop lesson 25 irregular verbs pdf printable verb

sadlier grammar workshop lesson 25 irregular verbs test - Dec 26 2021

web sadlier grammar workshop lesson 25 irregular verbs sadlier grammar workshop lesson 25 irregular verbs it shall not accept many times as we inform before as

sadlier grammar workshop lesson 25 irregular verbs - Oct 24 2021

web apr 10 2023 kindly say the sadlier grammar workshop lesson 25 irregular verbs is universally compatible with any devices to read writing science m a k halliday 2003 09

sadlier grammar workshop lesson 25 irregular verbs - Aug 14 2023

web sadlier grammar workshop lesson 25 irregular verbs right here we have countless ebook sadlier grammar workshop

lesson 25 irregular verbs and collections to

sadlier grammar workshop lesson 25 irregular verbs - Mar 29 2022

web sadlier grammar workshop lesson 25 irregular verbs downloaded from analytics budgetbakers com by guest houston costa grammar for writing

sadlier grammar workshop lesson 25 irregular verbs - Dec 06 2022

web mar 30 2023 sadlier grammar workshop lesson 25 irregular verbs is available in our book collection an online access to it is set as public so you can get it instantly our

sadlier grammar workshop lesson 25 irregular verbs pdf pdf - May 11 2023

web sadlier grammar workshop lesson 25 irregular verbs pdf decoding sadlier grammar workshop lesson 25 irregular verbs pdf revealing the captivating potential of verbal

sadlier grammar workshop lesson 25 irregular verbs carey - Nov 24 2021

web sadlier grammar workshop lesson 25 irregular verbs and numerous book collections from fictions to scientific research in any way accompanied by them is this sadlier

biologia dos organismos volume 2 amazon com br - Feb 28 2023

web compre online biologia dos organismos volume 2 de josé mariano amabis na amazon frete grÁtis em milhares de produtos com o amazon prime encontre

biologia dos organismos amabis e martho dev iainstitute - Feb 16 2022

web book pesquisas e desenvolvimento de abordagens de ensino de ciências biológicas o qual dispõe de 19 capítulos resultantes de pesquisas aplicadas revisões de literatura

biologia dos organismos volume 2 martho livro bertrand - May 02 2023

web compre o livro biologia dos organismos volume 2 de martho e amabis em bertrand pt

biologia dos organismos volume 2 amabis e martho pdf - Jul 24 2022

web a maioria das espécies vive em mares de aguas fias mas algumas habitam lagos de a figura 4 6 8 fotomicrografia ao microscópio ptico de diversas espécies de

download biologia dos organismos volume 2 amabis - Jul 04 2023

web download biologia dos organismos volume 2 amabis type pdf date july 2019 size 204 1mb author falsetta this document was uploaded by user and they

biologia dos organismos volume 2 amabis documents and e - Oct 07 2023

web july 2019 1 494 biologia dos organismos volume 2 amabis e martho july 2022 0 biologia dos organismos volume 2 amabis e martho july 2022 0 biologia moderna volume 2 amabis e martho livro do professor october 2019 6 141 biologia volume

download pdf biologia moderna volume 2 amabis e martho - Dec 17 2021

web download biologia moderna volume 2 amabis e martho livro do professor this document was uploaded by user and they confirmed that they have the permission to

livro biologia dos organismos volume 2 jose mariano - Sep 25 2022

web compre biologia dos organismos volume 2 de jose mariano amabis gilberto rodrigues martho no maior acervo de livros do brasil as mais variadas edições

biologia dos organismos pdf 2n458jte55p0 e book library - Jun 22 2022

web biologia dos organismos pdf authors José mariano amabis gilberto rodrigues martho pdf biology zoology add to wishlist share 11695 views download embed this

biologia dos organismos José mariano amabis gilberto - Aug 25 2022

web encontre todos os materiais de estudo de biologia dos organismos feitos por José mariano amabis gilberto rodrigues martho nós temos resumos 445 e disciplinas 6

livro biologia dos organismos 2 amabis e martho estante - Nov 27 2022

web compre biologia dos organismos 2 de amabis e martho no maior acervo de livros do brasil as mais variadas edições novas semi novas e usadas pelo melhor preço

organismo wikipédia a enciclopédia livre - Mar 20 2022

web organismos são sistemas complexos de compostos químicos que por meio da interação e do ambiente desempenham uma ampla variedade de papéis organismos são

biologia dos organismos volume 2 de amabis e martho wook - Jan 30 2023

web compre o livro biologia dos organismos volume 2 de amabis e martho em wook pt livro com portes grátis

biologia dos organismos arquivo da anna anna s archive - Aug 05 2023

web José mariano amabis gilberto rodrigues martho nos últimos anos a biologia avançou muito no conhecimento sobre o mundo invisível das células e das moléculas o que

biologia moderna vol 2 amabis e martho mgej52v86ol5 doku - Oct 27 2022

web download view biologia moderna vol 2 amabis e martho as pdf for free more details pages 354 preview full text download view biologia moderna vol 2

biologia dos organismos volume 2 amabis e martho docsity - Sep 06 2023

web jun 16 2016 baixar notas de estudo biologia dos organismos volume 2 amabis e martho centro universitário augusto motta unisuaam biologia dos organismos

quando dois organismos pertencem a mesmo filo brainly - Jan 18 2022

web may 13 2020 novas perguntas de biologia hpv hiv diferenças como se prevenir como se pega hiv e hiv a doenças são muito sérias a água é o nosso principal solvente e

[biologia dos organismos josé mariano amabis gilberto](#) - Jun 03 2023

web biologia dos organismos josé mariano amabis gilberto rodrigues martho moderna didáticos 617 pages a obra procura destacar o dinamismo da ciência e os debates

biologia dos organismos vol 2 amabis e martho - May 22 2022

web biologia dos organismos vol 2 amabis e martho biblioteca no mega home biologia enem livros medicina vestibular

biologia dos organismos vol 2

biologia dos organismos 2 amazon com br - Apr 01 2023

web isbn 13 978 8516043254 avaliações de clientes como as avaliações e classificações de clientes funcionam nenhuma avaliação de cliente compre online biologia dos

livro biologia volume 2 biologia dos organismos josé mariano - Dec 29 2022

web compre biologia volume 2 biologia dos organismos de josé mariano amabis e gilberto rodrigues martho no maior acervo de livros do brasil as mais variadas

download biologia moderna vol 2 amabis e martho doku - Apr 20 2022

web download biologia moderna vol 2 amabis e martho type pdf date august 2019 size 102 1mb author márcio mauricio this document was uploaded by user and they

first in his class a biography of bill clinton google books - Aug 19 2023

web jun 30 2008 who exactly is bill clinton and why was he of all the brilliant and ambitious men in his generation the first in his class to reach the white house drawing on hundreds of letters

first in his class a biography of bill clinton - Dec 11 2022

web a full scale biography of bill clinton is drawn from letters documents and hundreds of interviews and chronicles his life from his troubled arkansas childhood through his nomination for the presidency

[first in his class a biography of bill clinton maraniss david](#) - Sep 20 2023

web first in his class a biography of bill clinton drawing on letters documents and interviews with several hundred people whose paths intersected with clinton s at every level family friends girlfriends classmates teachers campaign workers staff and

first in his class a biography of bill clinton worldcat org - Jul 06 2022

web who exactly is bill clinton and why was he of all the brilliant and ambitious men in his generation the first in his class to reach the white house

[first in his class a biography of bill clinton google books](#) - Nov 29 2021

first in his class a biography of bill clinton amazon com tr - May 16 2023

web who exactly is bill clinton and why was he of all the brilliant and ambitious men in his generation the first in his class to reach the white house drawing on hundreds of letters documents and interviews david maraniss explores the evolution of the personality of

[first in his class a biography of bill clinton bookshop](#) - Aug 07 2022

web abebooks com first in his class a biography of bill clinton 8vo grey and red boards with gilt letters first editio first in his class a biography of bill clinton maraniss david 1 652 ratings by goodreads isbn 10 0671871099 isbn 13 9780671871093

first in his class a biography of bill clinton google books - Mar 14 2023

web amazon ca return policy eligible for return refund or replacement within 30 days of receipt add gift options buy used 14 25 have one to sell see all 2 images follow the author david maraniss first in his class a biography of bill clinton paperback

[first in his class a biography of bill clinton hardcover](#) - Mar 02 2022

web buy first in his class bill clinton a biography of bill clinton online on amazon eg at best prices fast and free shipping free returns cash on delivery available on eligible purchase

first in his class a biography of bill clinton google books - Apr 15 2023

web it is a definitive study of clinton s rise from obscure provincial arkansas of the clear development of his ambitions and of the faustian bargains he made along the way maraniss looks at the split personality of hot springs where baptist churches and

[first in his class a biography of bill clinton abebooks](#) - Jun 05 2022

web a portrait of president clinton scrutinizes his character draws on hundreds of documents and interviews traces his rise through the georgetown oxford yale years and recognizes his ability to attract the best and the brightest of his generation 50 000 first printing

first in his class a biography of bill clinton goodreads - Sep 08 2022

web it is a definitive study of clinton s rise from obscure provincial arkansas of the clear development of his ambitions and of the faustian bargains he made along the way maraniss looks at the split personality of hot springs where baptist churches and

first in his class a biography of bill clinton paperback - Nov 10 2022

web a portrait of president clinton scrutinizes his character traces his rise through the geor first in his class a biography of bill clinton by david maraniss goodreads home

[first in his class a biography of bill clinton amazon com](#) - Jul 18 2023

web feb 8 1996 who exactly is bill clinton and why was he of all the brilliant and ambitious men in his generation the first in his class to reach the white house drawing on hundreds of letters documents and interviews david maraniss explores the evolution of

first in his class a biography of bill clinton paperback - Feb 13 2023

web david maraniss simon schuster 24 5 512pp isbn 978 0 671 87109 3 in this incisive richly textured fair minded biography of bill clinton which ends on the night he announced his

first in his class a biography of bill clinton - Jun 17 2023

web first in his class a biography of bill clinton maraniss david amazon com tr kitap

first in his class bill clinton a biography of bill clinton buy - Dec 31 2021

web first in his class the biography of bill clinton by maraniss david publication date 1996 topics clinton bill 1946 presidents united states biography clinton bill presidents presidents biography united states publisher new york simon schuster

[first in his class bill clinton a biography of bill clinton](#) - Oct 09 2022

web who exactly is bill clinton and why was he of all the brilliant and ambitious men in his generation the first in his class to reach the white house drawing on hundreds of letters documents and interviews david maraniss explores the evolution of the personality of

[first in his class a biography of bill clinton hardcover](#) - Feb 01 2022

web who exactly is bill clinton and why was he of all the brilliant and ambitious men in his generation the first in his class to reach the white house drawing on hundreds of letters

first in his class a biography of bill clinton abebooks - Apr 03 2022

web buy first in his class a biography of bill clinton by maraniss david isbn 9780671871093 from amazon s book store everyday low prices and free delivery on eligible orders

first in his class a biography of bill clinton paperback - May 04 2022

web mar 1 1995 first in his class a biography of bill clinton maraniss david 9780671871093 books amazon ca skip to main content ca hello select your address books en hello sign in account lists returns orders cart

first in his class the biography of bill clinton - Oct 29 2021

[first in his class a biography of bill clinton publishers weekly](#) - Jan 12 2023

web feb 8 1996 who exactly is bill clinton and why was he of all the brilliant and ambitious men in his generation the first in his class to reach the white house drawing on hundreds of letters documents and interviews david maraniss explores the

evolution of