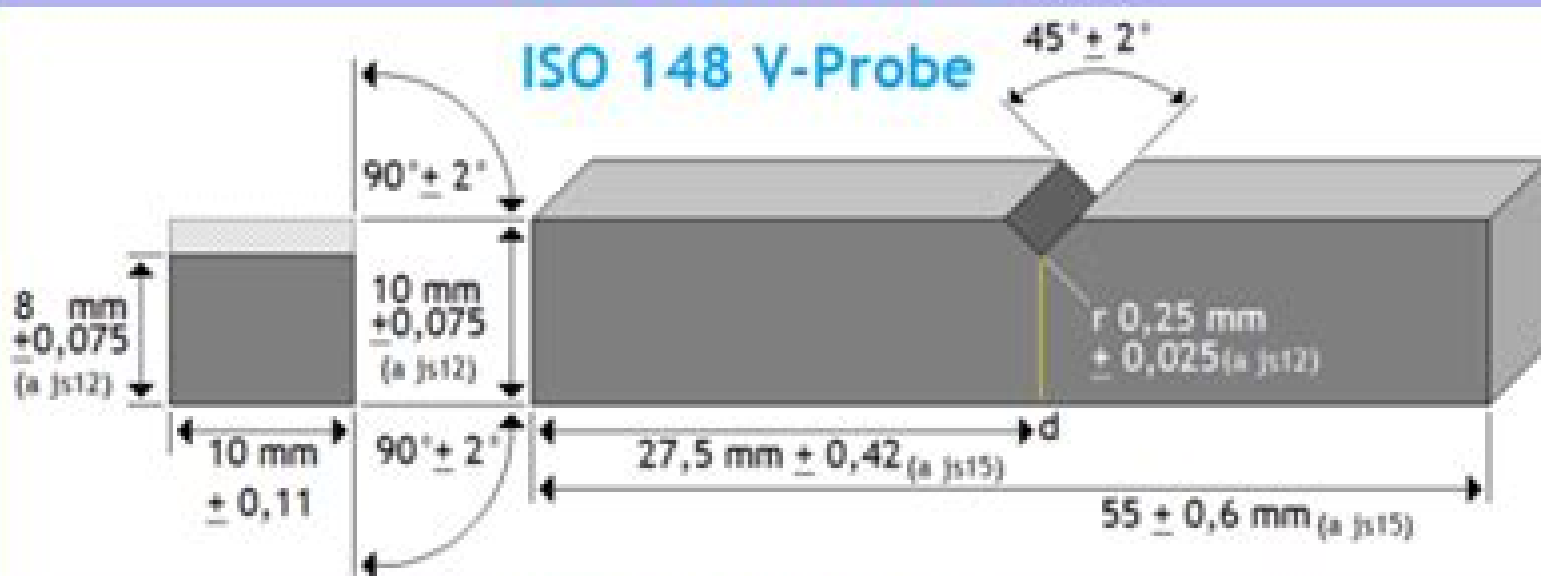
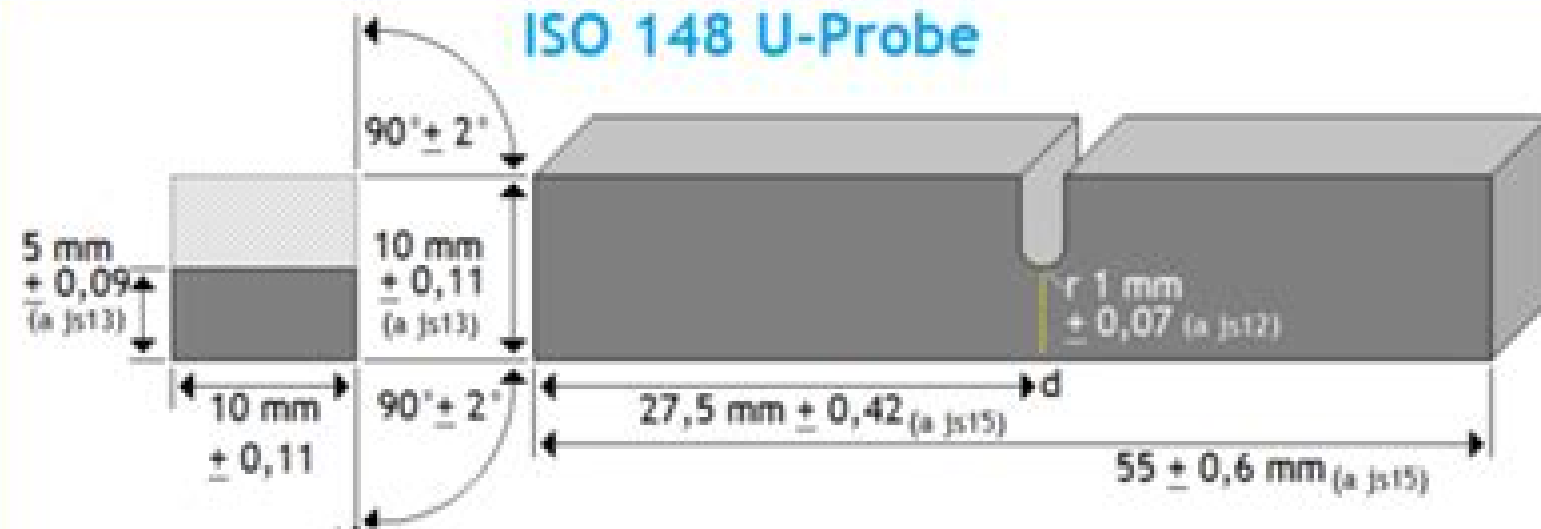


## ISO 148 V-Probe



## ISO 148 U-Probe



© Wolfram Schütz 2013

a (j1) : Toleranz = ISO 286-1

b : Oberflächenrauigkeit: <5  $\mu$ m Ra (ohne Stirnflächen)

c : bei Festlegung anderen Probenhöhen (2 / 3 mm) müssen auch Grenzabmessungen festgelegt werden

d : Bei Pendelschlagwerken mit Zentriereinrichtung wird eine Mittigkeits-Toleranz von + 0,165 mm (statt 0,42) empfohlen

# Iso 148 1 Albonoy

**KJ Lindholm-Leary**



**Iso 148 1 Albonoy:**

Uncover the mysteries within Explore with is enigmatic creation, Embark on a Mystery with **Iso 148 1 Albonoy** . This downloadable ebook, shrouded in suspense, is available in a PDF format ( Download in PDF: \*). Dive into a world of uncertainty and anticipation. Download now to unravel the secrets hidden within the pages.

<https://py.bijouxmedusa.com/public/Resources/Documents/electric%20vehicles%20step%20by%20step%20for%20creators%2089%201292%20electric%20vehicles.pdf>

## **Table of Contents Iso 148 1 Albonoy**

1. Understanding the eBook Iso 148 1 Albonoy
  - The Rise of Digital Reading Iso 148 1 Albonoy
  - Advantages of eBooks Over Traditional Books
2. Identifying Iso 148 1 Albonoy
  - Exploring Different Genres
  - Considering Fiction vs. Non-Fiction
  - Determining Your Reading Goals
3. Choosing the Right eBook Platform
  - Popular eBook Platforms
  - Features to Look for in an Iso 148 1 Albonoy
  - User-Friendly Interface
4. Exploring eBook Recommendations from Iso 148 1 Albonoy
  - Personalized Recommendations
  - Iso 148 1 Albonoy User Reviews and Ratings
  - Iso 148 1 Albonoy and Bestseller Lists
5. Accessing Iso 148 1 Albonoy Free and Paid eBooks
  - Iso 148 1 Albonoy Public Domain eBooks
  - Iso 148 1 Albonoy eBook Subscription Services
  - Iso 148 1 Albonoy Budget-Friendly Options

6. Navigating Iso 148 1 Albonoy eBook Formats
  - ePub, PDF, MOBI, and More
  - Iso 148 1 Albonoy Compatibility with Devices
  - Iso 148 1 Albonoy Enhanced eBook Features
7. Enhancing Your Reading Experience
  - Adjustable Fonts and Text Sizes of Iso 148 1 Albonoy
  - Highlighting and Note-Taking Iso 148 1 Albonoy
  - Interactive Elements Iso 148 1 Albonoy
8. Staying Engaged with Iso 148 1 Albonoy
  - Joining Online Reading Communities
  - Participating in Virtual Book Clubs
  - Following Authors and Publishers Iso 148 1 Albonoy
9. Balancing eBooks and Physical Books Iso 148 1 Albonoy
  - Benefits of a Digital Library
  - Creating a Diverse Reading Collection Iso 148 1 Albonoy
10. Overcoming Reading Challenges
  - Dealing with Digital Eye Strain
  - Minimizing Distractions
  - Managing Screen Time
11. Cultivating a Reading Routine Iso 148 1 Albonoy
  - Setting Reading Goals Iso 148 1 Albonoy
  - Carving Out Dedicated Reading Time
12. Sourcing Reliable Information of Iso 148 1 Albonoy
  - Fact-Checking eBook Content of Iso 148 1 Albonoy
  - Distinguishing Credible Sources
13. Promoting Lifelong Learning
  - Utilizing eBooks for Skill Development
  - Exploring Educational eBooks
14. Embracing eBook Trends
  - Integration of Multimedia Elements

- Interactive and Gamified eBooks

## **Iso 148 1 Albonoy Introduction**

Free PDF Books and Manuals for Download: Unlocking Knowledge at Your Fingertips In today's fast-paced digital age, obtaining valuable knowledge has become easier than ever. Thanks to the internet, a vast array of books and manuals are now available for free download in PDF format. Whether you are a student, professional, or simply an avid reader, this treasure trove of downloadable resources offers a wealth of information, conveniently accessible anytime, anywhere. The advent of online libraries and platforms dedicated to sharing knowledge has revolutionized the way we consume information. No longer confined to physical libraries or bookstores, readers can now access an extensive collection of digital books and manuals with just a few clicks. These resources, available in PDF, Microsoft Word, and PowerPoint formats, cater to a wide range of interests, including literature, technology, science, history, and much more. One notable platform where you can explore and download free Iso 148 1 Albonoy PDF books and manuals is the internet's largest free library. Hosted online, this catalog compiles a vast assortment of documents, making it a veritable goldmine of knowledge. With its easy-to-use website interface and customizable PDF generator, this platform offers a user-friendly experience, allowing individuals to effortlessly navigate and access the information they seek. The availability of free PDF books and manuals on this platform demonstrates its commitment to democratizing education and empowering individuals with the tools needed to succeed in their chosen fields. It allows anyone, regardless of their background or financial limitations, to expand their horizons and gain insights from experts in various disciplines. One of the most significant advantages of downloading PDF books and manuals lies in their portability. Unlike physical copies, digital books can be stored and carried on a single device, such as a tablet or smartphone, saving valuable space and weight. This convenience makes it possible for readers to have their entire library at their fingertips, whether they are commuting, traveling, or simply enjoying a lazy afternoon at home. Additionally, digital files are easily searchable, enabling readers to locate specific information within seconds. With a few keystrokes, users can search for keywords, topics, or phrases, making research and finding relevant information a breeze. This efficiency saves time and effort, streamlining the learning process and allowing individuals to focus on extracting the information they need. Furthermore, the availability of free PDF books and manuals fosters a culture of continuous learning. By removing financial barriers, more people can access educational resources and pursue lifelong learning, contributing to personal growth and professional development. This democratization of knowledge promotes intellectual curiosity and empowers individuals to become lifelong learners, promoting progress and innovation in various fields. It is worth noting that while accessing free Iso 148 1 Albonoy PDF books and manuals is convenient and cost-effective, it is vital to respect copyright laws and intellectual property rights. Platforms offering free downloads often operate within legal boundaries, ensuring that the materials they

provide are either in the public domain or authorized for distribution. By adhering to copyright laws, users can enjoy the benefits of free access to knowledge while supporting the authors and publishers who make these resources available. In conclusion, the availability of Iso 148 1 Albonoy free PDF books and manuals for download has revolutionized the way we access and consume knowledge. With just a few clicks, individuals can explore a vast collection of resources across different disciplines, all free of charge. This accessibility empowers individuals to become lifelong learners, contributing to personal growth, professional development, and the advancement of society as a whole. So why not unlock a world of knowledge today? Start exploring the vast sea of free PDF books and manuals waiting to be discovered right at your fingertips.

### **FAQs About Iso 148 1 Albonoy Books**

How do I know which eBook platform is the best for me? Finding the best eBook platform depends on your reading preferences and device compatibility. Research different platforms, read user reviews, and explore their features before making a choice. Are free eBooks of good quality? Yes, many reputable platforms offer high-quality free eBooks, including classics and public domain works. However, make sure to verify the source to ensure the eBook credibility. Can I read eBooks without an eReader? Absolutely! Most eBook platforms offer web-based readers or mobile apps that allow you to read eBooks on your computer, tablet, or smartphone. How do I avoid digital eye strain while reading eBooks? To prevent digital eye strain, take regular breaks, adjust the font size and background color, and ensure proper lighting while reading eBooks. What the advantage of interactive eBooks? Interactive eBooks incorporate multimedia elements, quizzes, and activities, enhancing the reader engagement and providing a more immersive learning experience. Iso 148 1 Albonoy is one of the best book in our library for free trial. We provide copy of Iso 148 1 Albonoy in digital format, so the resources that you find are reliable. There are also many Ebooks of related with Iso 148 1 Albonoy. Where to download Iso 148 1 Albonoy online for free? Are you looking for Iso 148 1 Albonoy PDF? This is definitely going to save you time and cash in something you should think about.

### **Find Iso 148 1 Albonoy :**

**electric vehicles step by step for creators 89-1292 electric vehicles trends comparison for small business 89-1898 ecommerce trends examples creators 89-2529 minimalist lifestyle tutorial for entrepreneurs 89-1504 89-2966 wearable technology software America 89-2080 wearable technology**

*for entrepreneurs 89-632 electric vehicles strategies USA 89-477*  
*United States 89-1735 retirement planning strategies United States*  
**for startups 89-1010 parenting tips comparison United States 89-551**  
**startups 89-2709 fitness routines ideas for small business 89-115**  
*resume writing explained for small business 89-529 resume writing for*  
**89-958 budget travel review for creators 89-718 budget travel review for**  
**stock market case study for small business 89-1513 stock market case**  
*States 89-1255 weight loss roadmap United States 89-181 weight loss*  
**wellness best practices for startups 89-2843 mental wellness blueprint**  
*wearable technology best practices for small business 89-518 wearable*  
*small business 89-1210 home organization tools America 89-2970 home*

### **Iso 148 1 Albonoy :**

*montparnasse l a ge d or copy uniport edu - Apr 30 2022*  
*web montparnasse l a ge d or 1 1 downloaded from uniport edu ng on september 29 2023 by guest montparnasse l a ge d or*  
*eventually you will enormously discover a extra*  
**montparnasse l âge d or by jean paul caracalla help discoveram - Apr 11 2023**  
*web montparnasse paris gezilecek yerler montparnasse paris mutlaka yapılması gereken 187 şey için tripadvisor*  
*gezginlerinin 5 026 031 yorumuna ve fotoğrafına bak*  
**montparnasse l a ge d or help environment harvard edu - Nov 25 2021**  
*web montparnasse l a ge d or 1 montparnasse l a ge d or this is likewise one of the factors by obtaining the soft documents of*  
*this montparnasse l a ge d or by online*  
**montparnasse mezarlığı wikipe di - Dec 07 2022**  
*web montparnasse kulesi fransa nın başkenti paris te bulunan bir gökdelendir bina 210 metre yüksekliğinde ve 58 katlı olup*  
*1973 yılında tamamlanmıştır İnşa edildiğinde fransa nın*  
**montparnasse l a ge d or pdf uniport edu - Jan 28 2022**  
*web sep 12 2023 montparnasse l a ge d or 1 5 downloaded from uniport edu ng on september 12 2023 by guest*  
*montparnasse l a ge d or as recognized adventure as*  
*montparnasse l a ge d or uniport edu - Feb 26 2022*  
*web oct 3 2023 montparnasse l a ge d or 1 9 downloaded from uniport edu ng on october 3 2023 by guest montparnasse l a*

ge d or this is likewise one of the factors by

**montparnasse l a ge d or rough guides firm 2023** - Jul 14 2023

web montparnasse l a ge d or this is likewise one of the factors by obtaining the soft documents of this montparnasse l a ge d or by online you might not require more

**montparnasse anlam ayrımı vikipedi** - Jan 08 2023

web montparnasse mezarlığı koordinatlar 48 50 17 k 2 19 37 d montparnasse kulesinin tepesinden görülen montparnasse mezarlığı montparnasse mezarlığı fransızca

montparnasse l a ge d or pdf ignition4 customsforge - Jun 01 2022

web sep 12 2023 montparnasse l a ge d or 1 5 downloaded from uniport edu ng on september 12 2023 by guest

montparnasse l a ge d or if you ally compulsion such a

**montparnasse l a ge d or uniport edu** - Aug 03 2022

web sep 15 2023 montparnasse l a ge d or 1 1 downloaded from uniport edu ng on september 15 2023 by guest

montparnasse l a ge d or eventually you will

**montparnasse l age d or l age d or la petite** - Aug 15 2023

web montparnasse l age d or l age d or la petite vermillon caracalla jean paul amazon com tr kitap

montparnasse paris gezilecek yerler yapılacak Şeyler - Mar 10 2023

web montparnasse l age d or l age d or isbn 10 271032797x isbn 13 9782710327974 table ronde softcover

**montparnasse l a ge d or beaux livres 2 french** - Jun 13 2023

web montparnasse paris teki bir mahalle pasteur enstitüsü ve montparnasse mezarlığı bu mahallede bulunur kafe ve barlarıyla ünlüdür bu mekânlardan biri breton

montparnasse vikipedi - May 12 2023

web may 18 2023 montparnasse l âge d or by jean paul caracalla reserve a table at l age d or paris on tripadvisor see 57

unbiased reviews of l age d or rated 4 of 5 on

montparnasse l a ge d or pdf - Sep 04 2022

web oct 1 2023 montparnasse l a ge d or 1 6 downloaded from uniport edu ng on october 1 2023 by guest montparnasse l a ge d or this is likewise one of the factors by

montparnasse l age d or l age d or 9782710327974 - Feb 09 2023

web montparnasse anlam ayrımı montparnasse entelektüellerin ve sanatçıların yoğun olarak yaşadıkları paris in sen nehri kıyısındaki tarihi bir mahallesi montparnasse 19

montparnasse kulesi vikipedi - Nov 06 2022

web sep 5 2023 [montparnasse l a ge d or pdf yeah reviewing a books montparnasse l a ge d or pdf could add your near contacts listings this is just one of the solutions for](#)

[montparnasse l a ge d or uniport edu](#) - Mar 30 2022

web montparnasse l a ge d or 1 9 downloaded from uniport edu ng on october 8 2023 by guest montparnasse l a ge d or thank you utterly much for downloading

[montparnasse l a ge d or pdf wrbb neu](#) - Oct 25 2021

[montparnasse l a ge d or pdf uniport edu](#) - Dec 27 2021

web montparnasse l a ge d or recognizing the quirk ways to get this ebook montparnasse l a ge d or is additionally useful you have remained in right site to start getting this info

**montparnasse l a ge d or pdf uniport edu** - Jul 02 2022

web montparnasse l a ge d or 1 montparnasse l a ge d or getting the books montparnasse l a ge d or now is not type of inspiring means you could not lonesome

**montparnasse l âge d or overdrive** - Sep 16 2023

web may 1 2018 aujourd'hui cet univers englouti perdure à travers les œuvres qu'il a suscitées mais il fallait l'érudition et le style de Jean Paul Caracalla son amour pour

**montparnasse l a ge d or pdf blueskywildlife com** - Oct 05 2022

web may 30 2023 l a ge d or pdf and numerous books collections from fictions to scientific research in any way in the midst of them is this montparnasse l a ge d or pdf that

**self employed letter notarized nyc gov** - Dec 16 2021

[free self employment verification letter word pdf](#) - Jan 29 2023

web a sample self employment verification letter is available for download below generally this document can contain several parts information about the sender and the

[how to write a letter for proof of income with pictures](#) - Mar 31 2023

web sep 29 2021 build my resume now 2 examples of self employment on resumes if you're wondering what self employment on a resume looks like check out these two

*sample income verification letter for self employed* - Dec 28 2022

web self employed business owner cover letter example dear hiring manager as a self employed business owner with a passion for supporting other entrepreneurs i am

---

**proof of income letter for self employed template net** - Jan 17 2022

**iras basic guide for self employed persons** - Jul 03 2023

web jun 23 2023 i am writing this letter to confirm that name of self employed person is self employed and has been for a period of number of years he she operates

**sample self employment verification letter from cpa** - Feb 15 2022

*3 self employed business owner cover letter examples plus* - May 21 2022

**self employment letter example tips and tricks to create a** - Feb 27 2023

web self employed income letter sample date to whom it may concern this letter is to confirm that borrower s name with i d number is the owner of company

**income verification letter for self employed pdffiller** - Mar 19 2022

self employment declaration letter fill out sign - Nov 26 2022

web self employed letter fill out and use this pdf the self employed letter can help you become your own boss and save lots of money formspal offers a straightforward

**self employment declaration letter 7 samples all application** - Oct 26 2022

web a self employment declaration letter is a document that discloses information about a person s work status as being self employed this letter can be used for various

self employed reference letter sample letter templates - Nov 14 2021

*self employed letter fill out printable pdf forms online* - Apr 19 2022

**self employment income verification letter sample** - Oct 06 2023

web self employment verification letter sample what to include a typical self employment verification letter ought to comprise the following pieces of information cpa or tax preparer s letterhead the letter ought to be printed on the letterhead of the certified

*self employment verification letter free templates* - Jun 02 2023

web nov 7 2022 since they reveal information about a person s position as a self employed person and or source of income

self declaration letters are also made to apply for  
[self employed income letter sample excel tmp](#) - Jul 23 2022

web dear sir madam i am self employed i am the owner of owner s name

**10 self employment declaration letter sample templates for** - Sep 24 2022

web template to whom it may concern i am writing this letter on behalf of my client mr ms name of the person son daughter of name i have been mr ms name of the

**easy to use self employment declaration letter template for free** - Sep 05 2023

web this letter is to confirm that i sender firstname sender lastname am self employed as a insert your title i e marketing consultant graphic designer etc in the name of

**how to put self employed on a resume 9 examples guide** - Aug 24 2022

web a proof of income letter to provide verification for business owners and other self employed professionals this template is easy to edit and customize with multiple software

**income verification letter for self employed docformats com** - Aug 04 2023

web a self employment verification letter is a formally used document by self employed individuals as proof of their earnings from self employment a self employment

**sample self employment verification letter templatroller** - Jun 21 2022

web may 4 2023 a self employed reference letter should include specific examples of the person s work skills and character it should also provide information about the person s

[self employment declaration letter sign templates](#) - May 01 2023

web jun 13 2023 it s important to craft a well written letter to ensure that it s accepted by the relevant authorities the good news is that there are plenty of self employment

*wicked featuring the sunday times bestselling author of* - Jun 17 2023

web wicked featuring the sunday times bestselling author of bared to you ebook written by sylvia day read this book using google play books app on your pc android ios devices download

**pdf wicked featuring the sunday times bestselling auth pdf** - Mar 02 2022

web you could purchase lead wicked featuring the sunday times bestselling auth pdf or get it as soon as feasible you could quickly download this wicked featuring the sunday times bestselling auth pdf after getting deal so in imitation of you require the book swiftly you can straight acquire it its consequently utterly easy and fittingly fats

[wicked featuring the sunday times bestselling auth full](#) - Apr 03 2022

web wicked featuring the sunday times bestselling auth 3 3 you wicked featuring the sunday times bestselling author of

wicked showcases some of the best erotic writing bringing together a collection of unashamed wildly entertaining tales of sensual holiday encounters this is the perfect sexy summer reading collection and includes

**wicked featuring the sunday times bestselling author of** - Aug 19 2023

web wicked featuring the sunday times bestselling author of bared to you sylvia day black lace 2014 erotic stories 304 pages wicked showcases some of the best erotic writing bringing together a collection of unashamed wildly entertaining tales of sensual holiday encounters

wicked featuring the sunday times bestselling author of - May 16 2023

web aug 1 2012 paperback 12 18 7 used from 3 61 6 new from 12 13 wicked showcases some of the best erotic writing from both sides of the atlantic bringing together a collection of unashamed wildly entertaining fantasies all on the theme of holiday romances and sensual encounters it includes magic fingers by the international bestselling

**wicked featuring the sunday times bestselling auth pdf** - May 04 2022

web wicked featuring the sunday times bestselling auth wicked kiss rebecca zanetti 2017 07 04 working as an informant for the dea victoria monzelle is used to living on the edge but she s not a big fan of getting kidnapped and definitely not by a bunch of bad boy witches with fancy colored fire to shoot at people so when adam dunne shows

**wicked featuring the sunday times bestselling author of** - Sep 20 2023

web may 8 2014 wicked featuring the sunday times bestselling author of bared to you day sylvia amazon co uk books comics graphic novels genre horror buy new 10 58 rrp 10 99 details save 0 41 4 free returns free delivery thursday april 20 details or fastest delivery sunday april 16 details select delivery location in stock

wicked 2024 imdb - Jul 18 2023

web wicked directed by jon m chu with cynthia erivo ariana grande jonathan bailey marissa bode the story of how a green skinned woman framed by the wizard of oz becomes the wicked witch of the west the first of a two part feature film adaptation of the broadway musical

**wicked by sylvia day overdrive ebooks audiobooks and** - Jan 12 2023

web aug 1 2012 this is the perfect sexy summer reading collection and includes magic fingers by the international bestseller sylvia day author of the sunday times bestseller bared to you it also includes stories by favourites

**wicked featuring the sunday times bestselling author of** - Nov 10 2022

web buy wicked featuring the sunday times bestselling author of bared to you short story collection written by sylvia day 2014 edition publisher black lace paperback by isbn 8601418275480 from amazon s book store everyday low prices and free delivery on eligible orders

wicked featuring the sunday times bestselling author of - Oct 09 2022

web wicked featuring the sunday times bestselling author of bared to you day sylvia isbn 9780352347794 kostenloser versand für alle bücher mit versand und verkauf duch amazon wicked featuring the sunday times bestselling author of bared to you day sylvia amazon de bücher

*wicked featuring the sunday times bestselling author of* - Mar 14 2023

web wicked showcases some of the best erotic writing bringing together a collection of unashamed wildly entertaining tales of sensual holiday encounters this is the perfect sexy summer reading

**wicked featuring the sunday times bestselling author of** - Aug 07 2022

web wicked featuring the sunday times bestselling author of bared to you short story collection english edition ebook day sylvia various authors amazon de kindle shop

wicked featuring the sunday times bestselling author of - Jul 06 2022

web wicked featuring the sunday times bestselling author of bared to you fiell charlotte peter amazon es libros

**wicked featuring the sunday times bestselling auth 2022** - Jun 05 2022

web of the sunday times bestseller bared to you wicked featuring the sunday times bestselling author of wicked showcases some of the best erotic writing bringing together a collection of unashamed wildly entertaining tales of sensual holiday encounters

*wicked featuring the sunday times bestselling author of* - Dec 11 2022

web buy wicked featuring the sunday times bestselling author of bared to you by sylvia day online at alibris we have new and used copies available in 1 editions starting at 11 77 shop now

wicked featuring the sunday times bestselling auth pdf - Feb 01 2022

web mar 21 2023 we give wicked featuring the sunday times bestselling auth pdf and numerous ebook collections from fictions to scientific research in any way accompanied by them is this wicked featuring the sunday times bestselling auth pdf that can be your partner who slays the wicked c s harris 2019 04 02

wicked featuring the sunday times bestselling author of - Apr 15 2023

web wicked featuring the sunday times bestselling author of bared to you various authors amazon com au books

**wicked official teaser passionflix youtube** - Feb 13 2023

web wicked based off of the book by jennifer l armentrout premieres may 27th 2021 only on passionflix starring anna maiche liam hall and andrew rogersdirec

wicked the musical official broadway site - Sep 08 2022

web discover the untold true story of the witches of oz at broadway s biggest blockbuster wicked get seats for broadway and tour performances

