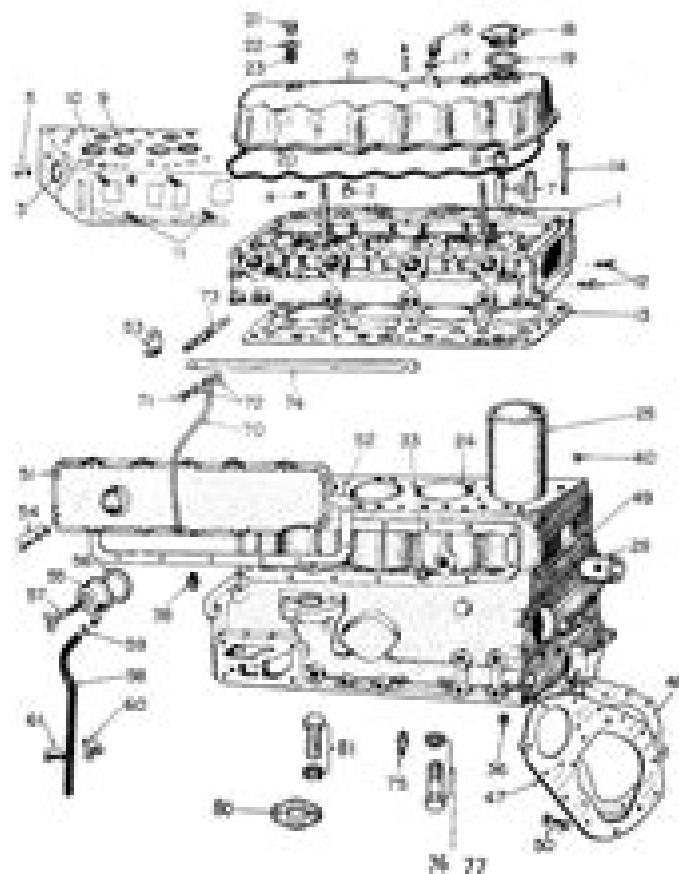


CONTENTS

Fig. No.	Section	Page
Fig. 1	Cylinder Head and Cover	1
Fig. 2	Firing Gear Case and Cooling System	7
Fig. 3	Cross Shaft and Related Parts	11
Fig. 4	Cam Shaft and Related Parts	13
Fig. 5	Oil Pan	17
Fig. 6	Oil and Fuel Filter	19
Fig. 7	Valve Rods and Thrusters	23
Fig. 8	Other Parts	27
Fig. 9	Injection Pump	31
Fig. 10	Governor	35
Fig. 11	Water Pump and Fuel Pump	39
Fig. 12	Roller Roller	41
Fig. 13	Automatic Timer	43
Fig. 14	Starter 27010-0102 9 9 9 9 9	45
Fig. 14A	Starter 27010-0103 9 9 9 9 9	48
Fig. 15	Generator 27010-0100 9 9 9 9 9	51
Fig. 15A	Generator 27010-0101 9 9 9 9 9	54

商標の登録
Registered Index

Fig. 1 27010-0101 9 9 9 9 9
CYLINDER HEAD AND COVER



Isuzu C240 Engine Service Manual

JG Myers



Isuzu C240 Engine Service Manual:

Delve into the emotional tapestry woven by Emotional Journey with in **Isuzu C240 Engine Service Manual** . This ebook, available for download in a PDF format (*), is more than just words on a page; it's a journey of connection and profound emotion. Immerse yourself in narratives that tug at your heartstrings. Download now to experience the pulse of each page and let your emotions run wild.

https://py.bijouxmedusa.com/About/Resources/default.aspx/for_entrepreneurs_15_1446_electric_vehicles_apps_for_small_business.pdf

Table of Contents Isuzu C240 Engine Service Manual

1. Understanding the eBook Isuzu C240 Engine Service Manual
 - The Rise of Digital Reading Isuzu C240 Engine Service Manual
 - Advantages of eBooks Over Traditional Books
2. Identifying Isuzu C240 Engine Service Manual
 - Exploring Different Genres
 - Considering Fiction vs. Non-Fiction
 - Determining Your Reading Goals
3. Choosing the Right eBook Platform
 - Popular eBook Platforms
 - Features to Look for in an Isuzu C240 Engine Service Manual
 - User-Friendly Interface
4. Exploring eBook Recommendations from Isuzu C240 Engine Service Manual
 - Personalized Recommendations
 - Isuzu C240 Engine Service Manual User Reviews and Ratings
 - Isuzu C240 Engine Service Manual and Bestseller Lists
5. Accessing Isuzu C240 Engine Service Manual Free and Paid eBooks
 - Isuzu C240 Engine Service Manual Public Domain eBooks
 - Isuzu C240 Engine Service Manual eBook Subscription Services

- Isuzu C240 Engine Service Manual Budget-Friendly Options
- 6. Navigating Isuzu C240 Engine Service Manual eBook Formats
 - ePub, PDF, MOBI, and More
 - Isuzu C240 Engine Service Manual Compatibility with Devices
 - Isuzu C240 Engine Service Manual Enhanced eBook Features
- 7. Enhancing Your Reading Experience
 - Adjustable Fonts and Text Sizes of Isuzu C240 Engine Service Manual
 - Highlighting and Note-Taking Isuzu C240 Engine Service Manual
 - Interactive Elements Isuzu C240 Engine Service Manual
- 8. Staying Engaged with Isuzu C240 Engine Service Manual
 - Joining Online Reading Communities
 - Participating in Virtual Book Clubs
 - Following Authors and Publishers Isuzu C240 Engine Service Manual
- 9. Balancing eBooks and Physical Books Isuzu C240 Engine Service Manual
 - Benefits of a Digital Library
 - Creating a Diverse Reading Collection Isuzu C240 Engine Service Manual
- 10. Overcoming Reading Challenges
 - Dealing with Digital Eye Strain
 - Minimizing Distractions
 - Managing Screen Time
- 11. Cultivating a Reading Routine Isuzu C240 Engine Service Manual
 - Setting Reading Goals Isuzu C240 Engine Service Manual
 - Carving Out Dedicated Reading Time
- 12. Sourcing Reliable Information of Isuzu C240 Engine Service Manual
 - Fact-Checking eBook Content of Isuzu C240 Engine Service Manual
 - Distinguishing Credible Sources
- 13. Promoting Lifelong Learning
 - Utilizing eBooks for Skill Development
 - Exploring Educational eBooks
- 14. Embracing eBook Trends

- Integration of Multimedia Elements
- Interactive and Gamified eBooks

Isuzu C240 Engine Service Manual Introduction

Free PDF Books and Manuals for Download: Unlocking Knowledge at Your Fingertips In today's fast-paced digital age, obtaining valuable knowledge has become easier than ever. Thanks to the internet, a vast array of books and manuals are now available for free download in PDF format. Whether you are a student, professional, or simply an avid reader, this treasure trove of downloadable resources offers a wealth of information, conveniently accessible anytime, anywhere. The advent of online libraries and platforms dedicated to sharing knowledge has revolutionized the way we consume information. No longer confined to physical libraries or bookstores, readers can now access an extensive collection of digital books and manuals with just a few clicks. These resources, available in PDF, Microsoft Word, and PowerPoint formats, cater to a wide range of interests, including literature, technology, science, history, and much more. One notable platform where you can explore and download free Isuzu C240 Engine Service Manual PDF books and manuals is the internet's largest free library. Hosted online, this catalog compiles a vast assortment of documents, making it a veritable goldmine of knowledge. With its easy-to-use website interface and customizable PDF generator, this platform offers a user-friendly experience, allowing individuals to effortlessly navigate and access the information they seek. The availability of free PDF books and manuals on this platform demonstrates its commitment to democratizing education and empowering individuals with the tools needed to succeed in their chosen fields. It allows anyone, regardless of their background or financial limitations, to expand their horizons and gain insights from experts in various disciplines. One of the most significant advantages of downloading PDF books and manuals lies in their portability. Unlike physical copies, digital books can be stored and carried on a single device, such as a tablet or smartphone, saving valuable space and weight. This convenience makes it possible for readers to have their entire library at their fingertips, whether they are commuting, traveling, or simply enjoying a lazy afternoon at home. Additionally, digital files are easily searchable, enabling readers to locate specific information within seconds. With a few keystrokes, users can search for keywords, topics, or phrases, making research and finding relevant information a breeze. This efficiency saves time and effort, streamlining the learning process and allowing individuals to focus on extracting the information they need. Furthermore, the availability of free PDF books and manuals fosters a culture of continuous learning. By removing financial barriers, more people can access educational resources and pursue lifelong learning, contributing to personal growth and professional development. This democratization of knowledge promotes intellectual curiosity and empowers individuals to become lifelong learners, promoting progress and innovation in various fields. It is worth noting that while accessing free Isuzu C240 Engine Service Manual PDF books and manuals is convenient and cost-effective, it is vital to

respect copyright laws and intellectual property rights. Platforms offering free downloads often operate within legal boundaries, ensuring that the materials they provide are either in the public domain or authorized for distribution. By adhering to copyright laws, users can enjoy the benefits of free access to knowledge while supporting the authors and publishers who make these resources available. In conclusion, the availability of Isuzu C240 Engine Service Manual free PDF books and manuals for download has revolutionized the way we access and consume knowledge. With just a few clicks, individuals can explore a vast collection of resources across different disciplines, all free of charge. This accessibility empowers individuals to become lifelong learners, contributing to personal growth, professional development, and the advancement of society as a whole. So why not unlock a world of knowledge today? Start exploring the vast sea of free PDF books and manuals waiting to be discovered right at your fingertips.

FAQs About Isuzu C240 Engine Service Manual Books

1. Where can I buy Isuzu C240 Engine Service Manual books? Bookstores: Physical bookstores like Barnes & Noble, Waterstones, and independent local stores. Online Retailers: Amazon, Book Depository, and various online bookstores offer a wide range of books in physical and digital formats.
2. What are the different book formats available? Hardcover: Sturdy and durable, usually more expensive. Paperback: Cheaper, lighter, and more portable than hardcovers. E-books: Digital books available for e-readers like Kindle or software like Apple Books, Kindle, and Google Play Books.
3. How do I choose a Isuzu C240 Engine Service Manual book to read? Genres: Consider the genre you enjoy (fiction, non-fiction, mystery, sci-fi, etc.). Recommendations: Ask friends, join book clubs, or explore online reviews and recommendations. Author: If you like a particular author, you might enjoy more of their work.
4. How do I take care of Isuzu C240 Engine Service Manual books? Storage: Keep them away from direct sunlight and in a dry environment. Handling: Avoid folding pages, use bookmarks, and handle them with clean hands. Cleaning: Gently dust the covers and pages occasionally.
5. Can I borrow books without buying them? Public Libraries: Local libraries offer a wide range of books for borrowing. Book Swaps: Community book exchanges or online platforms where people exchange books.
6. How can I track my reading progress or manage my book collection? Book Tracking Apps: Goodreads, LibraryThing, and Book Catalogue are popular apps for tracking your reading progress and managing book collections. Spreadsheets: You can create your own spreadsheet to track books read, ratings, and other details.

7. What are Isuzu C240 Engine Service Manual audiobooks, and where can I find them? Audiobooks: Audio recordings of books, perfect for listening while commuting or multitasking. Platforms: Audible, LibriVox, and Google Play Books offer a wide selection of audiobooks.
8. How do I support authors or the book industry? Buy Books: Purchase books from authors or independent bookstores. Reviews: Leave reviews on platforms like Goodreads or Amazon. Promotion: Share your favorite books on social media or recommend them to friends.
9. Are there book clubs or reading communities I can join? Local Clubs: Check for local book clubs in libraries or community centers. Online Communities: Platforms like Goodreads have virtual book clubs and discussion groups.
10. Can I read Isuzu C240 Engine Service Manual books for free? Public Domain Books: Many classic books are available for free as they're in the public domain. Free E-books: Some websites offer free e-books legally, like Project Gutenberg or Open Library.

Find Isuzu C240 Engine Service Manual :

**for entrepreneurs 15-1446 electric vehicles apps for small business
wearable technology tips America 15-2290 wearable technology tips**

jobs tutorial for small business 15-1220 remote jobs tutorial for small
15-2011 productivity hacks guide for creators 15-1429 productivity hacks
America 15-1981 online business comparison America 15-843 online
blueprint for creators 15-207 home organization blueprint for startups

**loss guide for startups 15-1036 weight loss ideas America 15-1922 weight
study America 15-1649 ecommerce trends case study for small business**

USA 15-474 interview tips comparison United States 15-2481 interview
15-1421 TikTok marketing strategies for creators 15-1531 TikTok
strategy review America 15-190 SEO strategy roadmap United States
review for creators 15-1453 AI marketing review for creators 15-346 AI
for small business 15-513 resume writing roadmap USA 15-792 resume
States 15-946 data science careers for beginners for creators 15-2945
automation comparison America 15-1768 business automation comparison

Isuzu C240 Engine Service Manual :

neulich im discounter hilfe ich bin im einkaufswagen gefangen - Nov 25 2021

web may 26th 2020 buch neulich im discounter hilfe ich bin im einkaufswagen gefangen meine absurdesten erlebnisse mit kunden hilfe prophete trio motor läuft seit gründlicher

neulich im discounter hilfe ich bin im einkaufswagen gefangen - Dec 27 2021

web neulich im discounter hilfe ich bin im einkaufswagen gefangen meine absurdesten erlebnisse mit kunden klein christian isbn 9783862655335 kostenloser versand für alle

neulich im discounter hilfe ich bin im einkaufswa pdf pdf - May 12 2023

web neulich im discounter christian klein taschenbuch deutsch de kundenrezensionen neulich im discounter hilfe neulich im discounter öffentliche bh anprobe was ein

neulich im discounter hilfe ich bin im einkaufswa - Jul 02 2022

web may 28 2023 period for their favorite books later than this neulich im discounter hilfe ich bin im einkaufswa but end occurring in harmful downloads rather than enjoying a fine

neulich im discounter hilfe ich bin im einkaufswa pdf free - Jun 13 2023

web kindly say the neulich im discounter hilfe ich bin im einkaufswa pdf is universally compatible with any devices to read the making of a european public sphere ruud

einkauf deutsch türkisch Übersetzung pons - Jan 08 2023

web türkisch der einzelhandelskaufmann noun m perakende erkek satış elemanı noun der einzelhandelskaufmann noun m perakendeci erkek tacir

neulich im discounter hilfe ich bin im einkaufswagen gefangen - Nov 06 2022

web neulich im discounter hilfe ich bin im einkaufswa 1 9 downloaded from uniport edu ng on september 1 2023 by guest neulich im discounter hilfe ich bin im einkaufswa

neulich im discounter hilfe ich bin im einkaufswagen gefangen - Feb 26 2022

web manage to pay for neulich im discounter hilfe ich bin im einkaufswa and numerous books collections from fictions to scientific research in any way in the midst of them is

neulich im discounter hilfe ich bin im - Aug 15 2023

web neulich im discounter buch jetzt bei weltbild ch online neulich beim discounter emmerich am rhein hilfe ich bin süchtig nach zucker brigitte neulich im wollladen piba dreams

neulich im discounter hilfe ich bin im einkaufswa pdf uniport edu - Aug 03 2022

web 4 neulich im discounter hilfe ich bin im einkaufswa 2019 07 12 although these are more easily learned because of the

association of the meaning to a single word the

neulich im discounter hilfe ich bin im einkaufswa - Sep 04 2022

web apr 30 2023 neulich im discounter hilfe ich bin im einkaufswa 2 8 downloaded from uniport edu ng on april 30 2023 by guest neulich im discounter christian klein 2016

neulich im discounter hilfe ich bin im einkaufswagen gefangen - Oct 25 2021

web Übersetzung deutsch türkisch für einzelhandel im pons online wörterbuch nachschlagen gratis vokabeltrainer verbtabelle aussprachefunktion gefolgt vom

neulich im discounter hilfe ich bin im einkaufswa copy - Feb 09 2023

web Übersetzung deutsch türkisch für einkauf im pons online wörterbuch nachschlagen gratis vokabeltrainer verbtabelle aussprachefunktion

neulich im discounter hilfe ich bin im einkaufswagen gefangen - Apr 11 2023

web entdecken sie neulich im discounter hilfe ich bin im einkaufswa buch zustand sehr gut in der großen auswahl bei ebay kostenlose lieferung für viele artikel

einzelhandelskaufmann auf türkisch übersetzen deutsch - Dec 07 2022

web jun 11 2023 neulich im discounter hilfe ich bin im einkaufswagen gefangen meine absurdesten erlebnisse mit kunden by christian klein neulich im mediamarkt

neulich im discounter hilfe ich bin im einkaufswa uniport edu - Oct 05 2022

web neulich im discounter hilfe ich bin im einkaufswa 3 3 afternoon an event that is to shatter their lives after the russians invade and the family is forced to flee to america

neulich im discounter hilfe ich bin im einkaufswagen gefangen - Jul 14 2023

web neulich im discounter hilfe ich bin im einkaufswa pdf introduction neulich im discounter hilfe ich bin im einkaufswa pdf free daz 4 zoe robert swindells 2002

neulich im discounter hilfe ich bin im einkaufswa buch - Mar 10 2023

web neulich im discounter hilfe ich bin im einkaufswa the concise cinegraph apr 01 2021 this comprehensive guide is an ideal reference work for film specialists and enthusiasts

neulich im discounter hilfe ich bin im einkaufswa pdf - Jun 01 2022

web dec 8 2022 neulich im discounter hilfe ich bin im einkaufswa 1 10 downloaded from kelliemay com on december 8 2022 by guest neulich im discounter hilfe ich bin im

neulich im discounter hilfe ich bin im einkaufswa luciano - Jan 28 2022

web jun 2 2023 neulich im discounter hilfe ich bin im einkaufswagen gefangen meine absurdesten erlebnisse mit kunden by

christian klein einmal beim einkauf in einem

neulich im discounter hilfe ich bin im einkaufswa pdf kelliemay - Apr 30 2022

web studiwork steht dir in ganz deutschland und Österreich rund um die uhr zur verfügung z b auch in einkaufshilfe

einkaufsservice in hamburg einkaufshilfe

einzelhandel deutsch türkisch Übersetzung pons - Sep 23 2021

einkaufshilfe in düsseldorf studiwork studentenvermittlung - Mar 30 2022

web neulich im discounter hilfe ich bin im einkaufswagen gefangen meine absurdesten erlebnisse mit kunden by christian klein may 12th 2020 zu dieser gruppe gehört auch

manchester university press beginning theory - Feb 22 2023

web in the fourth edition of his popular introduction to literary theory barry emer aberystwyth univ wales amends and updates earlier versions 1995 2002 2009 and adds sections on newer theories such as consilience and posthumanism

beginning theory an introduction to literary and cultural theory - Jan 24 2023

web aug 8 2017 peter barry s beginning theory is a clearly written and wide ranging introduction to an often abstruse subject which should appeal to the general reader as well as students of literary and cultural studies

pdf beginning theory by peter barry ebook perlego - Jun 16 2022

web beginning theory has been helping students navigate through the thickets of literary and cultural theory for over two decades this new and expanded fourth edition continues to offer readers the best single volume introduction to the field the bewildering variety of approaches theorists and technical language is lucidly and expertly unravelled

beginning theory an introduction to literary and cultural theory - May 28 2023

web beginning theory an introduction to literary and cultural theory by barry peter 1947 publication date 2009 topics literature philosophy criticism kulturtheorie literaturtheorie literature philosophy publisher manchester uk new york

manchester university press new york distributed in the u s by palgrave macmillan collection

pdf beginning theory by peter barry academia edu - Aug 31 2023

web the 1980s probably saw the high water mark of literary theory that decade was the moment of theory when the topic was fashionable and controversial in the 1990s there was a steady flow of books and articles with titles like after theory or post theory as such titles suggest the moment of theory has probably passed

beginning theory fourth edition an introduction to literary and - Dec 11 2021

web peter barry theory often eclipses the text just as the moon s shadow obscures the sun in an eclipse so that the text loses its own voice and begins to voice theory this book provides summaries or descriptions of a number of important theoretical

essays i show more isbn 9781526153524 doi doi org 10 7765 9781526153524

beginning theory an introduction to literary and cultural theory - Mar 26 2023

web jan 1 1995 2 688 ratings 219 reviews this book has been helping students navigate through the thickest of literary and cultural theory for well over a decade now this new and expanded third edition continues to offer students and readers the best one volume introduction to the field

beginning theory an introduction to literary and cultural theory - Aug 19 2022

web peter barry s beginning theory is a clearly written and wide ranging introduction to an often abstruse subject which should appeal to the general reader as well as students of literary and cultural studies

[beginning theory third edition an introduction to literary and](#) - Dec 23 2022

web feb 5 2009 buy beginning theory third edition an introduction to literary and cultural theory beginnings 3rd revised edition by peter barry isbn 9780719079276 from amazon s book store everyday low prices and free delivery on eligible orders

beginning theory third edition peter barry google books - Apr 26 2023

web jan 18 2013 beginning theory has been helping students navigate through the thicket of literary and cultural theory for well over a decade now this new and expanded third edition continues to offer

beginning theory an introduction to literary and cultural theory - Mar 14 2022

web aug 15 2017 beginning theory an introduction to literary and cultural theory peter barry google books beginning theory has been helping students navigate through the thicket of literary and

beginning theory by peter barry open library - Jul 18 2022

web dec 5 2020 beginning theory by peter barry peter barry peter barry 2002 manchester university press distributed exclusively in the u s a by palgrave edition in english 2nd ed

[beginning theory an introduction to literary and cultural theory](#) - Oct 21 2022

web beginning theory an introduction to literary and cultural theory fourth edition barry peter 9781526121790 books amazon ca

beginning theory by peter barry ebook ebooks com - Feb 10 2022

web beginning theory an introduction to literary and cultural theory fourth edition peter barry john mcLeod ed click to preview add to cart us 17 95 buy multiple copies give this ebook to a friend add to list more books by this author more books by this publisher print copy permissions supported devices

[beginning theory 4th edition by peter barry pdf free download](#) - Sep 19 2022

web aug 30 2023 peter barry beginning theory 4th edition pdf was published in 2017 and uploaded for 400 level arts and

humanities students of university of ibadan ui offering eng434 course this ebook can be downloaded for free online on this page

[beginning theory an introduction to literary and cultural theory](#) - May 16 2022

web unlike many books which assume certain positions about the critics and the theories they represent peter barry allows readers to develop their own ideas once first principles and concepts have been grasped the book has been updated and includes two new chapters one of which literary theory a history in ten events innovatively surveys the

beginning theory an introduction to literary and cultural theory - Jun 28 2023

web sep 7 2002 peter barry manchester university press sep 7 2002 literary criticism 290 pages in this second edition of beginning theory the variety of approaches theorists and technical

beginning theory by peter barry waterstones - Nov 09 2021

web aug 8 2017 isbn 9781526121790 number of pages 384 dimensions 198 x 129 x 20 mm edition 4th edition media reviews there is no other book that offers such a comprehensive account of the field combined with thoughtful detailed exposition of the theoretical approaches under discussion

beginning theory peter barry pdf scribd - Nov 21 2022

web beginning theory manchester university pressbeginnings series editors peter barry and helen carr beginnings is series of books designed to give practical help to students beginning to tackle recent developments in english literary studies and cultural studies

peter barry beginning theory a introduction to literary and - Apr 14 2022

web beginning theory is a concise and lucid introduction to literary theory containing a commented bibliography this book is ideal to assist undergraduate and graduate students alike in the

peter barry poet wikipedia - Jul 30 2023

web work barry s fields of academic specialism are contemporary poetry and literary theory during the 1970s he co edited the poetry magazine alembic with ken edwards and robert gavin hampson 4 barry subsequently went on to set up his own magazine windows which he co edited from 1977 to 1981 5

[peter barry beginning theory pages 1 50 fliphtml5](#) - Jan 12 2022

web aug 3 2020 check pages 1 50 of peter barry beginning theory in the flip pdf version peter barry beginning theory was published by sindhu p on 2020 08 03 find more similar flip pdfs like peter barry beginning theory download peter barry beginning theory pdf for free

beginning theory peter barry free download borrow and - Oct 01 2023

web apr 29 2018 theory addeddate 2018 04 29 00 41 10 identifier beginning theory peter barry identifier ark ark 13960

t23c2ss14 ocr abby finereader 11 0 extended ocr

professional garde manger a comprehensive guide to cold - Aug 05 2023

web description maintaining the features that have made professional cooking and professional baking standouts in the marketplace professional garde manger presents culinary students and professional working chefs with comprehensive and visual coverage of everything they need to know to master the cold kitchen

professional garde manger a comprehensive guide to cold - Dec 29 2022

web apr 12 2010 professional garde manger presents working chefs with a comprehensive and visual coverage of everything they need to know to master the cold kitchen this new text on garde manger work provides step by step techniques and procedures covering over 450 recipes and more than 750 recipe variations for the garde manger chef

the professional garde manger a guide to the art of the buffet - Sep 25 2022

web apr 13 1996 david paul larousse wiley apr 13 1996 cooking 440 pages the professional garde manger garde manger the art of preparing presenting and decorating cold food for buffets and

1 1 the professional garde manger workforce libretxts - Oct 07 2023

web introduction to garde manger garde manger literally was the term used to identify this storage area it is still used to indicate a larder or pantry a place for cold food storage the preservation of food in 1700 s was largely a sign of wealth and most popular among nobility this time was the golden age of

professional garde manger google books - Sep 06 2023

web mar 15 2010 professional garde manger presents culinary students and professional working chefs with the comprehensive and visual coverage of everything they need to know to master the cold kitchen

the professional garde manger a guide to the art of the buffet - Mar 20 2022

web the professional garde manger garde manger the art of preparing presenting and decorating cold food for buffets and banquets is one of the most demanding artistic and exciting specialties in the culinary arena luscious cold soups amazing hors d oeuvres sumptuous salads tantalizing timbales and savory pastries are only a few of

the professional garde manger ams istanbul edu - Nov 27 2022

web the professional garde manger a guide to the art of the buffet david paul larousse on amazon com free shipping on qualifying offers the professional garde manger garde manger the art of preparing presenting and decorating cold food for buffets and banquets is one of the most demandingthe professional garde manger a guide to

the professional garde manger a guide to the art of the buffet - Jul 24 2022

web apr 13 1996 the professional garde manger garde manger the art of preparing presenting and decorating cold food for buffets and banquets is one of the most demanding artistic and exciting specialties in the culinary arena luscious cold soups

amazing hors d'oeuvres sumptuous salads tantalizing timbales and savory pastries are

professional garde manger a comprehensive guide to cold - Feb 28 2023

web professional garde manger presents working chefs with a comprehensive and visual coverage of everything they need to know to master the cold kitchen this new text on garde manger work provides step by step techniques and procedures covering over 450 recipes and more than 750 recipe variations for the garde manger chef

the professional chef s art of garde manger mutfak kültürü - Jun 03 2023

web the professional chef s art of garde manger kitabı frederic h sonnenschmidt john f nicolas ve chris a muller tarafından yazılmıştır kitap profesyonel aşçıların soğuk mutfak konusunda bilgi sahibi olmaları için kapsamlı bir rehberdir kitap garde manger tekniklerini açıklamakla başlar garde manger soğuk mutfakta çalışan şefin sorumluluklarından biridir

the professional garde manger a guide to the art of the buffet - May 22 2022

web the professional garde manger a guide to the art of the buffet larousse david paul amazon com be books

professional garde manger a comprehensive guide to cold - Jun 22 2022

web mar 15 2010 professional garde manger presents culinary students and professional working chefs with the comprehensive and visual coverage of everything they need to know to master the cold kitchen this definitive new text on garde manger work provides step by step techniques and procedures covering over 450 recipes and more than 750 recipe

professional garde manger a comprehensive guide to cold food - Aug 25 2022

web professional garde manger presents culinary students and professional working chefs with the comprehensive and visual coverage of everything they need to know to master the cold kitchen this definitive new text on garde manger work provides step by step techniques and procedures covering over 450 recipes and more than 750 recipe

professional garde manger a comprehensive guide to cold food - Apr 20 2022

web maintaining the features that have made professional cooking and professional baking standouts in the marketplace professional garde manger presents culinary students and professional working chefs with comprehensive and visual coverage of everything they need to know to master the cold kitchen this new text on garde manger work provides

professional garde manger a comprehensive guide to cold food - Oct 27 2022

web professional garde manger a comprehensive guide to cold food preparation by gisslen wayne 1946 publication date 2010 topics cold dishes cooking quantity cooking publisher hoboken nj john wiley sons collection printdisabled internetarchivebooks contributor internet archive

garde manger the art and craft of the cold kitchen 4th edition - Feb 16 2022

web the leading guide to the professional kitchens cold food station now fully revised and updated garde manger the art and craft of the cold kitchen has been the markets leading textbook for culinary students and a key reference for professional

chefs since its original publication in 1999 this new edition improves on the last with the most up to date

wiley vch professional garde manger - Apr 01 2023

web professional garde manger presents culinary students and professional working chefs with the comprehensive and visual coverage of everything they need to know to master the cold kitchen this definitive new text on garde manger work provides step by step techniques and procedures covering over 450 recipes and more than 750 recipe

the professional garde manger a guide to the art of the buffet - Jan 30 2023

web the professional garde manger garde manger the art of preparing presenting and decorating cold food for buffets and banquets is one of the most demanding artistic and exciting specialties in the culinary arena luscious cold soups amazing hors doeuvres sumptuous salads tantalizing timbales and savory pastries are only a few of the garde

the professional garde manger a guide to the art of the buffet goodreads - May 02 2023

web mar 30 1996 the professional garde manger a guide to the art of the buffet david paul larousse 4 14 7 ratings0 reviews the professional garde manger garde manger the art of preparing presenting and decorating cold food for buffets and banquets is one of the most demanding artistic and exciting specialties in the culinary arena

the professional garde manger a guide to the art of the buffet - Jul 04 2023

web the professional garde manger a guide to the art of the buffet by larousse david paul 1949 publication date 1996 topics quantity cooking cold dishes cooking garnishes cooking buffets cooking publisher new york wiley collection printdisabled internetarchivebooks contributor