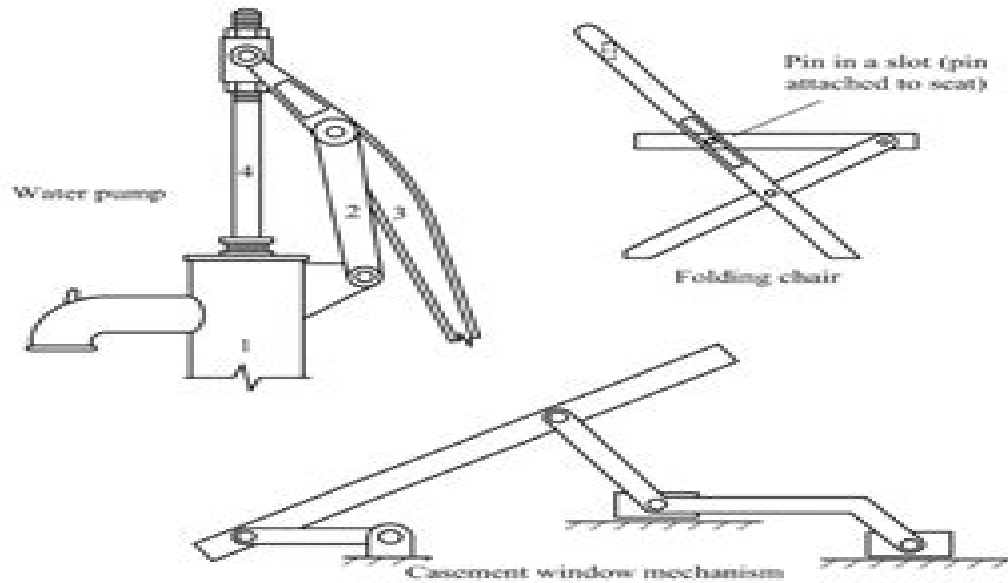
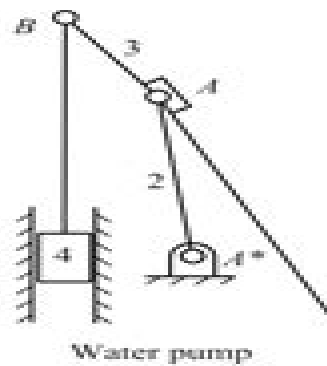


**Problem 1.3**

The drawings shown below are pictorial representations of real mechanisms that are commonly encountered. Make a freehand sketch of the kinematic schematic representation of each mechanism.



**Solution**



# Kinematics Dynamics Of Machinery Solutions Manual

**AW Rasmussen**



**Kinematics Dynamics Of Machinery Solutions Manual:**

Uncover the mysteries within its enigmatic creation, Embark on a Mystery with **Kinematics Dynamics Of Machinery Solutions Manual** . This downloadable ebook, shrouded in suspense, is available in a PDF format ( \*). Dive into a world of uncertainty and anticipation. Download now to unravel the secrets hidden within the pages.

[https://py.bijouxmedusa.com/book/Resources/HomePages/milliken\\_publishing\\_company\\_worksheet\\_answers\\_mp4041.pdf](https://py.bijouxmedusa.com/book/Resources/HomePages/milliken_publishing_company_worksheet_answers_mp4041.pdf)

## **Table of Contents Kinematics Dynamics Of Machinery Solutions Manual**

1. Understanding the eBook Kinematics Dynamics Of Machinery Solutions Manual
  - The Rise of Digital Reading Kinematics Dynamics Of Machinery Solutions Manual
  - Advantages of eBooks Over Traditional Books
2. Identifying Kinematics Dynamics Of Machinery Solutions Manual
  - Exploring Different Genres
  - Considering Fiction vs. Non-Fiction
  - Determining Your Reading Goals
3. Choosing the Right eBook Platform
  - Popular eBook Platforms
  - Features to Look for in an Kinematics Dynamics Of Machinery Solutions Manual
  - User-Friendly Interface
4. Exploring eBook Recommendations from Kinematics Dynamics Of Machinery Solutions Manual
  - Personalized Recommendations
  - Kinematics Dynamics Of Machinery Solutions Manual User Reviews and Ratings
  - Kinematics Dynamics Of Machinery Solutions Manual and Bestseller Lists
5. Accessing Kinematics Dynamics Of Machinery Solutions Manual Free and Paid eBooks
  - Kinematics Dynamics Of Machinery Solutions Manual Public Domain eBooks
  - Kinematics Dynamics Of Machinery Solutions Manual eBook Subscription Services
  - Kinematics Dynamics Of Machinery Solutions Manual Budget-Friendly Options
6. Navigating Kinematics Dynamics Of Machinery Solutions Manual eBook Formats

- ePub, PDF, MOBI, and More
  - Kinematics Dynamics Of Machinery Solutions Manual Compatibility with Devices
  - Kinematics Dynamics Of Machinery Solutions Manual Enhanced eBook Features
7. Enhancing Your Reading Experience
    - Adjustable Fonts and Text Sizes of Kinematics Dynamics Of Machinery Solutions Manual
    - Highlighting and Note-Taking Kinematics Dynamics Of Machinery Solutions Manual
    - Interactive Elements Kinematics Dynamics Of Machinery Solutions Manual
  8. Staying Engaged with Kinematics Dynamics Of Machinery Solutions Manual
    - Joining Online Reading Communities
    - Participating in Virtual Book Clubs
    - Following Authors and Publishers Kinematics Dynamics Of Machinery Solutions Manual
  9. Balancing eBooks and Physical Books Kinematics Dynamics Of Machinery Solutions Manual
    - Benefits of a Digital Library
    - Creating a Diverse Reading Collection Kinematics Dynamics Of Machinery Solutions Manual
  10. Overcoming Reading Challenges
    - Dealing with Digital Eye Strain
    - Minimizing Distractions
    - Managing Screen Time
  11. Cultivating a Reading Routine Kinematics Dynamics Of Machinery Solutions Manual
    - Setting Reading Goals Kinematics Dynamics Of Machinery Solutions Manual
    - Carving Out Dedicated Reading Time
  12. Sourcing Reliable Information of Kinematics Dynamics Of Machinery Solutions Manual
    - Fact-Checking eBook Content of Kinematics Dynamics Of Machinery Solutions Manual
    - Distinguishing Credible Sources
  13. Promoting Lifelong Learning
    - Utilizing eBooks for Skill Development
    - Exploring Educational eBooks
  14. Embracing eBook Trends
    - Integration of Multimedia Elements
    - Interactive and Gamified eBooks

### Kinematics Dynamics Of Machinery Solutions Manual Introduction

In this digital age, the convenience of accessing information at our fingertips has become a necessity. Whether its research papers, eBooks, or user manuals, PDF files have become the preferred format for sharing and reading documents. However, the cost associated with purchasing PDF files can sometimes be a barrier for many individuals and organizations. Thankfully, there are numerous websites and platforms that allow users to download free PDF files legally. In this article, we will explore some of the best platforms to download free PDFs. One of the most popular platforms to download free PDF files is Project Gutenberg. This online library offers over 60,000 free eBooks that are in the public domain. From classic literature to historical documents, Project Gutenberg provides a wide range of PDF files that can be downloaded and enjoyed on various devices. The website is user-friendly and allows users to search for specific titles or browse through different categories. Another reliable platform for downloading Kinematics Dynamics Of Machinery Solutions Manual free PDF files is Open Library. With its vast collection of over 1 million eBooks, Open Library has something for every reader. The website offers a seamless experience by providing options to borrow or download PDF files. Users simply need to create a free account to access this treasure trove of knowledge. Open Library also allows users to contribute by uploading and sharing their own PDF files, making it a collaborative platform for book enthusiasts. For those interested in academic resources, there are websites dedicated to providing free PDFs of research papers and scientific articles. One such website is Academia.edu, which allows researchers and scholars to share their work with a global audience. Users can download PDF files of research papers, theses, and dissertations covering a wide range of subjects. Academia.edu also provides a platform for discussions and networking within the academic community. When it comes to downloading Kinematics Dynamics Of Machinery Solutions Manual free PDF files of magazines, brochures, and catalogs, Issuu is a popular choice. This digital publishing platform hosts a vast collection of publications from around the world. Users can search for specific titles or explore various categories and genres. Issuu offers a seamless reading experience with its user-friendly interface and allows users to download PDF files for offline reading. Apart from dedicated platforms, search engines also play a crucial role in finding free PDF files. Google, for instance, has an advanced search feature that allows users to filter results by file type. By specifying the file type as "PDF," users can find websites that offer free PDF downloads on a specific topic. While downloading Kinematics Dynamics Of Machinery Solutions Manual free PDF files is convenient, its important to note that copyright laws must be respected. Always ensure that the PDF files you download are legally available for free. Many authors and publishers voluntarily provide free PDF versions of their work, but its essential to be cautious and verify the authenticity of the source before downloading Kinematics Dynamics Of Machinery Solutions Manual. In conclusion, the internet offers numerous platforms and websites that allow users to download free PDF files legally. Whether its classic literature, research papers, or magazines, there is something for everyone. The platforms mentioned in this article, such as Project Gutenberg, Open

Library, Academia.edu, and Issuu, provide access to a vast collection of PDF files. However, users should always be cautious and verify the legality of the source before downloading Kinematics Dynamics Of Machinery Solutions Manual any PDF files. With these platforms, the world of PDF downloads is just a click away.

### **FAQs About Kinematics Dynamics Of Machinery Solutions Manual Books**

How do I know which eBook platform is the best for me? Finding the best eBook platform depends on your reading preferences and device compatibility. Research different platforms, read user reviews, and explore their features before making a choice. Are free eBooks of good quality? Yes, many reputable platforms offer high-quality free eBooks, including classics and public domain works. However, make sure to verify the source to ensure the eBook credibility. Can I read eBooks without an eReader? Absolutely! Most eBook platforms offer webbased readers or mobile apps that allow you to read eBooks on your computer, tablet, or smartphone. How do I avoid digital eye strain while reading eBooks? To prevent digital eye strain, take regular breaks, adjust the font size and background color, and ensure proper lighting while reading eBooks. What the advantage of interactive eBooks? Interactive eBooks incorporate multimedia elements, quizzes, and activities, enhancing the reader engagement and providing a more immersive learning experience. Kinematics Dynamics Of Machinery Solutions Manual is one of the best book in our library for free trial. We provide copy of Kinematics Dynamics Of Machinery Solutions Manual in digital format, so the resources that you find are reliable. There are also many Ebooks of related with Kinematics Dynamics Of Machinery Solutions Manual. Where to download Kinematics Dynamics Of Machinery Solutions Manual online for free? Are you looking for Kinematics Dynamics Of Machinery Solutions Manual PDF? This is definitely going to save you time and cash in something you should think about. If you trying to find then search around for online. Without a doubt there are numerous these available and many of them have the freedom. However without doubt you receive whatever you purchase. An alternate way to get ideas is always to check another Kinematics Dynamics Of Machinery Solutions Manual. This method for see exactly what may be included and adopt these ideas to your book. This site will almost certainly help you save time and effort, money and stress. If you are looking for free books then you really should consider finding to assist you try this. Several of Kinematics Dynamics Of Machinery Solutions Manual are for sale to free while some are payable. If you arent sure if the books you would like to download works with for usage along with your computer, it is possible to download free trials. The free guides make it easy for someone to free access online library for download books to your device. You can get free download on free trial for lots of books categories. Our library is the biggest of these that have literally hundreds of thousands of different products categories represented. You will also see that there are specific sites catered to different product types or categories, brands or niches related with Kinematics Dynamics Of Machinery Solutions

Manual. So depending on what exactly you are searching, you will be able to choose e books to suit your own need. Need to access completely for Campbell Biology Seventh Edition book? Access Ebook without any digging. And by having access to our ebook online or by storing it on your computer, you have convenient answers with Kinematics Dynamics Of Machinery Solutions Manual To get started finding Kinematics Dynamics Of Machinery Solutions Manual, you are right to find our website which has a comprehensive collection of books online. Our library is the biggest of these that have literally hundreds of thousands of different products represented. You will also see that there are specific sites catered to different categories or niches related with Kinematics Dynamics Of Machinery Solutions Manual So depending on what exactly you are searching, you will be able to choose ebook to suit your own need. Thank you for reading Kinematics Dynamics Of Machinery Solutions Manual. Maybe you have knowledge that, people have search numerous times for their favorite readings like this Kinematics Dynamics Of Machinery Solutions Manual, but end up in harmful downloads. Rather than reading a good book with a cup of coffee in the afternoon, instead they juggled with some harmful bugs inside their laptop. Kinematics Dynamics Of Machinery Solutions Manual is available in our book collection an online access to it is set as public so you can download it instantly. Our digital library spans in multiple locations, allowing you to get the most less latency time to download any of our books like this one. Merely said, Kinematics Dynamics Of Machinery Solutions Manual is universally compatible with any devices to read.

### **Find Kinematics Dynamics Of Machinery Solutions Manual :**

**milliken publishing company worksheet answers mp4041**

**microwave engineering radmanesh**

middle school reading article

modern biology review section 38 answers

**model business letters e mails other business documents**

~~mercedes benz e class models diesel and turbodiesel e200d e220d e250d e250 td e290 td e300d e300 td series 210 1995 to 2000 with injection pump pocket mechanic~~

**microstrip antennas rd springer**

~~mixed models repeated measures statistical ness~~

mitsubishi montero sport service

*microwave and radar engineering 3rd edition by m kulkarni*

microeconomic theory basic principles and extensions with economic applications infotrac printed access card 11th eleventh edition by nicholson walter snyder christopher m 2011



[mercedes class manual](#)

[microsoft office 2013 manual](#)

[microeconomics lesson 5 activity 37 answer key](#)

**Memory improvement masterplan magnetic memory method**

**Kinematics Dynamics Of Machinery Solutions Manual :**

[sea aquarium ticket prices deals opening hours singapore](#) - Jun 12 2023

web the sea aquarium marine life park is one of the most enchanting tourist attractions in singapore the aquarium features over 100 000 sea creatures and 800 species from 40 diverse habitats it features amazing sea life such as lionfish sea dragons manta rays boxfish hammerhead sharks sea jellies and moray eels amongst many others

**the ocean book aquarium and seaside activities and ideas** - Nov 05 2022

web the ocean book aquarium and seaside activities and ideas for all ages this activity book on the world of the oceans and the living things that inhabit them is filled with experiments investigations puzzles games and all sorts of fun things to do and learn

**buy the ocean book aquarium and seaside activities and ideas** - May 11 2023

web shop the ocean book aquarium and seaside activities and ideas for all ages online at best prices at desertcart the best international shopping platform in singapore free delivery across singapore easy returns exchange

[the ocean book aquarium and seaside activities and ideas for](#) - Jul 13 2023

web may 3 1989 the ocean book aquarium and seaside activities and ideas for all ages this activity book on the world of the oceans and the living things that inhabit them is filled with experiments investigations puzzles games and all sorts of fun things to do and learn

**the ocean book aquarium and seaside activities and ide** - Apr 10 2023

web the ocean book aquarium and seaside activities and ideas for all ages this activity book on the world of the oceans and the living things that inhabit them is filled with experiments investigations puzzles games and all sorts of fun things to do and learn

[sea aquarium singapore book tickets tours](#) - Sep 03 2022

web get the best deals on sea aquarium singapore tickets online you can buy sea aquarium tickets directly at the activity location but you will have to stand in long queues which could be exhausting hence purchasing your sea aquarium singapore tickets online is advisable to ensure a hassle free booking at your own comfort and ease

[sea aquarium hello singapore tours](#) - Mar 09 2023

web mar 4 2020 enter and explore the marine realm of sea aquarium with more than 100 000 marine animals from over 1 000 species across 50 different certified divers can also make a booking to dive in the open ocean habitat shark seas habitat or open water habitat sea aquarium at resorts world sentosa address sentosa

**the ocean book aquarium and seaside activities and ideas for** - Oct 04 2022

web the ocean book aquarium and seaside activities and ideas for all ages aquarium seaside activities and ideas for all ages wiley science editions center for marine conservation cmc amazon in books

the ocean book aquarium and seaside activities and ideas for - Sep 15 2023

web the ocean book aquarium and seaside activities and ideas for all ages 43 center for marine conservation cmc amazon sg books

**the ocean book aquarium and seaside activities and ideas for** - Aug 14 2023

web the ocean book aquarium and seaside activities and ideas for all ages this activity book on the world of the oceans and the living things that inhabit them is filled with experiments investigations puzzles games and all sorts of fun things to do and learn

*buy the ocean book aquarium and seaside activities and* - Mar 29 2022

web the ocean book aquarium and seaside activities and ideas for all ages this activity book on the world of the oceans and the living things that inhabit them is filled with experiments investigations puzzles games and all sorts of fun things to do and learn

*the ocean book aquarium and seaside activities and ideas for* - Oct 16 2023

web the ocean book aquarium and seaside activities and ideas for all ages center for marine conservation free download borrow and streaming internet archive

coasts of the uk ks2 geography year 3 and year 4 - Feb 25 2022

web the irish sea is between england the isle of man northern ireland and the republic of ireland the north atlantic ocean is next to europe africa and north south america map of the seas and

**ocean book aquarium and seaside activities and ideas for all ages** - Aug 02 2022

web the ocean book aquarium and seaside activities and ideas for all ages this activity book on the world of the oceans and the living things that inhabit them is filled with experiments investigations puzzles games and all sorts of fun things to do and learn

the ocean book aquarium and seaside activities and ideas for - Jan 07 2023

web the ocean book book read reviews from world s largest community for readers entertaining and educational activities focusing on the ocean and its creat

[the ocean book aquarium and seaside activities and ideas for](#) - May 31 2022

web the ocean book aquarium and seaside activities and ideas for all ages by center for marine conservation cmc click here for the lowest price hardcover 9780471509738 0471509736

[s e a aquarium tickikids singapore](#) - Feb 08 2023

web the aquarium is home to diverse species of marine animals across different habitats and guests will be awed by the fascinating marine life under the sea once you enter the aquarium you will feel as though you re walking right through the oceans of the world as you gaze at more than 100 000 marine animals of over 1 000 species

**the ocean book aquarium and seaside activities and ideas** - Jul 01 2022

web the ocean book aquarium and seaside activities and ideas for all ages this activity book on the world of the oceans and the living things that inhabit them is filled with experiments investigations puzzles games and all sorts of fun things to do and learn

**s e a aquarium in singapore singapore hellotravel** - Dec 06 2022

web to explore the overwhelming underwater world of the ocean one must visit s e a aquarium in marine life park singapore it is regarded as the largest aquarium in the world this giant aquarium along with the adventure cove waterpark forms the famous marine life park in singapore you have to take a day pass

[kelp and coastal ecosystems seattle aquarium](#) - Apr 29 2022

web olympic coast monitoring along the olympic coast seattle aquarium researchers are also using rovs to evaluate how certain species such as washington s sea otters enhydra lutris kenyonii may help coastal ecosystems and kelp forests bounce back after marine heatwaves disease outbreaks and other disturbances our rovs video record scientific

**bhabhi nangi photos me jawani dikhai 64 hd photos gallery** - Jul 14 2023

web sep 27 2021 desi bhabhi nangi photos 64 hd quality pics 27 09 2021 by akash tanya bhabhi ek garam aur sexy aurat he pati ke lund me ab wo urja nahi he islie usne

[desi sexy indian nude bhabhi without bra panty toripo](#) - Dec 27 2021

web apr 30 2022 chubby indian milf bhabhi nude pics the zone of free downloading of indian sex photos has this chubby indian milf bhabhi nude pics download these

[top 50 indian xxx photo nangi nude collection new hd](#) - Aug 03 2022

web in this post i share many indian girls nude photos their sexy nude photos will blow your mind they are looking very amazing in these photos wish you will love all photos in

👍 👍 👍 👍 👍 **desi porn video** - Jul 02 2022

web 👍 👍 👍 👍 👍 👍 👍 👍 👍 👍 like about 0 views 0 0 0 indian porn punjabi xxx big boobs dehati sex village sex videos desi



bhabhi nangi pic hd gallery aapki kamuk fantasy ko

**xxx images and aunty bhabhi ki boobs photo gaand nangi** - Feb 26 2022

web hot sexy aunty naked bhabhi indian porn girl xxxdesipics porn sex hotzgirl com hot sex picture hotnudephoto com hot nude photo free hd download nudedesigirls net

**desi nangi photo of a bhabhi nude pics in sari 50** - Sep 04 2022

web desi nangi photo of a bhabhi showing her nude sexy body in this photos indian bhabhi is always nice to see if they have big boobs then they are looking more attractive this

*55 hot desi bhabhi nangi photos sex se pahle lover ne liya* - Aug 15 2023

web may 5 2021 katilana desi bhabhiyon ki nangi jism aapko horny bana dengi may 5 2021 by goddess aphrodite ye sexy desi bhabhi nangi photos sex se pahle tharki

56 sexy indian nangi girls pics chut gaand boobs photos - Oct 25 2021

web may 13 2021 indian nangi girls ke sexy boobs gaand chut ke xxx pics may 13 2021 by goddess aphrodite desi hot babes ki tight chut gaand aur rasile boobs ke photos

**sexy desi bhabhi nangi photos ki porn gallery 51 xxx pics** - Jan 08 2023

web apr 7 2021 sexy desi bhabhi nangi photos ki porn gallery 51 xxx pics pati ko sex ke liye uttejti karti hui ye naughty nangi bhabhiyan april 7 2021 by goddess aphrodite

*61 best xxx indian girl nangi photo desi chut gaand pics* - Jun 13 2023

web may 8 2021 by goddess aphrodite desi sexy nude girls ki gulabi chut tight gaand aur juicy boobs ke images dekhkar lund hilaye lijiye maza is latest xxx indian girl nangi

*nangi bhabhi ke boobs aur chut ke 30 desi sex photos* - Feb 09 2023

web apr 24 2017 in images me aap desi indian nangi bhabhi ko dekhe kuch bhabhiya jaanbujhe k bathroom ka darwaja khol ke dewar ke samne nangi hui he to kuch sexy

**50 hd indian nangi girl pics sexy desi nude babes photos** - Sep 23 2021

web may 24 2021 view your favorite desi fantasies coming alive when these girls bhabhi and aunties show their actions in blowjob pussy fucking and anal sex pictures all these sex

**nangi bhabhi mobile porn videos iporntv net** - Apr 30 2022

web download nangi bhabhi free mobile porn xxx videos and many more sex clips enjoy iphone porn at iporntv android sex movies watch free mobile xxx teen videos anal

*lifepac civics teacher s guide aop homeschooling* - Jul 02 2022

web this soft cover alpha omega curriculum guide comes with all the answer keys for lessons and tests in lifepac civics

student units 1 5 imagine all the time you ll save on grading by having all the answers right at your fingertips

**lifepac homeschool com** - Apr 30 2022

web lifepac is a christian homeschool curriculum that offers workbook based learning for grades k 12 in place of one large book for subjects this curriculum is broken into smaller workbooks for easier transport for busy families on the go ten lifepac worktexts make up one full year of learning material per grade level

**lifepac 7th grade bible set aop homeschooling** - Nov 06 2022

web this great alpha omega curriculum resource contains instructional notes for each unit a complete answer key and information about supplemental materials and activities this additional material will help you individualize the program according to your child s specific interests and needs

*science amazon web services* - Aug 03 2022

web answer keys 119 alternate lifepac test 125 instructions for science the lifepac curriculum from grades two through twelve is structured so that the daily instructional material is written directly into the lifepacs the student is encouraged to read and follow this instructional material in order to develop independent study habits

*lifepac homeschool curriculum from aop* - Apr 11 2023

web lifepac curriculum sets contain the subjects of bible history and geography science language arts and math by grade level each subject includes ten worktexts and a user friendly teacher s guide for one full year of studies in a single box directly to you complete grade sets are the best value shop

[history and geography lifepac 1005 flashcards quizlet](#) - Aug 15 2023

web verified answer english decide whether the following word group is or is not a clause on the line provided identify the word group by writing for independent clause s for subordinate clause or n for not a clause example underline text s s 1 where the banquet would be held

**personal insurance personal accident lonpac singapore** - Feb 26 2022

web in the event that our call to you goes unanswered we will try to call you again within the same day alternatively you can call us back at 03 2262 8666 at your convenience

*l i f e p a c amazon web services* - Jun 13 2023

web the lifepac curriculum is conveniently structured to provide one teacher handbook containing teacher support material with answer keys and ten student worktexts for each subject at grade levels two through twelve

**lifepac 4th grade language arts set aop homeschooling** - Oct 05 2022

web this helpful alpha omega curriculum teacher s guide features teaching notes answer keys alternate tests plus many enrichment activities this additional material provides plenty of opportunity for independent study giving you the ability to

tailor the program to your child s individual needs

**science** - Dec 07 2022

web lifepac it should be removed and answer back of this handbook test keys the student the same numbering be given system access to as answer lifepacs keys and not appear the test at keys word recognition grades or in and

**lifepac answers grade 10 history and geography fliphtml5** - Jun 01 2022

web mar 12 2015 structure teacher support material with answer keys and ten student worktexts for each subject at grade pdf books bellow will present you all associated to lifepac answers grade 10 history and geography

**lifepac answer key stage gapinc** - Mar 30 2022

web lifepac answer key 1 lifepac answer key lifepac math grade 3 lifepac psalms lifepac language arts grade 2 teacher s guide lifepac language arts 3rd grade lifepac complete set grade k lifepac science grade 4 lifepac language arts 12th grade horizons pre algebra teacher s guide lifepac math grade 9 lifepac history

lifepac aop schools - May 12 2023

web bible lifepac bible is a christ centered worktext curriculum for grades 1 12 with a developmental in depth study of the old and new testaments the king james version is available for study

*lifepac consumer math answer key alpha omega products* - Sep 16 2023

web lifepac consumer math answer key sku eo2300 help teach your student consumer math with the lifepac consumer math solution test key this helpful soft cover guide lists all the answers keys for lessons and tests in units 1 10 of the lifepac consumer math curriculum 21 40 quantity discounts available quantity price quantity add to

lifepac accounting teacher s guide aop homeschooling - Feb 09 2023

web included are answer keys for lessons and tests in units 1 10 description are you struggling with explaining income statements worksheets and taxes is your student having difficulty grasping assets liabilities and capital are you both getting a little frustrated with accounting there s good news

*assessment and placement tests aop* - Jul 14 2023

web instructions for scoring and evaluation of test results are provided in the answer key pages your child should be able to complete the tests for this christian homeschool curriculum on his own as long as he understands the activity directions

download the free lifepac bible diagnostic test for 2nd 8th grades

**lifepac consumer math solution test key aop** - Oct 17 2023

web help teach your student consumer math with the lifepac consumer math solution test key this helpful soft cover guide lists all the answers keys for lessons and tests in units 1 10 of the lifepac consumer math curriculum

lifepac glnmedia s3 amazonaws com - Jan 08 2023

web n g m n structure of the lifepac curriculum the lifepac curriculum is conveniently structured to provide one teacher handbook containing teacher support material with answer keys and ten student worktexts for each subject at

*lifepac* - Mar 10 2023

web answers as compared to the answer key all answers correct the lifepac test is packaged at the centerfold of each lifepac it should be removed and put aside before giving the booklet to the student for study answer and test keys have the same numbering system as the lifepacs and appear at the back of this handbook

*language arts amazon web services* - Sep 04 2022

web a pronunciation key including diacritical markings is provided after the vocabulary word lists in all subjects beginning with lifepac 305 this section of the language arts teacher s guide includes the following teacher aids suggested and required material supplies additional learning activities answer keys and alternate lifepac tests