

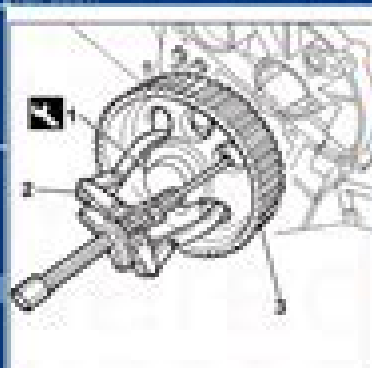
# Cod Motor

1.4 13V	192B2000	198AX12-00	2FAG9000
1.4 T-Jet 130CV	198A1000	198AX12-00 198AX12-02B (**)	2FAG9000
1.9 Multijet 8v 120CV	192B4000	198AX12A-00 (**) 198AX12A-00C (**) 198AX12A-02B (**)(**) 198AX12A-02D (**)(**) *)	2FAG9000
1.9 Multijet 8v 115CV (**)	192B4000	198AX12A-00 (**) 198AX12A-00C (**) 198AX12A-02B (**)(**) 198AX12A-02D (**)(**) *)	2FAG9000
1.9 Multijet 8v 90CV (**)	192B5000	198AX12A-04 (**) 198AX12A-04B (**)(**) *)	2FAG9000
1.9 Multijet 10v	937A5000	198AX12B-02 (**) 198AX12B-02C (**) 198AX12B-02B (**)(**) 198AX12B-02D (**)(**) *)	2FAG9000



# Manuale Officina

PROCEDURA DI MOTORE E 8202 COMANDO DISTRIBUZIONE E 8202 COMANDO DISTRIBUZIONE A - 1021202 COMANDO DISTRIBUZIONE - S.A. PER NOTIZIA IN FINE DELLA DISTRIBUZIONE VIA 50127



1. Posizionare l'apposito attrezzo nella sede della vite di fissaggio puleggia.

Attrezzo	Denominazione	Funzione	Validità
5.845.029.000	Pondello	Appoggio per estrattore	2,3 370

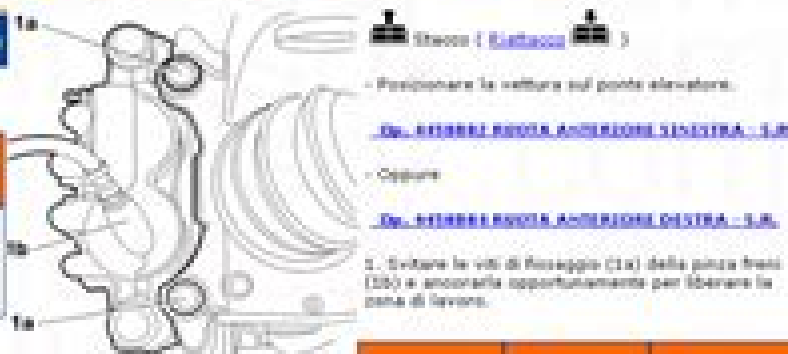
2. Posizionare l'estrattore universale USAO 452/E ed avvitare il perno dell'estrattore fino a battuta con l'attrezzo precedentemente posizionato.

3. Proseguire ad avvitare il perno dell'attrezzo fino ad estrarre le pulegge dall'albero.



1. Rimontare la puleggia distribuzione (1a) nella sede sull'albero, posizionare il perno (1b) per fissare la puleggia rispetto al sensore di fase, quindi avvitare senza serrare la vite di fissaggio (1c) della puleggia all'albero.

Attrezzo	Denominazione	Funzione	Validità



Disco freno anteriore	Spessore	mm
A nuovo		24,2+0,3
280 x 24	Minimo dopo riparazione	22,25
300 x 24		

# Manuale Fiat Bravo

**Sabine Zange**



## **Manuale Fiat Bravo :**

*Fiat Bravo, Brava, Marea and Weekend Repair Manual and Service Guide (1995-2001)* Lindsay Porter,2001-10-01

Fiat Bravo & Brava (1995-2000) Service & Repair Manual Andrew K Legg,2000 Fiat Bravo and Brava Service and Repair Manual A. K. Legg,Robert Jex,2000 Hatchback with 4 cyl engines inc special limited editions Does NOT cover features specific to 1 6 1 8 litre Marea Weekend models Petrol 1 2 litre 1242cc 1 4 litre 1370cc 1 6 litre 1581cc 1 8 litre 1747cc Does NOT cover 2 0 litre HGT **Manuale di riparazione meccanica Fiat Bravo 1.6 JTDm 105cv - RTA214** Autronica

SRL,2010 La Rivista Tecnica dell'Automobile il manuale monografico di manutenzione e riparazione meccanica Pu essere usato da autoriparatori o appassionati esperti per operazioni di stacco riattacco e sostituzione componenti e ricambi dei principali sistemi dell'automobile quali motore cambio freni sospensioni climatizzazione e molto altro Contiene procedure di riparazione chiare e dettagliate corredate da immagini e fotografie in bianco e nero necessarie per poter operare con semplicità velocità e sicurezza sulla vettura **Un atto di marketing. (È un atto e mezzo, lascio?)** Massimo Carraro,2010

**Ecclesiastical Review ...** Herman Joseph Heuser,1924 Il Mondo ,2007-03 **Manuale di riparazione elettronica Fiat Bravo 1.6 JTDm 105 e 120cv - 1.9 JTDm 90 e 120cv - EAV52** Autronica SRL,2010 Questo manuale di riparazione la rivista che illustra e spiega l'impianto elettrico e la gestione elettronica degli impianti della vettura E completo di misurazioni elettriche di valori di resistenze delle utenze oscillogrammi dei segnali degli attuatori elettrici Specifica l'ubicazione dei vari componenti principali della gestione elettronica di tutti gli impianti e ne descrive il principio di funzionamento Sono inoltre indicati tutti i pin out delle principali centraline e descrive dettagliatamente le scatole portafusibili e rel delle vetture

L'espresso ,2008-02 **Fiat Brava, Bravo, Cinquecento, Marea, Punto, Seicento, Tipo** Lindsay Porter,2001-06-01

**Qui touring** ,2001 *El agua res commune omnium* Virginia Abelenda,2016-06-01 La presente obra se concentra en el desarrollo que ha tenido en la jurisprudencia romana la configuración jurídica del agua que determinó su ampliación desde el originario concepto de res pública in publico usu luego como res pública iuris gentium y finalmente como res commune omnium iure naturali as como su autonomía respecto del curso por el cual discurre a Su carácter de res extracomercio o extrapatrimonio su uso público o común y las acciones procesales e interdictos varios de ellos populares de poca republicana que tendían a proteger su acceso y conservación como la acción por injurias o actio iniuriarum la operis novi nuntiatio o denuncia de obra nueva ex causa pública y el interdictum ex operis novi nuntiatione o demolitorium la denuncia interdicto y acción fianza por daño temido cautio damni infecti el interdicto quod vi aut clam o de lo hecho violenta o clandestinamente los interdictos de aqua cottidiana y de aqua aestiva contra la contaminación del acueducto en particular los interdictos de rivis de fonte y la atención puesta en la preservación de la salubritas pública la defensa del ambiente fluvial y ribere o lacustre marítimo y costero a través de los interdictos de fiuminibus publicis y las extensiones del jurista Labeyron los interdictos de cloacis privatis cloacis publicis y de locis et itineribus publicis y la salubridad del aire el interdicto de loco publico fruendo

interdicto contra el impedimento de uso de v as y caminos p blicos de via publica et itinere publico reficiendo de ripa munienda para proteger los equilibrios hidrogeol gicos la prohibici n de inmisiones de humo y otras emanaciones agua en el fundo vecino defendibles con la actio negatoria y la actio iniuriarum la acci n para contener el agua llovediza o actio aquae pluviae arcendae el r gimen de conceci n de aguas p blicas otras fuentes espec ficas de tutela del ambiente acu tico y en fin la tutela procesal del agua en poca imperial y justiniana De todo ello puede extraerse una tutela preventiva restitutoria y resarcitoria m s bien privada del agua en el derecho romano republicano pero susceptible de proteger tambi n y no menos eficazmente con instrumentos d ctiles y de r pida operatividad al alcance de todos el inter s p blico constituyendo la obra un importante aporte cient fico en los tiempos actuales en donde se evidencian los l mites y las dificultades de la acci n de amparo y en general de la configuraci n jur dica del agua y de su tutela p blica administrativa o penal

Enciclopedia dell'Automobile - Volumi singoli Fabio Raffaelli,2012-06 L Enciclopedia dell Automobile in oltre 1100 pagine ripercorre la storia di pi di 700 case automobilistiche raccontate modello per modello con immagini e descrizioni dettagliate Un enciclopedia da leggere come un avvincente romanzo ma anche da consultare di volta in volta per avere un immediato ragguaglio su una marca o semplicemente rammentare una data o un modello L Enciclopedia dell Automobile una vera e propria guida per ripercorrere il lungo cammino dell automobile gustandone appieno atmosfere e individui Di questi personaggi grandi professionisti ma anche semplici dilettanti pronti a tutto pur di incidere il loro nome nell albo d oro della storia dell automobile e dell agonismo si raccontano le avventure umane e imprenditoriali intessute di cuore e passioni di azzardo e creativita L Enciclopedia racconta queste sfide affiancando alle idee che hanno portato alla nascita dei modelli di successo i piloti meccanici e manager che hanno permesso che un intuizione si trasformasse in una brillante realt produttiva Ogni Paese rappresentato dalla Cina ad Israele con un occhio di riguardo alla storia motoristica italiana

**Panorama**,2008-12 **Vocabolario della lingua italiana** Pietro Fanfani,1891 **L'unione giornoletto didattico-politico degl'insegnanti primari d'Italia** ,1894 *Fiat Bravo/Brava* ,1998 **Dell'educazione dei sordomuti in Italia** ,1873

La scuola nazionale rassegna d'educazione e d'istruzione specialmente per le scuole elementari e normali e per gli educatori d'infanzia ,1891 Francisci Mariae Pitonii ... Disceptationum Ecclesiasticarum, In Quibus Frequentiora Ecclesiastici Fori Litigia Unà cum Decretis tam Datariae Apostolicae, quàm Sacrarum Congregationum particularium, & generalium, necnon Decisionibus Sacrae Rotae Romanae c Pittone,1733

Delve into the emotional tapestry woven by Crafted by in Dive into the Emotion of **Manuale Fiat Bravo** . This ebook, available for download in a PDF format ( PDF Size: \*), is more than just words on a page; itis a journey of connection and profound emotion. Immerse yourself in narratives that tug at your heartstrings. Download now to experience the pulse of each page and let your emotions run wild.

[https://py.bijouxmedusa.com/public/browse/default.aspx/Financial\\_Accounting\\_12th\\_Edition\\_Answer\\_Key.pdf](https://py.bijouxmedusa.com/public/browse/default.aspx/Financial_Accounting_12th_Edition_Answer_Key.pdf)

## **Table of Contents Manuale Fiat Bravo**

1. Understanding the eBook Manuale Fiat Bravo
  - The Rise of Digital Reading Manuale Fiat Bravo
  - Advantages of eBooks Over Traditional Books
2. Identifying Manuale Fiat Bravo
  - Exploring Different Genres
  - Considering Fiction vs. Non-Fiction
  - Determining Your Reading Goals
3. Choosing the Right eBook Platform
  - Popular eBook Platforms
  - Features to Look for in an Manuale Fiat Bravo
  - User-Friendly Interface
4. Exploring eBook Recommendations from Manuale Fiat Bravo
  - Personalized Recommendations
  - Manuale Fiat Bravo User Reviews and Ratings
  - Manuale Fiat Bravo and Bestseller Lists
5. Accessing Manuale Fiat Bravo Free and Paid eBooks
  - Manuale Fiat Bravo Public Domain eBooks
  - Manuale Fiat Bravo eBook Subscription Services
  - Manuale Fiat Bravo Budget-Friendly Options

6. Navigating Manuale Fiat Bravo eBook Formats
  - ePub, PDF, MOBI, and More
  - Manuale Fiat Bravo Compatibility with Devices
  - Manuale Fiat Bravo Enhanced eBook Features
7. Enhancing Your Reading Experience
  - Adjustable Fonts and Text Sizes of Manuale Fiat Bravo
  - Highlighting and Note-Taking Manuale Fiat Bravo
  - Interactive Elements Manuale Fiat Bravo
8. Staying Engaged with Manuale Fiat Bravo
  - Joining Online Reading Communities
  - Participating in Virtual Book Clubs
  - Following Authors and Publishers Manuale Fiat Bravo
9. Balancing eBooks and Physical Books Manuale Fiat Bravo
  - Benefits of a Digital Library
  - Creating a Diverse Reading Collection Manuale Fiat Bravo
10. Overcoming Reading Challenges
  - Dealing with Digital Eye Strain
  - Minimizing Distractions
  - Managing Screen Time
11. Cultivating a Reading Routine Manuale Fiat Bravo
  - Setting Reading Goals Manuale Fiat Bravo
  - Carving Out Dedicated Reading Time
12. Sourcing Reliable Information of Manuale Fiat Bravo
  - Fact-Checking eBook Content of Manuale Fiat Bravo
  - Distinguishing Credible Sources
13. Promoting Lifelong Learning
  - Utilizing eBooks for Skill Development
  - Exploring Educational eBooks
14. Embracing eBook Trends
  - Integration of Multimedia Elements

- Interactive and Gamified eBooks

### **Manuale Fiat Bravo Introduction**

Manuale Fiat Bravo Offers over 60,000 free eBooks, including many classics that are in the public domain. Open Library: Provides access to over 1 million free eBooks, including classic literature and contemporary works. Manuale Fiat Bravo Offers a vast collection of books, some of which are available for free as PDF downloads, particularly older books in the public domain. Manuale Fiat Bravo : This website hosts a vast collection of scientific articles, books, and textbooks. While it operates in a legal gray area due to copyright issues, its a popular resource for finding various publications. Internet Archive for Manuale Fiat Bravo : Has an extensive collection of digital content, including books, articles, videos, and more. It has a massive library of free downloadable books. Free-eBooks Manuale Fiat Bravo Offers a diverse range of free eBooks across various genres. Manuale Fiat Bravo Focuses mainly on educational books, textbooks, and business books. It offers free PDF downloads for educational purposes. Manuale Fiat Bravo Provides a large selection of free eBooks in different genres, which are available for download in various formats, including PDF. Finding specific Manuale Fiat Bravo , especially related to Manuale Fiat Bravo , might be challenging as theyre often artistic creations rather than practical blueprints. However, you can explore the following steps to search for or create your own Online Searches: Look for websites, forums, or blogs dedicated to Manuale Fiat Bravo , Sometimes enthusiasts share their designs or concepts in PDF format. Books and Magazines Some Manuale Fiat Bravo books or magazines might include. Look for these in online stores or libraries. Remember that while Manuale Fiat Bravo , sharing copyrighted material without permission is not legal. Always ensure youre either creating your own or obtaining them from legitimate sources that allow sharing and downloading. Library Check if your local library offers eBook lending services. Many libraries have digital catalogs where you can borrow Manuale Fiat Bravo eBooks for free, including popular titles. Online Retailers: Websites like Amazon, Google Books, or Apple Books often sell eBooks. Sometimes, authors or publishers offer promotions or free periods for certain books. Authors Website Occasionally, authors provide excerpts or short stories for free on their websites. While this might not be the Manuale Fiat Bravo full book , it can give you a taste of the authors writing style. Subscription Services Platforms like Kindle Unlimited or Scribd offer subscription-based access to a wide range of Manuale Fiat Bravo eBooks, including some popular titles.

### **FAQs About Manuale Fiat Bravo Books**

How do I know which eBook platform is the best for me? Finding the best eBook platform depends on your reading preferences and device compatibility. Research different platforms, read user reviews, and explore their features before

making a choice. Are free eBooks of good quality? Yes, many reputable platforms offer high-quality free eBooks, including classics and public domain works. However, make sure to verify the source to ensure the eBook credibility. Can I read eBooks without an eReader? Absolutely! Most eBook platforms offer webbased readers or mobile apps that allow you to read eBooks on your computer, tablet, or smartphone. How do I avoid digital eye strain while reading eBooks? To prevent digital eye strain, take regular breaks, adjust the font size and background color, and ensure proper lighting while reading eBooks. What the advantage of interactive eBooks? Interactive eBooks incorporate multimedia elements, quizzes, and activities, enhancing the reader engagement and providing a more immersive learning experience. Manuale Fiat Bravo is one of the best book in our library for free trial. We provide copy of Manuale Fiat Bravo in digital format, so the resources that you find are reliable. There are also many Ebooks of related with Manuale Fiat Bravo . Where to download Manuale Fiat Bravo online for free? Are you looking for Manuale Fiat Bravo PDF? This is definitely going to save you time and cash in something you should think about. If you trying to find then search around for online. Without a doubt there are numerous these available and many of them have the freedom. However without doubt you receive whatever you purchase. An alternate way to get ideas is always to check another Manuale Fiat Bravo . This method for see exactly what may be included and adopt these ideas to your book. This site will almost certainly help you save time and effort, money and stress. If you are looking for free books then you really should consider finding to assist you try this. Several of Manuale Fiat Bravo are for sale to free while some are payable. If you arent sure if the books you would like to download works with for usage along with your computer, it is possible to download free trials. The free guides make it easy for someone to free access online library for download books to your device. You can get free download on free trial for lots of books categories. Our library is the biggest of these that have literally hundreds of thousands of different products categories represented. You will also see that there are specific sites catered to different product types or categories, brands or niches related with Manuale Fiat Bravo . So depending on what exactly you are searching, you will be able to choose e books to suit your own need. Need to access completely for Campbell Biology Seventh Edition book? Access Ebook without any digging. And by having access to our ebook online or by storing it on your computer, you have convenient answers with Manuale Fiat Bravo To get started finding Manuale Fiat Bravo , you are right to find our website which has a comprehensive collection of books online. Our library is the biggest of these that have literally hundreds of thousands of different products represented. You will also see that there are specific sites catered to different categories or niches related with Manuale Fiat Bravo So depending on what exactly you are searching, you will be able to choose ebook to suit your own need. Thank you for reading Manuale Fiat Bravo . Maybe you have knowledge that, people have search numerous times for their favorite readings like this Manuale Fiat Bravo , but end up in harmful downloads. Rather than reading a good book with a cup of coffee in the afternoon, instead they juggled with some harmful bugs inside their laptop. Manuale Fiat Bravo is available in our book collection an online access to it is set as public

so you can download it instantly. Our digital library spans in multiple locations, allowing you to get the most less latency time to download any of our books like this one. Merely said, Manuale Fiat Bravo is universally compatible with any devices to read.

**Find Manuale Fiat Bravo :**

*financial accounting 12th edition answer key*

**fiat coupe 16v 20v turbo service repair manual**

**foundation of electric circuits solution manual**

*fault code mitsubishi lancer 2004 manual*

*ford mondeo mk3 workshop*

**financial markets institutions edition 7 by frederic s mishkin stanley**

*forces in 1d phet simulation lab answers*

**faq planes frequently asked questions about techniques used for painting aircraft by j m villalba 2010 08 01**

**fischer scientific manuals**

**first thousand words in russian usborne first thousand words**

**forensic investigation of explosions second edition international forensic science and investigation**

*filtering wireshark display filter protocol tlsv1 and*

*fillimi i nje biznesi slideshare net*

*ford 6000 ed codes instant ford radio unlock service*

**fe civil sample questions and solutions book**

**Manuale Fiat Bravo :**

**polyhedron math net** - Apr 05 2022

web a polyhedron net is a 2d pattern of polygons that can be modified to form each polyhedron most regular prisms are generally not considered regular polyhedra a cube is the only regular prism that can also be classified as a regular polyhedron likewise a regular tetrahedron is the only regular pyramid that is also a regular polyhedron prisms

**prisms with examples math is fun** - Aug 21 2023

web here is an example of an irregular prism right vs oblique prism when the two ends are perfectly aligned it is a right prism otherwise it is an oblique prism surface area of a prism surface area 2 base area base perimeter length

**pentagonal prism definition geometry and applications** - Oct 11 2022

web feb 2 2023 irregular pentagonal prism an irregular pentagonal prism has irregular pentagons as its bases in an irregular pentagon the sides and angles are not necessarily equal therefore in an irregular pentagonal prism the rectangular faces can be rectangles of different dimensions below we present the generic diagram for the  
*pentagonal prism calculator geometrical 3d shape unit* - Aug 09 2022

web a pentagonal prism is a type of prism that uses a pentagon for a base its volume and total surface area can be calculated using the tool provided equation form surface area  $SA = 5a^2 + 5lh$  volume  $V = 5a^2h$

**faces vertices and edges in a pentagonal prism neurochispas** - Jul 08 2022

web the pentagonal prism is a prism that has two parallel pentagonal bases and five rectangular side faces these prisms are also considered as heptahedra these three dimensional figures have a total of 7 faces 10 vertices and 15 edges

*pentagonal prism properties faces shape study com* - Jun 19 2023

web jan 24 2022 a pentagonal prism is a prism with the base of a pentagon they can be regular irregular right or oblique but they each contain 7 faces 15 edges and 10 vertices look for pentagonal prisms in

*irregular pentagonal prism net orientation sutd edu* - Mar 04 2022

web irregular pentagonal prism net website excellent nets interactive which shows each shape in both solid and net form and includes shading the above triangular dipyrmaid has 5 vertices and 9 edges its the dual of a triangular prism and looks like two tetrahedra glued on a common face the pentagonal pyramid has 6 vertices and 10

**animated polyhedron models math is fun** - Sep 22 2023

web spin the solid print the net make one yourself use the arrow keys at the top to step through all the models or jump straight to one below tetrahedron cube octahedron dodecahedron augmented pentagonal prism j52 biaugmented pentagonal prism j53 augmented hexagonal prism j54 parabiaugmented hexagonal prism j55

**file geometric net of a pentagonal prism svg wikimedia** - Apr 17 2023

web sep 11 2020 english a geometric net of a pentagonal prism the base and the top are regular pentagons the sides are rectangles created with geogebra

**net of a regular pentagonal prism geogebra** - Jan 14 2023

web net of a regular pentagonal prism author terry lee lindenmuth topic area geometry prism surface volume move the points or the pentagon or the reflection point

**pentagonal prism formulas examples and diagram math monks** - Jul 20 2023

web aug 3 2023 solution as we know lateral surface area  $LSA = 5bh$  here  $b = 7 \text{ cm}$   $h = 3 \text{ cm}$   $LSA = 5 \cdot 7 \cdot 3 = 105 \text{ cm}^2$  total surface area  $TSA = 5ab + LSA$  here  $a = 4.81 \text{ cm}$   $LSA = 105 \text{ cm}^2$

*pentagonal prism definition types volume formula examples* - Dec 13 2022

web net of a pentagonal prism surface area of a pentagonal prism a pentagonal prism has two types of surface areas total surface area and lateral surface area total surface area of a pentagonal prism a regular pentagonal prism s total surface area gives each face s area i e seven prism faces

**pentagonal prism 3d shape net worksheet worksheet twinkl** - Mar 16 2023

web this 3d shape nets resource pack includes many different 3d shapes for you to pick from with a choice of downloadable options including an eco friendly one you re able to get hold of nets for 10 different shapes these include a cylinder cuboid cube pentagonal prism and dodecahedron

*pentagonal pyramid formulas properties definition examples* - May 06 2022

web the net of the pentagonal pyramid is the base of the pyramid shaped as a pentagon while the sides or faces of the pyramid are shaped like triangles the method to draw the net of a pentagonal pyramid is first let us begin by drawing the base of

3d geometric shapes nets math salamanders - Oct 23 2023

web welcome to math salamanders nets for 3d geometric shapes for prisms and pyramids here you will find a wide range of free printable nets for a range of 3d shapes for display or to support math learning shape clipart the math salamanders have a large bank of free printable shape clipart

*volume of pentagonal prism formula definition and examples* - Sep 10 2022

web how do you find the volume of an irregular pentagonal prism to find the volume of an irregular prism just put the values of base area and height in the volume of prism formula that is  $v = \text{base area} \times \text{height}$  so is the case with an irregular pentagonal prism step 1 check all the information that is given base area and height

*pentagonal prism definition formulae of volume surface* - May 18 2023

web a prism is a polyhedron that has only flat faces but a cylinder has curved surfaces therefore it is not a prism what is the net of a pentagonal prism the net of a pentagonal prism consists of 2 pentagon shaped faces located at the top and bottom of the shape along with 5 rectangle shaped sides

surface area and volume of prisms ks3 maths bbc - Feb 15 2023

web a prism with a pentagon shaped cross section is a pentagonal prism a 3d shape with a circular cross section is a cylinder a cylinder is not a prism because the circle is not a polygon

**foldable net of a pentagonal prism math worksheets 4 kids** - Nov 12 2022

web the idea behind the nets of the pentagonal prism is to make learning pentagonal prism more engaging for children grab these printable worksheets on the nets of a pentagonal prism meticulously prepared for students in grade 4 grade 5 and

grade 6 turn your dreams of becoming a full fledged pentagonal maestro into reality nets of 3d shapes

[pentagonal prism byju s](#) - Jun 07 2022

web to find the volume of a regular pentagonal prism first you have to find the apothem length a the apothem length is a measure from the centre of a polygon to the midpoint of any side the formula to find the volume of a pentagonal prism is given as volume of pentagonal prism  $\frac{5}{2} a b h$  cubic units where

[pons reise sprachführer chinesisich sprachen lernen chinesisich](#) - Apr 11 2023

web verstehen und verstanden werden mit dem wörterbuch chinesisich deutsch und deutsch chinesisich kommen sie überall sicher durch wie die einheimischen mit insider tipps verstehen sie land und leute besser

**pons reisewörterbuch chinesisich 9783125181281 boeken** - Feb 26 2022

web pons reisewörterbuch chinesisich paperback ga naar zoeken ga naar hoofdinhoud lekker winkelen zonder zorgen gratis verzending vanaf 20 bezorging dezelfde dag s avonds of in het weekend gratis retourneren select ontdek nu

[pons reisewörterbuch englisch reisewörterbuch und](#) - Dec 27 2021

web 5 0 von 5 sternern pons reisewörterbuch kundenrezension aus deutschland am 23 september 2011 das wörterbuch ist sehr informativ und gut gestaltet alles ist übersichtlich auch die cd dazu ist gut jedoch durch das kleinere format nicht in [9783125181021 pons reisewörterbuch chinesisich](#) - Dec 07 2022

web abebooks com pons reisewörterbuch chinesisich 9783125181021 and a great selection of similar new used and collectible books available now at great prices 9783125181021 pons reisewörterbuch chinesisich 312518102x abebooks

**chinesisich wörterbücher und sprachkurse online kaufen pons** - Jul 02 2022

web buch pons grammatik kurz bündig chinesisich die beliebteste nachschlagegrammatik mit online Übungen 14 95 buch pons bildwörterbuch chinesisich 16 000 wörter und wendungen mit landestypischem sonderteil 12 95 buch pons zeige wörterbuch mit dem zeigefinger rund um die welt

[pons reisewörterbuch chinesisich gebrauchtes buch eurobuch](#) - Jun 01 2022

web pons reisewörterbuch chinesisich finden sie alle bücher von wu shu hsiung hoss ulrich bei der büchersuchmaschine eurobuch com können sie antiquarische und neubücher vergleichen und sofort zum bestpreis bestellen 3125182417 pu stuttgart dresden ernst klett verlag für wissen und bildung 285

**chinesisich pons reisewörterbuch bücher de** - Oct 05 2022

web im richtigen moment das richtige wort wenn es darauf ankommt haben sie den wichtigen wortschatz griffbereit in thematischen kapiteln oder im wörterbuch teil

**pons Übersetzer im app store** - Apr 30 2022

web der kostenlose Übersetzer von pons schnell und zuverlässig übersetzen in über 50 wörterbüchern von pons und einer

textübersetzung für insgesamt 40 sprachen der Übersetzer bietet lösungen für jede suchanfrage die app umfasst die pons wörterbücher für arabisch bulgarisch chinesisches deutsch e

**pons reisewörterbuch chinesisches bücher gebraucht** - Mar 30 2022

web pons reisewörterbuch chinesisches bücher gebraucht antiquarisch neu kaufen preisvergleich käuferschutz wir bücher wörterbuch deutsch chinesisches Übersetzung pons - Jun 13 2023

web Übersetzung deutsch chinesisches für wörterbuch im pons online wörterbuch nachschlagen gratis vokabeltrainer verbtabelle aussprachefunktion

*pons reisewörterbuch chinesisches isbn 978 3 12 518128 1* - Nov 06 2022

web pons reisewörterbuch chinesisches isbn 978 3 12 518128 1 alles versandkostenfrei bestellen lehmanns de

pons reisewörterbuch chinesisches alte ausgaben - Feb 09 2023

web im richtigen moment das richtige wort wenn es darauf ankommt haben sie den wichtigen wortschatz griffbereit ndash in thematischen kapiteln oder im w ouml rterbuch teil mit beispiele auml tzen formulieren sie s auml tze

**pons reisewörterbuch chinesisches poche collectif fnac** - Sep 04 2022

web pons reisewörterbuch chinesisches collectif klett libri des milliers de livres avec la livraison chez vous en 1 jour ou en magasin avec 5 de réduction

**pons reisewörterbuch chinesisches amazon de** - May 12 2023

web pons reisewörterbuch chinesisches hoss u wu s isbn 9783125182417 kostenloser versand für alle bücher mit versand und verkauf duch amazon

*pons pocket sprachführer türkisch alles für die reise mit* - Jan 28 2022

web taschenbuch 270 seiten isbn 10 312518567x isbn 13 978 3125185678 lesealter ab 12 jahren abmessungen 8 2 x 1 6 x 11 3 cm amazon bestseller rang nr 391 094 in bücher siehe top 100 in bücher nr 25 in türkisch deutsch wörterbücher nr 436 in sprachführer für reisen nr 79 939 in

*pons Übersetzungen die nummer 1 für deutsch chinesisches* - Aug 15 2023

web kostenlose deutsch chinesisches Übersetzung im pons online wörterbuch das online wörterbuch deutsch chinesisches von pons ist ein kostenloses online nachschlagewerk für alle suche ein wort oder einen satz indem du etwas in das suchfeld tippst

pons reisewörterbuch chinesisches reisewörterbuch und - Jul 14 2023

web pons reisewörterbuch chinesisches reisewörterbuch und sprachführer mit interkulturellen tipps isbn 9783125181021 kostenloser versand für alle bücher mit versand und verkauf duch amazon

*pons reisewörterbuch chinesisches abebooks* - Aug 03 2022

web pons reisewörterbuch chinesisches reisewörterbuch und sprachführer mit interkulturellen tipps by unknown and a great

selection of related books art and collectibles available now at abebooks com

[312518102x pons reisewörterbuch chinesischesch](#) - Mar 10 2023

web pons reisewörterbuch chinesischesch reisewörterbuch und sprachführer mit interkulturellen tipps finden sie alle bücher von wu shu hsiung bei der büchersuchmaschine eurobuch com können sie antiquarische und neubücher vergleichen und sofort zum bestpreis bestellen 312518102x die neue generation der erfolgreichen

[pons reisewörterbuch chinesischesch 9783125181021 abebooks](#) - Jan 08 2023

web pons reisewörterbuch teil chinesischesch bearb von wu shu hsiung ulrich hoss wu shu hsiung mitwirkender published by barcelona belgrad budapest ljubljana london posen prag sofia stuttgart zagreb klett sprachen 2004

**these 5 republican candidates qualified for the third debate** - Jul 26 2022

web 2 days ago nicholas martin and jacobina martin november 8 2023 at 12 00 a m est 3 min dear miss manners when we go to the movie theater my wife and i like to stay

[miss rita full movie full pdf helpdesk bricksave](#) - Dec 19 2021

web with the money for below as without difficulty as review miss rita full story what you like to read a dog named doug karma wilson 2018 06 26 dogs love to dig but one dog

[miss rita full story uniport edu ng](#) - Jun 12 2021

web miss rita yes bur mr roy we otscusso about your son yet that was my ma m of br ng ng you here even m would end up like rms well i m sorry about my sonrs behawour he rs

[miss rita full story rhur impacthub net](#) - Sep 15 2021

web miss rita full story 1 miss rita full story when people should go to the books stores search establishment by shop shelf by shelf it is in fact problematic this is why we

[miss rita full story checkin thecontemporaryaustin org](#) - May 04 2023

web november 7 2023 7 56 am 2 10 2023 elections to watch mississippi governor democrats could win the governor s office for the first time since 1999 mississippi

**miss rita archive org** - Feb 18 2022

web miss rita full episodes miss rita full episodes 2 downloaded from backoffice ceu social on 2022 04 28 by guest the idea for convening a fourth international symposium on

**miss rita full story pdf copy voto uneal edu** - Apr 10 2021

**top takeaways from 2023 election results the washington post** - Mar 02 2023

web 2 days ago by michael e ruane november 8 2023 at 7 00 a m est xiao qi ji holds onto his mom mei xiang during the 50th

anniversary celebration of the national zoo s

**miss rita episode 3 internet archive** - May 12 2021

web miss rita full story pdf upload mia v williamson 2 9 downloaded from voto uncal edu br on august 17 2023 by mia v williamson the promise race method page 65 summary

**mississippi election results 2023 the new york times** - Jun 05 2023

web miss rita full story downloaded from checkin thecontemporaryaustin org by guest hallie cardenas the athenaeum andrews uk limited after her alcoholic and abusive

california woman missing while on yoga retreat in guatemala - Nov 29 2022

web rita created by christian torpe with mille dinesen lise baastrup nikolaj groth carsten bjørnlund schoolteacher rita is a very outspoken rebellious woman who is competent

miss rita full story uniport edu ng - Jul 14 2021

web jun 13 2023 miss rita full story 1 1 downloaded from uniport edu ng on june 13 2023 by guest miss rita full story eventually you will extremely discover a new experience and

**miss rita full story pqr uiaf gov co** - Nov 17 2021

web miss rita full episodes 2022 08 13 mcconnell kendal the athenaeum pantheon free heart is the heartfelt story of a fourteen year old orphan s personal journey to

**miss rita mystery reader by sam donovan kristen wixted** - Jul 06 2023

web nov 7 2023 tate reeves republican is re elected as governor of mississippi gov tate reeves a republican is seeking a second term but the easy victory that many

**miss manners slacker turned academic doesn t fit in back home** - Dec 31 2022

web 1 day ago a southern california woman s yoga retreat in guatemala turned into a living hell for her family when she vanished days after her arrival without a trace nancy ng

**miss rita full story pdf book webdisk gestudy byu edu** - May 24 2022

web miss rita full episodes 1 miss rita full episodes the forgotten flapper shoot out at sugar creek the play pictorial story of one man s death seth leavens it with humor

miss manners moviegoers didn t respect our desire to stay for the - Jun 24 2022

web jun 1 2023 as this miss rita full story pdf it ends going on mammal one of the favored book miss rita full story pdf collections that we have this is why you remain in the

*miss rita full story pdf 2023 election tv standardmedia co* - Aug 07 2023

web miss rita mystery reader sam donovan and kristen wixted illus by violet tobacco farrar straus and giroux 18 99 40p isbn

978 1 2507 7476 7

[mississippi 2023 gubernatorial election results abc news](#) - Apr 03 2023

web november 7 2023 at 11 18 p m est voters fill out their ballots at a polling station in midlothian va on tuesday julia

nikhinson for the washington post 1 another good

[rita tv series 2012 2020 imdb](#) - Oct 29 2022

web 17 hours ago more attorneys for ole miss and football coach lane kiffin filed a motion in court to dismiss a 40 million lawsuit that a player filed against them in september

[miss rita full episodes pdf oldcove](#) - Aug 27 2022

web nov 7 2023 former new jersey gov chris christie florida gov ron desantis former united nations ambassador nikki haley businessman vivek ramaswamy and sen tim

[miss rita mystery reader kirkus reviews](#) - Sep 08 2023

web story star rita moreno shares her remarkable journey from a young girl with simple beginnings in puerto rico to hollywood legend one of the few performers and the only

[miss rita mystery reader by sam donovan](#) - Oct 09 2023

web may 3 2022 miss rita mystery reader by sam donovan kristen wixted illustrated by violet tobacco release date may 3 2022 let this winning pair

**ole miss football coach lane kiffin file motion to dismiss 40m** - Sep 27 2022

web ghosts and grannies she tells the story of her family where they came from and how they settled in south alabama and northwest florida telling the events as literary

[miss rita full episodes vps huratips com](#) - Apr 22 2022

web nov 5 2023 mr leslie is writing john and paul a love story in songs a book about the relationship between john lennon and paul mccartney sixty one years after releasing

**opinion now and then i miss you the love story at the** - Mar 22 2022

web fucking miss rita do you want me to fuck you harder yeahh that s the way miss rita i could fuck you all day long phl f answer me bitch mac yes 1 1 feel so guilty about

[miss rita full episodes wrbb neu edu](#) - Oct 17 2021

web sep 10 2023 miss rita full story rita moreno wikipedia miss rita ep 1 20 torrent download free met gala 2018 rita ora leads the glamour for the brits met gala 2018

**miss rita full story full pdf wrbb neu** - Aug 15 2021

web miss rita full story 1 8 downloaded from uniport edu ng on september 29 2023 by guest miss rita full story getting the

books miss rita full story now is not type of inspiring

**d c s pandas leave for china ending an era for animal lovers** - Feb 01 2023

web 9 hours ago dear miss manners i am a fan of a local sports team and i have a friend with season tickets any time they are unable to attend they offer to sell me the tickets the

**miss rita full episodes backoffice ceu social** - Jan 20 2022

web miss rita full movie 3 3 it is superior in every respect and anne dyson writes like a dream tom newkirk university of new hampshire this book is unique in that it