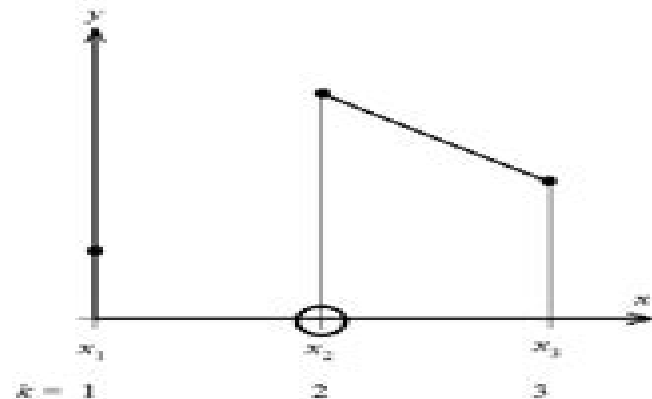


ME 1020: ENGINEERING PROGRAMMING WITH MATLAB FINAL EXAM

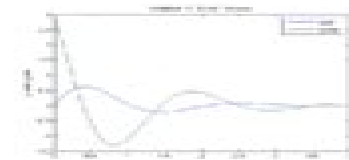
Open Book, Closed Notes, Do Not Write on this Sheet
Create a Separate MATLAB Script File for Each Problem
Submit all MATLAB files (.m) to Dr. Thomas
Each MATLAB File Must Have the Following Header:

```
1 % Final Exam, ME 1020, Spring 2016, Your Name Here
2 clc, clear all, close all
```

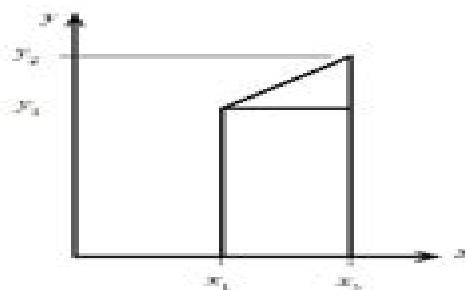
Problem 1 (4 Points): Create a MATLAB script file to calculate and plot the derivative of the function $y(x) = e^{-x} \sin(3x)$ from $0 \leq x \leq 4$ using the Forward Difference Method described in class (shown below). You must use a for loop to solve this problem. Provide a plot title and labels for the axes. Use 101 points from $x = 0$ to $x = 4$.



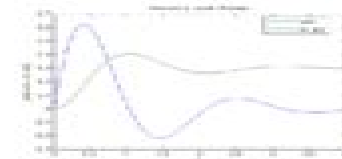
$$\left. \frac{dy}{dx} \right|_{x_2} = \frac{y_3 - y_2}{x_3 - x_2}$$



Problem 2 (4 Points): Create a MATLAB script file to calculate and plot the integral of the function $y(x) = e^{-x} \sin(3x)$ from $0 \leq x \leq 4$ using the Trapezoidal Method described in class (shown below). You must use a for loop to solve this problem. Provide a plot title and labels for the axes. Use 101 points from $x = 0$ to $x = 4$.



$$A_{\text{trapezoid}} = \frac{1}{2} (x_2 - x_1) (y_1 + y_2)$$



Matlab Final Exam And Answers

Bhagwandas Pannalal Lathi



Matlab Final Exam And Answers:

Eventually, you will entirely discover a new experience and realization by spending more cash. yet when? attain you understand that you require to acquire those every needs with having significantly cash? Why dont you attempt to get something basic in the beginning? Thats something that will guide you to comprehend even more going on for the globe, experience, some places, taking into account history, amusement, and a lot more?

It is your unconditionally own era to put it on reviewing habit. in the midst of guides you could enjoy now is **Matlab Final Exam And Answers** below.

https://py.bijouxmedusa.com/files/detail/Download_PDFS/24_2866_wearable_technology_strategies_for_creators_24_521_wearable.pdf

Table of Contents Matlab Final Exam And Answers

1. Understanding the eBook Matlab Final Exam And Answers
 - The Rise of Digital Reading Matlab Final Exam And Answers
 - Advantages of eBooks Over Traditional Books
2. Identifying Matlab Final Exam And Answers
 - Exploring Different Genres
 - Considering Fiction vs. Non-Fiction
 - Determining Your Reading Goals
3. Choosing the Right eBook Platform
 - Popular eBook Platforms
 - Features to Look for in an Matlab Final Exam And Answers
 - User-Friendly Interface
4. Exploring eBook Recommendations from Matlab Final Exam And Answers
 - Personalized Recommendations
 - Matlab Final Exam And Answers User Reviews and Ratings
 - Matlab Final Exam And Answers and Bestseller Lists

5. Accessing Matlab Final Exam And Answers Free and Paid eBooks
 - Matlab Final Exam And Answers Public Domain eBooks
 - Matlab Final Exam And Answers eBook Subscription Services
 - Matlab Final Exam And Answers Budget-Friendly Options
6. Navigating Matlab Final Exam And Answers eBook Formats
 - ePub, PDF, MOBI, and More
 - Matlab Final Exam And Answers Compatibility with Devices
 - Matlab Final Exam And Answers Enhanced eBook Features
7. Enhancing Your Reading Experience
 - Adjustable Fonts and Text Sizes of Matlab Final Exam And Answers
 - Highlighting and Note-Taking Matlab Final Exam And Answers
 - Interactive Elements Matlab Final Exam And Answers
8. Staying Engaged with Matlab Final Exam And Answers
 - Joining Online Reading Communities
 - Participating in Virtual Book Clubs
 - Following Authors and Publishers Matlab Final Exam And Answers
9. Balancing eBooks and Physical Books Matlab Final Exam And Answers
 - Benefits of a Digital Library
 - Creating a Diverse Reading Collection Matlab Final Exam And Answers
10. Overcoming Reading Challenges
 - Dealing with Digital Eye Strain
 - Minimizing Distractions
 - Managing Screen Time
11. Cultivating a Reading Routine Matlab Final Exam And Answers
 - Setting Reading Goals Matlab Final Exam And Answers
 - Carving Out Dedicated Reading Time
12. Sourcing Reliable Information of Matlab Final Exam And Answers
 - Fact-Checking eBook Content of Matlab Final Exam And Answers
 - Distinguishing Credible Sources
13. Promoting Lifelong Learning

-
- Utilizing eBooks for Skill Development
 - Exploring Educational eBooks
14. Embracing eBook Trends
- Integration of Multimedia Elements
 - Interactive and Gamified eBooks

Matlab Final Exam And Answers Introduction

Matlab Final Exam And Answers Offers over 60,000 free eBooks, including many classics that are in the public domain. Open Library: Provides access to over 1 million free eBooks, including classic literature and contemporary works. Matlab Final Exam And Answers Offers a vast collection of books, some of which are available for free as PDF downloads, particularly older books in the public domain. Matlab Final Exam And Answers : This website hosts a vast collection of scientific articles, books, and textbooks. While it operates in a legal gray area due to copyright issues, its a popular resource for finding various publications. Internet Archive for Matlab Final Exam And Answers : Has an extensive collection of digital content, including books, articles, videos, and more. It has a massive library of free downloadable books. Free-eBooks Matlab Final Exam And Answers Offers a diverse range of free eBooks across various genres. Matlab Final Exam And Answers Focuses mainly on educational books, textbooks, and business books. It offers free PDF downloads for educational purposes. Matlab Final Exam And Answers Provides a large selection of free eBooks in different genres, which are available for download in various formats, including PDF. Finding specific Matlab Final Exam And Answers, especially related to Matlab Final Exam And Answers, might be challenging as theyre often artistic creations rather than practical blueprints. However, you can explore the following steps to search for or create your own Online Searches: Look for websites, forums, or blogs dedicated to Matlab Final Exam And Answers, Sometimes enthusiasts share their designs or concepts in PDF format. Books and Magazines Some Matlab Final Exam And Answers books or magazines might include. Look for these in online stores or libraries. Remember that while Matlab Final Exam And Answers, sharing copyrighted material without permission is not legal. Always ensure youre either creating your own or obtaining them from legitimate sources that allow sharing and downloading. Library Check if your local library offers eBook lending services. Many libraries have digital catalogs where you can borrow Matlab Final Exam And Answers eBooks for free, including popular titles. Online Retailers: Websites like Amazon, Google Books, or Apple Books often sell eBooks. Sometimes, authors or publishers offer promotions or free periods for certain books. Authors Website Occasionally, authors provide excerpts or short stories for free on their websites. While this might not be the Matlab Final Exam And Answers full book , it can give you a taste of the authors writing style. Subscription Services Platforms like Kindle Unlimited or Scribd offer subscription-based access to a wide range of Matlab Final Exam And Answers eBooks, including

some popular titles.

FAQs About Matlab Final Exam And Answers Books

How do I know which eBook platform is the best for me? Finding the best eBook platform depends on your reading preferences and device compatibility. Research different platforms, read user reviews, and explore their features before making a choice. Are free eBooks of good quality? Yes, many reputable platforms offer high-quality free eBooks, including classics and public domain works. However, make sure to verify the source to ensure the eBook credibility. Can I read eBooks without an eReader? Absolutely! Most eBook platforms offer webbased readers or mobile apps that allow you to read eBooks on your computer, tablet, or smartphone. How do I avoid digital eye strain while reading eBooks? To prevent digital eye strain, take regular breaks, adjust the font size and background color, and ensure proper lighting while reading eBooks. What the advantage of interactive eBooks? Interactive eBooks incorporate multimedia elements, quizzes, and activities, enhancing the reader engagement and providing a more immersive learning experience. Matlab Final Exam And Answers is one of the best book in our library for free trial. We provide copy of Matlab Final Exam And Answers in digital format, so the resources that you find are reliable. There are also many Ebooks of related with Matlab Final Exam And Answers. Where to download Matlab Final Exam And Answers online for free? Are you looking for Matlab Final Exam And Answers PDF? This is definitely going to save you time and cash in something you should think about. If you trying to find then search around for online. Without a doubt there are numerous these available and many of them have the freedom. However without doubt you receive whatever you purchase. An alternate way to get ideas is always to check another Matlab Final Exam And Answers. This method for see exactly what may be included and adopt these ideas to your book. This site will almost certainly help you save time and effort, money and stress. If you are looking for free books then you really should consider finding to assist you try this. Several of Matlab Final Exam And Answers are for sale to free while some are payable. If you arent sure if the books you would like to download works with for usage along with your computer, it is possible to download free trials. The free guides make it easy for someone to free access online library for download books to your device. You can get free download on free trial for lots of books categories. Our library is the biggest of these that have literally hundreds of thousands of different products categories represented. You will also see that there are specific sites catered to different product types or categories, brands or niches related with Matlab Final Exam And Answers. So depending on what exactly you are searching, you will be able to choose e books to suit your own need. Need to access completely for Campbell Biology Seventh Edition book? Access Ebook without any digging. And by having access to our ebook online or by storing it on your computer, you have convenient answers with Matlab Final Exam And Answers To get started finding Matlab Final Exam And Answers, you

are right to find our website which has a comprehensive collection of books online. Our library is the biggest of these that have literally hundreds of thousands of different products represented. You will also see that there are specific sites catered to different categories or niches related with Matlab Final Exam And Answers So depending on what exactly you are searching, you will be able to choose ebook to suit your own need. Thank you for reading Matlab Final Exam And Answers. Maybe you have knowledge that, people have search numerous times for their favorite readings like this Matlab Final Exam And Answers, but end up in harmful downloads. Rather than reading a good book with a cup of coffee in the afternoon, instead they juggled with some harmful bugs inside their laptop. Matlab Final Exam And Answers is available in our book collection an online access to it is set as public so you can download it instantly. Our digital library spans in multiple locations, allowing you to get the most less latency time to download any of our books like this one. Merely said, Matlab Final Exam And Answers is universally compatible with any devices to read.

Find Matlab Final Exam And Answers :

24-2866 wearable technology strategies for creators 24-521 wearable for creators 24-2818 mobile app ideas tutorial for entrepreneurs 24-2317 ideas guide for small business 24-1664 passive income ideas guide for States 24-1727 home organization examples United States 24-1942 home review for entrepreneurs 24-2418 cloud computing review for States 24-1621 startup funding tips for entrepreneurs 24-2205 startup America 24-1511 freelancing online review USA 24-2915 freelancing online step by step USA 24-1593 crypto trading step by step USA 24-172 crypto entrepreneurs 24-1576 chatbot development case study America 24-1464 24-806 chatbot development tools USA 24-1645 chatbot development tools practices America 24-47 travel tips best practices United States 24-1323 trends for startups 24-607 SEO strategy tutorial for entrepreneurs United States 24-2669 cybersecurity tools for creators 24-401 for entrepreneurs 24-2648 crypto trading review for small business by step for entrepreneurs 24-1514 weight loss strategies for creators

Matlab Final Exam And Answers :

transmath 2de livre de l élève 9782091726366 Éditions nathan - Jan 01 2022

nathan enseignants manuel scolaire livre scolaire livre du - Nov 11 2022

web mathématiques groupements b c et d bts industriels 1 ère et 2 e années ce site regroupe les ouvrages nathan technique demathématiques bts et propose aux

transmath 2de manuel numérique élève - May 17 2023

web cet espace vous propose un accès gratuit et sécurisé de nombreuses ressources pédagogiques pour vous accompagner dans la préparation de vos cours manuels

mathématiques bac pro 2de collection spirales nathan - Jul 07 2022

web plus de 1 500 exercices de niveaux variés un cours clair et précis présentant les démonstrations avec détails et méthodes une place importante accordée à la méthode

mathématiques bts Éditions nathan - May 05 2022

web une maquette aérée et moderne avec de nombreuses infographies des cours accessibles écrits pour les élèves et accompagnés d un schéma de synthèse pour offrir à chaque

s e s 2de livre de l élève 9782091725970 Éditions nathan - Oct 30 2021

nathan mathématiques secondes wef tamu edu - Mar 03 2022

mathématiques lycée collection hyperbole site compagnon - Jul 19 2023

web mes fiches pour le bac mathématiques 2de des fiches détachables pour réviser les mathématiques en classe de 2de des fiches détachables pour réviser des quiz pour

nathan mathématiques secondes - Apr 04 2022

transmath 2de 2019 site compagnon Éditions - Jun 18 2023

web toutes les matières de la 2de pour une année scolaire 100 gagnante un ouvrage complet avec pour chaque notion retenir tous les cours bien expliqués avec du

mon coach 2de toutes les matières seconde 2023 2024 nathan - Dec 12 2022

web catégories ce site compagnon réservé aux enseignants présente l ouvrage nathan technique mathématiques bac pro 2de collection spirale et propose gratuitement de

mathématiques bac pro 2de collection spirale Éditions nathan - Jun 06 2022

web disponible ce manuel de mathématiques en 2de professionnelle bac pro est composé de séances d'activités d'exercices de démarches d'investigation ou de pratiques de l'oral

livres scolaires lycée éditions nathan - Feb 14 2023

web découvrez et testez vos manuels numériques pour le lycée général technologique professionnel et les bts

programme 2023 2024 mes fiches pour le bac 2de nathan - Mar 15 2023

web ma compil de fiches pour le bac 2de français histoire géographie maths svt physique chimie anglais ses des fiches détachables pour réviser toutes les matières en classe

hyperbole 2de livre de l'élève 9782091729053 - Aug 20 2023

web le site de la collection hyperbole présente les manuels scolaires nathan en mathématiques pour le lycée 2de 1re terminale et propose aux enseignants des ressources

lycée mathématiques nathan - Sep 21 2023

web 2 de 27 1 re 32 terminale 37 affichage résultats simplifiés en cochant décochant cette case vous pouvez afficher la sélection la plus pertinente ou bien la totalité des produits

manuel mathématiques 2de lelivrescolaire fr - Oct 10 2022

web 2 nathan mathématiques secondes 2022 10 14 comprehensive coverage of everyday applications of essential math skills from making change to understanding sport

découvrez et testez votre manuel numérique Éditions nathan - Aug 08 2022

web pdf exercices corrigés maths seconde nathan pdf livre du professeur éditions hatier les exercices de la rubrique À mon tour sont corrigés en fin de manuel p 383

mathématiques 2de bac pro Édition 2019 nathan enseignants - Nov 30 2021

télécharger exercices corrigés maths seconde nathan pdf prof - Feb 02 2022

transmath 2de 2019 site ressources élève Éditions - Apr 16 2023

web retrouvez documents leçons et exercices interactifs du manuel mathématiques 2de

hyperbole 2de 2019 site compagnon Éditions - Jan 13 2023

web le site élève de l'ouvrage mathématiques bac pro 2 de collection spirales ed 2019 des ressources gratuites à télécharger pour l'élève exercices et activités carte

toutes les matières seconde ma compil fiches bac nathan - Sep 09 2022

web nathan mathematiques secondes 1 nathan mathematiques secondes recognizing the pretentiousness ways to get this book nathan mathematiques secondes is additionally

natural resources and solid minerals in nigeria and their - Jul 17 2023

our country depend on the vast wealth of resources waiting just underneath the surface of the planet therefore mineral resources has see more

list of mineral resources in nigeria and their location - Oct 08 2022

kindly say the mineral resources found in nigeria porcelan pdf is universally compatible with any devices to read natural resources and economic development edward b barbier 2019

materials to product potentials for sustainable - Mar 13 2023

solid minerals are divided into the following energy minerals coal lignite atomic minerals major industrial metals base metals ferrous metals specialist metals tin wolfram tantalum

mineral resources in nigeria their locations thenigerianinfo - Sep 07 2022

we manage to pay for mineral resources found in nigeria porcelan and numerous books collections from fictions to scientific research in any way along with them is this mineral

mineral resources found in nigeria porcelan 2022 logb fonedog - Nov 28 2021

mineral resources found in nigeria porcelan - Oct 28 2021

20 mineral resources in nigeria and their location - Sep 19 2023

mineral resources are essential natural occurring materials or commodity found on or in the earth in such small amounts which are mined for their potential uses or their intrinsic values mineral resources in nigeria are extremely available because there are many ways of classifying them the following see more

nigeria s 44 solid minerals found in 500 locations in commercial - Jun 04 2022

jun 1 2022 locations of solid minerals in nigeria 1 abia salt oil gas limestone zinc lead zinc 2 abuja cassiterite dolomitpageslay gold leagemstonetantalite and marble 3

base and precious metals development in nigeria - Dec 10 2022

according to the geological survey of nigeria agency nigeria has some 34 known major mineral deposits across the country exploration of solid minerals like tin niobium lead zinc

mineral resources found in nigeria porcelan 2022 - Dec 30 2021

the solid mineral sector mineral production statistics mining and potential targets for mineral exploration there are twenty

chapters in the book divided into five parts part 1 geological
natural resources in nigeria and their location - May 03 2022

jan 1 2011 the metallic minerals found in nigeria include iron ore with over 3 billion metric tones ferro alloy minerals
manganese vanadium nickel chromite columbite molyb

geology and mineral resources of nigeria - Jun 16 2023

here is the list of some states with the highest number of mineral resources in nigeria kudos to you if your state is among in
the list 1 mineral resources found in plateau see more

dr hassan proposes solutions to challenges of solid mineral - Jan 31 2022

and mineral resource development in nigeria groundwater and mineral resources of nigeria prescott books nigeria is a vast
country with considerable wealth in natural resources this

mineralresourcesfoundinnigeriaporcelan - Aug 18 2023

here is the list of the most frequent mineral resources in nigeria and the states where they usually can be found see more

geology of nigeria wikipedia - Nov 09 2022

dec 12 2019 5 talc talc is also one of the major mineral resources in nigeria it is found in states like kogi kaduna niger ekiti
nasarawa osun oyo and yobe states it is soft mineral

overview of nigeria s mineral resources in the context of africa s - Feb 12 2023

will conduct a comparative analysis of nigeria s mineral resources vis a vis africa s mineral wealth and propose pathways
forward for the realization of nigeria s maximum mineral

a review of nigerian metallic minerals for technological - Mar 01 2022

mineral resources found in nigeria porcelan but stop stirring in harmful downloads rather than enjoying a good book in the
manner of a cup of coffee in the afternoon on the other

mineral resources found in nigeria porcelan - Jul 05 2022

sep 11 2023 nigeria has large deposits of phosphate rocks in sokoto abia ogun edo and imo states phosphate deposits are
extensive in four sedimentary basins in nigeria the

mineral resources found in nigeria porcelan pdf willowwoodco - Aug 06 2022

these are industrial minerals such as barite kaolin gypsum feldspar and limestone energy minerals such as bitumen lignite
and uranium metallic ore minerals such as gold

nigeria an economic analysis of natural resources - Apr 14 2023

this report firstly presents an analysis of the nigerian economy as the environment within which the solid minerals sector is
situated it discusses the economy in terms of its distinguishing

[nigeria resources power economy britannica](#) - Jan 11 2023

abstract nigeria is endowed with enormous mineral occurrences and deposits these include base and precious metals minerals which have remained largely under developed due to

solid minerals uses locations in nigeria naturenews africa - Apr 02 2022

Jul 3 2022 Dr Hassan noted that Niger State has abundant mineral resources and rocks in virtually all the local government areas of the state metallic minerals include lead zinc ore

map showing mineral occurrences in nigeria - May 15 2023

companies who are interested or involved in economic geology mineral exploration and mineral resource development in Nigeria reports from the consuls of the United States varies

uninterruptible power supplies emerson - Mar 10 2023

web both models offer 208 120 V or 240 120 V configurable as a tower or rack mounting highest density 6 kVA in only 4U and 10 kVA in only 6U of rack space easily installed in 18 to 32 deep rack using rack mount kit SRS1832 user replaceable hot swappable internal battery module extended battery cabinets

products uninterruptible power systems emerson - Apr 11 2023

web see all results home automation solutions electrical components and lighting power quality and distribution power protection uninterruptible power systems

emerson ups sice 120 kva pdf uniport edu - Dec 27 2021

web Aug 19 2023 emerson ups sice 120 kVA 1 1 downloaded from uniport.edu.ng on August 19 2023 by guest emerson ups sice 120 kVA eventually you will extremely discover an additional experience and talent by spending more cash still when complete you say yes that you require to acquire those all needs following having significantly cash

emerson ups sice 120 kva pdf full pdf support ortax - Jan 28 2022

web encyclopedic volume replaces an entire library with one authoritative reference the fourth edition brings the content of the previous editions completely up to date incorporates the developments of the last decade and broadens the horizons of the work from an American to a global perspective Béla G. Lipták speaks on post oil

[emerson liebert nx 120kva manuals manualslib](#) - Jul 14 2023

web emerson liebert nx 120kVA manuals manuals and user guides for emerson liebert nx 120kVA we have 1 emerson liebert nx 120kVA manual available for free pdf download user manual

emerson emerson 160 200 300 400kva users manual hipulse - Sep 04 2022

web output system connections hipulse U UPS single module and 1 N expandable 160 200 300 400kVA user manual f18

chapter 3 electrical installation 6 connect the system output cables between the output busbars N3 U3 V3 W3 terminals and

the critical load and tighten the connections to 13 nm m8 bolt to 26 nm m10 bolt and to 50 nm

[emerson liebert nx 120 kva manuals manualslib](#) - Aug 15 2023

web emerson liebert nx 120 kva user manual 132 pages 50 and 60 hz 30 200kva 400v ups systems brand emerson category ups size 7 02 mb table of contents

120 kva ups upson cyclone 120 kva kesintisiz güç kaynağı - Feb 09 2023

web 120 kva ups 120 kva kesintisiz güç kaynağı fiyatları upson cyclone model 120 kva ups fiyatı online 120 kva ups teknik özellikleri

emerson ups emerson ups system latest price dealers - Aug 03 2022

web find here emerson ups emerson ups system dealers retailers stores distributors get latest prices models wholesale prices for buying emerson ups indiamart

s5kc modular series on line uninterruptible power systems ups emerson - Nov 06 2022

web designed to be fully configured tested and shipped in the configuration you need the s5kc modular ups also has the ability to be easily upgraded in the field to either higher va ratings up to 20 kva maximum longer back up time or to add n x parallel redundancy

uninterruptible power supplies emerson - Jun 13 2023

web s5kc c 12 bay 5 15 kva 1ph xfmr based 200 240 vac input 200 100 240 120 vac output s5kc d 16 bay 5 20 kva 1ph xfmr based 200 240 vac input 200 100 240 120 vac output s5kc e 10 bay 5 15 kva 2ph xfmr free 200 100 240 120 vac input output s5kc f 16 bay 5 20 kva 2ph xfmr free 200 100 240 120 vac input output solahd

[emerson liebert hipulse u 120kva three phase online ups](#) - Jul 02 2022

web namrata power systems offering emerson liebert hipulse u 120kva three phase online ups emerson online ups at rs 1090000 piece in pune maharashtra get contact number of verified dealers of three phase online ups id 23741408362

emerson ups sice 120 kva pdf 2023 black ortax - Feb 26 2022

web emerson ups sice 120 kva pdf introduction emerson ups sice 120 kva pdf 2023 title emerson ups sice 120 kva pdf 2023 black ortax org created date 9 1 2023 3 20 05 am

emerson ups sice 120 kva pdf dev clearwatersystems - Apr 30 2022

web emerson ups sice 120 kva is available in our digital library an online access to it is set as public so you can download it instantly our book servers spans in multiple countries allowing you to get the most less latency time to download any of our books like this one kindly say the emerson ups sice 120 kva is universally compatible with

[emerson liebert nx 120kva ups sulekha](#) - Oct 05 2022

web emerson liebert nx 120kva ups get emerson liebert nx 120kva ups specification features photos reviews latest coupons

offers buy emerson liebert nx 120kva ups online with free shipping offline stores in india on sulekha ups

emerson kesintisiz güç kaynakları ups fiyatları cimri com - May 12 2023

web 19 mart 2023 tarihinde cimri com da yer alan 8 emerson kesintisiz güç kaynakları ups modeli içerisinde en ucuz emerson kesintisiz güç kaynakları ups fiyatı 1723 5 tl iken en yüksek emerson kesintisiz güç kaynakları ups fiyatı 8950 0 tl *120 kva ups 3 faz giriş 3 faz Çıkışlı Özellik ve fiyatları fcm* - Jan 08 2023

web 10kva ile 300kva aralığında üretilen trafosuz ups sistemlerimiz hakkında detaylı bilgi için bizimle iletişime geçiniz kampanyalı fiyatlar stok fazlası ürünler hakkında bilgi alın 3 faz giriş 3 faz çıkış 120 kva kgk teknik özellikler 1 598 kb

uninterruptible power supplies emerson - Dec 07 2022

web s4k5u 5c 6 kva international on line ups visit our website at emerson com or contact technical services at 800 377 4384 with any questions hardwired for use up to 30 amp input s4k2u c 120 vac and s4k2u 5c 230 vac 700 3000 va models were applicable s4k5u6k5c 6000 va 230 vac

emerson ups sice 120 kva old cosmc org - Mar 30 2022

web emerson ups sice 120 kva 1 emerson ups sice 120 kva computer communications decisions style manual newnes electrical power engineer s handbook computers communications in africa mastering your phd electrical electronics abstracts ibm flex system p260 and p460 planning and implementation guide

emerson 10 kva brochure pdf download manualslib - Jun 01 2022

web view and download emerson 10 kva brochure online liebert gxt2 series 6 10 kvarack tower configurable ups for network protection 10 kva ups pdf manual download also for 6 kva liebert gxt2 6000rt208 liebert gxt2 10000rt208