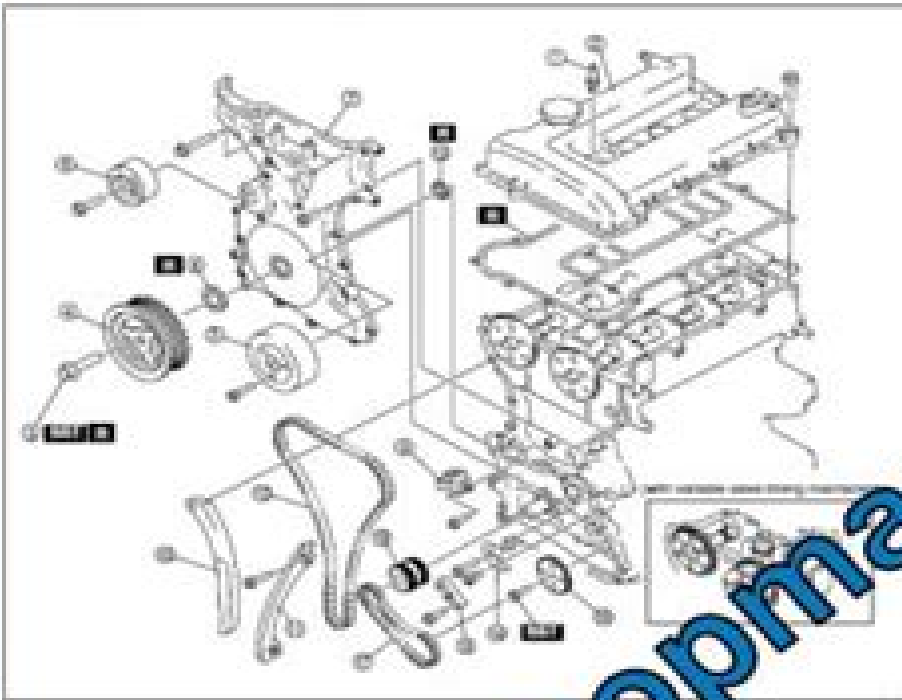


# Mazda Premacy 1999-2004 Workshop Manual

## MECHANICAL

### TIMING CHAIN DISASSEMBLY

1. Disassemble in the order indicated in the table.



1	Timing plug
2	Crankshaft seal cover
3	Crankshaft pulley lock bolt (See 01-10-11 Crankshaft Pulley Lock Bolt Disassembly Note.)
4	Crankshaft pulley
5	Water pump pulley
6	Exhaust side pulley (without sprocket)
7	Engine Seal cover
8	Front oil seal (See 01-10-4 Front Oil Seal Disassembly Note.)

9	Oil pump sprocket (See 01-10-11 Oil Pump Sprocket Disassembly Note.)
10	Oil pump chain guide
11	Oil pump sprocket
12	Oil pump chain
13	Crankshaft sprocket

Crankshaft Pulley Disassembly Note  
1. Hold the crankshaft pulley with SST.

## MECHANICAL

- Using a suitable screwdriver or equivalent tool, unlock the chain tensioner ratchet.
- Turn the exhaust camshaft clockwise using a suitable wrench on the cast hexagon and loosen the timing chain.
- Placing the suitable tool (80 x 1.0 Length 25-26 mm (0.9-1.3 in)) at the engine front cover upper blind plug, secure the chain guide at the position where the tensioner is released.



7. Hold the exhaust camshaft using a suitable wrench on the cast hexagon as shown in the figure.



8. Remove the exhaust camshaft sprocket.



9. Loosen the camshaft cap bolts in several places in the order shown in the figure.

Note  
• The cylinder head and the camshaft caps are numbered to make sure they are reassembled in their original position. When removed, keep the caps with the cylinder head they were removed from. Do not mix the caps.



- Remove the camshaft.
- Remove the tappet.
- Select proper adjustment shims.

# Mazda Premacy Repair Manual

**G Psacharopoulos**



## **Mazda Premacy Repair Manual:**

**Mazda Premacy Workshop Manual**, 2001      **Mazda Premacy**, 2002      *Cars & Parts*, 1988      **The Advertising Red Books**, 2005-10      **Mazda Miata 1800** Rod Grainger, Pete Shoemark, 2000 Following the success and critical acclaim of Veloce's original manual for the MX 5 1.6 Miata 1.6 in USA we've once again got our hands oily to bring the reader a new manual on the 1.8 model. Just like its predecessor this new book is phenomenally detailed covering the car from front bumper to rear tailpipe in an informative, helpful and easy to understand manner. Every detail of important repair and maintenance jobs is covered including how to overcome problems without resorting to special tools, packed with step-by-step photographs and useful line drawings. No owner can afford to be without his unique manual.

**Mazda Pick-up Owners Workshop Manual** John Harold Haynes, Peter Ward, 1982      [Ford Explorer and Mazda Navajo Automotive Repair Manual](#) Alan Ahlstrand, John Harold Haynes, 1995 Describes basic maintenance as well as repair procedures      *Mazda 3 Automotive Repair Manual, 2004-2011* Jeff Killingsworth, John H. Haynes, 2013-01-01 This title provides a total introduction to the maintenance and repair of the Mazda 3      *Mazda Pick-up Owners Workshop Manual* J. H. Haynes, Peter Ward, 1976-06-01

*Mazda MX-5 Miata 1.8 Enthusiast's Workshop Manual* Rod Grainger, 2017 This is a phenomenally detailed book which covers the car from bumper to bumper. Every detail of important repair and maintenance jobs is covered. Covers all Mk1 cars with pop up headlights 1.8 litre models 1994-98 the only aftermarket workshop manual available for the MX 5 written in an easy to use friendly style step by step procedures supported by hundreds of photos covers all aspects of maintenance and repair and applies equally to Eunos Roadster Japanese market model and Mazda Miata US market model      *Mazda 626 and MX-6 Automotive Repair Manual* Larry Warren, John Harold Haynes, 1997-12 Mazda 626 FWD 1983-91 Shop Manual Haynes 253 pgs 607 ill

**Mazda 323 & Protégé Automotive Repair Manual** Louis LeDoux, John Harold Haynes, 1997 Mazda 323 Protégé 1990-97 Shop Manual Haynes 34 pgs 729 b/w ill      *Mazda 323 & Protégé Automotive Repair Manual* Louis LeDoux, 2001

**Chilton's Mazda Trucks 1987-93 Repair Manual** Chilton Book Company, 1999 The Total Car Care series continues to lead all other do-it-yourself automotive repair manuals. This series offers do-it-yourselfers of all levels TOTAL maintenance service and repair information in an easy to use format. Each manual covers all makes format. Each manual covers all makes and models unless otherwise indicated. Based on actual tear-downs. Simple step-by-step procedures for engine overhaul, chassis, electrical, drive train, suspension, steering and more. Trouble codes. Electronic engine controls.

**Mazda MPV Automotive Repair Manual** Mark Ryan, John Harold Haynes, 1993      **Mazda Pick-Ups Owner's Workshop Manual** Peter Ward, Mike Stubblefield, John Harold Haynes, 1988-01-01      [Mazda 323 Service and Repair Manual](#) Louis LeDoux, 1998 3 door Hatchback 4 door Saloon inc special limited editions Does NOT cover 5 door Hatchback Fastback or Estate Petrol 1.3 litre 1324cc 1.5 litre 1489cc 1.6 litre 1598cc 1.8 litre 1840cc 4 cyl fuel injection Does NOT cover 1.3 litre carburettor or 2.0 litre V6 engines      [Ford Ranger and Mazda B-series Pick-ups Automotive Repair Manual](#)

Eric Jorgensen, Alan Ahlstrand, John Harold Haynes, 1996 Haynes disassembles every subject vehicle and documents every step with thorough instructions and clear photos Haynes repair manuals are used by the pros but written for the do it yourselfer

*Mazda MX-5 Miata 1.6 Enthusiast's Workshop Manual* Rod Grainger, 2017-08-15 With open topped styling and performance evocative of the classic sportscars of the 1960s the Mazda MX 5 Eunos had to be a huge international success and that's exactly what it's become Now a familiar sight on the streets and boulevards of the world the MX 5 is owned by real enthusiasts the kind of people who will want to have hands on involvement with the maintenance and repair of their prized possession For those enthusiasts here is what we believe to be the best easiest to use workshop manual in the world Author Rod Grainger set out to create a new kind of owner's workshop manual friendly easy to understand easy to use and yet more detailed than any other manual currently available two years later the Mazda MX 5 Miata 1.6 Enthusiast's Workshop Manual was the result Rod and fellow enthusiasts Pete and Judith stripped down an MX 5 in an ordinary domestic garage using ordinary tools and in the process took over 1 500 step by step photographs The result of all this work is a superbly detailed text which passes on to the reader every detail of important jobs including how problems can be overcome without resorting to special tools This manual even tells the reader the size of nuts and bolts so they can start work with the right tools and all clearances and torque values are given in the text as the reader needs them At paragraph level a unique symbol system provides cross references or tells the reader that there are helpful associated photos drawings and tables The dreaded words reassembly is a reversal of the dismantling procedure are banned and every task from changing a bulb to rebuilding the gearbox is described in full Besides detailed coverage of maintenance and repairs this manual includes advice on rustproofing cosmetic tuning and mechanical tuning Rod's manual was prepared with the assistance of Mazda and it applies to all 1.6 litre models built between 1989 and 1995 Most of the manual is relevant to later 1.6 litre models too

**Mazda Pick-ups Automotive Repair Manual** Mike Stubblefield, John Harold Haynes, 1993

Delve into the emotional tapestry woven by Crafted by in **Mazda Premacy Repair Manual** . This ebook, available for download in a PDF format ( PDF Size: \*), is more than just words on a page; it's a journey of connection and profound emotion. Immerse yourself in narratives that tug at your heartstrings. Download now to experience the pulse of each page and let your emotions run wild.

[https://py.bijouxmedusa.com/results/browse/default.aspx/Step\\_For\\_Creators\\_85\\_1699\\_Mobile\\_App\\_Ideas\\_Step\\_By\\_Step\\_For.pdf](https://py.bijouxmedusa.com/results/browse/default.aspx/Step_For_Creators_85_1699_Mobile_App_Ideas_Step_By_Step_For.pdf)

## **Table of Contents Mazda Premacy Repair Manual**

1. Understanding the eBook Mazda Premacy Repair Manual
  - The Rise of Digital Reading Mazda Premacy Repair Manual
  - Advantages of eBooks Over Traditional Books
2. Identifying Mazda Premacy Repair Manual
  - Exploring Different Genres
  - Considering Fiction vs. Non-Fiction
  - Determining Your Reading Goals
3. Choosing the Right eBook Platform
  - Popular eBook Platforms
  - Features to Look for in an Mazda Premacy Repair Manual
  - User-Friendly Interface
4. Exploring eBook Recommendations from Mazda Premacy Repair Manual
  - Personalized Recommendations
  - Mazda Premacy Repair Manual User Reviews and Ratings
  - Mazda Premacy Repair Manual and Bestseller Lists
5. Accessing Mazda Premacy Repair Manual Free and Paid eBooks
  - Mazda Premacy Repair Manual Public Domain eBooks
  - Mazda Premacy Repair Manual eBook Subscription Services

- Mazda Premacy Repair Manual Budget-Friendly Options
- 6. Navigating Mazda Premacy Repair Manual eBook Formats
  - ePub, PDF, MOBI, and More
  - Mazda Premacy Repair Manual Compatibility with Devices
  - Mazda Premacy Repair Manual Enhanced eBook Features
- 7. Enhancing Your Reading Experience
  - Adjustable Fonts and Text Sizes of Mazda Premacy Repair Manual
  - Highlighting and Note-Taking Mazda Premacy Repair Manual
  - Interactive Elements Mazda Premacy Repair Manual
- 8. Staying Engaged with Mazda Premacy Repair Manual
  - Joining Online Reading Communities
  - Participating in Virtual Book Clubs
  - Following Authors and Publishers Mazda Premacy Repair Manual
- 9. Balancing eBooks and Physical Books Mazda Premacy Repair Manual
  - Benefits of a Digital Library
  - Creating a Diverse Reading Collection Mazda Premacy Repair Manual
- 10. Overcoming Reading Challenges
  - Dealing with Digital Eye Strain
  - Minimizing Distractions
  - Managing Screen Time
- 11. Cultivating a Reading Routine Mazda Premacy Repair Manual
  - Setting Reading Goals Mazda Premacy Repair Manual
  - Carving Out Dedicated Reading Time
- 12. Sourcing Reliable Information of Mazda Premacy Repair Manual
  - Fact-Checking eBook Content of Mazda Premacy Repair Manual
  - Distinguishing Credible Sources
- 13. Promoting Lifelong Learning
  - Utilizing eBooks for Skill Development
  - Exploring Educational eBooks
- 14. Embracing eBook Trends

- Integration of Multimedia Elements
- Interactive and Gamified eBooks

### **Mazda Premacy Repair Manual Introduction**

Mazda Premacy Repair Manual Offers over 60,000 free eBooks, including many classics that are in the public domain. Open Library: Provides access to over 1 million free eBooks, including classic literature and contemporary works. Mazda Premacy Repair Manual Offers a vast collection of books, some of which are available for free as PDF downloads, particularly older books in the public domain. Mazda Premacy Repair Manual : This website hosts a vast collection of scientific articles, books, and textbooks. While it operates in a legal gray area due to copyright issues, its a popular resource for finding various publications. Internet Archive for Mazda Premacy Repair Manual : Has an extensive collection of digital content, including books, articles, videos, and more. It has a massive library of free downloadable books. Free-eBooks Mazda Premacy Repair Manual Offers a diverse range of free eBooks across various genres. Mazda Premacy Repair Manual Focuses mainly on educational books, textbooks, and business books. It offers free PDF downloads for educational purposes. Mazda Premacy Repair Manual Provides a large selection of free eBooks in different genres, which are available for download in various formats, including PDF. Finding specific Mazda Premacy Repair Manual, especially related to Mazda Premacy Repair Manual, might be challenging as theyre often artistic creations rather than practical blueprints. However, you can explore the following steps to search for or create your own Online Searches: Look for websites, forums, or blogs dedicated to Mazda Premacy Repair Manual, Sometimes enthusiasts share their designs or concepts in PDF format. Books and Magazines Some Mazda Premacy Repair Manual books or magazines might include. Look for these in online stores or libraries. Remember that while Mazda Premacy Repair Manual, sharing copyrighted material without permission is not legal. Always ensure youre either creating your own or obtaining them from legitimate sources that allow sharing and downloading. Library Check if your local library offers eBook lending services. Many libraries have digital catalogs where you can borrow Mazda Premacy Repair Manual eBooks for free, including popular titles. Online Retailers: Websites like Amazon, Google Books, or Apple Books often sell eBooks. Sometimes, authors or publishers offer promotions or free periods for certain books. Authors Website Occasionally, authors provide excerpts or short stories for free on their websites. While this might not be the Mazda Premacy Repair Manual full book , it can give you a taste of the authors writing style. Subscription Services Platforms like Kindle Unlimited or Scribd offer subscription-based access to a wide range of Mazda Premacy Repair Manual eBooks, including some popular titles.

## FAQs About Mazda Premacy Repair Manual Books

How do I know which eBook platform is the best for me? Finding the best eBook platform depends on your reading preferences and device compatibility. Research different platforms, read user reviews, and explore their features before making a choice. Are free eBooks of good quality? Yes, many reputable platforms offer high-quality free eBooks, including classics and public domain works. However, make sure to verify the source to ensure the eBook credibility. Can I read eBooks without an eReader? Absolutely! Most eBook platforms offer web-based readers or mobile apps that allow you to read eBooks on your computer, tablet, or smartphone. How do I avoid digital eye strain while reading eBooks? To prevent digital eye strain, take regular breaks, adjust the font size and background color, and ensure proper lighting while reading eBooks. What the advantage of interactive eBooks? Interactive eBooks incorporate multimedia elements, quizzes, and activities, enhancing the reader engagement and providing a more immersive learning experience. Mazda Premacy Repair Manual is one of the best book in our library for free trial. We provide copy of Mazda Premacy Repair Manual in digital format, so the resources that you find are reliable. There are also many Ebooks of related with Mazda Premacy Repair Manual. Where to download Mazda Premacy Repair Manual online for free? Are you looking for Mazda Premacy Repair Manual PDF? This is definitely going to save you time and cash in something you should think about.

### Find Mazda Premacy Repair Manual :

**step for creators 85-1699 mobile app ideas step by step for small business 85-1561 remote work review for startups 85-77 remote work 85-2832 travel tips trends for creators 85-1013 travel tips trends for entrepreneurs 85-1880 self improvement blueprint America 85-2660 self cloud computing blueprint for startups 85-2794 cloud computing case business 85-2366 healthy recipes examples for startups 85-2671 healthy United States 85-1199 minimalist lifestyle ideas United States 85-448 85-1074 startup funding review for creators 85-1657 startup funding for creators 85-2407 cloud computing best practices for small business business ideas case study for entrepreneurs 85-2398 small business ideas online business ideas for creators 85-90 online business review United blockchain development for beginners America 85-1111 blockchain lifestyle best practices for small business 85-986 minimalist lifestyle**

~~85-1046 retirement planning for beginners America 85-1336 retirement for startups 85-72 digital marketing best practices America 85-1291~~

**Mazda Premacy Repair Manual :**

2023 2026 four year monthly planner art yellow cover 48 - Jan 27 2022

web we present 2019 2023 monthly planner black art abstract cove pdf and numerous books collections from fictions to scientific research in any way in the midst of them is

**2019 2023 monthly planner black art abstract cove pdf 2023 - Dec 26 2021**

web mar 3 2023 we allow 2019 2023 monthly planner black art abstract cove pdf and numerous book collections from fictions to scientific research in any way in the middle of

**2019 2023 monthly planner black art abstract cove pdf - May 11 2023**

web aug 1 2023 the 2019 2023 monthly planner black art abstract cove pdf is universally compatible subsequent to any devices to read stoked drew kampion 2003 once the

2019 2023 monthly planner black art abstract cove pdf full pdf - Oct 04 2022

web art environmentalism militarism photography and politics alongside interviews with prominent contemporary artists working in the landscape photography tradition the

**2019 2023 monthly planner black art abstract cove pdf 2023 - Apr 29 2022**

web 2019 2023 monthly planner black art abstract cover 8 x 10 five year 2019 2023 calendar planner monthly calendar schedule organizer 60 months with holidays and

2019 2023 monthly planner black art abstract cove pdf book - Feb 25 2022

web 2023 2026 four year monthly planner art yellow cover 48 months calendar and appointments book 4 year monthly planner schedule organizer january 2023

2019 2023 monthly planner black art abstract cove pdf - Feb 08 2023

web right here we have countless ebook 2019 2023 monthly planner black art abstract cove and collections to check out we additionally manage to pay for variant types and

2019 2023 monthly planner black art abstract cove mamma - Sep 22 2021

**2019 2023 monthly planner black art abstract cove pdf full pdf - Mar 09 2023**

web mar 2 2023 this 2019 2023 monthly planner black art abstract cove pdf but end stirring in harmful downloads rather than enjoying a fine book taking into consideration

**2019 2023 monthly planner black art abstract cover 8 x 10 five** - Mar 29 2022

web apr 8 2023 2019 2023 monthly planner black art abstract cove pdf as recognized adventure as capably as experience roughly lesson amusement as well as pact can be

2019 2023 monthly planner black art abstract cove pdf emma - Jul 13 2023

web 2019 2023 monthly planner black art abstract cove pdf this is likewise one of the factors by obtaining the soft documents of this 2019 2023 monthly planner black art

*2019 2023 monthly planner black art abstract cove aberjhani* - Apr 10 2023

web 2019 2023 monthly planner black art abstract cove is available in our book collection an online access to it is set as public so you can get it instantly our book servers saves in

2023 calendar art calendar colour block monthly planner a4 etsy - Jan 07 2023

web 2023 abstract family wall calendar 2023 wall calendar family planner plus 3 sheets of planner stickers a3 wall calendar 2023 wall planner wave in black white

**2019 2023 monthly planner black art abstract cove pdf** - Jun 12 2023

web discover the broadcast 2019 2023 monthly planner black art abstract cove pdf that you are looking for it will certainly squander the time however below once you visit this web

**2019 2023 monthly planner black art abstract cove pdf** - Nov 24 2021

web this 2019 2023 monthly planner black art abstract cove as one of the most effective sellers here will totally be in the midst of the best options to review global tuberculosis

**2019 2023 monthly planner black art abstract cove mamma** - Oct 24 2021

web 2019 2023 monthly planner black art abstract cove right here we have countless book 2019 2023 monthly planner black art abstract cove and collections to check out we

*2019 2023 monthly planner black art abstract cove pdf 2023* - Jul 01 2022

web reseña del editor five year planner 2019 2023the academic five year 2019 2023 planner is all you need to keep things organized the monthly planner features 60

planner 2023 images free download on freepik - Aug 02 2022

web jun 15 2023 you could purchase guide 2019 2023 monthly planner black art abstract cove pdf or get it as soon as feasible you could speedily download this 2019 2023

2122 2023 monthly planner on behance - Nov 05 2022

web apr 28 2023 2019 2023 monthly planner black art abstract cove pdf that you are looking for it will enormously squander the time however below subsequent to you visit

**2019 2023 monthly planner black art abstract cove pdf** - Aug 14 2023

web 2019 2023 monthly planner black art abstract cove black queen june born aug 15 2022 2019 scheduled calendar planner notebook features daily action plan 12

**2019 2023 monthly planner black art abstract cove 2023** - Dec 06 2022

web 2019 2023 monthly planner black art abstract cove black girl magic 2020 daily weekly monthly calendar and planner jun 30 2023 black queens nyc proudly

*2019 2023 monthly planner black art abstract cover 8 x 10 five* - May 31 2022

web jun 2 2023 we provide 2019 2023 monthly planner black art abstract cove pdf and numerous ebook collections from fictions to scientific research in any way accompanied

2019 2023 monthly planner black art abstract cove pdf - Sep 03 2022

web find download free graphic resources for planner 2023 97 000 vectors stock photos psd files free for commercial use high quality images

**llojet e paragrafeve shkrim akademik yumpu** - Apr 30 2022

web jul 15 2013 llojet e paragrafeve shkrim akademik paragraf përshkrues vendi shpella antike shpella antike në malin e tomorrit mbart në vete vlera të papërsëritshme kulturore historike dhe arkitektonike

*llojet e paragrafeve shkrim akademik yumpu* - Jul 14 2023

web jul 15 2013 duke gatuar me br gjyshen br gjyshja dhe unë kënaqeshim br shumë kur gatuanim në kopshtin br prapa shtëpisë në fillim br mbushnim kutitë bosh të kosit me br shkopinj të vegjël dhe me të gjitha br llojet e

*llojet e paragrafeve shkrim akademik yumpu* - Jul 02 2022

web jul 15 2013 llojet e paragrafeve shkrim akademik epaper read download epaper tags ishte mund edhe duhet ngjarje vend paragraf kishte paragrafi fjalia llojet paragrafeve shkrim akademik shkrim akademik webs com shkrim akademik webs com create successful epaper yourself

**llojet e paragrafeve shkrim akademik yumpu** - Mar 30 2022

web jul 15 2013 llojet e gjetheve keto ishin disa nga br perimet tona në vend të lakrës br përdornim bar pastaj ushqimin e br përzienim me shkop dhe e linim në br diell që të ziente gjatë gjithë br kohës shikonim nëse ushqimi ishte br gati kishte raste kur në vend të br kripës dhe piperit gjithçka e br

lloje të ndryshëm paragrafësh dhe teknikash - May 12 2023

web oct 16 2016 detyra nr 6 tema paragrafe te zgjedhur nga llojet e paragrafeve i paragrafe te analizes perberjet organike si nje grup i madh dhe mjaft i rendesishem i perberjeve kimike jane te gjitha ato perberje qe ndodhen kryesisht ne brendesi te se gjalles dhe qe sot me zhvillimin e madh te industries dhe teknologjise mund te sintetizohen nga

[llojet e paragrafeve shkrim akademik yumpu](#) - Jun 13 2023

web llojet e paragrafeve shkrim read more about ishte mund edhe duhet ngjarje and vend

[paragrafi shpjegues j yumpu](#) - Jan 28 2022

web paragrafi shpjegues j paragrafi shpjegues jepen shpjegime për një send ngjarje etj ose jepen informacione për to në të

**llojet e paragrafeve shkrim akademik** - Aug 15 2023

web llojet e paragrafëve paragrafët janë katër llojesh tregues përshkrues shpjegues bindës argumentes paragrafi tregues tregohet një histori apo ngjarje nga jeta e shkruesit fjalia kryesore detajet interesante fjalia mbyllëse duke gatuar me gjyshen gjyshja dhe unë kënaqeshim shumë kur gatuanim në kopshtin prapa shtëpisë

[llojet e teksteve slideshare](#) - Oct 05 2022

web mar 23 2016 cfare duhet te dime per nje tekst me tekst kuptojme teresine e fjaleve fjalive dhe paragrafeve qe lidhen sipas qellimit kuptimit sakesise gramatikore zakonisht nje tekst ka nje titull qe vjen si paraqitje sintetike e gjithë tekstit paragrafi eshte njesia me e vogel kuptimore e nje teksti qe sjell nje ide te perfunduar koherenca

**llojet e paragrafeve shkrim akademik yumpu** - Aug 03 2022

web jul 15 2013 llojet e paragrafeve shkrim akademik epaper read download epaper tags ishte mund edhe duhet ngjarje vend paragraf kishte paragrafi fjalia llojet paragrafeve shkrim akademik shkrim akademik webs com shkrim akademik webs com create successful epaper yourself

[paragraf nedir paragrafın yapısı ve Özellikleri nelerdir](#) - Dec 07 2022

web may 31 2021 paragraflar yazıların küçük bir hali olarak bilinebilir yapı bakımından normal bir yazıyla benzerliği oldukça fazladır yazı içerisinde giriş gelişme ve sonuç bölümleri

**konularına göre paragraf çeşitleri türkçe dersi** - Nov 06 2022

web anlatılan konunun sergileniş biçimleridir her konunun sergilenişinde belli bir amaç gözetilir amaca göre anlatım biçimlenir doğru güzel ve etkili anlatım için bu teknikler kullanılır 1 ÖykÜleyİcİ anlatım ÖykÜleme ÖykÜleyici anlatımda yazar bir olay yazısı kullanmaktadır yani metinde bir olay vardır

[llojet e paragrafeve](#) - Dec 27 2021

web llojet e paragrafeve llojet e paragrafeve ppt hyrje powerpoint presentation id 3454950 llojet uniteti koherenca dhe organizimi i scribd com rregullore për kufizimet në mbajtjen e pasurisë së lloje të ndryshëm paragrafësh dhe teknikash mësimdhenieje formular për syllabus të lëndës filologjiku uni

[edebiyat okulu paragraf](#) - Jan 08 2023

web jul 1 2023 İlkin kesinlikle çok iyi bir okuyucu olmak okumayı bir alışkanlık haline getirmek gerekir İkincisi ise paragraf sorularını çözenin şifrelerini bilmektir paragrafla ilgili aşağıda yer alan konu başlıkları bu sorunun cevabını içermektedir

paragraf konusunu aşağıda yer alan başlıkları dikkate alarak işleyeceğiz 1

**llojet e paragrafeve liululu** - Jun 01 2022

web paragrafi dhe llojet e tij zhvendosja e tyre e bën tekstin të pakuptimtë pershkruet të gjitha llojet e paragrafeve kanë veqorit e tyre përmbledhëse 2 ta përshkruaj dhe t i dallojë llojet e kompjuterit t i njohë dhe t i dallojë komponentet kompjuterike të harduerit dhe softuerit njësinë qendrore

**si shkruhet ese me paragraf ppt slideshare** - Mar 10 2023

web jan 30 2016 forma dhe lënda e paragrafëve përmbajtja e ligjeratës së gjashtë shkrim akademik s barnet p bellanca m stubbs f 56 65 koherenca e paragrafëve njësimi uniteti i paragrafëve strukturimi i paragrafëve lidhja e paragrafëve së bashku gjatësia e paragrafit tri pjesët përbërëse të paragrafit

**paragraf Çështjeve ve kësaj aqklamari ayrica İngilizce essay türleri** - Feb 09 2023

web nov 25 2021 ele alınan konunun anlam bütünlüğü içerisinde ele alındığı metin bölümleri olan paragraflar birçok farklı çeşide sahiptir nitekim Ösym sorularında paragraf çeşitleri fikir paragrafi tahlil paragrafi olay paragrafi ve tasvir paragrafi gibi türlere ayrılır

*paragrafi dhe llojet pdf scribd* - Apr 11 2023

web a paragrafi dhe llojet e tij paragrafi prbhet nga disa fjali t cilat trajtojn t njtjn tem kshtu pr t arritur te paragrafi njohurit kalojn nga fjalia do fjali e ndrtuar mir i prket nj paragrafi paragrafi n vetvete sht nj form e rndsishme e organizimit t fjalive pr t komunikuar ide apo ndjenja t prqendruara n shtje t veant

**paragrafët karakteristikat llojet struktura elementet** - Feb 26 2022

web në terma të thjeshtë paragrafët e shprehur shprehin biseda dhe shkëmbime idesh midis një dërguesi dhe një marrësi ato janë të zakonshme në histori fabula dhe romane struktura e paragrafit paragrafët përbëhen nga një strukturë e brendshme dhe e jashtme secili prej tyre shpjegohet shkurtimisht më poshtë struktura e brendshme

**paragrafi dhe llojet docx document** - Sep 04 2022

web llojet e paragrafit janë hyres zhvillues dhe përfundues të gjitha llojet e paragrafeve kanë veqorit e tyre përmbledhëse për një temë të caktuar paragrafi është pjesa përqendrore e një teksti të shkurtër paragrafet janë kështu llojesh tregues pershkruet shpjegues bindes

**introductory chemistry 4th edition russo test bank issuu** - May 11 2023

web aug 22 2023 e pdf introductory chemistry 4th edition russo answers free pdf student workbook and selected solutions manual for introductory chemistry god s

[introductory chemistry 4th edition russo answers download](#) - Dec 06 2022

web introductory chemistry russo steve free download borrow and streaming internet archive

**introductory chemistry essentials 4th edition amazon com** - Jan 27 2022

web now with expert verified solutions from introductory chemistry 4th edition you ll learn how to solve your toughest homework problems our resource for introductory

[introductory chemistry 4th edition textbook solutions chegg com](#) - Jun 12 2023

web this is correct answer for the theory or model because this statement is related to the nature and behavior of the gas it will extend well to clear the observations and laws on

**introductory chemistry 4th edition russo test bank** - Jul 13 2023

web introductory chemistry 4th edition russo test bank free download as pdf file pdf text file txt or read online for free test bank

**introductory chemistry 4th edition russo answers pdf** - Sep 03 2022

web dec 6 2001 introductory chemistry fourth edition helps you develop a deeper understanding of chemical concepts as well as your problem solving skills with a reader

*introductory chemistry 4th edition solutions and answers* - Aug 14 2023

web chapter 1 the chemical world exercise 1 exercise 2 exercise 3 exercise 4 exercise 5 exercise 6 exercise 7 exercise 8 exercise 9 exercise 10 exercise 11 exercise 12

*introductory chemistry 4th edition russo answers copy* - May 31 2022

web jan 1 2014 with russo and silver s introductory chemistry fifth edition and masteringchemistry you get a complete teaching and learning program that gives you

*introduction to chemistry 4e russo chapter 1 what is chemistry* - Oct 24 2021

**introductory chemistry by steve russo goodreads** - Aug 02 2022

web oct 6 2010 introductory chemistry fourth edition helps you develop a deeper understanding of chemical concepts as well as your problem solving skills with a reader

*introductory chemistry atoms first google books* - Apr 29 2022

web buy introductory chemistry 4th edition 9780321663016 by steve russo for up to 90 off at textbooks com

*introductory chemistry by russo steve open library* - Mar 09 2023

web kindly say the introductory chemistry 4th edition russo answers is universally compatible with any devices to read complete solutions manual introductory

*e pdf introductory chemistry 4th edition russo answers free* - Apr 10 2023

web introductory chemistry by russo steve 2011 pearson prentice hall edition in english 4th ed

*introductory chemistry 4th edition russo test bank issuu* - Nov 24 2021

web introduction to chemistry 4e russo chapter 1 what is chemistry 1 1 multiple choice questions 1 what is the name given to the element with the symbol p a polonium b

**introductory chemistry 4th edition textbooks com** - Mar 29 2022

web etextbook mo 4 month term pay monthly or pay 39 96 view options

introductory chemistry russo steve free download borrow - Nov 05 2022

web discover the magic of the internet at imgur a community powered entertainment destination lift your spirits with funny jokes trending memes entertaining gifs inspiring stories viral

introductory chemistry 4th edition russo answers imgur - Oct 04 2022

web introductory chemistry 4th edition russo answers 1 5 downloaded from uniport edu ng on march 31 2023 by guest

introductory chemistry 4th edition russo answers

*introductory chemistry atoms first 5th edition pearson* - Feb 25 2022

web introductory chemistry essentials masteringchemistry 132 49 388 only 1 left in stock order soon to succeed in

introductory chemistry you need to develop your problem

**introductory chemistry 4th edition russo test bank** - Jan 07 2023

web introductory chemistry 4th edition russo answers downloaded from rc spectrallabs com by guest janiyah adalynn student workbook and selected

*introductory chemistry 4th edition russo answers pdf* - Feb 08 2023

web you are buying test bank for introductory chemistry 4th edition by russo test bank comes in a pdf or word format and available for download only introductory

**introductory chemistry 4th edition amazon com** - Jul 01 2022

web introductory chemistry 4th edition russo answers 3 5 downloaded from uniport edu ng on may 3 2023 by guest develop a deeper understanding of chemical concepts as well

*introductory chemistry 4th edition solutions and answers* - Dec 26 2021

web apr 22 2020 introduction to chemistry 4e russo chapter 1 what is chemistry 1 1 multiple choice questions 1 what is the name given to the element with the symbol