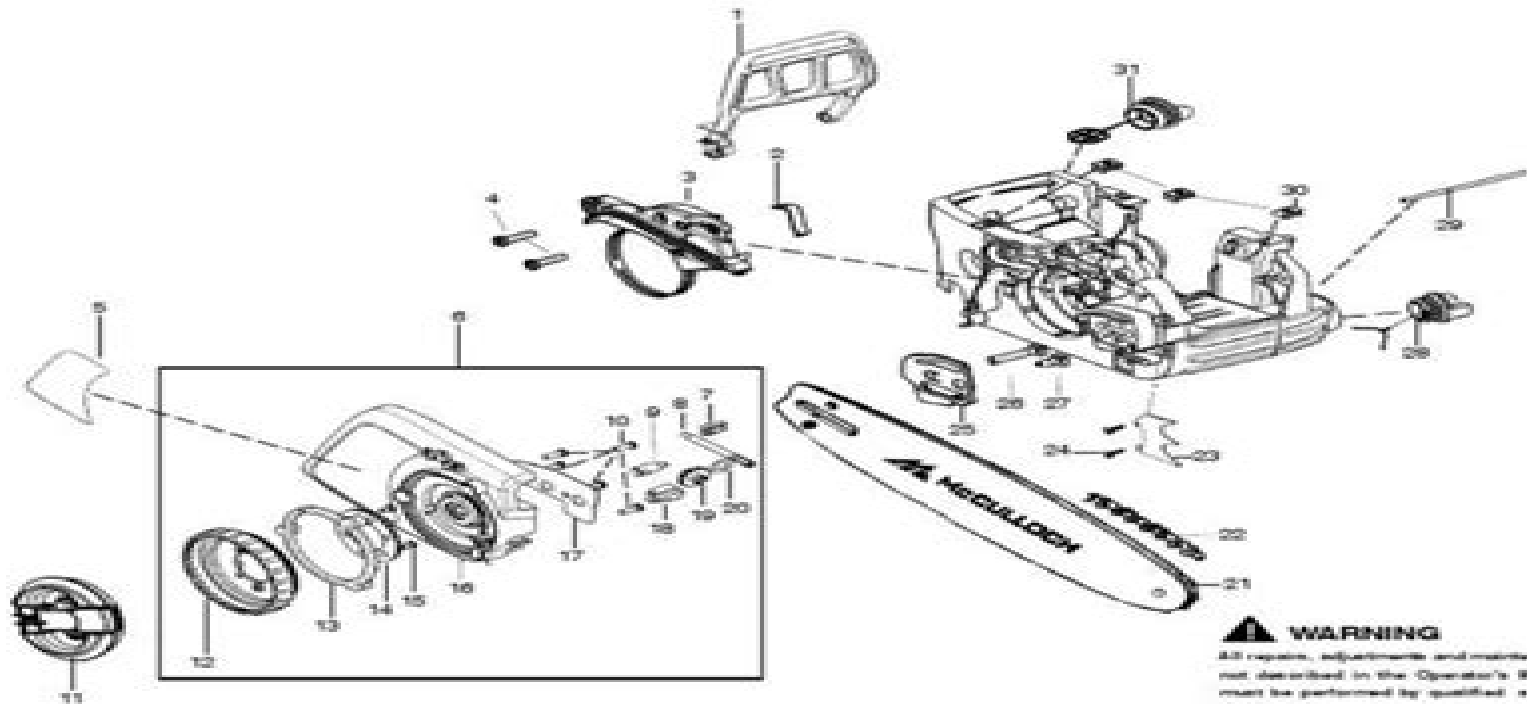


PARTS LIST NO. 580864501		 McCULLOCH PARTS LIST	CHAIN SAW MODEL# CS 360T
DATE 7/03/12	REV NEW		NOTE: Illustration may differ from actual model due to design changes.



WARNING
All repairs, adjustments and maintenance not described in the Operator's Manual must be performed by qualified service personnel.

Ref.	Part No.	Description	Ref.	Part No.	Description
1.	530057890	Handguard	25.	530057910	Plate- Bar
2.	530016416	Spring- Handguard	26.	572974101	Bolt- Bar
3.	530071893	Kit- Chainbrake	27.	572974001	Bolt- Tapered Bar
4.	530016432	Screw	28.	530057236	Assy- Oil Cap w/ret.
5.	580788201	Decal- Bl/C 360T	29.	530058796	Assy- Oil Vent
6.	577315002	Assy. - Clutch Cover (Incl.7,8,9,10,12,13,14,15,16,17,18,19,20)	30.	530015922	Nut- "U" type speed
7.	576617301	Clip- Spring	31.	577658901	Cap- Fuel with retainer
8.	505501001	Screw- Bar Adjust			
9.	505500901	Pin- Bar Adjust			
10.	574790301	Screw M3.63			
11.	577314401	Assy.- Knob Lever			
12.	505501803	Wheel- Knob Tensioning			
13.	5739011601	Ring- Ret. Knob			
14.	505501401	Gear- Ring Cover			
15.	572974201	Screw M3.5			
16.	505501501	Cover- Clutch			
17.	572972701	Plate- Gear Cover			
18.	572972801	Stopper- Bar Adjust Screw			
19.	505501201	Gear- Screw Adjuster			
20.	577149501	Washer- Spacer Brmm			
21.	580849001	Bar 16"			
22.	579578901	Chain 16" (91PX)			
23.	530014281	Kit- Spike (incl. 24)			
24.	530016439	Screw			

1* = NEW PART NUMBER FOR THIS SPL * = REFER TO THE SERVICE REFERENCE INDICATED FOR MORE INFORMATION (LOCATED AT END OF SPL)

Mcculloch Timber Bear Parts

H Kauffman



Mcculloch Timber Bear Parts:

Thank you for downloading **Mcculloch Timber Bear Parts**. As you may know, people have look numerous times for their chosen readings like this Mcculloch Timber Bear Parts, but end up in harmful downloads.

Rather than reading a good book with a cup of tea in the afternoon, instead they are facing with some harmful bugs inside their desktop computer.

Mcculloch Timber Bear Parts is available in our digital library an online access to it is set as public so you can get it instantly. Our digital library hosts in multiple countries, allowing you to get the most less latency time to download any of our books like this one.

Merely said, the Mcculloch Timber Bear Parts is universally compatible with any devices to read

https://py.bijouxmedusa.com/About/book-search/fetch.php/States_70_1040_Parenting_Tips_Roadmap_United_States_70_740_Parenting.pdf

Table of Contents Mcculloch Timber Bear Parts

1. Understanding the eBook Mcculloch Timber Bear Parts
 - The Rise of Digital Reading Mcculloch Timber Bear Parts
 - Advantages of eBooks Over Traditional Books
2. Identifying Mcculloch Timber Bear Parts
 - Exploring Different Genres
 - Considering Fiction vs. Non-Fiction
 - Determining Your Reading Goals
3. Choosing the Right eBook Platform
 - Popular eBook Platforms
 - Features to Look for in an Mcculloch Timber Bear Parts
 - User-Friendly Interface
4. Exploring eBook Recommendations from Mcculloch Timber Bear Parts
 - Personalized Recommendations

- Mcculloch Timber Bear Parts User Reviews and Ratings
- Mcculloch Timber Bear Parts and Bestseller Lists
- 5. Accessing Mcculloch Timber Bear Parts Free and Paid eBooks
 - Mcculloch Timber Bear Parts Public Domain eBooks
 - Mcculloch Timber Bear Parts eBook Subscription Services
 - Mcculloch Timber Bear Parts Budget-Friendly Options
- 6. Navigating Mcculloch Timber Bear Parts eBook Formats
 - ePub, PDF, MOBI, and More
 - Mcculloch Timber Bear Parts Compatibility with Devices
 - Mcculloch Timber Bear Parts Enhanced eBook Features
- 7. Enhancing Your Reading Experience
 - Adjustable Fonts and Text Sizes of Mcculloch Timber Bear Parts
 - Highlighting and Note-Taking Mcculloch Timber Bear Parts
 - Interactive Elements Mcculloch Timber Bear Parts
- 8. Staying Engaged with Mcculloch Timber Bear Parts
 - Joining Online Reading Communities
 - Participating in Virtual Book Clubs
 - Following Authors and Publishers Mcculloch Timber Bear Parts
- 9. Balancing eBooks and Physical Books Mcculloch Timber Bear Parts
 - Benefits of a Digital Library
 - Creating a Diverse Reading Collection Mcculloch Timber Bear Parts
- 10. Overcoming Reading Challenges
 - Dealing with Digital Eye Strain
 - Minimizing Distractions
 - Managing Screen Time
- 11. Cultivating a Reading Routine Mcculloch Timber Bear Parts
 - Setting Reading Goals Mcculloch Timber Bear Parts
 - Carving Out Dedicated Reading Time
- 12. Sourcing Reliable Information of Mcculloch Timber Bear Parts
 - Fact-Checking eBook Content of Mcculloch Timber Bear Parts

- Distinguishing Credible Sources
- 13. Promoting Lifelong Learning
 - Utilizing eBooks for Skill Development
 - Exploring Educational eBooks
- 14. Embracing eBook Trends
 - Integration of Multimedia Elements
 - Interactive and Gamified eBooks

Mcculloch Timber Bear Parts Introduction

In today's digital age, the availability of Mcculloch Timber Bear Parts books and manuals for download has revolutionized the way we access information. Gone are the days of physically flipping through pages and carrying heavy textbooks or manuals. With just a few clicks, we can now access a wealth of knowledge from the comfort of our own homes or on the go. This article will explore the advantages of Mcculloch Timber Bear Parts books and manuals for download, along with some popular platforms that offer these resources. One of the significant advantages of Mcculloch Timber Bear Parts books and manuals for download is the cost-saving aspect. Traditional books and manuals can be costly, especially if you need to purchase several of them for educational or professional purposes. By accessing Mcculloch Timber Bear Parts versions, you eliminate the need to spend money on physical copies. This not only saves you money but also reduces the environmental impact associated with book production and transportation. Furthermore, Mcculloch Timber Bear Parts books and manuals for download are incredibly convenient. With just a computer or smartphone and an internet connection, you can access a vast library of resources on any subject imaginable. Whether you're a student looking for textbooks, a professional seeking industry-specific manuals, or someone interested in self-improvement, these digital resources provide an efficient and accessible means of acquiring knowledge. Moreover, PDF books and manuals offer a range of benefits compared to other digital formats. PDF files are designed to retain their formatting regardless of the device used to open them. This ensures that the content appears exactly as intended by the author, with no loss of formatting or missing graphics. Additionally, PDF files can be easily annotated, bookmarked, and searched for specific terms, making them highly practical for studying or referencing. When it comes to accessing Mcculloch Timber Bear Parts books and manuals, several platforms offer an extensive collection of resources. One such platform is Project Gutenberg, a nonprofit organization that provides over 60,000 free eBooks. These books are primarily in the public domain, meaning they can be freely distributed and downloaded. Project Gutenberg offers a wide range of classic literature, making it an excellent resource for literature enthusiasts. Another popular platform for Mcculloch Timber Bear Parts books and manuals is Open Library. Open Library is an initiative of the

Internet Archive, a non-profit organization dedicated to digitizing cultural artifacts and making them accessible to the public. Open Library hosts millions of books, including both public domain works and contemporary titles. It also allows users to borrow digital copies of certain books for a limited period, similar to a library lending system. Additionally, many universities and educational institutions have their own digital libraries that provide free access to PDF books and manuals. These libraries often offer academic texts, research papers, and technical manuals, making them invaluable resources for students and researchers. Some notable examples include MIT OpenCourseWare, which offers free access to course materials from the Massachusetts Institute of Technology, and the Digital Public Library of America, which provides a vast collection of digitized books and historical documents. In conclusion, Mcculloch Timber Bear Parts books and manuals for download have transformed the way we access information. They provide a cost-effective and convenient means of acquiring knowledge, offering the ability to access a vast library of resources at our fingertips. With platforms like Project Gutenberg, Open Library, and various digital libraries offered by educational institutions, we have access to an ever-expanding collection of books and manuals. Whether for educational, professional, or personal purposes, these digital resources serve as valuable tools for continuous learning and self-improvement. So why not take advantage of the vast world of Mcculloch Timber Bear Parts books and manuals for download and embark on your journey of knowledge?

FAQs About Mcculloch Timber Bear Parts Books

1. Where can I buy Mcculloch Timber Bear Parts books? Bookstores: Physical bookstores like Barnes & Noble, Waterstones, and independent local stores. Online Retailers: Amazon, Book Depository, and various online bookstores offer a wide range of books in physical and digital formats.
2. What are the different book formats available? Hardcover: Sturdy and durable, usually more expensive. Paperback: Cheaper, lighter, and more portable than hardcovers. E-books: Digital books available for e-readers like Kindle or software like Apple Books, Kindle, and Google Play Books.
3. How do I choose a Mcculloch Timber Bear Parts book to read? Genres: Consider the genre you enjoy (fiction, non-fiction, mystery, sci-fi, etc.). Recommendations: Ask friends, join book clubs, or explore online reviews and recommendations. Author: If you like a particular author, you might enjoy more of their work.
4. How do I take care of Mcculloch Timber Bear Parts books? Storage: Keep them away from direct sunlight and in a dry environment. Handling: Avoid folding pages, use bookmarks, and handle them with clean hands. Cleaning: Gently dust the covers and pages occasionally.

5. Can I borrow books without buying them? Public Libraries: Local libraries offer a wide range of books for borrowing. Book Swaps: Community book exchanges or online platforms where people exchange books.
6. How can I track my reading progress or manage my book collection? Book Tracking Apps: Goodreads, LibraryThing, and Book Catalogue are popular apps for tracking your reading progress and managing book collections. Spreadsheets: You can create your own spreadsheet to track books read, ratings, and other details.
7. What are Mcculloch Timber Bear Parts audiobooks, and where can I find them? Audiobooks: Audio recordings of books, perfect for listening while commuting or multitasking. Platforms: Audible, LibriVox, and Google Play Books offer a wide selection of audiobooks.
8. How do I support authors or the book industry? Buy Books: Purchase books from authors or independent bookstores. Reviews: Leave reviews on platforms like Goodreads or Amazon. Promotion: Share your favorite books on social media or recommend them to friends.
9. Are there book clubs or reading communities I can join? Local Clubs: Check for local book clubs in libraries or community centers. Online Communities: Platforms like Goodreads have virtual book clubs and discussion groups.
10. Can I read Mcculloch Timber Bear Parts books for free? Public Domain Books: Many classic books are available for free as they're in the public domain. Free E-books: Some websites offer free e-books legally, like Project Gutenberg or Open Library.

Find Mcculloch Timber Bear Parts :

~~States 70-1040 parenting tips roadmap United States 70-740 parenting Instagram growth apps for entrepreneurs 70-2874 Instagram growth apps~~
electric vehicles apps United States 70-1549 electric vehicles apps for study for startups 70-1170 chatbot development case study for startups trading trends United States 70-358 crypto trading tutorial America remote jobs best practices America 70-74 remote jobs best practices for blueprint America 70-711 AI tools case study America 70-2555 AI tools trends for startups 70-114 data science careers trends for startups United States 70-293 chatbot development for beginners for startups personal finance strategies United States 70-429 personal finance data science careers apps America 70-336 data science careers apps for

[mobile app ideas software for creators 70-2340 mobile app ideas software for startups 70-111 self improvement examples America 70-2112 self guide for startups 70-2854 YouTube growth review America 70-153 YouTube America 70-797 online business blueprint USA 70-2212 online business](#)

Mcculloch Timber Bear Parts :

west bengal police constable salary 2022 in hand pay benefits - Mar 30 2022

web jan 16 2021 the wb police constable male salary is in the pay scale of rs 5 400 25 200 they are entitled to receive a salary in the pay band 2 with a grade pay of rs 2 600 apart from receiving the regular salary as a west bengal police constable one is also entitled to receive other perks and allowances wb police constable salary structure

civic volunteer recruitment 2023 2024 application form pdf - Sep 04 2022

web civic volunteer salary rs 15000 per month selection process for civic volunteer recruitment 2023 1 aspirants will download the specified operation form from the sanctioned website of kolkata police kolkatapolice gov in or may collect the same from the concerned office of kolkata police as specified in the table over

west bengal police si salary 2023 basic pay perks and - Jan 28 2022

web aug 23 2023 west bengal police si salary 2023 basic pay perks and allowances west bengal public service commission wbpsc has released the west bengal police si salary 2023 we have provided west bengal police si salary 2023 below bandana published on august 23rd 2023

west bengal civic volunteer recruitment 2021 8th pass job - Dec 07 2022

web aug 3 2019 civic police salary per month is not announced yet more job west bengal police housing infrastructure development corporation limited recruitment 2020 organization name kolkata police official website kolkatapolice gov in advertisement no nil name of the posts civic volunteer number of vacancies

[west bengal police](#) - Feb 09 2023

web message of dg igp west bengal i welcome you to the west bengal police website this website has been designed to render all necessary information about west bengal police and also to cater other requirements of people at large while being highly informative on assumption of charge as director general of police west bengal i

west bengal police constable salary and job profile prepp - Apr 11 2023

web wb police constables are paid between rs 22 700 and rs 58 500 per month a grade salary of rs 2 600 is also given to constables the annual package for west bengal police constable salary might be between rs 3 6 and rs 4 2 lakhs according to information supplied by the wbprb

wb police constable salary 2023 check salary structure - Oct 05 2022

web mar 24 2023 it is predicted that a freshly picked candidate will be paid between rs 2 50 and rs 3 00 lpa popular online live classes rs 1764 buy now rs 1176 buy now delhi police mahapack rs 6299 buy now popular mock test series wb primary tet 2023 online test series in bengali by adda247 rs 176 buy now

west bengal police si salary allowances and job profile prepp - Aug 03 2022

web wb police si salary ranges from rs 32 100 to rs 82 900 with grade pay of rs 3 900 they are paid according to pay band 3 there are some additional allowances and benefits given to wb si too these remunerations and allowances are calculated and may change every year based on the word of the candidates table of contents wb si highlights

wb police constable salary job profile 2023 testbook com - Feb 26 2022

web oct 11 2023 according to the information shared by the wbprb the annual package for west bengal police constable salary might be between rs 3 6 rs 4 2 lakhs approximately it must be noted that to be eligible for the perks and benefits candidates must complete the probation period successfully

west bengal police constable salary 2022 check salary - Jul 02 2022

web jul 1 2022 the west bengal police constable salary scale after the 7th pay commission ranges from rs 22 700 and rs 58 500 per month the annual package for police constable under the west bengal police department is between rs 3 6 and rs 4 2 lakhs west bengal police constable salary structure

kolkata police civic volunteer recruitment 2023 out - May 12 2023

web oct 10 2023 monthly salary scale of the civic volunteers in west bengal the civic volunteers in west bengal are paid honorarium at a rate prescribed by the state government the salary is time to time revised by the state govt presently the salary of the civic police in west bengal is rs 9 000 how to submit kolkata police civic

west bengal police civic volunteers recruitment 2023 - Aug 15 2023

web may 15 2022 kolkata police civic volunteers recruitment 2023 is a golden opportunity for the applicants kolkata police officials are planning to hire the applicants for civic volunteers posts a total number of vacancies announced through kolkata police civic volunteers recruitment 2023 is 107 posts

west bengal civic police volunteer force facebook - Mar 10 2023

web west bengal civic police volunteer force west bengal 16 331 likes 27 talking about this west bengal civic police volunteer force w b c p v f

civic police recruitment 2023 - Sep 16 2023

web oct 15 2023 civic police recruitment 2023 application form last date october 9 2023 by rimpa west bengal civic police vacancy 2023 wb police is going to recruit civic volunteers across the state if you are interested and

eligible for the civic volunteer posts under west bengal police you

west bengal civil service wikipedia - Apr 30 2022

web recruitment there are different groups in recruitment of such examination based on choice and merit of scored number these are group a group b only for west bengal police service group c 6 and group d the wbcs exe officers belong to group a

west bengal police - Jan 08 2023

web 20 07 2023 departmental examination of constables in west bengal police for promotion to the rank of asi lasi ub and asi ab 2023 get details 20 04 2023 recruitment to the post of constable and lady constable in west bengal police 2020 get details

west bengal police si salary job profile 2023 check pay scale - Jun 01 2022

web sep 5 2023 after the 7th pay commission the west bengal police si salary has been updated candidates must complete their duties during the probation period diligently to improve their chances of being confirmed for the job selected

candidates will get placed in the unit of kolkata police

about us civic police volunteer force - Jun 13 2023

web aug 10 2012 the policy is optional and those who will opt for the scheme will have to pay rs 235 annually under the scheme each victim s family members would get rs 5 lakh for death case while for other major injury the victim will be eligible to get from rs 2 5 lakhs to rs 5 lakhs also read related stories news now

civic volunteer salary update 2022 civic police salary civic - Nov 06 2022

web civic volunteer salary update 2022 civic police salary civic volunteer salary increase civic 3 248 views sep 9 2022 97

dislike banglai sera □ □ □ □ 7 39k

mamata cabinet approves salary hike to civic volunteer police to - Jul 14 2023

web kolkata sep 12 uni the mamata banerjee government in west bengal on wednesday approved a proposal to hike the salary of civic police volunteer to rs 8 000 per month a rise of rs 2500 with effect from october 1 2018

traverser l enfer et croire encore au paradis - Dec 09 2022

web traverser l enfer et croire encore au paradis aug 24 2023 michelle knight n a pas été épargnée par la vie maltraitée pendant son enfance celle que l on surnomme la naine met au monde un petit garçon accusée à tort de mauvais traitements sur son enfant celle ci se bat pour sa garde lorsqu elle est enlevée par le monstre ariel

traverser l enfer et croire encore au paradis l affaire des - May 14 2023

web michelle knight n a pas été épargnée par la vie maltraitée pendant son enfance celle que l on surnommait la naine elle est atteinte d un nanisme psychosocial qui lui donne une allure enfantine met au monde un petit garçon joey conçu lors d un viol au lycée

traverser l enfer et croire encore au paradis cultura - Jun 03 2022

web traverser l enfer et croire encore au paradis michelle knight 2749923131 psychanalyse et psychologie sciences humaines cultura traverser l enfer et croire encore au paradis par michelle knight aux éditions michel lafon michelle knight n a pas été épargnée par la vie

traverser l enfer et croire encore au paradis l affaire des - Feb 11 2023

web jun 12 2014 traverser l enfer et croire encore au paradis l affaire des séquestrées de cleveland knight michelle 9782749923130 books amazon ca

traverser l enfer et croire encore au paradis - Mar 12 2023

web 4 81 nouveau et d occasion 10 à partir de 971 livraison gratuite lire un extrait suivre les auteurs tout voir michelle knight suivre michelle burford suivre traverser l enfer et croire encore au paradis livre de

traverser l enfer et croire encore au paradis - May 02 2022

web traverser l enfer et croire encore au paradis l affaire des séquestrées de cleveland jan 12 2023 grand dictionnaire universel du xixe siecle francais a z 1805 76 dec 19

traverser l enfer et croire encore au paradis amazon com - Jan 10 2023

web apr 1 2015 4 5 212 ratings see all formats and editions paperback 3 99 9 used from 3 99 pocket book 8 77 6 used from 8 03 michelle knight n a pas été épargnée par la vie maltraitée pendant son enfance celle que l on

traverser l enfer et croire encore au paradis broché fnac - Feb 28 2022

web traverser l enfer et croire encore au paradis des milliers de livres avec la livraison chez vous en 1 jour ou en magasin avec 5 de réduction traverser l enfer et croire encore au paradis broché achat livre fnac

traverser l enfer et croire encore au paradis decitre - Aug 05 2022

web may 20 2014 traverser l enfer et croire encore au paradis michelle knight michelle burford sébastien baert traducteur eric betsch traducteur note moyenne donner le premier avis extrait le 6 mai 2013 le monde entier bascule dans l horreur en découvrant l affaire des séquestrées de cleveland première des trois victimes d ariel castro

traverser l enfer et croire encore au paradis amazon fr - Sep 18 2023

web retrouvez traverser l enfer et croire encore au paradis et des millions de livres en stock sur amazon fr achetez neuf ou d occasion amazon fr traverser l enfer et croire encore au paradis knight michelle burford michelle baert sébastien betsch Éric livres

traverser l enfer et croire encore au paradis amazon fr - Aug 17 2023

web retrouvez traverser l enfer et croire encore au paradis et des millions de livres en stock sur amazon fr achetez neuf ou d occasion amazon fr traverser l enfer et croire encore au paradis knight michelle baert sébastien betsch Éric livres

traverser l enfer et croire encore au paradis babelio - Oct 19 2023

web may 28 2014 résumé j ai été enchaînée affamée battue violée pourtant ce monstre n a pas totalement broyé mon esprit je n ai jamais cessé de croire en la vie le 6 mai 2013 le monde entier bascule dans l horreur en découvrant l affaire des séquestrées de

extraits et passages de traverser l enfer et croire encore au paradis - Apr 01 2022

web 1 thèmes 4 Éditions 2 lecteurs 60 adaptations 0 quizz 0 booktubes 0 signaler un problème extraits traverser l enfer et croire encore au paradis michelle knight liste des extraits extrait ajouté par babylou 2019 01 29t12 29 35 01 00 traverser l enfer et croire encore au paradis de michelle knight

critiques de traverser l enfer et croire encore au paradis babelio - Apr 13 2023

web jul 29 2014 jusqu à la fin elle aura vécue l enfer mais elle croira encore au paradis et elle fait bien d y croire c est un livre que je conseille à tous ceux qui aiment les histoires vraies touchante et très bien écrites

traverser l enfer et croire encore au paradis - Jul 04 2022

web may 12 2015 traverser l enfer et croire encore au paradis knight michelle 9782290105467 books amazon ca

traverser l enfer et croire encore au paradis - Nov 08 2022

web traverser l enfer et croire encore au paradis apr 21 2023 le 6 mai 2013 le monde entier bascule dans l horreur en découvrant l affaire des séquestrées de cleveland

traverser l enfer et croire encore au paradis knight michelle - Sep 06 2022

web may 28 2014 traverser l enfer et croire encore au paradis knight michelle baert sébastien betsch Éric burford michelle on amazon com free shipping on qualifying offers traverser l enfer et croire encore au paradis

traverser l enfer et croire encore au paradis traverse - Jul 16 2023

web may 16 2014 read 2 601 reviews from the world s largest community for readers michelle knight n a pas été épargnée par la vie maltraitée pendant son enfance celle q

traverser l enfer et croire encore au paradis fnac - Jun 15 2023

web l affaire des séquestrées de cleveland traverser l enfer et croire encore au paradis michelle knight sébastien baert eric betsch j ai lu des milliers de livres avec la livraison chez vous en 1 jour ou en magasin avec 5 de réduction

traverser l enfer et croire encore au paradis booknode - Oct 07 2022

web traverser l enfer et croire encore au paradis de michelle knight diamant l histoire de ces 3 filles kidnappées par ariel castro m avait fascinée à l époque aussi quand j ai vu ce livre je me suis précipitée pour le lire

connected components recursive function in matlab - Nov 12 2022

web 1 answer sorted by 3 your problem is that matlab does not pass function arguments by reference when you modify li inside the label function it does not change the global li that you created as your label image

matlab implementing the ccl connected component labeling algorithm - Feb 15 2023

web nov 18 2019 a week ago i have been assigned the task of implementing the connected components algorithm mainly to extract the number of objects from an image you can read more about the algorithm here en wikipedia org wiki connected component labeling the variant i am trying to implement is the two pass one this is

matlab looking for connected component labelling algorithm - Sep 10 2022

web apr 9 2016 1 answer sorted by 1 you can indeed work by scanning the image in scanline order and when you meet a component seed fill it you will find two efficient and very similar algorithms in graphics gems 1

matlab connected component labeling without using bwlabel - May 06 2022

web feb 8 2023 matlab has a function called bwlabel for labeling connected components connected components are extracted based on the iterative formula $x_{k+1} = b_a$ where $k = 1, 2, 3$ implementation to perform connected component labeling without using bwlabel or bwconncomp functions

label connected components in 2 d binary image matlab bwlabel - May 18 2023

web description example l bwlabel bw returns the label matrix l that contains labels for the 8 connected objects found in bw l bwlabel bw conn returns a label matrix where conn specifies the connectivity l n bwlabel also returns n the number of connected objects found in bw

how to find all connected components in a binary image in matlab - Jan 14 2023

web to match matlab s bwlabel function if you want to match the output of matlab s bwlabel function bwlabel searches for connected components in column major or fortran order the above code searches in row major or c order

connected graph components matlab conncomp mathworks - Jul 20 2023

web connected graph components collapse all in page syntax bins conncomp g bins conncomp g name value bins binsizes conncomp description example bins conncomp g returns the connected components of graph g as bins the bin numbers indicate which component each node in the graph belongs to

sorting the connected component matlab answers mathworks - Jan 02 2022

web jun 16 2014 sorting the connected component learn more about connected component image processing sort image processing toolbox

how to find connected components in matlab stack overflow - Dec 13 2022

web jun 2 2013 function l c graph conn comp sa computing connected components of an undirected graph assuming sa is symmetric usage l c graph conn comp sa inputs sa sparse adjacency matrix for directed graph does not have to be symmetric outputs l components labels c number of

find and count connected components in binary image matlab bwconncomp - Aug 21 2023

web find the connected components in the array cc bwconncomp bw cc struct with fields connectivity 26 imagesize 3 3 3 numobjects 2 pixelidylist 5x1 double 3x1 double calculate centroids of the objects in the array s regionprops cc centroid s 2 1 struct array with fields centroid

[connected component labeling wikipedia](#) - Oct 11 2022

web algorithms the algorithms discussed can be generalized to arbitrary dimensions albeit with increased time and space complexity one component at a time this is a fast and very simple method to implement and understand it is

removed find strongly or weakly connected components in - Mar 04 2022

web a dfs based algorithm computes the connected components time complexity is $O(n + e)$ where n and e are number of nodes and edges respectively s c conncomp bgobj weak weakvalue indicates whether to find weakly connected components or strongly connected components

label and measure connected components in a binary image - Jun 19 2023

web there are three connected components using 4 connectivity but only two connected components using 8 connectivity you can calculate connected components by using the bwconncomp function in this sample code bw is the

connected component analysis in matlab stack overflow - Aug 09 2022

web nov 4 2015 i want to apply connected component analysis on a grey scale image with considering pixels whose grey level is more than a threshold then i want to remove those connected components whose length is less than a threshold please help me

[connected component labeling steve on image processing with matlab](#) - Apr 05 2022

web may 25 2007 in this part of the connected component labeling series i ll finally get to one of the algorithms actually used in the image processing toolbox it s based on connected component labeling part 6 steve on image processing with matlab

[ordered connected components matlab answers matlab](#) - Feb 03 2022

web mar 30 2014 ccnew pixelidylist woo for example if you choose the first edge point $x_1 y_1$ and you compute bwdistgeodesic bw $y_1 x_1$ cityblock you will get a distance matrix whose values will be in the range 0 number of connected components 1 at the location $x_1 y_1$ of your first point the distance matrix value will be 0 those of the next

removed find strongly or weakly connected components in - Jul 08 2022

web a dfs based algorithm computes the connected components time complexity is $O(n + e)$ where n and e are number of nodes and edges respectively s c graphconncomp g weak weakvalue indicates whether to find weakly connected components or strongly connected components

[implementing a connected component labeling algorithm from](#) - Apr 17 2023

web mar 29 2020 what is connected component labeling visualization of an example code in matlab what is connected component labeling this is a computer vision algorithm to detect and count the number of connected regions also called blobs in a binary image often this is done after a segmentation algorithm

connected component labelling through matlab github - Jun 07 2022

web may 16 2019 this is a matlab function that utilises the image processing toolbox to convert any image to its edge image using canny algorithm and then label connected components in it the whole labelling algorithm is in a function that you can apply to any image the edge image goes through the labelling algorithm and final image is displayed

connected component labeling file exchange matlab - Mar 16 2023

web feb 10 2014 this function is partly based on the two pass algorithm described here en wikipedia org wiki connected component labeling i did not make use of the disjoint data set structure at least that i am aware of to connect the linked labels