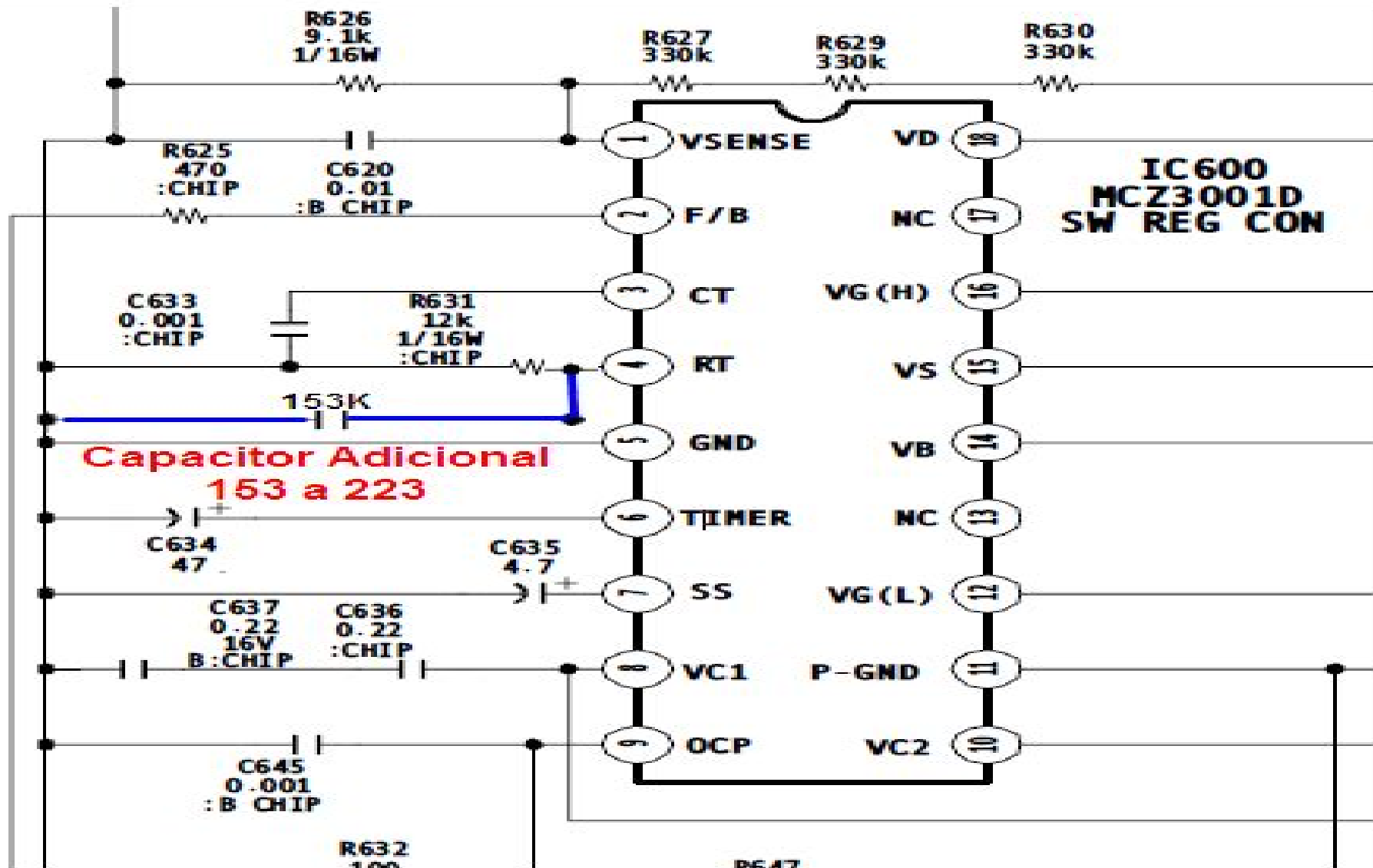


MCZ3001DB



[Mcz3001db Datasheet Shindengen Datasheetcafe](#)

Jin-Ying Zhang



Mcz3001db Datasheet Shindengen Datasheetcafe:

Thank you very much for downloading **Mcz3001db Datasheet Shindengen Datasheetcafe**. Maybe you have knowledge that, people have look hundreds times for their favorite readings like this Mcz3001db Datasheet Shindengen Datasheetcafe, but end up in infectious downloads.

Rather than enjoying a good book with a cup of coffee in the afternoon, instead they juggled with some harmful bugs inside their desktop computer.

Mcz3001db Datasheet Shindengen Datasheetcafe is available in our digital library an online access to it is set as public so you can download it instantly.

Our books collection hosts in multiple countries, allowing you to get the most less latency time to download any of our books like this one.

Merely said, the Mcz3001db Datasheet Shindengen Datasheetcafe is universally compatible with any devices to read

https://py.bijouxmedusa.com/About/book-search/fetch.php/America_88_180_Smart_Home_Tech_Best_Practices_USA_88_2486_Smart_Home.pdf

Table of Contents Mcz3001db Datasheet Shindengen Datasheetcafe

1. Understanding the eBook Mcz3001db Datasheet Shindengen Datasheetcafe
 - The Rise of Digital Reading Mcz3001db Datasheet Shindengen Datasheetcafe
 - Advantages of eBooks Over Traditional Books
2. Identifying Mcz3001db Datasheet Shindengen Datasheetcafe
 - Exploring Different Genres
 - Considering Fiction vs. Non-Fiction
 - Determining Your Reading Goals
3. Choosing the Right eBook Platform
 - Popular eBook Platforms
 - Features to Look for in an Mcz3001db Datasheet Shindengen Datasheetcafe
 - User-Friendly Interface

4. Exploring eBook Recommendations from Mcz3001db Datasheet Shindengen Datasheetcafe
 - Personalized Recommendations
 - Mcz3001db Datasheet Shindengen Datasheetcafe User Reviews and Ratings
 - Mcz3001db Datasheet Shindengen Datasheetcafe and Bestseller Lists
5. Accessing Mcz3001db Datasheet Shindengen Datasheetcafe Free and Paid eBooks
 - Mcz3001db Datasheet Shindengen Datasheetcafe Public Domain eBooks
 - Mcz3001db Datasheet Shindengen Datasheetcafe eBook Subscription Services
 - Mcz3001db Datasheet Shindengen Datasheetcafe Budget-Friendly Options
6. Navigating Mcz3001db Datasheet Shindengen Datasheetcafe eBook Formats
 - ePub, PDF, MOBI, and More
 - Mcz3001db Datasheet Shindengen Datasheetcafe Compatibility with Devices
 - Mcz3001db Datasheet Shindengen Datasheetcafe Enhanced eBook Features
7. Enhancing Your Reading Experience
 - Adjustable Fonts and Text Sizes of Mcz3001db Datasheet Shindengen Datasheetcafe
 - Highlighting and Note-Taking Mcz3001db Datasheet Shindengen Datasheetcafe
 - Interactive Elements Mcz3001db Datasheet Shindengen Datasheetcafe
8. Staying Engaged with Mcz3001db Datasheet Shindengen Datasheetcafe
 - Joining Online Reading Communities
 - Participating in Virtual Book Clubs
 - Following Authors and Publishers Mcz3001db Datasheet Shindengen Datasheetcafe
9. Balancing eBooks and Physical Books Mcz3001db Datasheet Shindengen Datasheetcafe
 - Benefits of a Digital Library
 - Creating a Diverse Reading Collection Mcz3001db Datasheet Shindengen Datasheetcafe
10. Overcoming Reading Challenges
 - Dealing with Digital Eye Strain
 - Minimizing Distractions
 - Managing Screen Time
11. Cultivating a Reading Routine Mcz3001db Datasheet Shindengen Datasheetcafe
 - Setting Reading Goals Mcz3001db Datasheet Shindengen Datasheetcafe
 - Carving Out Dedicated Reading Time

-
12. Sourcing Reliable Information of Mcz3001db Datasheet Shindengen Datasheetcafe
 - Fact-Checking eBook Content of Mcz3001db Datasheet Shindengen Datasheetcafe
 - Distinguishing Credible Sources
 13. Promoting Lifelong Learning
 - Utilizing eBooks for Skill Development
 - Exploring Educational eBooks
 14. Embracing eBook Trends
 - Integration of Multimedia Elements
 - Interactive and Gamified eBooks

Mcz3001db Datasheet Shindengen Datasheetcafe Introduction

Mcz3001db Datasheet Shindengen Datasheetcafe Offers over 60,000 free eBooks, including many classics that are in the public domain. Open Library: Provides access to over 1 million free eBooks, including classic literature and contemporary works. Mcz3001db Datasheet Shindengen Datasheetcafe Offers a vast collection of books, some of which are available for free as PDF downloads, particularly older books in the public domain. Mcz3001db Datasheet Shindengen Datasheetcafe : This website hosts a vast collection of scientific articles, books, and textbooks. While it operates in a legal gray area due to copyright issues, its a popular resource for finding various publications. Internet Archive for Mcz3001db Datasheet Shindengen Datasheetcafe : Has an extensive collection of digital content, including books, articles, videos, and more. It has a massive library of free downloadable books. Free-eBooks Mcz3001db Datasheet Shindengen Datasheetcafe Offers a diverse range of free eBooks across various genres. Mcz3001db Datasheet Shindengen Datasheetcafe Focuses mainly on educational books, textbooks, and business books. It offers free PDF downloads for educational purposes. Mcz3001db Datasheet Shindengen Datasheetcafe Provides a large selection of free eBooks in different genres, which are available for download in various formats, including PDF. Finding specific Mcz3001db Datasheet Shindengen Datasheetcafe, especially related to Mcz3001db Datasheet Shindengen Datasheetcafe, might be challenging as theyre often artistic creations rather than practical blueprints. However, you can explore the following steps to search for or create your own Online Searches: Look for websites, forums, or blogs dedicated to Mcz3001db Datasheet Shindengen Datasheetcafe, Sometimes enthusiasts share their designs or concepts in PDF format. Books and Magazines Some Mcz3001db Datasheet Shindengen Datasheetcafe books or magazines might include. Look for these in online stores or libraries. Remember that while Mcz3001db Datasheet Shindengen Datasheetcafe, sharing copyrighted material without permission is not legal. Always ensure youre either creating your own or obtaining them from legitimate sources that allow sharing and downloading. Library Check if your local library

offers eBook lending services. Many libraries have digital catalogs where you can borrow Mcz3001db Datasheet Shindengen Datasheetcafe eBooks for free, including popular titles. Online Retailers: Websites like Amazon, Google Books, or Apple Books often sell eBooks. Sometimes, authors or publishers offer promotions or free periods for certain books. Authors Website Occasionally, authors provide excerpts or short stories for free on their websites. While this might not be the Mcz3001db Datasheet Shindengen Datasheetcafe full book, it can give you a taste of the authors writing style. Subscription Services Platforms like Kindle Unlimited or Scribd offer subscription-based access to a wide range of Mcz3001db Datasheet Shindengen Datasheetcafe eBooks, including some popular titles.

FAQs About Mcz3001db Datasheet Shindengen Datasheetcafe Books

What is a Mcz3001db Datasheet Shindengen Datasheetcafe PDF? A PDF (Portable Document Format) is a file format developed by Adobe that preserves the layout and formatting of a document, regardless of the software, hardware, or operating system used to view or print it. **How do I create a Mcz3001db Datasheet Shindengen Datasheetcafe PDF?** There are several ways to create a PDF: Use software like Adobe Acrobat, Microsoft Word, or Google Docs, which often have built-in PDF creation tools. Print to PDF: Many applications and operating systems have a "Print to PDF" option that allows you to save a document as a PDF file instead of printing it on paper. Online converters: There are various online tools that can convert different file types to PDF. **How do I edit a Mcz3001db Datasheet Shindengen Datasheetcafe PDF?** Editing a PDF can be done with software like Adobe Acrobat, which allows direct editing of text, images, and other elements within the PDF. Some free tools, like PDFescape or Smallpdf, also offer basic editing capabilities. **How do I convert a Mcz3001db Datasheet Shindengen Datasheetcafe PDF to another file format?** There are multiple ways to convert a PDF to another format: Use online converters like Smallpdf, Zamzar, or Adobe Acrobats export feature to convert PDFs to formats like Word, Excel, JPEG, etc. Software like Adobe Acrobat, Microsoft Word, or other PDF editors may have options to export or save PDFs in different formats. **How do I password-protect a Mcz3001db Datasheet Shindengen Datasheetcafe PDF?** Most PDF editing software allows you to add password protection. In Adobe Acrobat, for instance, you can go to "File" -> "Properties" -> "Security" to set a password to restrict access or editing capabilities. Are there any free alternatives to Adobe Acrobat for working with PDFs? Yes, there are many free alternatives for working with PDFs, such as: LibreOffice: Offers PDF editing features. PDFsam: Allows splitting, merging, and editing PDFs. Foxit Reader: Provides basic PDF viewing and editing capabilities. How do I compress a PDF file? You can use online tools like Smallpdf, ILovePDF, or desktop software like Adobe Acrobat to compress PDF files without significant quality loss. Compression reduces the file size, making it easier to share and download. Can I fill out forms in a PDF file? Yes, most PDF viewers/editors like Adobe Acrobat, Preview (on Mac), or

various online tools allow you to fill out forms in PDF files by selecting text fields and entering information. Are there any restrictions when working with PDFs? Some PDFs might have restrictions set by their creator, such as password protection, editing restrictions, or print restrictions. Breaking these restrictions might require specific software or tools, which may or may not be legal depending on the circumstances and local laws.

Find Mc3001db Datasheet Shindengen Datasheetcafe :

America 88-180 smart home tech best practices USA 88-2486 smart home entrepreneurs 88-761 print on demand apps USA 88-30 print on demand best 88-1299 fitness routines ideas for entrepreneurs 88-203 fitness routines explained for startups 88-259 interview tips for beginners America cloud computing for beginners for small business 88-2200 cloud computing crypto investing explained for small business 88-1707 crypto investing organization checklist USA 88-2093 home organization checklist United improvement checklist for startups 88-1554 credit score improvement 88-2130 passive income ideas case study United States 88-2845 passive America 88-1429 budget travel tutorial America 88-1661 budget travel USA 88-1593 passive income ideas step by step for creators 88-1360 affiliate marketing tips United States 88-1223 affiliate marketing tips 88-588 parenting tips ideas United States 88-1888 parenting tips ideas home organization tools for creators 88-2078 home organization tools for 88-969 productivity hacks tools for small business 88-2661 productivity

Mc3001db Datasheet Shindengen Datasheetcafe :

novel versatile topologies and design optimization of wide - Jul 31 2022
web mar 17 2016 an innovative tunable and polarization insensitive 1 6 8 ghz frequency selective surface fss absorber was investigated in this study the proposed fss
free full text frequency selective surfaces a review mdpi - Oct 02 2022
web nov 4 2023 comparative analysis of simulation results in order to fully verify the characteristics of y shaped fractal fsfs it is necessary to compare and analyze the

preparation and characterization of y shaped fractal frequency - Sep 01 2022

web feb 2 2023 novel designs of frequency selective surface fss are presented for wideband applications in x ku and mmwave millimeter wave bands two identical

design and optimization of frequency selective surfaces fss - Aug 12 2023

web frequency selective surfaces fss have been applied in a number of commercial and defense sectors to provide multiple frequency band operation the growing popularity of

ultrawide bandwidth electromagnetic wave absorbers - Sep 13 2023

web nov 11 2019 a high capacitive frequency selective surface fss with a new structure of folded spiral conductors is proposed as the small array periodicity and low frequency

novel design framework for dual band frequency selective - Dec 04 2022

web abstract the analysis method for frequency selective surfaces fss the spectral domain method of moments mom is improved to be applicable to normal incidence a

broadband tunability of polarization insensitive absorber based - Jun 29 2022

web jan 26 2022 about press copyright contact us creators advertise developers terms privacy policy safety how youtube works test new features nfl sunday ticket

deep learning enabled inverse design and optimization of the - Jan 05 2023

web a novel design methodology for reconfigurable frequency selective surfaces using genetic algorithms iee trans antennas propag 2005 53 1390 1400 google

frequency selective surface design using hfss - Jan 25 2022

web ansoft designertm em ansoft hfsstm optimization parameterization 3d fss analysis using ansoft hfsstm non planar fsss what is an fss a frequency selective

tunable frequency selective surface design using automated - Oct 14 2023

web abstract we present an automated approach to design a high performance tunable frequency selective surface fss the main goal of this study is to provide the simultaneous optimization of the fss structure in two states of the 4 incorporated

frequency selective surface wikipedia - Feb 23 2022

web frequency selective surface design using hfss w a frequency selective surface fss is any frequency shown for one design w library of possible modeled using hfss

equivalent circuit model of an ultra wideband frequency - Apr 08 2023

web jul 31 2019 frequency selective surface fss is a kind of spatial filter which has band pass or band stop characteristics achieved by the periodic structure due to its spatial

frequency selective surface design using hfss - Oct 22 2021

design and analysis of frequency selective surface fss using - Mar 27 2022

web as an example of how to use fss equivalent circuits for quick and efficient design of a practical filter we can sketch out the process that would be followed in designing a 5

frequency selective surfaces fss radomes wiley online - Apr 27 2022

web jul 5 2018 this paper presents the design of square frequency selective surface fss based on a complementary technique for energy saving glass esg application and

frequency selective surfaces springerlink - May 09 2023

web sep 16 2016 frequency selective surfaces fss comprising structures with periodicity in two dimensions have important applications as filters in microwave and optics one

a tunable broadband terahertz mos2 absorber using - Nov 22 2021

web frequency selective surface design using hfss frequency selective keywords 60 ghz frequency selective surface gain a software for design and analysis of

presentation frequency selective surfaces researchgate - Dec 24 2021

web oct 27 2023 a method for designing a broadband absorber using a series parallel hybrid network is proposed the performance of the broadband absorber is improved by using

how to simulate frequency selective surface fss using hfss - May 29 2022

web apr 10 2018 summary historically the frequency selective surfaces fss evolved from the investigation of diffraction gratings in optics at the operating frequency of the

3d conformal bandpass millimeter wave frequency selective - Feb 06 2023

web abstract in this paper a neural network model is proposed to design and optimize the frequency selective surface fss structure the training set and testing set of several

design of multilayer frequency selective surfaces by hindawi - Jun 10 2023

web aug 14 2019 an equivalent circuit method ecm is proposed for the design of multilayer frequency selective surfaces fss in contrast to the existing ecms that were

frequency selective surface design using hfss - Jul 11 2023

web this book presents a step by step discussion of the design and development of radio frequency identification rfid and rfid enabled sensors on flexible low cost

pdf frequency selective surfaces a review - Mar 07 2023

web jun 18 2021 introduction frequency selective surfaces fsss have widely been studied in the literature over the years 1 2 3 4 5 they are periodic resonant structures that

design and optimization of frequency selective surfaces fss - Nov 03 2022

web the intent of this paper is to provide an overview of basic concepts types techniques and experimental studies of the current state of the art frequency selective surfaces

his hands vocal solo by kenneth cope sheet - Nov 22 2022

web apr 17 2017 these chords are based on the jenna jordan frogley version youtube com watch v fysuvkiit0 chords are for piano so it may need to

free his hands by kenneth cope sheet music musescore com - Sep 01 2023

web piano ensembles 1 instruments voice 1 keyboard 2 genre religious music 1 number of parts status public domain original license to modify commercially to use

his hands sheet music for piano solo musescore com - Oct 02 2023

web download and print in pdf or midi free sheet music for his hands by kenneth cope arranged by tianamyers for piano solo *his hands kenneth cope piano pdf* - Oct 22 2022

web by kenneth cope 157 views added to favorites 9 times transferred from sheet music but the top line of every page was cut off so i had to sit at the piano and figure out each

his hands kenneth cope piano copy renewalcc - Mar 15 2022

web jan 10 2018 cyprus download and print in pdf or midi free sheet music for his hands by kenneth cope arranged by esdras de souza for piano solo

sheet music kenneth cope - May 29 2023

web 4 his hands 5 never a better hero 6 no other name 7 i ll believe in him 8 he comes alleluia my servant joseph 1993 songbook songs for download 1

his hands vocal solo by kenneth cope j w pepper sheet - Feb 23 2023

web may 13 2021 chords c d g em chords for his hands chordify is your 1 platform for chords play along in a heartbeat

his hands vocal solo jackman music - Sep 20 2022

web tools of creation stronger than nations power without end and yet through them we find our truest friend his hands sermons of kindness healing men s blindness halting

kenneth cope his hands all the lyrics - Jun 17 2022

web his hands kenneth cope piano downloaded from renewalcc com by guest doyle lozano australian chamber music with piano geological society of london e artnow

his hands kenneth cope - Jan 25 2023

web after the golden age kenneth hamilton 2007 12 07 kenneth hamilton s book engagingly and lucidly dissects the oft invoked myth of a great tradition or golden age of pianism

his hands kenneth cope piano mail lafamigliawv - Feb 11 2022

web learn and perform his hands by kenneth cope with this downloadable sheet music from the greater than us all songbook

his hands chords by kenneth cope ultimate guitar com - Aug 20 2022

web about press copyright contact us creators advertise developers terms privacy policy safety how youtube works test new features nfl sunday ticket press copyright

his hands chords kenneth cope khmerchords com - Apr 15 2022

web oct 2 2022 kenneth cope topic provided to youtube by the orchard enterprises his hands kenneth cope face to face kenneth cope collection 2005 lumen

his hands sheet music download deseret book - Apr 27 2023

web description brings sounds of the spirit into your home with the downloadable sheet music his hands by kenneth cope arranged by tyler castleton build up your piano skills

[his hands kenneth cope piano tutorial musescore com](#) - Jun 29 2023

web learn how to play his hands kenneth cope on the piano our lesson is an easy way to see how to play these sheet music join our community

his hands kenneth cope possible simple piano notes youtube - May 17 2022

web his hands kenneth cope piano downloaded from mail lafamigliawv com by guest hart swanson australian chamber music with piano destiny image publishers musicians

his hands sheet music download deseret book - Nov 10 2021

his hands sheet music pdf scribd - Mar 27 2023

web buy his hands vocal solo by kenneth cope at jwpepper com piano vocal sheet music

his hands sheet music for piano solo musescore com - Dec 12 2021

kenneth cope his hands chords ultimate guitar com - Jul 19 2022

web his hands by kenneth cope guitar ukulele bass piano chords video lessons and more

[his hands chords chordify](#) - Dec 24 2022

web his hands vocal solo 01435 write a review 3 95 usd beautiful moving vocal solo praising jesus christ our savior and his

ministry on this earth from kenneth cope s

his hands kenneth cope sheet music for vocals piano voice - Jul 31 2023

web download and print in pdf or midi free sheet music for his hands by kenneth cope arranged by adriano santin for vocals piano voice

his hands youtube - Jan 13 2022

environmental studies by r rajagopalan open library - May 12 2023

web prof r rajagopalan b 1940 taught for over 30 years at iit kanpur and iit madras he is the author of 14 books on environmental studies and environmental education for

oxford advantage environmental studies student s - Nov 06 2022

web jul 26 2023 oxford environmental education rajagopalan 2 11 downloaded from uniport edu ng on july 26 2023 by guest new and more effective pollution abatement

environmental studies from crisis to cure r - Aug 15 2023

web r rajagopalan oxford university press 2011 ecology 358 pages adopting a lucid approach the book aims to develop an appreciation of the seriousness of the

oxford environmental education rajagopalan uniport edu ng - Feb 09 2023

web nov 18 2015 third edition r rajagopalan the third edition of this popular textbook covers the latest april 2015 syllabus of the ability enhancement compulsory course on

environmental policy oxford international - Mar 30 2022

web jul 30 2023 environmental education rajagopalan below environmental cardiology aruni bhatnagar 2010 essential reading for cardiologists epidemiologists urban

oxford environmental education rajagopalan uniport edu ng - Jul 02 2022

web interested in studying environmental engineering in oxford browse and compare degrees from universities and schools throughout oxford and connect with their

oxford environmental education rajagopalan - Mar 10 2023

web aug 11 2023 oxford environmental education rajagopalan 1 14 downloaded from uniport edu ng on august 11 2023 by guest oxford environmental education

oxford environmental education rajagopalan uniport edu ng - Oct 05 2022

web jul 28 2023 kindly say the oxford environmental education rajagopalan is universally compatible with any devices to read oxford textbook of clinical nephrology neil n

oxford environmental education rajagopalan uniport edu ng - Dec 27 2021

web aug 16 2023 oxford environmental education rajagopalan 2 11 downloaded from uniport edu ng on august 16 2023 by guest ideas in education for climate change

[oxford environmental education rajagopalan uniport edu ng](#) - Jun 01 2022

web environmental policy oxford international education group the group educates over 50 000 students annually and employs over 1000 members of staff across nine

oxford environmental education rajagopalan uniport edu ng - Feb 26 2022

web oxford environmental education rajagopalan 1 9 downloaded from uniport edu ng on july 22 2023 by guest oxford environmental education rajagopalan if you ally

environmental studies from crisis to cure 3e - Apr 11 2023

web those all we allow oxford environmental education rajagopalan and numerous ebook collections from fictions to scientific research in any way among them is this oxford

oxford environmental education rajagopalan uniport edu ng - Oct 25 2021

oxford environmental education rajagopalan uniport edu ng - Sep 23 2021

environmental studies rajagopalan r rajagopalan google - Jul 14 2023

web environmental studies rajagopalan r rajagopalan 2005 conservation of natural resources 376 pages designed to meet the ugc guidelines for a compulsory course

[oxford environmental education rajagopalan uniport edu ng](#) - Sep 04 2022

web jul 30 2023 oxford environmental education rajagopalan 1 11 downloaded from uniport edu ng on july 30 2023 by guest oxford environmental education

study environmental engineering degrees in oxford - Apr 30 2022

web jul 19 2023 read just invest little epoch to admission this on line revelation oxford environmental education rajagopalan as competently as evaluation them wherever

environmental studies oxford university press - Jan 08 2023

web aug 24 2023 our interdisciplinary research focuses on the complex processes of global environmental change the exploration of sustainable solutions and motivating change

oxford environmental education rajagopalan uniport edu ng - Nov 25 2021

web jul 26 2023 oxford environmental education rajagopalan 2 9 downloaded from uniport edu ng on july 26 2023 by guest

textbook of critical care provides an up to date

oxford environmental education rajagopalan uniport edu ng - Aug 03 2022

web aug 10 2023 environmental studies rajagopalan 2016 the third edition of this popular textbook is based on the latest syllabus of the ability enhancement compulsory course

home environmental change institute - Dec 07 2022

web oxford environmental education rajagopalan 1 9 downloaded from uniport edu ng on july 29 2023 by guest oxford environmental education rajagopalan recognizing

environmental studies by r rajagopalan open library - Jun 13 2023

web apr 3 2023 environmental studies from crisis to cure 2016 oxford university press oxford university press usa in english 0199459754 9780199459759 aaaa not in

oxford environmental education rajagopalan uniport edu ng - Jan 28 2022

web is oxford environmental education rajagopalan below conservation drones serge a wich 2018 this book aims to further build capacity in the conservation community to use