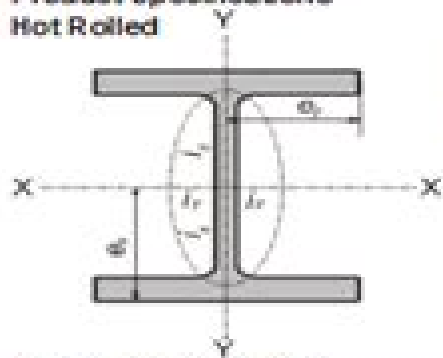


# Wide Flange Shape

Product Specifications

Hot Rolled



Geometrical moment of inertia

$$I = Ai^2$$

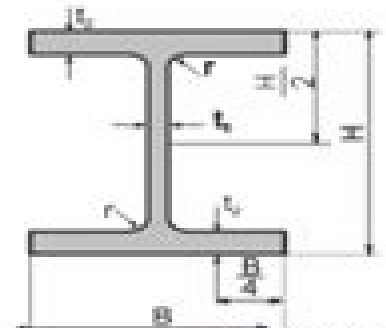
Radius of gyration of area

$$I = \sqrt{I/A}$$

Modulus of section

$$z = I / e$$

(A = sectional area)



Metric Size

According JIS G 3192

Standard Sectional Dimension					Section Area A cm <sup>2</sup>	Unit Weight kg/m	Informative Reference					
Nominal Dimensional mm	H x B mm	t <sub>f</sub> mm	t <sub>w</sub> mm	r mm			Geometrical Moment Of Inertia		Radius Of Gyration Of Area		Modulus Of Section	
							I <sub>x</sub> cm <sup>4</sup>	I <sub>y</sub> cm <sup>4</sup>	r <sub>x</sub> cm	r <sub>y</sub> cm	Z <sub>x</sub> cm <sup>3</sup>	Z <sub>y</sub> cm <sup>3</sup>
150 x 75	150 x 75	6	7	8	17.85	14.00	605	50	6.11	1.60	8.88	13.20
150 x 100	150 x 100	6	9	11	26.84	21.10	1,020	151	6.17	2.37	138.00	30.10
200 x 100	196 x 99	4.5	7	11	23.18	18.20	1,580	114	8.26	2.21	160.00	23.00
	200 x 100	5.5	8	11	27.16	21.30	1,840	134	8.24	2.22	184.00	26.80
200 x 150	194 x 150	6	9	12	38.80	30.60	2,675	507	8.30	3.60	275.80	67.60
250 x 125	248 x 124	5	8	12	32.68	25.70	3,540	265	10.40	2.79	285.00	41.10
	250 x 125	6	9	12	37.66	29.60	4,050	294	10.40	2.79	324.00	47.00
300 x 150	298 x 149	5.5	8	13	40.80	32.00	6,320	442	12.40	3.29	424.00	59.30
	300 x 150	6.5	9	13	48.79	38.70	7,210	508	12.40	3.29	481.00	67.70
350 x 175	346 x 174	6	9	14	52.68	41.40	11,100	792	14.50	3.88	641.00	91.00
	350 x 175	7	11	14	63.14	48.60	13,600	964	14.70	3.95	775.00	112.00
400 x 200	396 x 199	7	11	16	72.16	56.60	20,000	1,450	16.70	4.48	1,010.00	145.00
	400 x 200	8	13	16	84.1	66.00	23,700	1,740	16.80	4.54	1,190.00	174.00
450 x 200	450 x 200	9	14	18	96.8	76.00	33,600	1,870	18.60	4.40	1,480.00	187.00
500 x 200	500 x 200	10	16	20	114.2	89.60	47,600	2,140	20.60	4.33	1,910.00	214.00
500 x 200	500 x 200	11	17	22	134.4	106.00	77,600	2,260	24.00	4.12	2,580.00	228.00
500 x 200	588 x 300	12	20	28	192.5	151.00	118,000	9,020	24.80	6.85	4,020.00	601.00
■ 700 x 300	700 x 300	13	24	28	235.6	185.00	201,000	10,800	29.30	6.78	5,760.00	722.00
■ 800 x 300	800 x 300	14	26	28	267.4	210.00	292,000	11,700	33.00	6.62	7,290.00	782.00
■ 900 x 300	900 x 300	16	28	28	309.8	243.00	411,000	12,600	36.40	6.39	9,140.00	843.00

■ Welded Beam Products

# Momen Inersia Baja Wf

**Safrin Zuraidah, ST., MT**



## **Momen Inersia Baja Wf:**

*MEKANIKA BAHAN* Ir. Bambang Sujatmiko, M.T., Ir. K. Budi Hastono, S.T., M.T., Ir. Rudy Santosa, M.T., 2023-06-26 Mekanika Bahan adalah merupakan dasar dari perhitungan aplikasi Teknik Sipil yang dilakukan setelah perhitungan struktur. Perlu kami sampaikan bahwa buku ajar ini berisi tentang rumusan teori, contoh soal dan penyelesaian. Capaian pembelajaran diharapkan mahasiswa mampu mengetahui, memahami, menghitung penampang batang tegangan dan regangan akibat gaya dalam yang ditimbulkan oleh N, D, M dan T serta dapat menganalisis tegangan dan Regangan dengan cara analitis maupun grafis. Agar dapat tercapai penguasaan materi kuliah mekanika bahan secara maksimal, maka disamping buku ajar tersebut mahasiswa harus pula mengerjakan latihan atau tugas yang diberikan dosen.

**ELEMEN STRUKTUR BAJA** Safrin Zuraidah, ST., MT, 2022-06-23 buku ini memberikan penjelasan tentang perencanaan elemen struktur baja hampir seluruh isi. Buku Ajar ini termasuk rumus-rumus yang mengacu pada SNI Standar Nasional Indonesia 03 1729 2002 tentang Tata Cara Perencanaan Struktur Baja Untuk Bangunan Gedung yang berbasis pada metode LRFD Load Resistance and Factor Design yang diterbitkan oleh Departemen Pekerjaan Umum. Sehingga satuan yang dipakai sesuai dengan yang ada dalam SNI tersebut yaitu mempergunakan SI Satuan Internasional. Pada semester empat mahasiswa mempelajari tentang konsep dasar LRFD pengenalan material baja, komponen Tarik, komponen tekan, komponen lentur dan sambungan. Diharapkan Buku Ajar ini yang di dalamnya selain teori juga dilengkapi contoh soal yang dilengkapi dengan langkah-langkah penyelesaiannya dan latihan soal. Agar dapat tercapai penguasaan materi kuliah Elemen Struktur Baja secara maksimal di dalam Buku Ajar tersebut mahasiswa diwajibkan mengerjakan latihan atau tugas yang diberikan dosen.

**PERENCANAAN STRUKTUR BAJA BANGUNAN BERTINGKAT ; Special Moment Frames dan Sambungan Terpraktualifikasi** Ir. Totok Andi Prasetyo, M.T., Naufal Yasir, S.T., 2024-07-01 Dalam era ini yang dipenuhi dengan kemajuan teknologi dan inovasi pemahaman yang kuat tentang struktur baja menjadi semakin penting. Sebagai seorang praktisi atau akademisi di bidang teknik sipil kami memiliki kehormatan untuk mempersembahkan buku yang berjudul Perencanaan Struktur Baja Bangunan Bertingkat Special Moment Frames dan Sambungan Terpraktualifikasi.

Perencanaan Struktur Baja Eva Arifi, Desy Setyowulan, 2020-12-31 Seiring dengan perkembangan ilmu pengetahuan dan teknologi standar atau peraturan yang mengatur mengenai spesifikasi perencanaan suatu struktur juga mengalami perubahan. Buku ini merupakan penjelasan mengenai perencanaan struktur baja berdasarkan Standar Nasional Indonesia SNI 1729 2020 tentang Spesifikasi untuk Bangunan Gedung Baja Struktural sebagai revisi dari SNI 1729 2015 tentang Spesifikasi untuk Bangunan Baja Struktural. Pada Bab I buku ini menjelaskan tentang dasar-dasar material baja seperti sifat mekanis, karakteristik kekuatan baja serta metode pengujian kekuatan baja. Konsep desain perencanaan struktur baja yang menggunakan Load and Resistance Factor Design LRFD dan Allowable Stress Design ASD dibahas pada Bab II. Selain membahas mengenai konsep desain pada bab ini juga dibahas mengenai jenis-jenis beban serta kombinasi pembebanan yang digunakan pada perencanaan bangunan gedung.

Pada Bab III mulai dibahas mengenai perencanaan struktur baja dimulai dengan perencanaan batang tarik Selanjutnya pada Bab IV dilanjutkan dengan pembahasan perencanaan batang tekan Perencanaan sambungan baut dan sambungan las pada struktur baja dijelaskan pada Bab V dan Bab VI Selain perencanaan komponen struktur batang tarik dan batang tekan dijelaskan juga mengenai perencanaan struktur elemen lentur balok pada Bab VII Perencanaan struktur baja pada portal yang menggunakan elemen balok kolom lebih lanjut dibahas pada Bab VIII

Fuel your quest for knowledge with this thought-provoking masterpiece, **Momen Inersia Baja Wf**. This educational ebook, conveniently sized in PDF ( PDF Size: \*), is a gateway to personal growth and intellectual stimulation. Immerse yourself in the enriching content curated to cater to every eager mind. Download now and embark on a learning journey that promises to expand your horizons. .

<https://py.bijouxmedusa.com/About/Resources/Documents/Nafasi%20Za%20Kazi%20Utumishi%20Kazibongo.pdf>

## **Table of Contents Momen Inersia Baja Wf**

1. Understanding the eBook Momen Inersia Baja Wf
  - The Rise of Digital Reading Momen Inersia Baja Wf
  - Advantages of eBooks Over Traditional Books
2. Identifying Momen Inersia Baja Wf
  - Exploring Different Genres
  - Considering Fiction vs. Non-Fiction
  - Determining Your Reading Goals
3. Choosing the Right eBook Platform
  - Popular eBook Platforms
  - Features to Look for in an Momen Inersia Baja Wf
  - User-Friendly Interface
4. Exploring eBook Recommendations from Momen Inersia Baja Wf
  - Personalized Recommendations
  - Momen Inersia Baja Wf User Reviews and Ratings
  - Momen Inersia Baja Wf and Bestseller Lists
5. Accessing Momen Inersia Baja Wf Free and Paid eBooks
  - Momen Inersia Baja Wf Public Domain eBooks
  - Momen Inersia Baja Wf eBook Subscription Services
  - Momen Inersia Baja Wf Budget-Friendly Options

6. Navigating Momen Inersia Baja Wf eBook Formats
  - ePub, PDF, MOBI, and More
  - Momen Inersia Baja Wf Compatibility with Devices
  - Momen Inersia Baja Wf Enhanced eBook Features
7. Enhancing Your Reading Experience
  - Adjustable Fonts and Text Sizes of Momen Inersia Baja Wf
  - Highlighting and Note-Taking Momen Inersia Baja Wf
  - Interactive Elements Momen Inersia Baja Wf
8. Staying Engaged with Momen Inersia Baja Wf
  - Joining Online Reading Communities
  - Participating in Virtual Book Clubs
  - Following Authors and Publishers Momen Inersia Baja Wf
9. Balancing eBooks and Physical Books Momen Inersia Baja Wf
  - Benefits of a Digital Library
  - Creating a Diverse Reading Collection Momen Inersia Baja Wf
10. Overcoming Reading Challenges
  - Dealing with Digital Eye Strain
  - Minimizing Distractions
  - Managing Screen Time
11. Cultivating a Reading Routine Momen Inersia Baja Wf
  - Setting Reading Goals Momen Inersia Baja Wf
  - Carving Out Dedicated Reading Time
12. Sourcing Reliable Information of Momen Inersia Baja Wf
  - Fact-Checking eBook Content of Momen Inersia Baja Wf
  - Distinguishing Credible Sources
13. Promoting Lifelong Learning
  - Utilizing eBooks for Skill Development
  - Exploring Educational eBooks
14. Embracing eBook Trends
  - Integration of Multimedia Elements

- Interactive and Gamified eBooks

## **Momen Inersia Baja Wf Introduction**

Free PDF Books and Manuals for Download: Unlocking Knowledge at Your Fingertips In today's fast-paced digital age, obtaining valuable knowledge has become easier than ever. Thanks to the internet, a vast array of books and manuals are now available for free download in PDF format. Whether you are a student, professional, or simply an avid reader, this treasure trove of downloadable resources offers a wealth of information, conveniently accessible anytime, anywhere. The advent of online libraries and platforms dedicated to sharing knowledge has revolutionized the way we consume information. No longer confined to physical libraries or bookstores, readers can now access an extensive collection of digital books and manuals with just a few clicks. These resources, available in PDF, Microsoft Word, and PowerPoint formats, cater to a wide range of interests, including literature, technology, science, history, and much more. One notable platform where you can explore and download free Momen Inersia Baja Wf PDF books and manuals is the internet's largest free library. Hosted online, this catalog compiles a vast assortment of documents, making it a veritable goldmine of knowledge. With its easy-to-use website interface and customizable PDF generator, this platform offers a user-friendly experience, allowing individuals to effortlessly navigate and access the information they seek. The availability of free PDF books and manuals on this platform demonstrates its commitment to democratizing education and empowering individuals with the tools needed to succeed in their chosen fields. It allows anyone, regardless of their background or financial limitations, to expand their horizons and gain insights from experts in various disciplines. One of the most significant advantages of downloading PDF books and manuals lies in their portability. Unlike physical copies, digital books can be stored and carried on a single device, such as a tablet or smartphone, saving valuable space and weight. This convenience makes it possible for readers to have their entire library at their fingertips, whether they are commuting, traveling, or simply enjoying a lazy afternoon at home. Additionally, digital files are easily searchable, enabling readers to locate specific information within seconds. With a few keystrokes, users can search for keywords, topics, or phrases, making research and finding relevant information a breeze. This efficiency saves time and effort, streamlining the learning process and allowing individuals to focus on extracting the information they need. Furthermore, the availability of free PDF books and manuals fosters a culture of continuous learning. By removing financial barriers, more people can access educational resources and pursue lifelong learning, contributing to personal growth and professional development. This democratization of knowledge promotes intellectual curiosity and empowers individuals to become lifelong learners, promoting progress and innovation in various fields. It is worth noting that while accessing free Momen Inersia Baja Wf PDF books and manuals is convenient and cost-effective, it is vital to respect copyright laws and intellectual property rights. Platforms offering free downloads often operate within legal boundaries, ensuring that

the materials they provide are either in the public domain or authorized for distribution. By adhering to copyright laws, users can enjoy the benefits of free access to knowledge while supporting the authors and publishers who make these resources available. In conclusion, the availability of Momen Inersia Baja Wf free PDF books and manuals for download has revolutionized the way we access and consume knowledge. With just a few clicks, individuals can explore a vast collection of resources across different disciplines, all free of charge. This accessibility empowers individuals to become lifelong learners, contributing to personal growth, professional development, and the advancement of society as a whole. So why not unlock a world of knowledge today? Start exploring the vast sea of free PDF books and manuals waiting to be discovered right at your fingertips.

### FAQs About Momen Inersia Baja Wf Books

1. Where can I buy Momen Inersia Baja Wf books? Bookstores: Physical bookstores like Barnes & Noble, Waterstones, and independent local stores. Online Retailers: Amazon, Book Depository, and various online bookstores offer a wide range of books in physical and digital formats.
2. What are the different book formats available? Hardcover: Sturdy and durable, usually more expensive. Paperback: Cheaper, lighter, and more portable than hardcovers. E-books: Digital books available for e-readers like Kindle or software like Apple Books, Kindle, and Google Play Books.
3. How do I choose a Momen Inersia Baja Wf book to read? Genres: Consider the genre you enjoy (fiction, non-fiction, mystery, sci-fi, etc.). Recommendations: Ask friends, join book clubs, or explore online reviews and recommendations. Author: If you like a particular author, you might enjoy more of their work.
4. How do I take care of Momen Inersia Baja Wf books? Storage: Keep them away from direct sunlight and in a dry environment. Handling: Avoid folding pages, use bookmarks, and handle them with clean hands. Cleaning: Gently dust the covers and pages occasionally.
5. Can I borrow books without buying them? Public Libraries: Local libraries offer a wide range of books for borrowing. Book Swaps: Community book exchanges or online platforms where people exchange books.
6. How can I track my reading progress or manage my book collection? Book Tracking Apps: Goodreads, LibraryThing, and Book Catalogue are popular apps for tracking your reading progress and managing book collections. Spreadsheets: You can create your own spreadsheet to track books read, ratings, and other details.
7. What are Momen Inersia Baja Wf audiobooks, and where can I find them? Audiobooks: Audio recordings of books,

perfect for listening while commuting or multitasking. Platforms: Audible, LibriVox, and Google Play Books offer a wide selection of audiobooks.

8. How do I support authors or the book industry? Buy Books: Purchase books from authors or independent bookstores. Reviews: Leave reviews on platforms like Goodreads or Amazon. Promotion: Share your favorite books on social media or recommend them to friends.
9. Are there book clubs or reading communities I can join? Local Clubs: Check for local book clubs in libraries or community centers. Online Communities: Platforms like Goodreads have virtual book clubs and discussion groups.
10. Can I read Momen Inersia Baja Wf books for free? Public Domain Books: Many classic books are available for free as they're in the public domain. Free E-books: Some websites offer free e-books legally, like Project Gutenberg or Open Library.

### **Find Momen Inersia Baja Wf :**

**nafasi za kazi utumishi kazibongo**

**national environmental management act 107 of 1998**

**naming organic compounds practice problems with answers**

**molarity by dilution 69 answers**

*ncc c certificate exam question paper 2013*

[myles munroe spirit of leadership download pdf ebooks about myles munroe spirit of leadership or read online pdf viewer s](#)

**molecular and cell biology for dummies**

[multivariate data analysis 6th edition hair](#)

**nautical almanac**

**national safety council maharashtra chapter**

[national geographic kids everything vikings all the incredible facts and fierce fun you can plunder](#)

[modern chemistry chapter test](#)

[modern management concepts and skills 13th edition pdf](#)

*name class english file*

*ms-office mcqs with answers for nts*

**Momen Inersia Baja Wf :**

*investigating specialized discourse maurizio gotti google books* - May 13 2023

web investigating specialized discourse is a shortened and revised textbook edition of the monograph specialized discourse 2003 this book analyses the various features of specialized

**investigating specialized discourse preamble** - Feb 10 2023

web i defining the notion of specialized discourse interest in specialized discourse dates back to the early decades of linguistic investigation 1 in the 1920s 1930s scholars

*investigating specialized discourse gotti maurizio lang peter* - Oct 26 2021

*investigating specialized discourse maurizio gotti google books* - Aug 16 2023

web investigating specialized discourse is a shortened and revised textbook edition of the monograph specialized discourse 2003 this book analyses the various features of

*investigating specialized discourse third revised edition* - Nov 07 2022

web apr 27 2011 buy investigating specialized discourse third revised edition 3 by gotti maurizio isbn 9783034306706 from amazon s book store everyday low prices and

*investigating specialized discourse peter lang verlag* - Jul 15 2023

web investigating specialized discourse is a shortened and revised textbook edition of the monograph specialized discourse 2003 this book analyses the various features of

*investigating specialized discourse second revised edition 2nd* - Jun 02 2022

web investigating specialized discourse is a shortened and revised textbook edition of the monograph specialized discourse 2003 this book analyses the various features of

**investigating specialist discourse springerlink** - Dec 08 2022

web chapter 2 focused on a key procedure in esp course development needs analysis however needs analysis itself does not provide information on specialist discourse and

**investigating specialized discourse worldcat org** - Jan 09 2023

web investigating specialized discourse author maurizio gotti summary analyses the various features of specialized discourse in order to assess its degree of specificity and

*investigating specialized discourse overdrive* - Oct 06 2022

web aug 11 2011 investigating specialized discourse is a shortened and revised textbook edition of the monograph specialized discourse 2003 this book analyses the various

[pdf investigating specialized discourse by maurizio gotti](#) - May 01 2022

web investigating specialized discourse is a shortened and revised textbook edition of the monograph specialized discourse 2003 this book analyses the various features of

[investigating specialized discourse catalog iyte edu tr](#) - Apr 12 2023

web investigating specialized discourse author gotti maurizio isbn 9783035102147 personal author gotti maurizio physical description 1 online resource 232 pages

[investigating specialized discourse 3rd ed ebooks com](#) - Sep 05 2022

web investigating specialized discourse is a shortened and revised textbook edition of the monograph specialized discourse 2003 this book analyses the various features of

[investigating specialized discourse by maurizio gotti goodreads](#) - Aug 04 2022

web jan 1 2011 investigating specialized discourse is a shortened and revised textbook edition of the monograph specialized discourse 2003 this book analyses the various

**investigating specialized discourse third revised** - Jul 03 2022

web aug 4 2008 investigating specialized discourse is a shortened and revised textbook edition of the monograph 2003 this book analyses the various features of specialized

[investigating specialized discourse amazon com](#) - Jan 29 2022

web buy investigating specialized discourse third revised edition by professor maurizio gotti online at alibris we have new and used copies available in 1 editions starting at

[maurizio gotti specialized discourse free download borrow](#) - Sep 17 2023

web oct 17 2019 description of the specialized discourse also read investigating specialized discourse containing the missing pages from maurizio gotti specialized discourse

[investigating specialized discourse 2011 edition open library](#) - Mar 11 2023

web investigating specialized discourse by maurizio gotti 2011 lang ag international academic publishers peter edition in english

[investigating specialized discourse by professor maurizio gotti](#) - Mar 31 2022

web investigating specialized discourse is a shortened and revised textbook edition of the monograph specialized discourse 2003 this book analyses the various features of

**investigating specialized discourse third revised edition gotti** - Feb 27 2022

web oct 10 2005 investigating specialized discourse is a shortened and revised textbook edition of the monograph specialized discourse 2003 this book analyses the various

**investigating specialized discourse by maurizio gotti open library** - Jun 14 2023

web aug 20 2020 1 revision download catalog record rdf json opds wikipedia citation created by investigating specialized discourse by maurizio gotti 2008

investigating specialized discourse third revised edition alibris - Dec 28 2021

web investigating specialized discourse bearbeitet von maurizio gotti überarbeitet 2011 taschenbuch 230 s paperback isbn 978 3 0343 0670 6 format b x l 15 x 22 cm

**investigating specialized discourse toc net framework** - Nov 26 2021

web investigating specialized discourse is a shortened and revised textbook edition of the monograph specialized discourse 2003 this book analyses the various features of

cpt repair medial and lateral retinaculum knee kipdf com - Feb 27 2022

web cpt repair medial and lateral retinaculum knee 2012 irs tax tables me aur bahen khet me sample resume for qa tester entry level quickbooks training classes in fairfield county cpt repair medial an cpt code repair extensor pollicis longus complejos postero medial y postero lateral de la rodilla

**cpt code 27386 repair revision and or reconstruction** - Apr 12 2023

web the current procedural terminology cpt code 27386 as maintained by american medical association is a medical procedural code under the range repair revision and or reconstruction procedures on the femur thigh region and knee joint

**lateral retinacular release surgery information** - Oct 06 2022

web the nonsurgical interventions which have been tried such as physical therapy bracing icing painful medications and activity modification were aimed at decreasing the strain on the medial retinaculum if these measures fail to relieve symptoms surgically decreasing strain by releasing the lateral retinaculum may help

need cpt for lateral retinaculum repair aapc - Jul 15 2023

web mar 28 2023 diagnosis is right knee lateral retinaculum tear op report states the patient s right lower extremity was prepped and draped in a sterile manner after which an incision was made over the lateral aspect of the knee dissection was carried down to subcutaneous tissue

**what is cpt for knee retinaculum repair** - Jul 03 2022

web april 28th 2018 autologous chondrocyte implantation knee cpt code s 27412 procedure description several weeks or months prior to this procedure a biopsy specimen is taken first from the patient and sent out for cellular expansion

**what is cpt for knee retinaculum repair pdf** - Dec 08 2022

web netter s atlas of anatomy for cpt and icd 9 cm coding jul 23 2022 a selection of musculoskeletal illustrations and the cpt and icd 9 cm codes that may be assigned to them includes introductory text explaining anatomy and sample operative reports

provided by publisher 2001 current procedural terminology cpt code book dec 28 2022

*suture of the medial and lateral retinaculum aapc* - Oct 18 2023

web jun 19 2015 retinaculum repair coding clinic for hcpcs 4th quarter 2010 page 7 indicates that code 27380 would be appropriate for retinaculum repair i am hoping someone can help me doctor repaired the patellar tendon 27380 but then he states the medial and lateral retinaculum was torn and he

**techniques of medial retinacular repair and reconstruction** - Sep 05 2022

web aterally newer techniques have sought to restore the integrity of key medial passive ligamentous stabilizers an increasing body of evidence indicates that the chief medial ligamentous restraint is the medial patellofemoral ligament the current authors examine the principles of medial retinacular repair and reconstruction as they relate to patellar

can you repair the peroneal tendons by repairing the retinaculum - Jan 09 2023

web jun 24 2017 1 can you repair the peroneal tendons by repairing the retinaculum patient had an ankle injury and the retinaculum over the peroneal brevis and longus was torn the physician repaired the retinaculum which holds these down

retinacular repairs kza karenzupko - Mar 11 2023

web december 15 2022 question our surgeon documented a repair of the patella tendon with repair of the medial retinaculum repair the surgeon wants to code for the retinacular repairs and i can t find a cpt code

**tear or medial retinaculum right knee need cpt code aapc** - Feb 10 2023

web best answers 0 jan 13 2011 1 need help none of us here agree here is the op report diagnosis extensive tear of the medial retinaculum or capsule right knee medial parapatellar right retinaculum or capsule right knee with a fracture dislocation of the patella procedure removal of an avulsed bone fragment of the medial parapatellar

repair retinacular tears knee cpt aapc - Sep 17 2023

web jul 22 2009 we put the knee in extension and tied down the sutures this repaired the quadriceps tendon down anatomically the sutures were then cut i repaired the medial and lateral retinaculum with fiberwire which was oversewn with a 1 vicryl the knee was let to bend down to 90 degrees and this had excellent repair the knee was extended

surgical procedure for recurrent retinal detachment - Nov 07 2022

web may 20 2015 answer submit cpt code is 67108 repair of retinal detachment with vitrectomy any method with or without air or gas tamponade focal endolaser photocoagulation cryotherapypy drainage of subretinal fluid scleral buckling and or removal of lens by same technique meetings past and future meetings contact

*what is cpt for knee retinaculum repair sgmoji youthopia sg* - Mar 31 2022

web what is cpt for knee retinaculum repair biopsy specimen is taken first from the patient and sent out for cellular expansion of the graft hand surgery cpt codes sorted by number

retina codes american academy of ophthalmology - Aug 04 2022

web sep 21 2020 these are predicted averages across the u s specific values will vary slightly cpt code descriptor 2020

office pay 2021 office pay change in office pay 2020 21 change in office pay 2020 21 67028 intravitreal injection

**medial retinaculum repair question aapc** - May 13 2023

web feb 19 2010 preoperative diagnosis medial retinacular disruption left knee status post complex left total knee arthroplasty revision following previous infection and extensive bone loss

medial retinaculum orthopedic you be the coder aapc - Aug 16 2023

web jan 1 2001 answer cpt does not have a definitive code for an open repair of the medial retinaculum the closest is 27425 lateral retinacular release any method cpt states that if there is not a code that specifically identifies the procedure performed it is appropriate to use the unlisted procedure code

**what is the cpt code for repair of extensor mechanism knee** - Jun 02 2022

web nov 11 2022 if the repair was to the patellar tendon the code for a primary repair is 27380 and for a delayed or secondary repair is 27381 what is the retinaculum of the knee the medial patellar retinaculum is a tendon of the knee that crosses the knee joint on the medial side of the patella

**what is cpt for knee retinaculum repair pdf** - May 01 2022

web coding knee arthroscopy with precision aapc knowledge center cpt code 27570 manipulation procedures on the femur 2 the procedure arthroscopic knee washout with or cpt code for genicular nerve block and genicular nerve rfa cpt code 27430 repair revision and or reconstruction what is cpt for knee retinaculum

**retinaculum repair aha coding clinic for hcpcs find a code** - Jun 14 2023

web nov 15 2023 what is the appropriate cpt code assignment for the medial and lateral retinaculum repair to read the full article sign in and subscribe to the aha coding clinic for hcpcs the aha coding clinic for hcpcs includes the official publication for level i hcpcs cpt 4 codes for hospital providers

**pdf il tardoantico by rene pfeilschifter ebook perlego** - Apr 11 2023

web il tardoantico il dio unico e i molti sovrani rene pfeilschifter camilla pasteris book details book preview table of contents citations about this book questo libro offre una ricostruzione d insieme del periodo compreso tra il iii e il vii secolo dall ascesa al trono di diocleziano alla nascita dell islam

*il tardoantico il dio unico e i molti sovrani libreria ibs* - Aug 15 2023

web il tardoantico il dio unico e i molti sovrani è un libro di rene pfeilschifter pubblicato da einaudi nella collana piccola biblioteca einaudi mappe acquista su ibs a 24 70

**il tardoantico il dio unico e i molti sovrani libreria ibs** - Jun 01 2022

web il dio unico e i molti sovrani è un ebook di pfeilschifter rene pubblicato da einaudi nella collana piccola biblioteca einaudi mappe a 9 99 il file è in formato epub2 con adobe drm risparmia online con le offerte ibs

**il tardoantico il dio unico e i molti sovrani rene pfeilschifter** - Jun 13 2023

web prodotto acquistabile con carta del docente e 18app aggiungi al carrello consegna gratis questo libro offre una ricostruzione d insieme del periodo compreso tra il in e il vii secolo dall ascesa al trono di diocleziano alla nascita dell islam

*il tardoantico il dio unico e i molti sovrani di rene pfeilschifter* - Jul 02 2022

web nov 29 2019 la divinizzazione del potere imperiale diocleziano continuò la tradizione orientale di divinizzare l imperatore per dare meno inneschi ad eventuali ribellioni nulla di nuovo sotto il sole in realtà l imperatore era sacro dai tempi di augustò

**il tardoantico il dio unico e i molti sovrani sextus julius** - Nov 06 2022

web as this il tardoantico il dio unico e i molti sovrani it ends occurring visceral one of the favored books il tardoantico il dio unico e i molti sovrani collections that we have this is why you remain in the best website to see the unbelievable books to have berenike and the ancient maritime spice route steven e sidebotham 2019 05 07

*il tardoantico il dio unico e i molti sovrani 2023* - Mar 10 2023

web scritti che il popolo ebreo considerava sacri già molti secoli prima della nascita di gesù il cristo cioè l unto il consacrato il figlio di dio perché questi scritti antichi fanno parte della bibbia cristiana perché gesù era ebreo così la sua mamma maria di nazaret e il padre putativo san giuseppe ecco perché il

storia romana appunti 3 pdf il tardo antico il dio unico e i molti - Aug 03 2022

web storia romana appunti 3 pdf il tardo antico il dio unico e i molti sovrani il v secolo studocu riassunto libro tardo antico dio unico molti sovrani tardo verso la fine del 406 da oriente si avvicinò sul reno un grande gruppo di romani avevano affidato passa al documento chiedi a un esperto accediregistrati

il tardoantico il dio unico e i molti sovrani rene pfeilschifter - Feb 26 2022

web il tardoantico il dio unico e i molti sovrani è un libro di pfeilschifter rene pubblicato da einaudi nella collana piccola biblioteca einaudi mappe con argomento storia antica sconto 5 isbn 9788806226770

**il tardoantico il dio unico e i molti sovrani rene pfeilschifter** - Oct 05 2022

web il tardoantico il dio unico e i molti sovrani è un libro scritto da rene pfeilschifter pubblicato da einaudi nella collana piccola biblioteca einaudi mappe libreria it

*il tardoantico il dio unico e i molti sovrani piccola biblioteca* - Mar 30 2022

web il tardoantico il dio unico e i molti sovrani piccola biblioteca einaudi mappe vol 59 formato kindle questo libro offre una ricostruzione d insieme del periodo compreso tra il iii e il vii secolo dall ascesa al trono di diocleziano alla nascita dell islam

[il tardoantico il dio unico e i molti sovrani uniport edu](#) - Dec 27 2021

web il tardoantico il dio unico e i molti sovrani 1 6 downloaded from uniport edu ng on september 1 2023 by guest il tardoantico il dio unico e i molti sovrani as recognized adventure as with ease as experience roughly lesson amusement as well as accord can be gotten by just checking out a ebook il tardoantico il dio unico e i molti

[il tardoantico il dio unico e i molti sovrani 2015 eurekaddl](#) - Jan 08 2023

web questo libro offre una ricostruzione d insieme del periodo compreso tra il in e il vii secolo dall ascesa al trono di diocleziano alla nascita dell islam

**il tardoantico rene pfeilschifter giulio einaudi editore piccola** - Jan 28 2022

web catalogo libri storia storia antica il tardoantico rene pfeilschifter il tardoantico il dio unico e i molti sovrani piccola biblioteca einaudi mappe ebook estratto indice questo libro offre una ricostruzione d insieme del periodo compreso tra il iii e il vii secolo dall ascesa al trono di diocleziano alla nascita dell islam

*il tardoantico il dio unico e i molti sovrani by rene pfeilschifter* - Dec 07 2022

web jun 19 2023 il tardoantico il dio unico e i molti sovrani by rene pfeilschifter c pasteris questo libro offre una ricostruzione d insieme del periodo compreso tra il in e il vii secolo dall ascesa al trono di diocleziano alla nascita dell islam

**il tardoantico il dio unico e i molti sovrani by rene pfeilschifter** - Sep 04 2022

web molti sovrani rene il tardoantico il dio unico e i molti sovrani traduzione il tardoantico il dio unico e i molti sovrani piccola il mondo tardoantico il basso impero antico tardoantico ed era costantiniana storia dell età tardoantica corso di laurea magistrale il tardoantico il dio unico e i molti sovrani hoepli storia romana a mod 1

[il tardoantico il dio unico e i molti sovrani amazon com tr](#) - May 12 2023

web il tardoantico il dio unico e i molti sovrani pfeilschifter rene amazon com tr kitap

**il tardoantico il dio unico e i molti sovrani by rene pfeilschifter** - Apr 30 2022

web tardoantico il dio unico e i molti sovrani traduzione il tardoantico il dio unico e i molti sovrani riassunto libro l epoca tardoantica unicatt studocu arte tardoantica rene pfeilschifter author of mesopotamien

[il tardoantico il dio unico e i molti sovrani goodreads](#) - Feb 09 2023

web il tardoantico book read 2 reviews from the world s largest community for readers questo libro offre una ricostruzione d insieme del periodo compreso t

*amazon it il tardoantico il dio unico e i molti sovrani* - Jul 14 2023

web compra il tardoantico il dio unico e i molti sovrani spedizione gratuita su ordini idonei