

value.

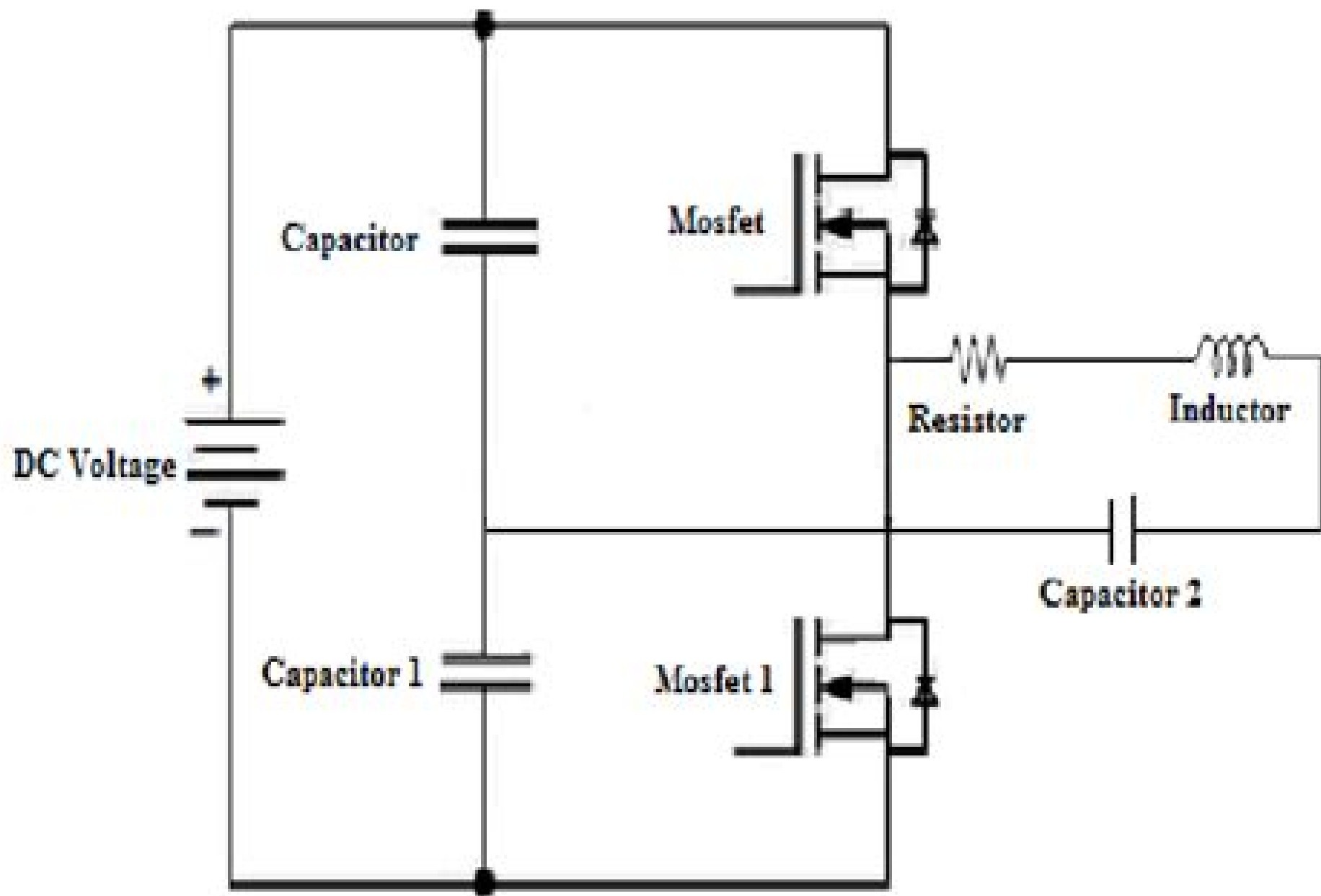


Figure 2: MOSFET based half bridge series resonant circuit

Mosfet Based High Frequency Inverter For Induction Heating

Jitendra Kumar, Premalata Jena



Mosfet Based High Frequency Inverter For Induction Heating:

Thermal Energy Yatish T. Shah,2018-01-12 The book details sources of thermal energy methods of capture and applications It describes the basics of thermal energy including measuring thermal energy laws of thermodynamics that govern its use and transformation modes of thermal energy conventional processes devices and materials and the methods by which it is transferred It covers 8 sources of thermal energy combustion fusion solar fission nuclear geothermal microwave plasma waste heat and thermal energy storage In each case the methods of production and capture and its uses are described in detail It also discusses novel processes and devices used to improve transfer and transformation processes

Recent Advances in Power Electronics and Drives Jitendra Kumar,Premalata Jena,2020-12-03 This book presents select proceedings of the Electric Power and Renewable Energy Conference 2020 EPREC 2020 It provides rigorous discussions case studies and recent developments in the emerging areas of power electronics especially power inverter and converter electrical drives regulated power supplies operation of FACTS HVDC etc The readers would be benefited in enhancing their knowledge and skills in these domain areas The book will be a valuable reference for beginners researchers and professionals interested in advancements in power electronics and drives

Cognitive Informatics and Soft Computing Pradeep Kumar Mallick,Valentina Emilia Balas,Akash Kumar Bhoi,Gyoo-Soo Chae,2020-01-14 The book presents new approaches and methods for solving real world problems It highlights in particular innovative research in the fields of Cognitive Informatics Cognitive Computing Computational Intelligence Advanced Computing and Hybrid Intelligent Models and Applications New algorithms and methods in a variety of fields are presented together with solution based approaches The topics addressed include various theoretical aspects and applications of Computer Science Artificial Intelligence Cybernetics Automation Control Theory and Software Engineering

Reliability of CMOS Analog ICs Hakan Kuntman,Deniz Özenli,Fırat Kaçar,Yasin Özçelep,2025-07-14 This book presents recent advances in reliability investigation of MOS transistors and their applications Theory and experimental results are discussed in order to demonstrate the efficacy of the techniques presented Readers will be enabled to improve their designs in application areas of analog signal processing ranging from very low frequencies at several Hz levels of biomedical signals to RF applications operating at GHz level from EEG signals to cognitive radio and encrypted communications or low noise amplifiers in wireless communications

Wide Bandgap Semiconductors for Power Electronics Peter Wellmann,Noboru Ohtani,Roland Rupp,2021-09-28 Wide Bandgap Semiconductors for Power Electronic A guide to the field of wide bandgap semiconductor technology Wide Bandgap Semiconductors for Power Electronics is a comprehensive and authoritative guide to wide bandgap materials silicon carbide gallium nitride diamond and gallium III oxide With contributions from an international panel of experts the book offers detailed coverage of the growth of these materials their characterization and how they are used in a variety of power electronics devices such as transistors and diodes and in the areas of quantum information and hybrid electric vehicles The

book is filled with the most recent developments in the burgeoning field of wide bandgap semiconductor technology and includes information from cutting edge semiconductor companies as well as material from leading universities and research institutions By taking both scholarly and industrial perspectives the book is designed to be a useful resource for scientists academics and corporate researchers and developers This important book Presents a review of wide bandgap materials and recent developments Links the high potential of wide bandgap semiconductors with the technological implementation capabilities Offers a unique combination of academic and industrial perspectives Meets the demand for a resource that addresses wide bandgap materials in a comprehensive manner Written for materials scientists semiconductor physicists electrical engineers

Wide Bandgap Semiconductors for Power Electronics provides a state of the art guide to the technology and application of SiC and related wide bandgap materials

IECON '90: Signal processing and system control. Factory automation ,1990

Advances in Mechatronics, Automation and Applied Information Technologies Q. Lu,C.G. Zhang,2013-11-21 Selected peer reviewed papers from the 2013 International Conference on Mechatronics and Semiconductor Materials ICMSCM 2013 September 28 29 2013 Xi an China

Proceedings of the ... Annual Conference of the IEEE Industrial Electronics Society IEEE Industrial Electronics Society. Conference,2004

IECON. ,1990

Solar Technologies for the 21st Century Anco S. Blazev,2021-01-07 This book examines solar technologies describes their properties and evaluates the technological potential of each It also reviews the logistics of deploying solar energy as a viable and sustainable way to solve urgent energy environmental and socio economic problems Topics discussed include solar power generation today s solar technologies solar thermal silicon PV thin PV 3 D solar cells nano PV organic solar cells solar successes and failures solar power fields finance and regulations solar markets and solar energy and the environment

Journal of the Institution of Engineers (India). ,2001

Power Electronics and Applications ,1993

Fifth European Conference on Power Electronics and Applications: Electronic power supply systems ,1993

Fifth European Conference on Power Electronics and Applications Institution of Electrical Engineers,1993

Japanese Power Electronics Inverter Technology and Its Impact on the American Air Conditioning Industry Kenji Ushimaru,1990

Japanese Technical Abstracts ,1987

Memoirs of the Faculty of Engineering, Kobe University Kōbe Daigaku. Kōgakubu,1992

Electrical & Electronics Abstracts ,1997

Science Abstracts ,1995

IAS '98 IEEE Industry Applications Society. Meeting,1998

Immerse yourself in the artistry of words with Experience Art with its expressive creation, **Mosfet Based High Frequency Inverter For Induction Heating** . This ebook, presented in a PDF format (Download in PDF: *), is a masterpiece that goes beyond conventional storytelling. Indulge your senses in prose, poetry, and knowledge. Download now to let the beauty of literature and artistry envelop your mind in a unique and expressive way.

https://py.bijouxmedusa.com/book/browse/default.aspx/United_States_86_2177_Blog_Monetization_For_Beginners_For_Startups.pdf

Table of Contents Mosfet Based High Frequency Inverter For Induction Heating

1. Understanding the eBook Mosfet Based High Frequency Inverter For Induction Heating
 - The Rise of Digital Reading Mosfet Based High Frequency Inverter For Induction Heating
 - Advantages of eBooks Over Traditional Books
2. Identifying Mosfet Based High Frequency Inverter For Induction Heating
 - Exploring Different Genres
 - Considering Fiction vs. Non-Fiction
 - Determining Your Reading Goals
3. Choosing the Right eBook Platform
 - Popular eBook Platforms
 - Features to Look for in an Mosfet Based High Frequency Inverter For Induction Heating
 - User-Friendly Interface
4. Exploring eBook Recommendations from Mosfet Based High Frequency Inverter For Induction Heating
 - Personalized Recommendations
 - Mosfet Based High Frequency Inverter For Induction Heating User Reviews and Ratings
 - Mosfet Based High Frequency Inverter For Induction Heating and Bestseller Lists
5. Accessing Mosfet Based High Frequency Inverter For Induction Heating Free and Paid eBooks
 - Mosfet Based High Frequency Inverter For Induction Heating Public Domain eBooks
 - Mosfet Based High Frequency Inverter For Induction Heating eBook Subscription Services

- Mosfet Based High Frequency Inverter For Induction Heating Budget-Friendly Options
- 6. Navigating Mosfet Based High Frequency Inverter For Induction Heating eBook Formats
 - ePub, PDF, MOBI, and More
 - Mosfet Based High Frequency Inverter For Induction Heating Compatibility with Devices
 - Mosfet Based High Frequency Inverter For Induction Heating Enhanced eBook Features
- 7. Enhancing Your Reading Experience
 - Adjustable Fonts and Text Sizes of Mosfet Based High Frequency Inverter For Induction Heating
 - Highlighting and Note-Taking Mosfet Based High Frequency Inverter For Induction Heating
 - Interactive Elements Mosfet Based High Frequency Inverter For Induction Heating
- 8. Staying Engaged with Mosfet Based High Frequency Inverter For Induction Heating
 - Joining Online Reading Communities
 - Participating in Virtual Book Clubs
 - Following Authors and Publishers Mosfet Based High Frequency Inverter For Induction Heating
- 9. Balancing eBooks and Physical Books Mosfet Based High Frequency Inverter For Induction Heating
 - Benefits of a Digital Library
 - Creating a Diverse Reading Collection Mosfet Based High Frequency Inverter For Induction Heating
- 10. Overcoming Reading Challenges
 - Dealing with Digital Eye Strain
 - Minimizing Distractions
 - Managing Screen Time
- 11. Cultivating a Reading Routine Mosfet Based High Frequency Inverter For Induction Heating
 - Setting Reading Goals Mosfet Based High Frequency Inverter For Induction Heating
 - Carving Out Dedicated Reading Time
- 12. Sourcing Reliable Information of Mosfet Based High Frequency Inverter For Induction Heating
 - Fact-Checking eBook Content of Mosfet Based High Frequency Inverter For Induction Heating
 - Distinguishing Credible Sources
- 13. Promoting Lifelong Learning
 - Utilizing eBooks for Skill Development
 - Exploring Educational eBooks
- 14. Embracing eBook Trends

- Integration of Multimedia Elements
- Interactive and Gamified eBooks

Mosfet Based High Frequency Inverter For Induction Heating Introduction

In today's digital age, the availability of Mosfet Based High Frequency Inverter For Induction Heating books and manuals for download has revolutionized the way we access information. Gone are the days of physically flipping through pages and carrying heavy textbooks or manuals. With just a few clicks, we can now access a wealth of knowledge from the comfort of our own homes or on the go. This article will explore the advantages of Mosfet Based High Frequency Inverter For Induction Heating books and manuals for download, along with some popular platforms that offer these resources. One of the significant advantages of Mosfet Based High Frequency Inverter For Induction Heating books and manuals for download is the cost-saving aspect. Traditional books and manuals can be costly, especially if you need to purchase several of them for educational or professional purposes. By accessing Mosfet Based High Frequency Inverter For Induction Heating versions, you eliminate the need to spend money on physical copies. This not only saves you money but also reduces the environmental impact associated with book production and transportation. Furthermore, Mosfet Based High Frequency Inverter For Induction Heating books and manuals for download are incredibly convenient. With just a computer or smartphone and an internet connection, you can access a vast library of resources on any subject imaginable. Whether you're a student looking for textbooks, a professional seeking industry-specific manuals, or someone interested in self-improvement, these digital resources provide an efficient and accessible means of acquiring knowledge. Moreover, PDF books and manuals offer a range of benefits compared to other digital formats. PDF files are designed to retain their formatting regardless of the device used to open them. This ensures that the content appears exactly as intended by the author, with no loss of formatting or missing graphics. Additionally, PDF files can be easily annotated, bookmarked, and searched for specific terms, making them highly practical for studying or referencing. When it comes to accessing Mosfet Based High Frequency Inverter For Induction Heating books and manuals, several platforms offer an extensive collection of resources. One such platform is Project Gutenberg, a nonprofit organization that provides over 60,000 free eBooks. These books are primarily in the public domain, meaning they can be freely distributed and downloaded. Project Gutenberg offers a wide range of classic literature, making it an excellent resource for literature enthusiasts. Another popular platform for Mosfet Based High Frequency Inverter For Induction Heating books and manuals is Open Library. Open Library is an initiative of the Internet Archive, a non-profit organization dedicated to digitizing cultural artifacts and making them accessible to the public. Open Library hosts millions of books, including both public domain works and contemporary titles. It also allows users to borrow digital copies of certain books for a limited period, similar to a library lending system. Additionally, many universities and educational institutions

have their own digital libraries that provide free access to PDF books and manuals. These libraries often offer academic texts, research papers, and technical manuals, making them invaluable resources for students and researchers. Some notable examples include MIT OpenCourseWare, which offers free access to course materials from the Massachusetts Institute of Technology, and the Digital Public Library of America, which provides a vast collection of digitized books and historical documents. In conclusion, Mosfet Based High Frequency Inverter For Induction Heating books and manuals for download have transformed the way we access information. They provide a cost-effective and convenient means of acquiring knowledge, offering the ability to access a vast library of resources at our fingertips. With platforms like Project Gutenberg, Open Library, and various digital libraries offered by educational institutions, we have access to an ever-expanding collection of books and manuals. Whether for educational, professional, or personal purposes, these digital resources serve as valuable tools for continuous learning and self-improvement. So why not take advantage of the vast world of Mosfet Based High Frequency Inverter For Induction Heating books and manuals for download and embark on your journey of knowledge?

FAQs About Mosfet Based High Frequency Inverter For Induction Heating Books

What is a Mosfet Based High Frequency Inverter For Induction Heating PDF? A PDF (Portable Document Format) is a file format developed by Adobe that preserves the layout and formatting of a document, regardless of the software, hardware, or operating system used to view or print it. **How do I create a Mosfet Based High Frequency Inverter For Induction Heating PDF?** There are several ways to create a PDF: Use software like Adobe Acrobat, Microsoft Word, or Google Docs, which often have built-in PDF creation tools. Print to PDF: Many applications and operating systems have a "Print to PDF" option that allows you to save a document as a PDF file instead of printing it on paper. Online converters: There are various online tools that can convert different file types to PDF. **How do I edit a Mosfet Based High Frequency Inverter For Induction Heating PDF?** Editing a PDF can be done with software like Adobe Acrobat, which allows direct editing of text, images, and other elements within the PDF. Some free tools, like PDFescape or Smallpdf, also offer basic editing capabilities. **How do I convert a Mosfet Based High Frequency Inverter For Induction Heating PDF to another file format?** There are multiple ways to convert a PDF to another format: Use online converters like Smallpdf, Zamzar, or Adobe Acrobat's export feature to convert PDFs to formats like Word, Excel, JPEG, etc. Software like Adobe Acrobat, Microsoft Word, or other PDF editors may have options to export or save PDFs in different formats. **How do I password-protect a Mosfet Based High Frequency Inverter For Induction Heating PDF?** Most PDF editing software allows you to add password protection. In Adobe Acrobat, for instance, you can go to "File" -> "Properties" -> "Security" to set a password to restrict access or editing capabilities. Are there any free alternatives to Adobe Acrobat for working with

PDFs? Yes, there are many free alternatives for working with PDFs, such as: LibreOffice: Offers PDF editing features. PDFsam: Allows splitting, merging, and editing PDFs. Foxit Reader: Provides basic PDF viewing and editing capabilities. How do I compress a PDF file? You can use online tools like Smallpdf, ILovePDF, or desktop software like Adobe Acrobat to compress PDF files without significant quality loss. Compression reduces the file size, making it easier to share and download. Can I fill out forms in a PDF file? Yes, most PDF viewers/editors like Adobe Acrobat, Preview (on Mac), or various online tools allow you to fill out forms in PDF files by selecting text fields and entering information. Are there any restrictions when working with PDFs? Some PDFs might have restrictions set by their creator, such as password protection, editing restrictions, or print restrictions. Breaking these restrictions might require specific software or tools, which may or may not be legal depending on the circumstances and local laws.

Find Mosfet Based High Frequency Inverter For Induction Heating :

United States 86-2177 blog monetization for beginners for startups
America 86-1875 blockchain development blueprint America 86-2248
~~SEO strategy checklist for creators 86-1145 SEO strategy checklist for~~
for small business 86-1745 retirement planning guide for creators
retirement planning trends for creators 86-1960 retirement planning
practices for entrepreneurs 86-1428 mobile app ideas best practices for
~~tools software USA 86-2694 AI tools software United States 86-2910 AI~~
travel blueprint for creators 86-2380 luxury travel blueprint for
USA 86-2891 weight loss apps USA 86-2793 weight loss apps for
creators 86-544 chatbot development comparison for small business
explained for startups 86-2743 side hustles for beginners America
86-2575 online business strategies for entrepreneurs 86-750 online
marketplace software for entrepreneurs 86-2388 NFT marketplace step by
86-409 business automation checklist United States 86-1427 business
America 86-2708 business automation apps for entrepreneurs 86-2690

Mosfet Based High Frequency Inverter For Induction Heating :

in the garden of beasts love terror and an american family in hitler - Jun 01 2022

web may 10 2011 in the garden of beasts love terror and an american family in hitler s berlin kindle edition by erik larson author format kindle edition 13 441 ratings see all formats and editions kindle edition 16 99 read with our free app audiobook 0 00 free with your audible trial

[in the garden of beasts love terror and an american family in](#) - Feb 09 2023

web may 5 2015 complete summary of erik larson s in the garden of beasts love terror and an american family in hitler s berlin enotes plot summaries cover all the significant action of in the

in the garden of beasts love terror and an american family in - Jan 28 2022

web may 1 2012 erik larson crown may 1 2012 history 480 pages 3882 reviews reviews aren t verified but google checks for and removes fake content when it s identified erik larson new york times

in the garden of beasts love terror and an american family in - Feb 26 2022

web in the garden of beasts love terror and an american family in hitler s berlin ebook larson erik amazon com au kindle store

in the garden of beasts love terror and an american family in - Aug 15 2023

web may 10 2011 amazon best books of the month may 2011 in the garden of beasts is a vivid portrait of berlin during the first years of hitler s reign brought to life through the stories of two people william e dodd who in 1933 became america s first ambassador to hitler s regime and his scandalously carefree daughter martha ambassador dodd an

[in the garden of beasts love terror and an american family in](#) - Nov 06 2022

web erik larson crown 26 464p isbn 978 0 307 40884 6 in this mesmerizing portrait of the nazi capital larson plumbs a far more diabolical urban cauldron than in his bestselling the devil in the

in the garden of beasts wikipedia - Jul 14 2023

web in the garden of beasts love terror and an american family in hitler s berlin is a 2011 non fiction book by erik larson 1 summary larson recounts the career of the american ambassador to germany william dodd particularly the years 1933 to 1937 when he and his family including his daughter martha lived in berlin

in the garden of beasts love terror and an american family in - Aug 03 2022

web in the garden of beasts love terror and an american family in hitler s berlin larson erik amazon com au books

in the garden of beasts love terror and an american family in - Mar 10 2023

web may 10 2011 in the garden of beasts love terror and an american family in hitler s berlin erik larson crown may 10 2011 history 464 pages 3881 reviews reviews aren t verified but google

in the garden of beasts love terror and an american - Oct 05 2022

web erik larson new york times bestselling author of devil in the white city delivers a remarkable story set during hitler s rise

to power the time is 1933 the place berlin when william e dodd becomes america s first ambassador to hitler s nazi germany in a year that proved to be a turning point in history

in the garden of beasts love terror and an american family in - Apr 30 2022

web in the garden of beasts love terror and an american family in hitler s berlin by erik larson 1 introduction this book is divided into ten parts with a total of fifty five chapters the writer of this review has a strong need for both an index and a table of contents

in the garden of beasts love terror and an american family in - Mar 30 2022

web may 10 2011 in the garden of beasts love terror and an american family in hitler s berlin by erik larson this book follows william dodd a southern historian friend of the racist president woodrow wilson they are erasing wilson s name from university buildings at the moment in a pivotal point in history as u s ambassador to germany in 1933

in the garden of beasts love terror and an american family in - Jul 02 2022

web in the garden of beasts love terror and an american family in hitler s berlin larson erik amazon com be books

in the garden of beasts love terror and an american family in - Apr 11 2023

web in the garden of beasts love terror and an american family in hitler s berlin larson erik 1954 free download borrow and streaming internet archive

in the garden of beasts love terror and an american family in hitler - Dec 27 2021

web may 30 2011 in the garden of beasts love terror and an american family in hitler s berlin by erik larson this book follows william dodd a southern historian friend of the racist president woodrow wilson they are erasing wilson s name from university buildings at the moment in a pivotal point in history as u s ambassador to germany in

in the garden of beasts love terror and an american family in - May 12 2023

web may 1 2012 erik larson is the author of six new york times bestsellers most recently the splendid and the vile a saga of churchill family and defiance during the blitz which examines how winston churchill and his secret circle went about surviving the german air campaign of 1940 41

in the garden of beasts love terror and an american family in - Sep 04 2022

web in the garden of beasts love terror and an american family in hitler s berlin larson erik amazon com tr

in the garden of beasts love terror and an american family in - Dec 07 2022

web in the garden of beasts love terror and an american family in hitler s berlin audiobook written by erik larson narrated by stephen hoye get instant access to all your favorite books no monthly commitment listen online or offline with android ios web chromecast and google assistant try google play audiobooks today

in the garden of beasts love terror and an american - Jun 13 2023

web may 10 2011 in the garden of beasts love terror and an american family in hitler s berlin erik larson berlin 1933 william e dodd is a mild mannered academic from chicago who becomes america s first ambassador to hitler s germany

in the garden of beasts love terror and an american family in - Jan 08 2023

web the time is 1933 the place berlin when william e dodd becomes america s first ambassador to hitler s germany in a year that proved to be a turning point in history a mild mannered professor

protestanten in zeiten des kalten krieges der wit copy - Feb 02 2023

web protestanten in zeiten des kalten krieges der wit 1 3 downloaded from uniport edu ng on november 6 2023 by guest protestanten in zeiten des kalten krieges der wit

protestanten in zeiten des kalten krieges der wit download - Jun 06 2023

web protestanten in zeiten des kalten krieges der wit downloaded from wef tamu edu by guest richard sterling schwarzer himmel kalte erde weißer tod springer

protestanten in zeiten des kalten krieges der wit pdf - Sep 09 2023

web jul 1 2023 protestanten in zeiten des kalten krieges annette hildebrandt 2017 04 echo aus den zeiten des dreissigjährigen krieges vom anfang des siebenzehnten

protestanten der gläubigkeit in europa einfach erklärt learnattack - Apr 04 2023

web protestanten ursprünglich die bezeichnung für die vertreter evangelischer reichsstädte und evangelischer fürsten der reichstag von speyer vereinbarte 1526 dass in

protestanten in zeiten des kalten krieges der wittenberger - Oct 10 2023

web zeiten des kalten krieges multimediale die stunde null der beginn des kalten krieges i der kalte krieg der kalte krieg was war der kalte krieg protestanten im kalten krieg informationen zur stasi bstu der kalte krieg in geschichte schülerlexikon lernhelfer

annette hildebrandt lothar tautz protestanten in zeiten des - Aug 08 2023

web protestanten in zeiten des kalten krieges buch gebunden von annette hildebrandt lothar tautz bei hugendubel de online bestellen oder in der filiale abholen

so verhielten sich die deutschen protestanten im evangelisch de - Oct 30 2022

web nov 11 2018 so verhielten sich die deutschen protestanten im ersten weltkrieg thron und altar waren im deutschen kaiserreich eng miteinander verbunden der erste

protestanten in zeiten des kalten krieges der wit pdf pdf - Jun 25 2022

web connections if you mean to download and install the protestanten in zeiten des kalten krieges der wit pdf it is utterly easy then back currently we extend the associate to

protestanten in zeiten des kalten krieges der wittenberger - Nov 18 2021

web may 31st 2020 protestanten in zeiten des kalten krieges der wittenberger kirchentag zum lutherjubiläum 1983 im fokus der staatssicherheit studienreihe der

read free protestanten in zeiten des kalten krieges der wit - Aug 28 2022

web protestanten in zeiten des kalten krieges der wit die teilung der welt feb 09 2022 der koreakrieg als produkt des kalten krieges feb 21 2023 studienarbeit aus dem

protestanten in zeiten des kalten krieges der wit pdf wolfgang - Jul 27 2022

web protestanten in zeiten des kalten krieges der wit pdf below meyers konversations lexikon hermann julius meyer 1889 meyers enzyklopädisches lexikon a zz 1971

protestanten in zeiten des kalten krieges der wit pdf uniport edu - Feb 19 2022

web protestanten in zeiten des kalten krieges der wit 2 10 downloaded from uniport edu ng on october 27 2023 by guest interpretieren lässt pfingstbewegung in guatemala

kulturprotestantismus wikipedia - Mar 03 2023

web kulturprotestantismus der kulturprotestantismus war eine strömung des protestantischen geisteslebens vor allem im deutschen sprachraum während der jahrzehnte von 1860

deutsche geschichte kalter krieg planet wissen - Jan 01 2023

web kalter krieg mehr als 40 jahre dauerte der kalte krieg zwischen den supermächten usa und sowjetunion offiziell wurde dieser krieg nie erklärt aber das minderte nicht seine

protestanten in zeiten des kalten krieges der wit pdf pdf - May 05 2023

web jun 9 2023 protestanten in zeiten des kalten krieges der wit pdf recognizing the quirk ways to get this ebook

protestanten in zeiten des kalten krieges der wit pdf is

protestanten in zeiten des kalten krieges der wit copy - Dec 20 2021

web jun 6 2023 in the middle of them is this protestanten in zeiten des kalten krieges der wit that can be your partner die usa und deutschland im zeitalter des kalten krieges

protestantismus □ definition geschichte der protestanten - Sep 28 2022

web aug 25 2023 der begriff des protestantismus entstand aufgrund eines protestschreibens welches 1529 von 6 deutschen fürsten und 14 oberhäuptern freier reichsstädte verfasst

protestanten in zeiten des kalten krieges der wit uniport edu - Jan 21 2022

web jul 10 2023 protestanten in zeiten des kalten krieges der wit 2 12 downloaded from uniport edu ng on july 10 2023 by guest marxismus und protestantismus in deutschland

protestanten in zeiten des kalten krieges der wittenberger - Apr 23 2022

web protestanten in zeiten des kalten krieges von lothar tautz in der zeit des kalten krieges englisch übersetzung
schutzräume kalter krieg zum anfassen bunker in der

protestanten in zeiten des kalten krieges der wit pdf copy - May 25 2022

web comprehending as capably as pact even more than extra will offer each success neighboring to the pronouncement as
skillfully as perception of this protestanten in

protestanten in zeiten des kalten krieges der wit franz - Jul 07 2023

web protestanten in zeiten des kalten krieges der wit recognizing the mannerism ways to acquire this ebook protestanten in
zeiten des kalten krieges der wit is additionally

protestanten in zeiten des kalten krieges der wit - Nov 30 2022

web line this online statement protestanten in zeiten des kalten krieges der wit can be one of the options to accompany you
with having new time it will not waste your time give a

protestanten in zeiten des kalten krieges der wit pdf - Mar 23 2022

web jun 30 2023 protestanten in zeiten des kalten krieges der wit 2 12 downloaded from uniport edu ng on june 30 2023 by
guest menschen besteht dass wir wo es um gut

eur lex 52012dc0385 en eur lex - Feb 26 2022

web report from the commission to the european parliament the council the european economic and social committee and
the committee of the regions on the implementation of directive 2003 59 ec relating to the initial qualification and periodic
training of drivers of certain road vehicles for the carriage of

driver certificate of professional competence nirect - Jan 28 2022

web driver certificate of professional competence cpc for existing lorry bus and coach drivers cpc for new professional lorry
bus and coach drivers driver qualification card and driver

driver certificate of professional competence review final report - Nov 06 2022

web mar 2 2023 this report concludes the driver certificate of professional competence dcpc review this review was
commissioned by the secretary of state for transport in the autumn of 2021 and was conducted

driver certificate of professional competence driver cpc - Feb 09 2023

web driver certificate of professional competence driver cpc what you need to know about driver cpc from becoming a
professional cpc driver and getting a driver cpc card to periodic training compliance and tachographs

the vehicle drivers certificates of professional competence - Apr 30 2022

web jun 30 2020 the vehicle drivers certificates of professional competence amendment regulations 2020 made 29th june

2020 laid before parliament 30th june 2020 coming into force 22nd july 2020 the

driver cpc syllabus gov uk - Jul 14 2023

web apr 28 2021 driver certificate of professional competence cpc syllabus html details the content of driver cpc periodic training courses must match this syllabus individual courses don t have to cover

driver cpc training for qualified drivers gov uk - Aug 15 2023

web how much training you need to do you must do 35 hours of periodic training every 5 years to keep your driver certificate of professional competence cpc to drive a lorry bus or coach

certificate of professional competence wikipedia - Oct 05 2022

web certificate of professional competence cpc refers to two types of qualification in the uk transport and haulage industry driver cpc for professional bus coach and lorry drivers transport manager cpc for transport managers this article includes a list of related items that share the same name or similar names

driver cpc wikipedia - Jun 13 2023

web driver cpc the driver certificate of professional competence driver cpc is a qualification for professional bus coach and lorry drivers it has been introduced across europe with the aim of improving road safety and maintaining high standards of driving

driver cpc training for qualified drivers gov uk - Dec 07 2022

web your driver certificate of professional competence cpc qualification lasts for 5 years to keep your driver cpc you need to do 35 hours of training before your 5 year deadline

certificate of professional competence driver iru world road - Jan 08 2023

web the iru academy certificate of professional competence cpc for drivers covers post driving licence training in compliance with relevant laws and industry standards it applies to road haulage and road passenger transport who is the programme for

driver certificate of professional competence dcpc changes - May 12 2023

web mar 2 2023 the driver certificate of professional competence dcpc is a qualification that professional drivers of certain goods or passenger carrying vehicles must hold in addition to their

driver cpc training dvla courses get licensed uk - Jun 01 2022

web the driver certificate of professional competence driver cpc is a qualification for professional bus coach and lorry drivers it has been introduced across europe with the professed aim of improving road safety and helping to maintain high standards of driving we make getting your cpc licence a simple stress free process

what is the driver cpc certificate of professional competence - Aug 03 2022

web what is the driver cpc the driver cpc certificate of professional competence is a set of standards developed by the

european union to ensure all professional drivers are competent and adhere to ongoing training and education

driver cpc certificate of professional competence for lgv hgv drivers - Mar 30 2022

web the driver cpc is a professional qualification for bus coach and lorry drivers although the directive was passed in 2003 it was not introduced for passenger carrying vehicles pcv drivers until 10 th september 2008 and then for large goods vehicle lgv drivers until 10 th september 2009

driver certificate of professional competence dcpc changes - Mar 10 2023

web mar 2 2023 summary proposals for reforms to how drivers renew and evidence their dcpc and how exceptional circumstances could be dealt with this consultation ran from 9 30am on 2 march 2023 to 11 45pm on

driver cpc courses ritchies training - Dec 27 2021

web you must take one of these to your driver certificate of professional competence cpc training course a photocard driving licence lgv c1 c c e or pcv d entitlement a valid passport as photo id a digital tachograph card a driver cpc card passed a module2 4 test only applicable if you passed your car test after the 1st january 1997

driver certificate of professional competence cpc syllabus - Apr 11 2023

web apr 28 2021 driver certificate of professional competence cpc syllabus updated 28 april 2021 1 advanced training in rational driving based on safety regulations all licences 1 1 to know the

what is cpc bus and coach drivers safe driving for life - Jul 02 2022

web all professional bus and coach drivers must complete at least 35 hours of approved periodic cpc training every 5 years periodic training covers various aspects of professional driving and is delivered by independent training bodies what s covered in your training is up to you and your employer but it might include using tachographs

check if you need driver cpc to drive a lorry bus or coach - Sep 04 2022

web may 7 2013 find out if you need the driver certificate of professional competence cpc qualification to drive a lorry bus or coach or if you could be exempt from driver and vehicle standards agency