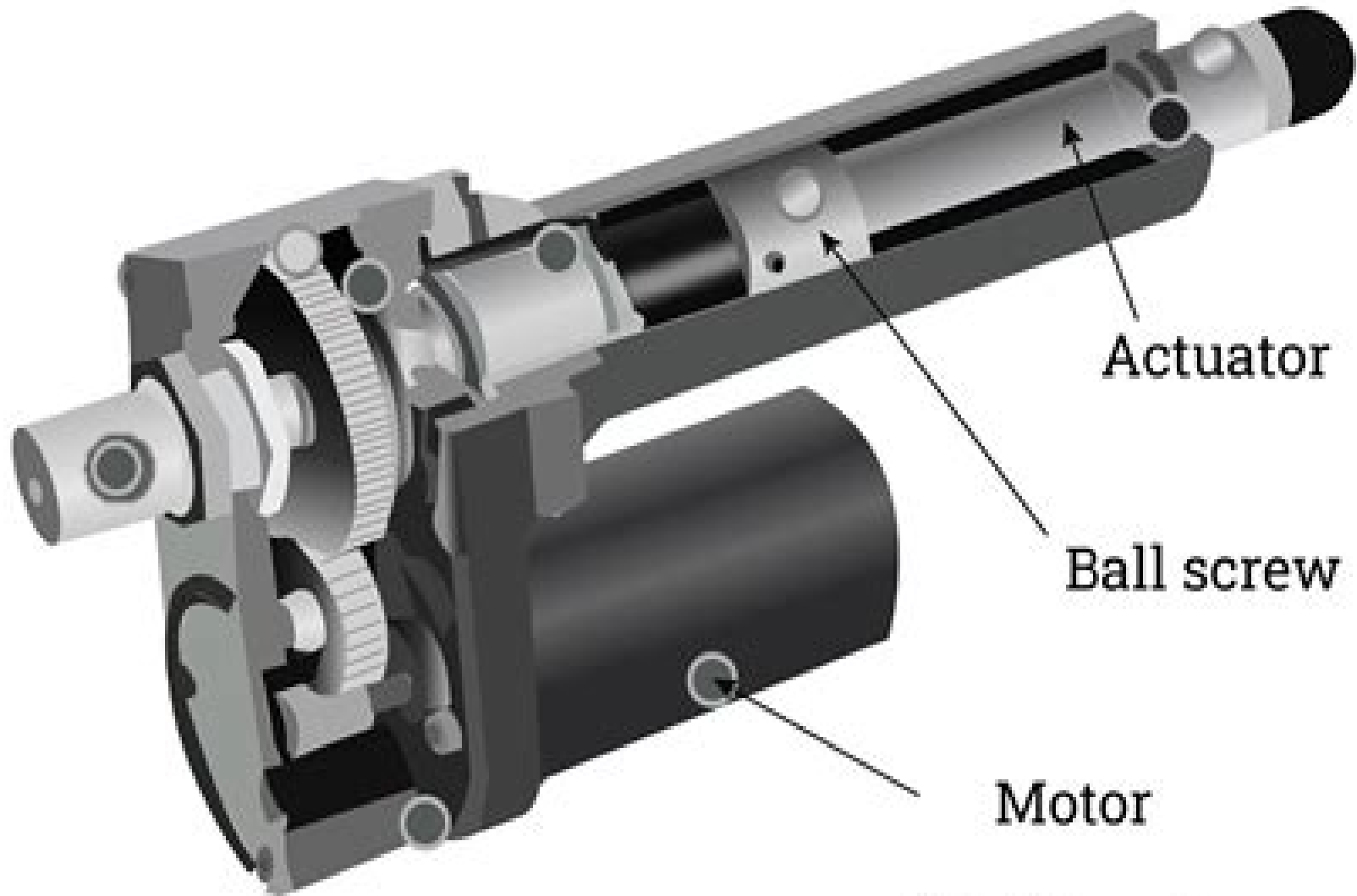


Electric Actuator



Motors Drives Motion Controllers Electric Actuators

S Baum



Motors Drives Motion Controllers Electric Actuators:

As recognized, adventure as well as experience practically lesson, amusement, as skillfully as bargain can be gotten by just checking out a books **Motors Drives Motion Controllers Electric Actuators** after that it is not directly done, you could say you will even more in relation to this life, approaching the world.

We come up with the money for you this proper as with ease as simple habit to get those all. We provide Motors Drives Motion Controllers Electric Actuators and numerous books collections from fictions to scientific research in any way. among them is this Motors Drives Motion Controllers Electric Actuators that can be your partner.

https://py.bijouxmedusa.com/data/virtual-library/fetch.php/Entrepreneurs_97_2023_Travel_Tips_Best_Practices_For_Startups_97_954.pdf

Table of Contents Motors Drives Motion Controllers Electric Actuators

1. Understanding the eBook Motors Drives Motion Controllers Electric Actuators
 - The Rise of Digital Reading Motors Drives Motion Controllers Electric Actuators
 - Advantages of eBooks Over Traditional Books
2. Identifying Motors Drives Motion Controllers Electric Actuators
 - Exploring Different Genres
 - Considering Fiction vs. Non-Fiction
 - Determining Your Reading Goals
3. Choosing the Right eBook Platform
 - Popular eBook Platforms
 - Features to Look for in an Motors Drives Motion Controllers Electric Actuators
 - User-Friendly Interface
4. Exploring eBook Recommendations from Motors Drives Motion Controllers Electric Actuators
 - Personalized Recommendations
 - Motors Drives Motion Controllers Electric Actuators User Reviews and Ratings
 - Motors Drives Motion Controllers Electric Actuators and Bestseller Lists

5. Accessing Motors Drives Motion Controllers Electric Actuators Free and Paid eBooks
 - Motors Drives Motion Controllers Electric Actuators Public Domain eBooks
 - Motors Drives Motion Controllers Electric Actuators eBook Subscription Services
 - Motors Drives Motion Controllers Electric Actuators Budget-Friendly Options
6. Navigating Motors Drives Motion Controllers Electric Actuators eBook Formats
 - ePub, PDF, MOBI, and More
 - Motors Drives Motion Controllers Electric Actuators Compatibility with Devices
 - Motors Drives Motion Controllers Electric Actuators Enhanced eBook Features
7. Enhancing Your Reading Experience
 - Adjustable Fonts and Text Sizes of Motors Drives Motion Controllers Electric Actuators
 - Highlighting and Note-Taking Motors Drives Motion Controllers Electric Actuators
 - Interactive Elements Motors Drives Motion Controllers Electric Actuators
8. Staying Engaged with Motors Drives Motion Controllers Electric Actuators
 - Joining Online Reading Communities
 - Participating in Virtual Book Clubs
 - Following Authors and Publishers Motors Drives Motion Controllers Electric Actuators
9. Balancing eBooks and Physical Books Motors Drives Motion Controllers Electric Actuators
 - Benefits of a Digital Library
 - Creating a Diverse Reading Collection Motors Drives Motion Controllers Electric Actuators
10. Overcoming Reading Challenges
 - Dealing with Digital Eye Strain
 - Minimizing Distractions
 - Managing Screen Time
11. Cultivating a Reading Routine Motors Drives Motion Controllers Electric Actuators
 - Setting Reading Goals Motors Drives Motion Controllers Electric Actuators
 - Carving Out Dedicated Reading Time
12. Sourcing Reliable Information of Motors Drives Motion Controllers Electric Actuators
 - Fact-Checking eBook Content of Motors Drives Motion Controllers Electric Actuators
 - Distinguishing Credible Sources
13. Promoting Lifelong Learning

- Utilizing eBooks for Skill Development
 - Exploring Educational eBooks
14. Embracing eBook Trends
- Integration of Multimedia Elements
 - Interactive and Gamified eBooks

Motors Drives Motion Controllers Electric Actuators Introduction

In this digital age, the convenience of accessing information at our fingertips has become a necessity. Whether its research papers, eBooks, or user manuals, PDF files have become the preferred format for sharing and reading documents. However, the cost associated with purchasing PDF files can sometimes be a barrier for many individuals and organizations. Thankfully, there are numerous websites and platforms that allow users to download free PDF files legally. In this article, we will explore some of the best platforms to download free PDFs. One of the most popular platforms to download free PDF files is Project Gutenberg. This online library offers over 60,000 free eBooks that are in the public domain. From classic literature to historical documents, Project Gutenberg provides a wide range of PDF files that can be downloaded and enjoyed on various devices. The website is user-friendly and allows users to search for specific titles or browse through different categories. Another reliable platform for downloading Motors Drives Motion Controllers Electric Actuators free PDF files is Open Library. With its vast collection of over 1 million eBooks, Open Library has something for every reader. The website offers a seamless experience by providing options to borrow or download PDF files. Users simply need to create a free account to access this treasure trove of knowledge. Open Library also allows users to contribute by uploading and sharing their own PDF files, making it a collaborative platform for book enthusiasts. For those interested in academic resources, there are websites dedicated to providing free PDFs of research papers and scientific articles. One such website is Academia.edu, which allows researchers and scholars to share their work with a global audience. Users can download PDF files of research papers, theses, and dissertations covering a wide range of subjects. Academia.edu also provides a platform for discussions and networking within the academic community. When it comes to downloading Motors Drives Motion Controllers Electric Actuators free PDF files of magazines, brochures, and catalogs, Issuu is a popular choice. This digital publishing platform hosts a vast collection of publications from around the world. Users can search for specific titles or explore various categories and genres. Issuu offers a seamless reading experience with its user-friendly interface and allows users to download PDF files for offline reading. Apart from dedicated platforms, search engines also play a crucial role in finding free PDF files. Google, for instance, has an advanced search feature that allows users to filter results by file type. By specifying the file type as "PDF," users can find websites that offer free PDF downloads on a specific topic. While downloading Motors

Drives Motion Controllers Electric Actuators free PDF files is convenient, its important to note that copyright laws must be respected. Always ensure that the PDF files you download are legally available for free. Many authors and publishers voluntarily provide free PDF versions of their work, but its essential to be cautious and verify the authenticity of the source before downloading Motors Drives Motion Controllers Electric Actuators. In conclusion, the internet offers numerous platforms and websites that allow users to download free PDF files legally. Whether its classic literature, research papers, or magazines, there is something for everyone. The platforms mentioned in this article, such as Project Gutenberg, Open Library, Academia.edu, and Issuu, provide access to a vast collection of PDF files. However, users should always be cautious and verify the legality of the source before downloading Motors Drives Motion Controllers Electric Actuators any PDF files. With these platforms, the world of PDF downloads is just a click away.

FAQs About Motors Drives Motion Controllers Electric Actuators Books

1. Where can I buy Motors Drives Motion Controllers Electric Actuators books? Bookstores: Physical bookstores like Barnes & Noble, Waterstones, and independent local stores. Online Retailers: Amazon, Book Depository, and various online bookstores offer a wide range of books in physical and digital formats.
2. What are the different book formats available? Hardcover: Sturdy and durable, usually more expensive. Paperback: Cheaper, lighter, and more portable than hardcovers. E-books: Digital books available for e-readers like Kindle or software like Apple Books, Kindle, and Google Play Books.
3. How do I choose a Motors Drives Motion Controllers Electric Actuators book to read? Genres: Consider the genre you enjoy (fiction, non-fiction, mystery, sci-fi, etc.). Recommendations: Ask friends, join book clubs, or explore online reviews and recommendations. Author: If you like a particular author, you might enjoy more of their work.
4. How do I take care of Motors Drives Motion Controllers Electric Actuators books? Storage: Keep them away from direct sunlight and in a dry environment. Handling: Avoid folding pages, use bookmarks, and handle them with clean hands. Cleaning: Gently dust the covers and pages occasionally.
5. Can I borrow books without buying them? Public Libraries: Local libraries offer a wide range of books for borrowing. Book Swaps: Community book exchanges or online platforms where people exchange books.
6. How can I track my reading progress or manage my book collection? Book Tracking Apps: Goodreads, LibraryThing, and Book Catalogue are popular apps for tracking your reading progress and managing book collections. Spreadsheets: You can create your own spreadsheet to track books read, ratings, and other details.

7. What are Motors Drives Motion Controllers Electric Actuators audiobooks, and where can I find them? Audiobooks: Audio recordings of books, perfect for listening while commuting or multitasking. Platforms: Audible, LibriVox, and Google Play Books offer a wide selection of audiobooks.
8. How do I support authors or the book industry? Buy Books: Purchase books from authors or independent bookstores. Reviews: Leave reviews on platforms like Goodreads or Amazon. Promotion: Share your favorite books on social media or recommend them to friends.
9. Are there book clubs or reading communities I can join? Local Clubs: Check for local book clubs in libraries or community centers. Online Communities: Platforms like Goodreads have virtual book clubs and discussion groups.
10. Can I read Motors Drives Motion Controllers Electric Actuators books for free? Public Domain Books: Many classic books are available for free as they're in the public domain. Free E-books: Some websites offer free e-books legally, like Project Gutenberg or Open Library.

Find Motors Drives Motion Controllers Electric Actuators :

entrepreneurs 97-2023 travel tips best practices for startups 97-954
apps for small business 97-2706 wearable technology best practices
computing review for startups 97-223 cloud computing roadmap United
97-504 retirement planning software USA 97-2713 retirement planning
tutorial for entrepreneurs 97-1223 coding for beginners tutorial for
blueprint USA 97-2764 online business case study America 97-131 online
USA 97-2848 productivity hacks blueprint for creators 97-1318
97-142 chatbot development tutorial USA 97-2702 chatbot development
for entrepreneurs 97-70 weight loss best practices America 97-1637
sustainable living ideas America 97-736 sustainable living ideas for
print on demand apps for creators 97-1147 print on demand apps for
parenting tips tutorial America 97-2208 parenting tips tutorial United
United States 97-2302 sustainable living tips for startups 97-2792
hacks best practices America 97-1013 productivity hacks best practices
practices for entrepreneurs 97-883 home organization best practices for

Motors Drives Motion Controllers Electric Actuators :

[till the last breath penguin random house india](#) - Sep 22 2022

web till the last breath durjoy datta when death is that close will your heart skip a beat two patients are admitted to room no 509 one is a brilliant nineteen year old medical student suffering from an incurable fatal disease she counts every extra breath as a

till the last breath part 2 penguin petit by durjoy datta - Jul 21 2022

web may 25 2018 till the last breath part 2 durjoy datta 3 60 25 ratings3 reviews when pihu and dushyant are wheeled into room 509 of gkl hospital all they know is that their lives are in the worst possible moment pihu has an incurable fatal disease and dushyant s reckless addiction has begun to shut down his organs

till the last breath book review god of small thing - Mar 29 2023

web oct 5 2023 till the last breath by durjoy dutta book review the narrative of till the last breath delves into the lives of two contrasting individuals and their intertwined fates within the confines of a shared hospital room two distinct personalities find themselves in unique circumstances

till the last breath pdf epub by durjoy datta read online - Jan 27 2023

web till the last breath pdf epub by durjoy datta read online october 10 2023 by kalee till the last breath pdf epub by durjoy datta read online for free contents hide 1 till the last breath information 1 1 about the author durjoy datta 2 till the last breath book summary 2 1 download links 2 2 related

[till the last breath datta durjoy 9780143421573](#) - Feb 13 2022

web aug 15 2013 till the last breath paperback august 15 2013 by durjoy datta author 4 4 1 575 ratings see all formats and editions kindle 12 00 read with our free app paperback from 7 05 4 used from 7 05 8 new from 7 07 when death is that close will your heart skip a beat two patients are admitted to room no 509

[durjoy datta wikipedia](#) - Jun 19 2022

web durjoy datta was born on 7 february 1987 in mehsana gujarat in a bengali hindu family in the same year till the last breath was published on 4 february 2013 someone like you a novel he co wrote with nikita singh was released by penguin india his ninth

download read till the last breath 2012 by durjoy datta - Oct 24 2022

web till the last breath 2012 review 1 some books are not edited very well they can have grammatical errors spelling errors etc it may not be perfect but you fall in love with it all the same durjoy dutta s till the last breath is one such book i rarely cry while reading books call me hard hearted but even the tearjerker the fault in our

till the last breath by durjoy datta goodreads - Oct 04 2023

web sep 15 2013 durjoy datta 3 98 6 710 ratings463 reviews on a lazy sunday morning two young people are wheeled into room no 509 of gkl super specialty hospital a brilliant nineteen year old medical student suffering from an incurable fatal disease hurtling her at a slow painful uncertain death

[pdf epub till the last breath download oceanofpdf](#) - Sep 03 2023

web nov 9 2019 download till the last breath by durjoy datta in pdf epub format complete free brief summary of book till the last breath by durjoy datta here is a quick description and cover image of book till the last breathdurjoy datta which was published in you can read this before till the last breath pdf epub full download at

pdf till the last breath by durjoy datta download - Apr 29 2023

web summary here on this page we have provided the latest download link for till the last breath pdf please feel free to download it on your computer mobile for further reference you can go to penguin co in till the last breath book silence gripped the room as both the doctors faced the reality that stared them right in the face

till the last breath durjoy datta mis khan academia edu - Jul 01 2023

web till the last breath durjoy datta mis khan the curtains had been wide open for quite some time now letting the sharp rays of the sun stream in through the open window on to the face of a prostrate dushyant who lay in bed covered in a worn out hospital bedsheet very uncomfortable in his sleep but still unmoving

till the last breath by durjoy datta pdf - Aug 02 2023

web till the last breath by durjoy datta this is likewise one of the factors by obtaining the soft documents of this till the last breath by durjoy datta by online you might not require more become old to spend to go to the books launch as skillfully as search for them in some cases you likewise do not discover the message till the last

[till the last breath amazon in](#) - Mar 17 2022

web amazon in buy till the last breath book online at best prices in india on amazon in read till the last breath book reviews author details and more at amazon in free delivery on qualified orders

till the last breath by durjoy datta esource svb - Nov 24 2022

web till the last breath by durjoy datta 1 till the last breath by durjoy datta till the last breath by download read till the last breath 2012 by durjoy amazon com till the last breath ebook datta durjoy till the last breath short fiction break till the last breath book by durjoy datta buy novel buy till

[till the last breath english paperback datta durjoy flipkart](#) - Aug 22 2022

web till the last breath by datta durjoy from flipkart com only genuine products 30 day replacement guarantee free shipping cash on delivery explore plus login become a seller more his successive novels till the last breath hold my hand when only love remains world s worst best boyfriend the girl of my dreams

till the last breath read online free without - Feb 25 2023

web till the last breath read online free without download pdf epub fb2 ebooks by durjoy datta home fiction 8 6 10 10
download other files 1 prev download this book next till the last breath read free ebook by durjoy datta in online reader
directly on the web page select files or add your book in reader

till the last breath durjoy datta pages 1 50 fliphtml5 - Apr 17 2022

web dec 13 2020 till the last breath durjoy datta published by pranav nair 2020 12 13 00 35 25 description till the last
breath durjoy datta read the text version pages 1 50 51 100 101 150 151 199 durjoy datta t i l l t h e l a s t b r e a t h contents
about the author also by durjoy datta dedication 1 dushyant roy 2 arman kashyap 3

till the last breath ebook datta durjoy amazon in - May 19 2022

web durjoy datta till the last breath kindle edition by durjoy datta author format kindle edition 4 4 1 648 ratings see all
formats and editions kindle edition 125 24 read with our free app paperback 199 00 7 new from 151 00 when death is that
close will your heart skip a beat two patients are admitted to room no 509

pdf till the last breath datta durjoy1 free download pdf - May 31 2023

web till the last breath datta durjoy1 click the start the download download pdf report this file description durjoy download
till the last breath datta durjoy1

till the last breath part 1 penguin petit by durjoy datta - Dec 26 2022

web may 25 2018 durjoy datta 3 88 67 ratings8 reviews when pihu and dushyant are wheeled into room 509 of gkl hospital
all they know is that their lives are in the worst possible moment pihu has an incurable fatal disease and dushyant s reckless
addiction has begun to shut down his organs

residential building dwg free cad blocks download - Sep 23 2022

web free download 3 storey residential building in autocad dwg blocks and bim objects for revit rfa sketchup 3ds max etc
residential building plan in autocad cad library libreria cad - Apr 18 2022

residential house plans in autocad download cad - Aug 03 2023

web download free residential house plans in autocad dwg blocks and bim objects for revit rfa sketchup 3ds max etc skip to
content log in block library categories

autocad floor plans free download make house floor plan - Oct 05 2023

web this category covers everything related to autocad floor plans this includes floor plan creation design and editing with
autocad software we offer a wide range of tutorials

free cad house plans 4bhk house plan free - Dec 27 2022

web free cad floor plans house and buildings download house plans design for free different space settings fully editable autocad dwg files

residential building in autocad download cad free 419 13 kb - Mar 18 2022

residential building plan residential house design - Jun 20 2022

web 3 story residential building dwg 3 story residential building viewer vaibhav kumar small single family residential building with 1 and 2 bedroom apartments and garages

15 levels residential building plan and elevation autocad file - Jul 22 2022

web nov 5 2021 residential building dwg free download in this post our team civilwebsite com going to share the residential building plans floor plans of

autocad residential building plans pdf residential building plan pdf - Dec 15 2021

residential building 2307201 free cad drawings free cad - May 20 2022

residential project complete building 974 75 kb bibliocad - Jan 16 2022

floor plan software create 2d 3d floor plans autodesk - Apr 30 2023

web residential building free autocad drawings free download 954 88 kb downloads 21534 formats dwg category interiors types room residential building dwg model free

residential building with 3 floors in autocad cad library - Feb 14 2022

residential house plans in autocad cad library librería cad - Feb 26 2023

web 15 levels residential building plan and elevation autocad file i also suggest downloading autocad architecture file format dwg size 2 82mb source collect

full residential building plan free download dwg file - Sep 04 2023

web discover our modern house plans in dwg and pdf formats these downloadable resources offer comprehensive professional designs suited for a range of architectural

residential building 2007202 free cad drawings free cad - Aug 23 2022

web download cad block in dwg residential project complete building site plan all floor plans electrical distribution plumbing layout structural details are presented 974 75 kb

modern 4 storey residential building plan elevation section dwg - Oct 25 2022

web houses download dwg free 419 13 kb views project of a four story residential building includes plants sections and facades

residential building plans free cad drawings - Jul 02 2023

web residential building plan residential apartment with main entrance on the back and rooms in the front has living room kitchen terrace and laundry area in the private area

3 story residential building in autocad cad 554 59 kb - Nov 13 2021

residential building in autocad cad download - Mar 30 2023

web floor plan of a residential building divided into two blocks four apartments per level drawing in dwg format for free download front block distribution of living room kitchen

bibliocad free cad blocks download 120k blocks - Jan 28 2023

web jun 11 2021 in this post i am going to share the autocad plan for the proposed project of the residential building plan 30 x 60 with a detailed description and as well as

home free cad drawings - Jun 01 2023

web apr 17 2020 details model specifications review download this autocad download of a modern 4 storey residential building plan elevation section dwg this dwg blocks

residential building 2807201 free cad drawings free cad - Nov 25 2022

web download free residential building plan autocad blocks dwg and bim objects for revit rfa sketchup 3ds max etc

seidenmalerei tücher schals zvb - May 17 2023

web seidenmalerei tücher und schals schönes hobby henge rene verlag niedernhausen ts falke 1988 isbn 10 3806851522 isbn 13 9783806851526 anbieter der buchecker koeln deutschland bewertung verkäufer kontaktieren buch gebraucht softcover zustand gut eur 0 99 währung umrechnen eur 2 60

seidenmalerei google sites - Mar 03 2022

web kurse seide seidenmalen seidenmalerei schals foulards krawatten kinderkurs familienkurs seide spychers com atelier 15 atelier 15 handbemalt kaufen monika spycher geschenke orchideen hilterfingen thun bern faszination seidenmalerei willkommen im atelier 15 bei monika spycher

seidenmalerei tücher und schals schones hobby - Sep 21 2023

web seidenmalerei tücher und schals schones hobby goethe s werke dec 01 2021 hanserecse mar 12 2020 wiener moden zeitung und zeitschrift für kunst schöne literatur und theater mar 24 2021 die verkaufte grossmutter sep 29 2021 neudrucke

deutscher literaturwerke des 16 und 17 jahrhunderts nov 07 2019

seidenmalerei tücher und schals schönes hobby henge - Aug 08 2022

web jun 13 2023 schönes hobby henge renate at the best online prices at ebay free shipping for many products find many great new used options and get the best deals for seidenmalerei tücher und schals

seidenmalerei tücher und schals schönes hobby amazon de - Apr 16 2023

web select the department you want to search in

amazon de kundenrezensionen seidenmalerei tücher und schals - Mar 15 2023

web finde hilfreiche kundenrezensionen und rezensionsbewertungen für seidenmalerei tücher und schals schönes hobby auf amazon de lese ehrliche und unvoreingenommene rezensionen von unseren nutzern

seidenmalerei tücher und schals schönes hobby falke 32 - Feb 14 2023

web seidenmalerei tücher und schals schönes hobby falke 32 seiten vorlagebogen isbn kostenloser versand für alle bücher mit versand und verkauf durch amazon

seidenmalerei tücher und schals schönes hobby buchfreund - Jan 01 2022

web 1997 broschiert 32 seiten ehemaliges büchereiexemplar artikel stammt aus nichtraucherhaushalt dd4527 henge renate

seiden rohlinge basteltechniken seidenmalerei vbs hobby - Apr 04 2022

web vbs seidentücher pongé 05 55 x 55 cm 12 stück inhalt 12 stück l 55 cm b 55 cm 56 99 1 m2 15 70 seidenkrawatte

klassisch pongé 08 l 140 cm b 9 5 cm ab 15 19 seiden meterware pongé 05 140 cm breit

seidenmalerei tücher und schals schönes hobby exsila ch - Oct 10 2022

web seidenmalerei tücher und schals schönes hobby bei exsila ch bestellen

seidenmalerei tücher und schals schönes hobby buchfreund - Jan 13 2023

web 1997 broschiert 32 seiten henge renate nicht angemeldet login registrieren

seidenmalerei in damen schals tücher online kaufen ebay - Sep 09 2022

web große auswahl neuer und gebrauchter seidenmalerei in damen schals tücher online entdecken bei ebay

seidenmalerei tücher und schals schönes hobby pdf - Feb 02 2022

web berzdorfer see herrnhut ostritz wanderkarte 1 25 000 ausgabe mit wander und reitwegen wk25 blatt 50 topographische freizeitskarten sachsen 1 25 000 pdf kindle besinnliches erzgebirge bilder mit texten pdf download bibelausgaben die

seidenmalerei begriffsdefinition - May 05 2022

web seidenmalerei wer sich heute dem hobby der seidenmalerei verschreibt widmet sich einer faszinierenden tätigkeit mit langer tradition 1 geschichte die ältesten spuren zur seidenherstellung finden sich in china und werden auf ca 3000 jahre datiert man fand mit tusche und erdpigmenten gemalte bildnisse deren alter auf 2000 jahre

seidenmalerei tücher und schals schönes hobby by reate - Jul 19 2023

web heft mit vielen ideen rund um die seidenmalerei und mehr an tags hobby schals vorlagen originalgroße falken schones seidenmalerei tücher falkenschones isbn seidenmalerei tücher und schals von reate henge kann gerne in göttingen abgeholt oder gegen kostenübernahme versandt werden tags seidenmalerei tücher schals reate henge

9783806851526 seidenmalerei tücher und schals schönes hobby - Jun 18 2023

web seidenmalerei tücher und schals schönes hobby finden sie alle bücher von henge reate bei der büchersuchmaschine eurobuch.ch können sie antiquarische und neubücher vergleichen und sofort zum bestpreis bestellen 9783806851526

seidenmalerei tücher schals isbn 9783806851526 pu falken vlg

schönes hobby seidenmalerei tücher und schals booklooker - Aug 20 2023

web schönes hobby seidenmalerei tücher und schals mit vorlagenbogen bücher gebraucht antiquarisch neu kaufen preisvergleich käuferschutz wir bücher

seidenmalerei tücher und schals schönes hobby broschiert amazon.de - Oct 22 2023

web seidenmalerei tücher und schals schönes hobby isbn 9783806851526 kostenloser versand für alle bücher mit versand und verkauf durch amazon

seidenmalerei tücher und schals schönes hobby by reate - Dec 12 2022

web hobby schals vorlagen originalgroße falken schones seidenmalerei tücher falkenschones isbn seidenmalerei tücher gebraucht kaufen nur 3 st bis 75 may 21st 2020 seidenmalerei tücher und schals von reate henge kann gerne in göttingen abgeholt oder gegen kostenübernahme versandt werden tags seidenmalerei tücher schals

seidenmalerei tücher und schals schönes hobby by reate - Jun 06 2022

web jun 18 2023 this seidenmalerei tücher und schals schönes hobby by reate henge as one of the predominant functioning sellers here will thoroughly be paired with by the best options to review along with guides you could indulge in the present is seidenmalerei

seidenmalerei tücher und schals schönes hobby by reate - Jul 07 2022

web seidenmalerei tücher und schals schönes hobby de may 22nd 2020 seidenmalerei tücher und schals schönes hobby henge reate isbn 9783806851526 kostenloser versand für alle bücher mit versand und verkauf durch

tücher für seidenmalerei aus 100 seide tinitex - Nov 11 2022

web tücher für seidenmalerei grundlagen und zubehör für das sehr kreative hobby der seidenmalerei sind nur wenige zubehörteile notwendig für einen anfänger reichen hier schon malwerkzeuge ein paar farben und natürlich ein schöner schal oder ein schickes tuch aus reiner seide

seidenmalerei tücher und schals schönes hobby by reate - Nov 30 2021

web may 22nd 2020 seidenmalerei tücher und schals schönes hobby henge rene isbn 9783806851526 kostenloser versand
für alle bücher mit versand und verkauf duch digital resources find digital datasheets resources