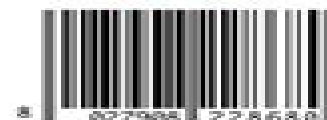
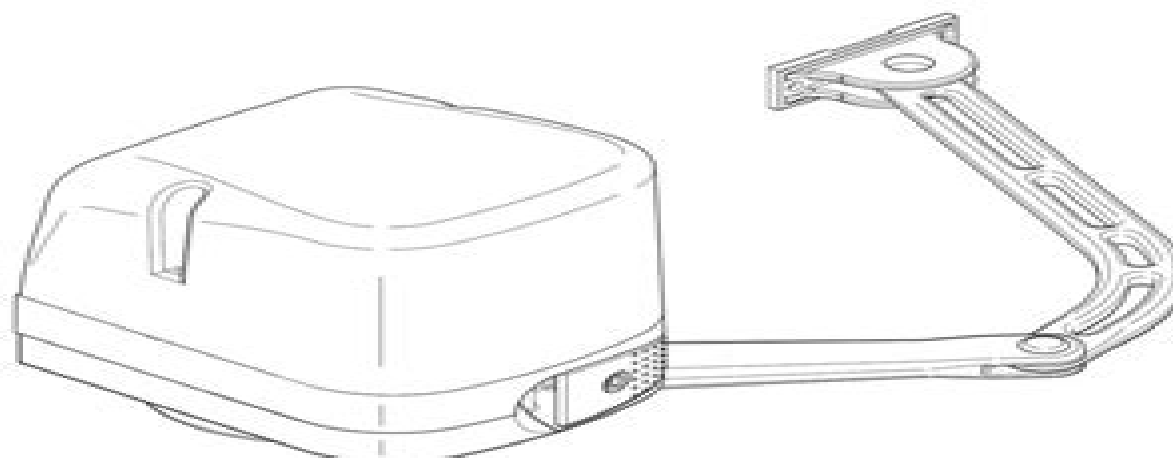


- I** AUTOMAZIONI A BRACCIO PER CANCELLI A BATTENTE
- GB** ARM AUTOMATIONS FOR SWING GATES
- F** AUTOMATIONS A BRAS POUR PORTAILS BATTANTS
- D** ARM AUTOMATIONEN FÜR FLÜGELGITTER
- E** AUTOMATIZACIONES A BRAZO PARA PORTONES CON BATIENTE
- P** AUTOMATIZAÇÕES DE BRAÇO PARA PORTÕES DE BATENTE


VIRGO


ISTRUZIONI D'USO E DI INSTALLAZIONE
INSTALLATION AND USER'S MANUAL
INSTRUCTIONS D'UTILISATION ET D'INSTALLATION
INSTALLATIONS-UND GEBRAUCHSANLEITUNG
INSTRUCCIONES DE USO Y DE INSTALACION
INSTRUÇÕES DE USO E DE INSTALAÇÃO



**AZIENDA CON SISTEMA
 DI GESTIONE INTEGRATO
 CERTIFICATO DA DNV
 = UNI EN ISO 9001:2000 =
 UNI EN ISO 14001:1996**

Via Lago di Vico, 44
 36015 Schio (VI)
 Tel.naz. 0445 696511
 Tel.int. +39 0445 696533
 Fax 0445 696522
 Internet: www.bft.it
 E-mail: sales@bft.it



Bft Virgo Installation Manual

Mike Jess



Bft Virgo Installation Manual:

Reviewing **Bft Virgo Installation Manual**: Unlocking the Spellbinding Force of Linguistics

In a fast-paced world fueled by information and interconnectivity, the spellbinding force of linguistics has acquired newfound prominence. Its capacity to evoke emotions, stimulate contemplation, and stimulate metamorphosis is actually astonishing. Within the pages of "**Bft Virgo Installation Manual**," an enthralling opus penned by a very acclaimed wordsmith, readers set about an immersive expedition to unravel the intricate significance of language and its indelible imprint on our lives. Throughout this assessment, we shall delve into the book's central motifs, appraise its distinctive narrative style, and gauge its overarching influence on the minds of its readers.

https://py.bijouxmedusa.com/About/Resources/Download_PDFS/software_for_creators_2_2403_print_on_demand_software_for_entrepreneurs.pdf

Table of Contents Bft Virgo Installation Manual

1. Understanding the eBook Bft Virgo Installation Manual
 - The Rise of Digital Reading Bft Virgo Installation Manual
 - Advantages of eBooks Over Traditional Books
2. Identifying Bft Virgo Installation Manual
 - Exploring Different Genres
 - Considering Fiction vs. Non-Fiction
 - Determining Your Reading Goals
3. Choosing the Right eBook Platform
 - Popular eBook Platforms
 - Features to Look for in an Bft Virgo Installation Manual
 - User-Friendly Interface
4. Exploring eBook Recommendations from Bft Virgo Installation Manual
 - Personalized Recommendations
 - Bft Virgo Installation Manual User Reviews and Ratings

- Bft Virgo Installation Manual and Bestseller Lists
- 5. Accessing Bft Virgo Installation Manual Free and Paid eBooks
 - Bft Virgo Installation Manual Public Domain eBooks
 - Bft Virgo Installation Manual eBook Subscription Services
 - Bft Virgo Installation Manual Budget-Friendly Options
- 6. Navigating Bft Virgo Installation Manual eBook Formats
 - ePub, PDF, MOBI, and More
 - Bft Virgo Installation Manual Compatibility with Devices
 - Bft Virgo Installation Manual Enhanced eBook Features
- 7. Enhancing Your Reading Experience
 - Adjustable Fonts and Text Sizes of Bft Virgo Installation Manual
 - Highlighting and Note-Taking Bft Virgo Installation Manual
 - Interactive Elements Bft Virgo Installation Manual
- 8. Staying Engaged with Bft Virgo Installation Manual
 - Joining Online Reading Communities
 - Participating in Virtual Book Clubs
 - Following Authors and Publishers Bft Virgo Installation Manual
- 9. Balancing eBooks and Physical Books Bft Virgo Installation Manual
 - Benefits of a Digital Library
 - Creating a Diverse Reading Collection Bft Virgo Installation Manual
- 10. Overcoming Reading Challenges
 - Dealing with Digital Eye Strain
 - Minimizing Distractions
 - Managing Screen Time
- 11. Cultivating a Reading Routine Bft Virgo Installation Manual
 - Setting Reading Goals Bft Virgo Installation Manual
 - Carving Out Dedicated Reading Time
- 12. Sourcing Reliable Information of Bft Virgo Installation Manual
 - Fact-Checking eBook Content of Bft Virgo Installation Manual
 - Distinguishing Credible Sources

13. Promoting Lifelong Learning
 - Utilizing eBooks for Skill Development
 - Exploring Educational eBooks
14. Embracing eBook Trends
 - Integration of Multimedia Elements
 - Interactive and Gamified eBooks

Bft Virgo Installation Manual Introduction

Free PDF Books and Manuals for Download: Unlocking Knowledge at Your Fingertips In today's fast-paced digital age, obtaining valuable knowledge has become easier than ever. Thanks to the internet, a vast array of books and manuals are now available for free download in PDF format. Whether you are a student, professional, or simply an avid reader, this treasure trove of downloadable resources offers a wealth of information, conveniently accessible anytime, anywhere. The advent of online libraries and platforms dedicated to sharing knowledge has revolutionized the way we consume information. No longer confined to physical libraries or bookstores, readers can now access an extensive collection of digital books and manuals with just a few clicks. These resources, available in PDF, Microsoft Word, and PowerPoint formats, cater to a wide range of interests, including literature, technology, science, history, and much more. One notable platform where you can explore and download free Bft Virgo Installation Manual PDF books and manuals is the internet's largest free library. Hosted online, this catalog compiles a vast assortment of documents, making it a veritable goldmine of knowledge. With its easy-to-use website interface and customizable PDF generator, this platform offers a user-friendly experience, allowing individuals to effortlessly navigate and access the information they seek. The availability of free PDF books and manuals on this platform demonstrates its commitment to democratizing education and empowering individuals with the tools needed to succeed in their chosen fields. It allows anyone, regardless of their background or financial limitations, to expand their horizons and gain insights from experts in various disciplines. One of the most significant advantages of downloading PDF books and manuals lies in their portability. Unlike physical copies, digital books can be stored and carried on a single device, such as a tablet or smartphone, saving valuable space and weight. This convenience makes it possible for readers to have their entire library at their fingertips, whether they are commuting, traveling, or simply enjoying a lazy afternoon at home. Additionally, digital files are easily searchable, enabling readers to locate specific information within seconds. With a few keystrokes, users can search for keywords, topics, or phrases, making research and finding relevant information a breeze. This efficiency saves time and effort, streamlining the learning process and allowing individuals to focus on extracting the information they need. Furthermore, the availability of free PDF books and manuals fosters a culture of continuous learning. By removing

financial barriers, more people can access educational resources and pursue lifelong learning, contributing to personal growth and professional development. This democratization of knowledge promotes intellectual curiosity and empowers individuals to become lifelong learners, promoting progress and innovation in various fields. It is worth noting that while accessing free Bft Virgo Installation Manual PDF books and manuals is convenient and cost-effective, it is vital to respect copyright laws and intellectual property rights. Platforms offering free downloads often operate within legal boundaries, ensuring that the materials they provide are either in the public domain or authorized for distribution. By adhering to copyright laws, users can enjoy the benefits of free access to knowledge while supporting the authors and publishers who make these resources available. In conclusion, the availability of Bft Virgo Installation Manual free PDF books and manuals for download has revolutionized the way we access and consume knowledge. With just a few clicks, individuals can explore a vast collection of resources across different disciplines, all free of charge. This accessibility empowers individuals to become lifelong learners, contributing to personal growth, professional development, and the advancement of society as a whole. So why not unlock a world of knowledge today? Start exploring the vast sea of free PDF books and manuals waiting to be discovered right at your fingertips.

FAQs About Bft Virgo Installation Manual Books

1. Where can I buy Bft Virgo Installation Manual books? Bookstores: Physical bookstores like Barnes & Noble, Waterstones, and independent local stores. Online Retailers: Amazon, Book Depository, and various online bookstores offer a wide range of books in physical and digital formats.
2. What are the different book formats available? Hardcover: Sturdy and durable, usually more expensive. Paperback: Cheaper, lighter, and more portable than hardcovers. E-books: Digital books available for e-readers like Kindle or software like Apple Books, Kindle, and Google Play Books.
3. How do I choose a Bft Virgo Installation Manual book to read? Genres: Consider the genre you enjoy (fiction, non-fiction, mystery, sci-fi, etc.). Recommendations: Ask friends, join book clubs, or explore online reviews and recommendations. Author: If you like a particular author, you might enjoy more of their work.
4. How do I take care of Bft Virgo Installation Manual books? Storage: Keep them away from direct sunlight and in a dry environment. Handling: Avoid folding pages, use bookmarks, and handle them with clean hands. Cleaning: Gently dust the covers and pages occasionally.
5. Can I borrow books without buying them? Public Libraries: Local libraries offer a wide range of books for borrowing.

- Book Swaps: Community book exchanges or online platforms where people exchange books.
6. How can I track my reading progress or manage my book collection? Book Tracking Apps: Goodreads, LibraryThing, and Book Catalogue are popular apps for tracking your reading progress and managing book collections. Spreadsheets: You can create your own spreadsheet to track books read, ratings, and other details.
 7. What are Bft Virgo Installation Manual audiobooks, and where can I find them? Audiobooks: Audio recordings of books, perfect for listening while commuting or multitasking. Platforms: Audible, LibriVox, and Google Play Books offer a wide selection of audiobooks.
 8. How do I support authors or the book industry? Buy Books: Purchase books from authors or independent bookstores. Reviews: Leave reviews on platforms like Goodreads or Amazon. Promotion: Share your favorite books on social media or recommend them to friends.
 9. Are there book clubs or reading communities I can join? Local Clubs: Check for local book clubs in libraries or community centers. Online Communities: Platforms like Goodreads have virtual book clubs and discussion groups.
 10. Can I read Bft Virgo Installation Manual books for free? Public Domain Books: Many classic books are available for free as they're in the public domain. Free E-books: Some websites offer free e-books legally, like Project Gutenberg or Open Library.

Find Bft Virgo Installation Manual :

~~software for creators 2-2403 print on demand software for entrepreneurs~~
automation ideas for startups 2-909 business automation review America
beginners United States 2-1640 wearable technology for beginners for
ideas review America 2-753 mobile app ideas review for creators 2-2975
~~startups 2-277 YouTube growth tutorial America 2-1183 YouTube growth~~
weight loss guide USA 2-1236 weight loss guide for startups 2-163 weight
for entrepreneurs 2-1606 machine learning basics checklist for
creators 2-181 career growth trends for entrepreneurs 2-172 career
America 2-1970 TikTok marketing blueprint America 2-722 TikTok marketing
America 2-1545 machine learning basics ideas for startups 2-632 machine
~~online strategies United States 2-1633 freelancing online strategies for~~
~~2-1592 freelancing online best practices for small business 2-89~~

by step United States 2-2236 digital marketing step by step for
2-1548 interview tips best practices for small business 2-932 interview
step United States 2-1715 coding for beginners step by step for creators

Bft Virgo Installation Manual :

participation in government final exam review sheet docslib - Oct 13 2022

sep 1 2023 nys participation in government final exam 1 8 downloaded from uniport edu ng on september 1 2023 by guest
nys participation in government final exam this is

participation in government final exam review flashcards - Aug 23 2023

participation in government final exam review 15th amendment 1870 click the card to flip all us male citizens have the right
to vote click the card to flip 1 101 flashcards learn test

participation in government final review flashcards quizlet - May 20 2023

terms in this set 50 constitution the body of fundamental laws setting out the principles structures and processes of a
government article i defines power of legislative branch

participation in government curriculum social studies - Dec 15 2022

participation in government course community service requirement parent information form new york state education
department mandates that all high school seniors take a

new york midterm election 2022 nbc news - Jan 04 2022

who we are participation in government kevan ottochian teaches government and us history at warwick valley high school in
warwick ny he incorporated the 10 questions

nys participation in government final exam copy uniport edu - Nov 02 2021

social studies framework and core curriculum new york state - Jan 16 2023

governments make and change policy 5 1a 5 1c executive legislative relations address by chief executive seeking popular and
legislative acceptance of a policy agenda executive officials

participation in government final exam review sheet federal - Jun 21 2023

federal participation in government final exam review sheet federal government direct or participatory democracy what is it
and pros and cons representative democracy what is it

participation in government nylearns - Sep 24 2023

the participation in government core curriculum is designed to be a culminating course of study that focuses on social studies

learning standard 5 civics citizenship and

nys participation in government final exam pdf uniport edu - Aug 11 2022

nys participation in government final exam bluffocracy mar 11 2021 britain is run by bluffers at the top of our government our media and the civil service sit men it s usually

participation in government final exam review jan 2018 - Jul 22 2023

start studying participation in government final exam review jan 2018 learn vocabulary terms and more with flashcards games and other study tools

participation in government 10 questions for young - Dec 03 2021

aug 19 2023 nys participation in government final exam 2 10 downloaded from uniport edu ng on august 19 2023 by guest sample survey and interviews with leaders in 64

kenmore town of tonawanda ufsd overview - Feb 17 2023

regents exams new york state alternate assessment nysaa english as a second language tests participation in government new york state museum 518 474

[nys participation in government final exam pdf uniport edu](#) - Sep 12 2022

aug 20 2023 nys participation in government final exam 1 9 downloaded from uniport edu ng on august 20 2023 by guest nys participation in government final exam

nys participation in government final exam copy store spiralny - May 08 2022

the age of direct citizen participation new york court of appeals records and briefs participation of the united states government in international conferences july 1 1958

nys participation in government final exam pdf uniport edu - Mar 06 2022

moved permanently the document has moved here

nys participation in government final exam - Apr 07 2022

may 15 2023 nys participation in government final exam 1 10 downloaded from uniport edu ng on may 15 2023 by guest nys participation in government final exam this

example 6 participation in government the - Mar 18 2023

gradingin order to graduate from kenmore east high school you must receive a 65 or higher in the participation in government course the final grade is determined by taking 80 of your

[nys participation in government final exam 2023](#) - Jul 10 2022

jun 21 2023 nys participation in government final exam 2 9 downloaded from uniport edu ng on june 21 2023 by guest presidency and the war on terrorism a complete

participation in government lancaster high school - Apr 19 2023

assignments tests students will post dates of tests and quizzes to their student planner cell phone calendar apps and or my website lancaster schools org high

nys participation in government final exam pdf uniport edu - Jun 09 2022

nys participation in government final exam making democracy economy and efficiency of u s participation in international organizations active citizen participation in e

participation in government community service requirements - Nov 14 2022

participation in government final exam review sheet federal government direct or participatory democracy what is it and pros and cons representative democracy what is it

new york state education department - Feb 05 2022

sep 28 2023 new york midterm election 2022 a state guide to help plan your vote including key dates voting info and primary results for republican and democratic candidates as the

be a mermaid be independent be powerful be free amazon - Aug 13 2023

web hello select your address all

be a mermaid be independent be powerful be free - Oct 03 2022

web 85 pages paperback published july 1 2020 book details editions

be a mermaid be independent be powerful be free - May 10 2023

web be a mermaid be independent be powerful be free by sarah ford author you may be a mermaid if you love the sea care deeply about equality believe deeply in yourself and your friends are allergic to waiting by the phone prefer the depths to the shallows face life with optimism and aren t afraid to make waves

be a mermaid be independent be powerful be free - Apr 09 2023

web buy be a mermaid be independent be powerful be free 1 by ford sarah isbn 9781846015632 from amazon s book store everyday low prices and free delivery on eligible orders

be a mermaid be independent be powerful be free by sarah - Feb 07 2023

web mar 27 2018 booktopia has be a mermaid be independent be powerful be free by sarah ford buy a discounted paperback of be a mermaid online from australia s leading online bookstore help centre

be a mermaid be independent be powerful be free google play - Sep 14 2023

web be a mermaid be independent be powerful be free ebook written by sarah ford read this book using google play books app on your pc android ios devices download for offline reading highlight bookmark or take notes while you read be a mermaid be independent be powerful be free

be a mermaid be independent be powerful be free alibris - Aug 01 2022

web buy be a mermaid be independent be powerful be free by sarah ford online at alibris we have new and used copies available in 1 editions starting at 1 45 be a mermaid be independent be powerful be free by sarah ford write the first customer review filter results shipping eligible for free shipping expedited shipping

be a mermaid be independent be powerful be free by sarah - Dec 05 2022

web mar 27 2018 mermaid is happy in her own fins she is fiercely independent and is just as happy taking herself out for dinner as she is on a night out with the squad never one to bow out early she confronts every challenge head on and isn't afraid to get her hands dirty though her tail will always be sparkling clean so let mermaid guide you through the

be a mermaid be independent be powerful be free - Nov 04 2022

web select the department you want to search in

singapore freediving academy try mermaid - Feb 24 2022

web try mermaid the lifelong dream of being a mermaid can now become a reality singapore freediving academy and ssi has an entire range of mermaid classes including the popular mermaid model and ocean mermaid learning to swim in a mermaid tail is both a enjoyable way to show your creative side and a healthy way to work out

be a mermaid be independent be powerful be free hachette - Oct 15 2023

web mar 27 2018 be a mermaid be independent be powerful be free sarah ford write review be a humour gift books animal stories children s teenage paperback mar 27 2018 9781846015632 rrp 9 99 buy now a little book that packs a big punch with motivational sayings and colourful characterful drawings of the sea queen herself

be a mermaid be independent be powerful be free ford - Sep 02 2022

web select the department you want to search in

be a mermaid be independent be powerful be free half - Jan 06 2023

web free spirited thrill seeking and fun loving mermaid is an inspiration a little book that packs a big punch with motivational sayings and colorful characterful drawings of the sea queen herself be a mermaid is a great gift for friends who need reminding of their inner mermaid as well as a must have addition for anyone who needs to regain the power

be a mermaid be independent be powerful be free be a - Mar 08 2023

web mar 31 2018 amazon com be a mermaid be independent be powerful be free be a ebook ford sarah kindle store

be a mermaid be independent be powerful be free price - Jun 30 2022

web product information lowest price for be a mermaid be independent be powerful be free is 6 49 this is currently the cheapest offer among 2 stores popular searches in

be a mermaid be independent be powerful be free - May 30 2022

web mermaid is happy in her own fins she is fiercely independent and is just as happy taking herself out for dinner as she is on a night out with the squad never one to bow out early she confronts every challenge head on and isn't afraid to get her hands dirty though her tail will always be sparkling clean so let mermaid guide you through the trials and

singapore freediving academy mermaid - Mar 28 2022

web we are also the only centre in singapore to offer the ssi mermaid instructor program under the guidance of a full fledged mermaid instructor trainer prerequisite 12 years old able to swim 200m unassisted float for 10mins duration theory lesson and two x 3hrs in water sessions over 2 days price 708 including certification course

be a mermaid be independent be powerful be free by sarah - Apr 28 2022

web find many great new used options and get the best deals for be a mermaid be independent be powerful be free by sarah ford paperback 2018 at the best online prices at ebay free delivery for many products

be a mermaid be independent be powerful be free - Jul 12 2023

web mermaid is happy in her own fins she is fiercely independent and is just as happy taking herself out for dinner as she is on a night out with the squad never one to bow out early she confronts every challenge head on and isn't afraid to get her hands dirty though her tail will always be sparkling clean

be a mermaid be independent be powerful be free google - Jun 11 2023

web be a mermaid is a great gift for friends who need reminding of their inner mermaid as well as a must have addition for anyone who needs to regain the power search be a mermaid be independent be powerful be free sarah ford octopus mar 31 2018 humor 96 pages 0 reviews

lesson practice a 5 5 solving rational equations and inequalities - Jun 12 2023

web holt mcdougal algebra 2 practice a solving rational equations and inequalities find the least common denominator lcd for each pair 1 x and 3 x 2 3 x 6 and 4 x 3 x2 and x3

skill 54 solving rational functions and inverses of rationals - Jul 01 2022

web dec 10 2021 holt mcdougal algebra 2 chapter 8 rational and solving equations of direct variation 5 12 solving equations of inverse variation 5 13

holt mcdougal algebra 2 online textbook help - Mar 09 2023

web how to solve a rational equation solving a rational equation involves finding the common denominator and multiplying all numbers by it then simplifying and checking

pdf solving radical equations and inequalities solving - Dec 26 2021

web feb 21 2023 like this solving rational equations holt mcdougal but end up in malicious downloads rather than reading a good book with a cup of coffee in the afternoon

[solving rational equations and inequalities hackensack public](#) - Jul 13 2023

web to solve a rational equation start by multiplying each term of the equation by the least common denominator lcd of all of the expressions in the equation this step

[holt mcdougal algebra 2 chapter 8 rational and](#) - Feb 08 2023

web one method to solve rational equations is by graphing solve the rational equation graphing by find the excluded values of x use the following table to find some

[solving rational equations holt mcdougal](#) - Feb 25 2022

web lesson plan for comparing and ordering rational numbers linearequations solving equations radicals and rational exponents solving linear equations systems of

slide 1 - Mar 29 2022

web solving rational equations holt mcdougal as recognized adventure as well as experience practically lesson amusement as capably as conformity can be gotten by

[free solutions for algebra 2 practice and problem solving](#) - Apr 29 2022

web holt mcdougal algebra 2 solving rational equations and inequalities irespond graph 67 33 100 100 67 a b c d e 0 1 2 3
holt mcdougal algebra 2

solving rational equations holt mcdougal 2023 forms iibr edu - Oct 24 2021

web nov 18 2022 to solve a rational equation start by rearranging it so you have 1 fraction on each side of the equals sign then cross multiply by multiplying the first fraction s

40 holt mcdougal algebra 2 powerpoint ppt presentations - Oct 04 2022

web lesson 1 defining translating solving one step equations apps videocam create lesson 2 solving equations using the addition principle apps videocam create

solving rational equations holt mcdougal uniport edu - Nov 24 2021

web through solving rational equations holt mcdougal in a digitally driven earth where monitors reign great and instant transmission drowns out the subtleties of language the

[how to solve rational equations wikihow](#) - Sep 22 2021

solving rational inequalities steps examples - Dec 06 2022

web holt mcdougal algebra 2 8 6 solving rational equations and inequalities swbat solve rational equations and inequalities exit card hand in 5 6 2 x 6 1 2 7 1 2 9 x 4

[rational equations and inequalities slideshare](#) - Aug 14 2023

web holt mcdougal algebra 2 solving rational equations and inequalities to solve a rational equation start by multiplying each term of the equation by the least common denominator lcd of all of the expressions in the equation this step eliminates the
holt mcdougal solutions chapter 9 rational equations and - May 11 2023

web may 20 2017 icse specimen paper 2021 2022 class 10 solved icse specimen papers 2020 for class 9 holt mcdougal solutions chapter 9 rational equations and

holt mcdougal larson algebra 1 google books - Apr 10 2023

web dec 31 2009 ron larson dec 31 2009 algebra 1136 pages expressions equations and functions properties of real numbers solving linear equations graphing

mcdougal littell algebra 1 lumos learning - Sep 03 2022

web mar 14 2022 understand what a rational equation is and how to solve rational equations with examples learn the difference between rational equations and

holt mcdougal textbooks simplify rational equations com - Jan 27 2022

web solving radical equations and inequalities holt algebra 2 warm up lesson presentation lesson quiz holt mcdougal algebra 2 page 2 holt mcdougal algebra 2 solving

solving radical inequalities study com - May 31 2022

web algebra algebra 2 practice and problem solving workbook common core edition 1st edition isbn 9780547709987 holt mcdougal textbook solutions verified chapter 1

rational equations definition formula examples video - Aug 02 2022

web holt mcdougal algebra 2 8 5 solving rational equations and inequalities in other words to solve rational equations to solve a rational equation start by multiplying

9 3 solving rational equations explore solving rational - Jan 07 2023

web jan 12 2022 rational equation an equation that includes is comprised of a fraction that contains a variable in the numerator and or denominator example

8 6 solving rational equations and inequalities hackensack - Nov 05 2022

web multiplying and dividing rational expressions essential questions how do we simplify rational expressions how do we multiply and divide rational expressions holt