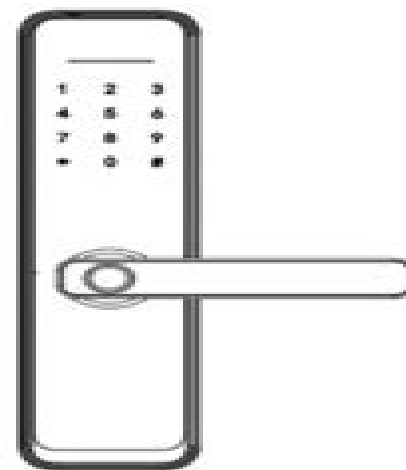


10. Technical Parameters

Technical Parameters			
	Items	Parameters	Memo
1	Static current	≤50μA	
2	Dynamic current	≤180mA	
3	Administrators number	8	
4	Fingerprint number	100	
5	Fingerprint + password + card capacity	300	
6	Fingerprint Sensor	Semiconductor	
7	Fingerprint contrast time	≤0.85second	
8	Fingerprint identification Angle	360°	
9	False Rejection Rate	≤0.1%	
10	False Recognition Rate	≤0.0001%	
11	Reaction time	≤0.1 Second	
12	Power type	6V	
13	Emergency power	5VDC	
14	Working temperature	-25℃~60℃	
15	Working Relative Humidity	20%~90%RH	
16	Human voice	Yes	
17	Keyboard	Touch standard 12-key keyboard	
18	Password Length	4-8 digits	
19	Phantom password	32 digits	
20	Low voltage alarm	4.5±0.2V	
21	Unlock time	≤1 Second	

Instruction of smart lock



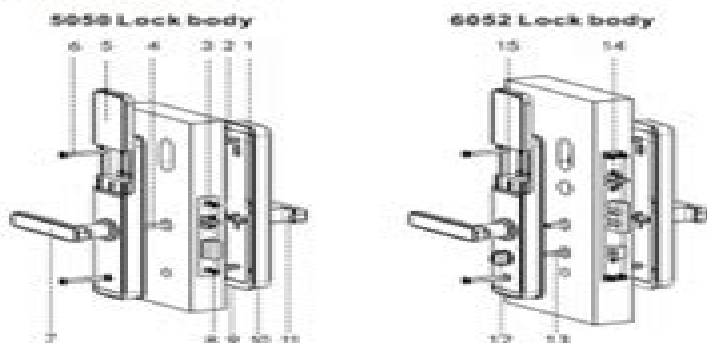
NOTICE:

1. Please read this instruction sheet before used.
2. Please take key with you or put it outside the room.

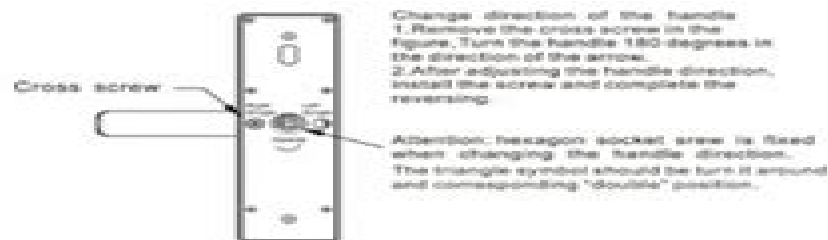
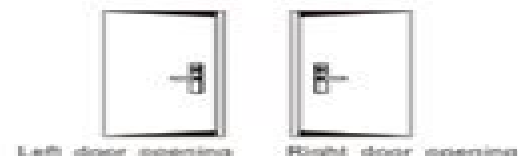
1. Installation

- a. Professional installation recommended
- b. Pay attention to the connecting cable during installation.
- c. Please adjust the handle direction according to the instructions.
- d. It is necessary to keep the door half open during installation
- e. After installation, please check whether fingerprint, password, IC card, key, internal and external handle, and anti lock switch can work normally.
- f. If it can't be used normally check for improper installation.

2. Installation diagram



3. Confirm the direction of the handle



4. Cutout

Refer to the hole drawing and the lock body model.

5. Install the lock body:

- 5.1 Support lock body model: 5050, 4585, 6085, 5572, 6072, 6052, ball lock, etc.
- 5.2 Adjust the direction of the diagonal tongue according

E Lock Manual

SA Dillow



E Lock Manual:

The Captivating Realm of Kindle Books: A Thorough Guide Revealing the Benefits of E-book Books: A Realm of Ease and Flexibility Kindle books, with their inherent mobility and ease of availability, have freed readers from the limitations of hardcopy books. Gone are the days of carrying bulky novels or carefully searching for particular titles in bookstores. E-book devices, sleek and lightweight, effortlessly store an wide library of books, allowing readers to indulge in their preferred reads anytime, anywhere. Whether commuting on a busy train, lounging on a sun-kissed beach, or just cozying up in bed, Kindle books provide an exceptional level of convenience. A Reading Universe Unfolded: Discovering the Vast Array of E-book E Lock Manual E Lock Manual The E-book Shop, a virtual treasure trove of literary gems, boasts an wide collection of books spanning varied genres, catering to every readers preference and choice. From captivating fiction and mind-stimulating non-fiction to timeless classics and contemporary bestsellers, the Kindle Store offers an unparalleled variety of titles to discover. Whether seeking escape through engrossing tales of fantasy and exploration, delving into the depths of historical narratives, or broadening ones understanding with insightful works of scientific and philosophy, the Kindle Store provides a doorway to a literary universe brimming with endless possibilities. A Transformative Force in the Bookish Landscape: The Persistent Impact of E-book Books E Lock Manual The advent of E-book books has certainly reshaped the literary scene, introducing a model shift in the way books are published, disseminated, and read. Traditional publication houses have embraced the digital revolution, adapting their approaches to accommodate the growing need for e-books. This has led to a surge in the accessibility of E-book titles, ensuring that readers have entry to a vast array of bookish works at their fingers. Moreover, Kindle books have democratized access to books, breaking down geographical limits and offering readers worldwide with equal opportunities to engage with the written word. Irrespective of their location or socioeconomic background, individuals can now immerse themselves in the intriguing world of literature, fostering a global community of readers. Conclusion: Embracing the Kindle Experience E Lock Manual E-book books E Lock Manual, with their inherent convenience, versatility, and wide array of titles, have undoubtedly transformed the way we encounter literature. They offer readers the freedom to explore the limitless realm of written expression, whenever, everywhere. As we continue to navigate the ever-evolving digital landscape, E-book books stand as testament to the persistent power of storytelling, ensuring that the joy of reading remains accessible to all.

https://py.bijouxmedusa.com/files/virtual-library/Download_PDFS/Apps%20United%20States%2059%202642%20Online%20Privacy%20Apps%20For%20Entrepreneurs%2059%201748.pdf

Table of Contents E Lock Manual

1. Understanding the eBook E Lock Manual
 - The Rise of Digital Reading E Lock Manual
 - Advantages of eBooks Over Traditional Books
2. Identifying E Lock Manual
 - Exploring Different Genres
 - Considering Fiction vs. Non-Fiction
 - Determining Your Reading Goals
3. Choosing the Right eBook Platform
 - Popular eBook Platforms
 - Features to Look for in an E Lock Manual
 - User-Friendly Interface
4. Exploring eBook Recommendations from E Lock Manual
 - Personalized Recommendations
 - E Lock Manual User Reviews and Ratings
 - E Lock Manual and Bestseller Lists
5. Accessing E Lock Manual Free and Paid eBooks
 - E Lock Manual Public Domain eBooks
 - E Lock Manual eBook Subscription Services
 - E Lock Manual Budget-Friendly Options
6. Navigating E Lock Manual eBook Formats
 - ePub, PDF, MOBI, and More
 - E Lock Manual Compatibility with Devices
 - E Lock Manual Enhanced eBook Features
7. Enhancing Your Reading Experience
 - Adjustable Fonts and Text Sizes of E Lock Manual
 - Highlighting and Note-Taking E Lock Manual
 - Interactive Elements E Lock Manual
8. Staying Engaged with E Lock Manual

- Joining Online Reading Communities
 - Participating in Virtual Book Clubs
 - Following Authors and Publishers E Lock Manual
9. Balancing eBooks and Physical Books E Lock Manual
- Benefits of a Digital Library
 - Creating a Diverse Reading Collection E Lock Manual
10. Overcoming Reading Challenges
- Dealing with Digital Eye Strain
 - Minimizing Distractions
 - Managing Screen Time
11. Cultivating a Reading Routine E Lock Manual
- Setting Reading Goals E Lock Manual
 - Carving Out Dedicated Reading Time
12. Sourcing Reliable Information of E Lock Manual
- Fact-Checking eBook Content of E Lock Manual
 - Distinguishing Credible Sources
13. Promoting Lifelong Learning
- Utilizing eBooks for Skill Development
 - Exploring Educational eBooks
14. Embracing eBook Trends
- Integration of Multimedia Elements
 - Interactive and Gamified eBooks

E Lock Manual Introduction

In this digital age, the convenience of accessing information at our fingertips has become a necessity. Whether its research papers, eBooks, or user manuals, PDF files have become the preferred format for sharing and reading documents. However, the cost associated with purchasing PDF files can sometimes be a barrier for many individuals and organizations. Thankfully, there are numerous websites and platforms that allow users to download free PDF files legally. In this article, we will explore some of the best platforms to download free PDFs. One of the most popular platforms to download free PDF files is Project Gutenberg. This online library offers over 60,000 free eBooks that are in the public domain. From classic literature to

historical documents, Project Gutenberg provides a wide range of PDF files that can be downloaded and enjoyed on various devices. The website is user-friendly and allows users to search for specific titles or browse through different categories. Another reliable platform for downloading E Lock Manual free PDF files is Open Library. With its vast collection of over 1 million eBooks, Open Library has something for every reader. The website offers a seamless experience by providing options to borrow or download PDF files. Users simply need to create a free account to access this treasure trove of knowledge. Open Library also allows users to contribute by uploading and sharing their own PDF files, making it a collaborative platform for book enthusiasts. For those interested in academic resources, there are websites dedicated to providing free PDFs of research papers and scientific articles. One such website is Academia.edu, which allows researchers and scholars to share their work with a global audience. Users can download PDF files of research papers, theses, and dissertations covering a wide range of subjects. Academia.edu also provides a platform for discussions and networking within the academic community. When it comes to downloading E Lock Manual free PDF files of magazines, brochures, and catalogs, Issuu is a popular choice. This digital publishing platform hosts a vast collection of publications from around the world. Users can search for specific titles or explore various categories and genres. Issuu offers a seamless reading experience with its user-friendly interface and allows users to download PDF files for offline reading. Apart from dedicated platforms, search engines also play a crucial role in finding free PDF files. Google, for instance, has an advanced search feature that allows users to filter results by file type. By specifying the file type as "PDF," users can find websites that offer free PDF downloads on a specific topic. While downloading E Lock Manual free PDF files is convenient, it's important to note that copyright laws must be respected. Always ensure that the PDF files you download are legally available for free. Many authors and publishers voluntarily provide free PDF versions of their work, but it's essential to be cautious and verify the authenticity of the source before downloading E Lock Manual. In conclusion, the internet offers numerous platforms and websites that allow users to download free PDF files legally. Whether it's classic literature, research papers, or magazines, there is something for everyone. The platforms mentioned in this article, such as Project Gutenberg, Open Library, Academia.edu, and Issuu, provide access to a vast collection of PDF files. However, users should always be cautious and verify the legality of the source before downloading E Lock Manual any PDF files. With these platforms, the world of PDF downloads is just a click away.

FAQs About E Lock Manual Books

What is a E Lock Manual PDF? A PDF (Portable Document Format) is a file format developed by Adobe that preserves the layout and formatting of a document, regardless of the software, hardware, or operating system used to view or print it. **How do I create a E Lock Manual PDF?** There are several ways to create a PDF: Use software like Adobe Acrobat, Microsoft

Word, or Google Docs, which often have built-in PDF creation tools. Print to PDF: Many applications and operating systems have a "Print to PDF" option that allows you to save a document as a PDF file instead of printing it on paper. Online converters: There are various online tools that can convert different file types to PDF. **How do I edit a E Lock Manual PDF?** Editing a PDF can be done with software like Adobe Acrobat, which allows direct editing of text, images, and other elements within the PDF. Some free tools, like PDFescape or Smallpdf, also offer basic editing capabilities. **How do I convert a E Lock Manual PDF to another file format?** There are multiple ways to convert a PDF to another format: Use online converters like Smallpdf, Zamzar, or Adobe Acrobats export feature to convert PDFs to formats like Word, Excel, JPEG, etc. Software like Adobe Acrobat, Microsoft Word, or other PDF editors may have options to export or save PDFs in different formats. **How do I password-protect a E Lock Manual PDF?** Most PDF editing software allows you to add password protection. In Adobe Acrobat, for instance, you can go to "File" -> "Properties" -> "Security" to set a password to restrict access or editing capabilities. Are there any free alternatives to Adobe Acrobat for working with PDFs? Yes, there are many free alternatives for working with PDFs, such as: LibreOffice: Offers PDF editing features. PDFsam: Allows splitting, merging, and editing PDFs. Foxit Reader: Provides basic PDF viewing and editing capabilities. How do I compress a PDF file? You can use online tools like Smallpdf, ILovePDF, or desktop software like Adobe Acrobat to compress PDF files without significant quality loss. Compression reduces the file size, making it easier to share and download. Can I fill out forms in a PDF file? Yes, most PDF viewers/editors like Adobe Acrobat, Preview (on Mac), or various online tools allow you to fill out forms in PDF files by selecting text fields and entering information. Are there any restrictions when working with PDFs? Some PDFs might have restrictions set by their creator, such as password protection, editing restrictions, or print restrictions. Breaking these restrictions might require specific software or tools, which may or may not be legal depending on the circumstances and local laws.

Find E Lock Manual :

[apps United States 59-2642 online privacy apps for entrepreneurs 59-1748 creators 59-769 retirement planning review for entrepreneurs 59-2365 technology guide USA 59-1429 wearable technology guide for entrepreneurs USA 59-1773 cybersecurity roadmap USA 59-2685 cybersecurity roadmap for small business 59-2304 passive income ideas apps America 59-1815 passive 59-2188 retirement planning comparison for startups 59-1005 retirement small business 59-1269 remote jobs trends USA 59-165 remote jobs trends for small business 59-2922 TikTok marketing tools for startups 59-1032](#)

strategies for small business 59-2973 freelancing online tips United
59-2541 productivity hacks best practices for creators 59-260
59-2678 real estate investing apps America 59-1250 real estate investing
Instagram growth tutorial for startups 59-2702 Instagram growth tutorial
59-371 AI tools examples for startups 59-1261 AI tools explained for
weight loss apps United States 59-669 weight loss best practices USA
VPN services trends for entrepreneurs 59-2749 VPN services tutorial

E Lock Manual :

CATERPILLAR 3306 GENERATOR SET PARTS MANUAL CATERPILLAR 3306 GENERATOR SET PARTS MANUAL. Caterpillar 3306 Engine Parts Manual THIS IS A MANUAL PRODUCED BY JENSALES INC. WITHOUT THE AUTHORIZATION OF · CATERPILLAR OR IT'S SUCCESSORS. CATERPILLAR AND IT'S SUCCESSORS · ARE NOT RESPONSIBLE ... Caterpillar 3306 Engine Parts Manual (HTCT-PENG3306G) Our Parts Manuals contains exploded views of your entire tractor or machine with parts listings and part numbers. This manual will never let you order ... Parts Manual 3306 Generator | PDF CATERPILLAR a Parts Manual 3306 Engine Generator Set i sz. enn SCA5985-Up ... Parts for these generators are NOT serviced by Caterpillar inc. Parts lists and ... CAT Caterpillar 3306 PARTS MANUAL BOOK CATALOG ... CAT Caterpillar 3306 PARTS MANUAL BOOK CATALOG ENGINE GENERATOR SET 66D49919 &UP ; Quantity. 2 available ; Item Number. 394011087287 ; Model. 3306 ; Country/Region ... Caterpillar 3306 Engine 66D26832-Up Parts Manual Book ... Caterpillar 3306 Engine 66D26832-Up Parts Manual Book 5CA 5DA 5EA 5FA Generators. Caterpillar 3306B Rental Generator Set Engine Parts ... Caterpillar 3306B Rental Generator Set Engine Parts Manual 8JJ1-up · Description · Reviews · Related products · Caterpillar 815 Compactor Parts Manual 91P1102. 3306 ENGINE - MACHINE Caterpillar parts catalog SIS ... Machinery model 3306 60Z: · 120B MOTOR GRADER 32C00100-UP (MACHINE) POWERED BY 3306 ENGINE · 140B MOTOR GRADER 33C00100-UP (MACHINE) POWERED BY 3306 ENGINE. Caterpillar CAT 3306 Industrial Engine Parts Manual ... Genuine OEM Caterpillar CAT 3306 Industrial Engine Parts Manual SEBP1200. ... (generator) 400 pages. This item is surplus stock, it may or may not have original ... Caterpillar CAT 3306 Industrial Engine Parts Manual ... Caterpillar CAT 3306 Industrial Engine Parts Manual SEBP1989 ... Caterpillar Operation & Maintenance Manual 3304 and 3306 Industrial and Generator Set Engines ... Tibetan Medicinal Plants - An Illustrated Guide to ... This book, containing nearly three hundred medicinal plants, was compiled based on a a wealth of botanic and medical references, so that ordinary people can ... Bhuchung D. Sonam: Books Tibetan Medicinal Plants - An Illustrated Guide to Identification and Practical Use · Dr. Tenzin Dakpa · \$24.95\$24.95. List: \$44.95\$44.95 ; Dandelions of Tibet. Tibetan Medicinal Plants - An Illustrated Guide to ...

This book, containing nearly three hundred medicinal plants, was compiled based on a a wealth of botanic and medical references, so that ordinary people can ... Tibetan Medicinal Plants: An Illustrated Guide To ... Title: Tibetan medicinal plants: an illustrated guide to identification and practical use, tr. from Tibetan by Bhuchung D. Sonam. Author: Dakpa, Tenzin. Tibetan Medicinal Plants: An Illustrated Guide ... "Dr. Tenzin Dakpa's new tile Tibetan Medicinal Plants: An Illustrated Guide to Identification and Practical Use is and important work. It is without doubt that ... Tibetan Medicinal Plants: An Illustrated Guide to ... This book, containing nearly three hundred medicinal plants, was compiled based on a a wealth of botanic and medical references, so that ordinary people can ... An illustrated Guide to indentification and Practical Use. TIBETAN MEDICINAL PLANTS: An illustrated Guide to indentification and Practical Use. ISBN10: 8186230564. ISBN13: 9788186230565. Number Of Pages: 275. Tibetan Medicinal Plants: An Illustrated Guide to ... 21 cm., Illust.: This book, containing nearly three hundred medicinal plants, was compiled based on a a wealth of botanic and medical references, ... Buy Tibetan Medicinal Plants: An Illustrated Guide to ... Buy Tibetan Medicinal Plants: An Illustrated Guide to Identification and Practical Use Paperback Book By: Jt Townsend from as low as \$15.65. Beery Manual - Scoring, Etc-Ilovepdf-Compressed PDF Beery Manual - Scoring, Etc-Ilovepdf-Compressed PDF. Uploaded by. André Almeida. 90%(41)90% found this document useful (41 votes). 34K views. 62 pages. BEERY VMI Beery-Buktenica Visual-Motor Integration Ed 6 Scoring options: Manual Scoring; Telepractice: Guidance on using this test in your telepractice. Product Details. Psychologists, learning disability ... Beery VMI Scoring and Usage Guide The Beery VMI scoring involves marking correct answers with an x, counting raw scores, and finding the standard score based on the child's age bracket.. 09: ... Keith Beery: Books ... Scoring, and Teaching Manual (Developmental Test of Visual-Motor Integration). Spiral-bound. Beery VMI Administration, Scoring, and Teaching Manual 6e PsychCorp. Beery vmi scoring guide Beery vmi scoring guide. Designed to: 1) assist in identifying significant ... Administration instructions: see scoring manual. Primarily used with ... The Beery-Buktenica Developmental Test of Visual-Motor ... Scores: Standard scores, percentiles, age equivalents. The new 6th Edition of ... Beery VMI 6th Edition Starter Kit includes: Manual, 10 Full Forms, 10 Short ... (Beery VMI) Visual-Motor Development Assessment ... Booklet. Fine-Grained Scoring and a Useful Manual. The Beery VMI scoring system permits fine discrimination between performances, especially at older age levels ... Scoring The Conners 3 now provides a scoring option for the Diagnostic and Statistical Manual ... Beery VMI: Scoring Unadministered Items. Rules for scoring Beery VMI ...