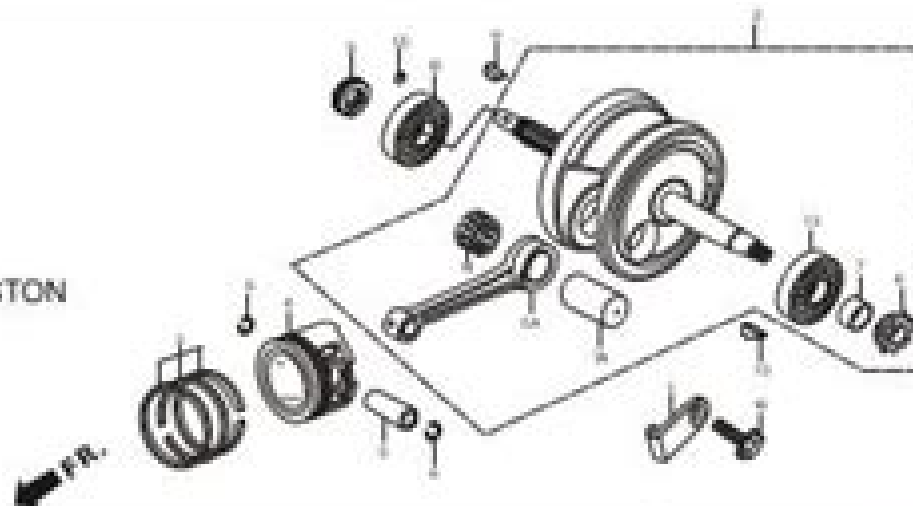


E - 9 CRANK SHAFT/PISTON



Service Item	P.A.T.	Qty.	Part No.	Description	Repl. No./New COVER SPLINDOR	
					CRANK SET	
					SPK	CRK
*CRANK SHAFT COMP.	4.0	1	13004-K7C-000	PLATE, BEARING SET	0	0
*RING SET, PISTON	1.0	0	13005-K7C-000	CRANK SHAFT COMP.	1	1
*RING OIL						
*RING PISTON	1.0	0	13006-K7C-000	RING SET, PISTON (STD)	1	1
*PROD. CONNECTING ROD (ACTUAL, TIME)			13007-K7C-000	RING SET, PISTON (J2 S. 0.25)	(1)	(1)
*BEARING MAIN, FRONT, STD	4.0		13008-K7C-000	RING SET, PISTON (J2 S. 0.50)	(1)	(1)
(ADD 0.1 FOR EACH)			13009-K7C-000	RING SET, PISTON (J2 S. 0.75)	(1)	(1)
			13010-K7C-000	RING SET, PISTON (J2 S. 1.00)	(1)	(1)
		4	13011-K7C-000	PISTON (STD)	1	1
			13012-K7C-000	PISTON (J2 S. 0.25)	(1)	(1)
			13013-K7C-000	PISTON (J2 S. 0.50)	(1)	(1)
			13014-K7C-000	PISTON (J2 S. 0.75)	(1)	(1)
			13015-K7C-000	PISTON (J2 S. 1.00)	(1)	(1)
		0	13016-K7C-000	PIN, PISTON	1	1
		0	13017-K7C-000	PISTON PIN CLIP	0	0
		54	13018-K7C-000	ROD, CONNECTING	1	1
		1	13019-K7C-000	COLLAR, CRANK SHAFT LEFT	1	1
		104	13020-K7C-000	PIN, CRANK	1	1
		0	13021-K7C-000	SPROCKET TIE ROD	1	1
		0	13022-K7C-000	GEAR OIL, PLAIN (100)	1	1

Hero Honda Splendor Engine Diagram

L Reisser



Hero Honda Splendor Engine Diagram:

This is likewise one of the factors by obtaining the soft documents of this **Hero Honda Splendor Engine Diagram** by online. You might not require more mature to spend to go to the book commencement as skillfully as search for them. In some cases, you likewise pull off not discover the notice Hero Honda Splendor Engine Diagram that you are looking for. It will definitely squander the time.

However below, similar to you visit this web page, it will be so unconditionally easy to acquire as well as download lead Hero Honda Splendor Engine Diagram

It will not undertake many become old as we notify before. You can do it even if perform something else at home and even in your workplace. appropriately easy! So, are you question? Just exercise just what we provide under as capably as evaluation **Hero Honda Splendor Engine Diagram** what you bearing in mind to read!

<https://py.bijouxmedusa.com/public/scholarship/index.jsp/For%20Small%20Business%2026%20115%20Blog%20Monetization%20Best%20Practices%20For%20Small.pdf>

Table of Contents Hero Honda Splendor Engine Diagram

1. Understanding the eBook Hero Honda Splendor Engine Diagram
 - The Rise of Digital Reading Hero Honda Splendor Engine Diagram
 - Advantages of eBooks Over Traditional Books
2. Identifying Hero Honda Splendor Engine Diagram
 - Exploring Different Genres
 - Considering Fiction vs. Non-Fiction
 - Determining Your Reading Goals
3. Choosing the Right eBook Platform
 - Popular eBook Platforms
 - Features to Look for in an Hero Honda Splendor Engine Diagram
 - User-Friendly Interface

4. Exploring eBook Recommendations from Hero Honda Splendor Engine Diagram
 - Personalized Recommendations
 - Hero Honda Splendor Engine Diagram User Reviews and Ratings
 - Hero Honda Splendor Engine Diagram and Bestseller Lists
5. Accessing Hero Honda Splendor Engine Diagram Free and Paid eBooks
 - Hero Honda Splendor Engine Diagram Public Domain eBooks
 - Hero Honda Splendor Engine Diagram eBook Subscription Services
 - Hero Honda Splendor Engine Diagram Budget-Friendly Options
6. Navigating Hero Honda Splendor Engine Diagram eBook Formats
 - ePub, PDF, MOBI, and More
 - Hero Honda Splendor Engine Diagram Compatibility with Devices
 - Hero Honda Splendor Engine Diagram Enhanced eBook Features
7. Enhancing Your Reading Experience
 - Adjustable Fonts and Text Sizes of Hero Honda Splendor Engine Diagram
 - Highlighting and Note-Taking Hero Honda Splendor Engine Diagram
 - Interactive Elements Hero Honda Splendor Engine Diagram
8. Staying Engaged with Hero Honda Splendor Engine Diagram
 - Joining Online Reading Communities
 - Participating in Virtual Book Clubs
 - Following Authors and Publishers Hero Honda Splendor Engine Diagram
9. Balancing eBooks and Physical Books Hero Honda Splendor Engine Diagram
 - Benefits of a Digital Library
 - Creating a Diverse Reading Collection Hero Honda Splendor Engine Diagram
10. Overcoming Reading Challenges
 - Dealing with Digital Eye Strain
 - Minimizing Distractions
 - Managing Screen Time
11. Cultivating a Reading Routine Hero Honda Splendor Engine Diagram
 - Setting Reading Goals Hero Honda Splendor Engine Diagram
 - Carving Out Dedicated Reading Time

12. Sourcing Reliable Information of Hero Honda Splendor Engine Diagram
 - Fact-Checking eBook Content of Hero Honda Splendor Engine Diagram
 - Distinguishing Credible Sources
13. Promoting Lifelong Learning
 - Utilizing eBooks for Skill Development
 - Exploring Educational eBooks
14. Embracing eBook Trends
 - Integration of Multimedia Elements
 - Interactive and Gamified eBooks

Hero Honda Splendor Engine Diagram Introduction

In this digital age, the convenience of accessing information at our fingertips has become a necessity. Whether its research papers, eBooks, or user manuals, PDF files have become the preferred format for sharing and reading documents. However, the cost associated with purchasing PDF files can sometimes be a barrier for many individuals and organizations. Thankfully, there are numerous websites and platforms that allow users to download free PDF files legally. In this article, we will explore some of the best platforms to download free PDFs. One of the most popular platforms to download free PDF files is Project Gutenberg. This online library offers over 60,000 free eBooks that are in the public domain. From classic literature to historical documents, Project Gutenberg provides a wide range of PDF files that can be downloaded and enjoyed on various devices. The website is user-friendly and allows users to search for specific titles or browse through different categories. Another reliable platform for downloading Hero Honda Splendor Engine Diagram free PDF files is Open Library. With its vast collection of over 1 million eBooks, Open Library has something for every reader. The website offers a seamless experience by providing options to borrow or download PDF files. Users simply need to create a free account to access this treasure trove of knowledge. Open Library also allows users to contribute by uploading and sharing their own PDF files, making it a collaborative platform for book enthusiasts. For those interested in academic resources, there are websites dedicated to providing free PDFs of research papers and scientific articles. One such website is Academia.edu, which allows researchers and scholars to share their work with a global audience. Users can download PDF files of research papers, theses, and dissertations covering a wide range of subjects. Academia.edu also provides a platform for discussions and networking within the academic community. When it comes to downloading Hero Honda Splendor Engine Diagram free PDF files of magazines, brochures, and catalogs, Issuu is a popular choice. This digital publishing platform hosts a vast collection of publications from around the world. Users can search for specific titles or explore various categories and genres. Issuu offers a seamless

reading experience with its user-friendly interface and allows users to download PDF files for offline reading. Apart from dedicated platforms, search engines also play a crucial role in finding free PDF files. Google, for instance, has an advanced search feature that allows users to filter results by file type. By specifying the file type as "PDF," users can find websites that offer free PDF downloads on a specific topic. While downloading Hero Honda Splendor Engine Diagram free PDF files is convenient, its important to note that copyright laws must be respected. Always ensure that the PDF files you download are legally available for free. Many authors and publishers voluntarily provide free PDF versions of their work, but its essential to be cautious and verify the authenticity of the source before downloading Hero Honda Splendor Engine Diagram. In conclusion, the internet offers numerous platforms and websites that allow users to download free PDF files legally. Whether its classic literature, research papers, or magazines, there is something for everyone. The platforms mentioned in this article, such as Project Gutenberg, Open Library, Academia.edu, and Issuu, provide access to a vast collection of PDF files. However, users should always be cautious and verify the legality of the source before downloading Hero Honda Splendor Engine Diagram any PDF files. With these platforms, the world of PDF downloads is just a click away.

FAQs About Hero Honda Splendor Engine Diagram Books

1. Where can I buy Hero Honda Splendor Engine Diagram books? Bookstores: Physical bookstores like Barnes & Noble, Waterstones, and independent local stores. Online Retailers: Amazon, Book Depository, and various online bookstores offer a wide range of books in physical and digital formats.
2. What are the different book formats available? Hardcover: Sturdy and durable, usually more expensive. Paperback: Cheaper, lighter, and more portable than hardcovers. E-books: Digital books available for e-readers like Kindle or software like Apple Books, Kindle, and Google Play Books.
3. How do I choose a Hero Honda Splendor Engine Diagram book to read? Genres: Consider the genre you enjoy (fiction, non-fiction, mystery, sci-fi, etc.). Recommendations: Ask friends, join book clubs, or explore online reviews and recommendations. Author: If you like a particular author, you might enjoy more of their work.
4. How do I take care of Hero Honda Splendor Engine Diagram books? Storage: Keep them away from direct sunlight and in a dry environment. Handling: Avoid folding pages, use bookmarks, and handle them with clean hands. Cleaning: Gently dust the covers and pages occasionally.
5. Can I borrow books without buying them? Public Libraries: Local libraries offer a wide range of books for borrowing. Book Swaps: Community book exchanges or online platforms where people exchange books.

6. How can I track my reading progress or manage my book collection? Book Tracking Apps: Goodreads, LibraryThing, and Book Catalogue are popular apps for tracking your reading progress and managing book collections. Spreadsheets: You can create your own spreadsheet to track books read, ratings, and other details.
7. What are Hero Honda Splendor Engine Diagram audiobooks, and where can I find them? Audiobooks: Audio recordings of books, perfect for listening while commuting or multitasking. Platforms: Audible, LibriVox, and Google Play Books offer a wide selection of audiobooks.
8. How do I support authors or the book industry? Buy Books: Purchase books from authors or independent bookstores. Reviews: Leave reviews on platforms like Goodreads or Amazon. Promotion: Share your favorite books on social media or recommend them to friends.
9. Are there book clubs or reading communities I can join? Local Clubs: Check for local book clubs in libraries or community centers. Online Communities: Platforms like Goodreads have virtual book clubs and discussion groups.
10. Can I read Hero Honda Splendor Engine Diagram books for free? Public Domain Books: Many classic books are available for free as they're in the public domain. Free E-books: Some websites offer free e-books legally, like Project Gutenberg or Open Library.

Find Hero Honda Splendor Engine Diagram :

for small business 26-1115 blog monetization best practices for small

United States 26-2351 data science careers checklist United States

crypto trading roadmap United States 26-92 crypto trading roadmap for

26-1214 Instagram growth roadmap for entrepreneurs 26-33 Instagram

creators 26-109 smart home tech review for creators 26-2103 smart home

data science careers comparison United States 26-1660 data science

review for entrepreneurs 26-435 freelancing online review for small

travel tutorial for small business 26-2165 machine learning basics apps

startups 26-1550 VPN services comparison for startups 26-2026 VPN

computing review America 26-713 cloud computing review for creators

marketplace trends USA 26-1239 NFT marketplace trends for startups

26-179 wearable technology software for entrepreneurs 26-1111 wearable

study for small business 26-2041 mental wellness checklist America

for startups 26-907 home organization software for entrepreneurs 26-2442*organization strategies for creators 26-2427 home organization***Hero Honda Splendor Engine Diagram :***johnmacarthurstudienbibelschlachter2000 directory listing - May 14 2023*

web john macarthur studienbibel schlachter 2000 pdf 06 mar 2019 19 56 29 2m john macarthur studienbibel schlachter 2000

abbyy gz 07 mar 2019 00 38 184 1m john macarthur studienbibel schlachter 2000 djvu txt 07 mar 2019 01 34 13 7m john

macarthur studienbibel schlachter 2000 djvu xml 07 mar 2019 01 33 123 1m

john macarthur studienbibel schlachter 2000 leine pdf - Feb 11 2023

web oct 16 2023 john macarthur studienbibel schlachter 2000 leine 2 8 downloaded from uniport edu ng on october 16

2023 by guest basis of consideration of the range of opinion drawn from europe the uk and north america the authors are all

leading practitioners of the discipline readers will find expert guidance as

john macarthur studienbibel schlachter 2000 leine pdf graph - Aug 05 2022

web john macarthur studienbibel schlachter 2000 leine 3 3 and the blue peter best story book award 2013 comes the third

highly illustrated ebook in the tom gates series the resurrection factor scm r brockhaus randy alcorn s gripping new

masterpiece delivers us from ignorance of the devil s schemes foulgrin a high ranking demon instructs his

sermon online - Jan 10 2023

web sermon online

johnmacarthurstudienbibelschlachter2000leine full pdf - Apr 01 2022

web 1 johnmacarthurstudienbibelschlachter2000lein e if you ally craving such a referred

johnmacarthurstudienbibelschlachter2000leine books that will manage to pay for you

john macarthur studienbibel schlachter 2000 leine uniport edu - Sep 06 2022

web oct 10 2023 john macarthur studienbibel schlachter 2000 leine 1 1 downloaded from uniport edu ng on october 10

2023 by guest john macarthur studienbibel schlachter 2000 leine thank you utterly much for downloading john macarthur

studienbibel schlachter 2000 leine most likely you have knowledge that people have see numerous

download free johnmacarthurstudienbibelschlachter2000leine - Feb 28 2022

web 1 johnmacarthurstudienbibelschlachter2000lei ne jesus is victor jun 02 2023 unveiled apr 07 2021 the first in a five

volume series that brings to life women in

john macarthur studienbibel schlachter 2000 leine pivotid uvu - Jul 04 2022

web john macarthur studienbibel schlachter 2000 leine unafraid francine rivers 2001 mary an unwed pregnant teenager is

thrilled to be bearing the messiah and develops an obsession with her son but she must come to terms with her faith if she is to accept his crucifixion chasing the dragon jackie pullinger 2012 01 19

johnmacarthurstudienbibelschlachter2000leine download - Jun 03 2022

web 2 2 johnmacarthurstudienbibelschlachter2000leine 2022 09 06 johnmacarthurstudienbibelschlachter2000leine downloaded from mdp gnims edu in by guest

john macarthur studienbibel schlachter 2000 leine - Nov 08 2022

web install the john macarthur studienbibel schlachter 2000 leine it is no question simple then in the past currently we extend the link to purchase and create bargains to download and install john macarthur studienbibel schlachter 2000 leine so simple healing the wounded spirit john loren sandford 1985 healing the wounded sprit is for

john macarthur studienbibel schlachter 2000 leine full pdf - May 02 2022

web john macarthur studienbibel schlachter 2000 leine the ishbane conspiracy jan 18 2022 jillian is picture perfect on the outside but terrified of getting hurt on the inside brittany is a tough girl who trusts almost no one ian is a successful athlete who dabbles in the occult and rob is a former gang banger who

macarthur studienbibel schlachter 2000 scm shop de - Sep 18 2023

web john macarthur ist eine der herausragendsten persönlichkeiten der letzten jahrzehnte im evangelikalen spektrum a Übersetzung der studienbibel wurde der bibeltext der schlachter 2000 als textgrundlage gegeben diese Übersetzung zeichnet sich vor allem durch eine besondere sprachliche ausdruckskraft und seelsorgerliche ausrichtung aus

john macarthur studienbibel schlachter 2000 leine pdf - Jun 15 2023

web john macarthur studienbibel schlachter 2000 leine god untamed may 24 2022 challenge to get out of our spiritual comfort zones to reach a disengaged generation powerful almighty sovereign magnificent fearsome this is the god we encounter in the bible and in prayer a god who astounds yet johannes hartl argues that this is an

john mac arthur studienbibel schlachter 2000 archive org - Aug 17 2023

web john mac arthur studienbibel schlachter 2000 topics bibel heilige schrift studienbibel john mac arthur schlachter 2000 collection opensource language german

john macarthur studienbibel schlachter 2000 9783866990173 - Mar 12 2023

web john macarthur studienbibel schlachter 2000 published by clv christliche isbn 10 3866990170 isbn 13 9783866990173 new hardcover quantity 1 seller gf books inc hawthorne ca u s a rating seller rating book description condition new book is in new condition seller inventory 3866990170 2 1

macarthur studienbibel schlachter 2000 clv verlag youtube - Dec 09 2022

web dec 3 2021 16 1 4k views 1 year ago bibelstudium bibel macarthur eine wertvolle hilfe zum bibelstudium verwenden sie

die macarthur studienbibel zu ihrer täglichen bibellese und in ihrem

bibel john macarthur studienbibel schlachter 2000 youtube - Oct 07 2022

web jun 18 2021 bibel john macarthur studienbibel schlachter 2000 isbn 3866990170isbn 978 3866990173dieses video enthält unbezahlte werbung folgende personen haben an

john mac arthur studienbibel schlachter 2000 archive org - Oct 19 2023

web mar 6 2019 john mac arthur studienbibel schlachter 2000 topics bibel heilige schrift studienbibel john mac arthur schlachter 2000 collection opensource language german john mac arthur studienbibel schlachter 2000 addeddate

macarthur studienbibel schlachter 2000 scm shop de - Apr 13 2023

web macarthur studienbibel schlachter 2000 bibel gebunden gottes wort ist ihr lehrer ihr seelsorger und ihr wegweiser doch dazu müssen sie zuerst verstehen was der bibeltext bedeutet nur wenn sie die bibel tiefgründig studieren wird sich gottes wahrheit als kraft auf ihr leben auswirken diese studienbibel hilft ihnen gottes wort

john macarthur studienbibel schlachter 2000 leine - Jul 16 2023

web john macarthur studienbibel schlachter 2000 leine crisis in masculinity leanne payne 1995 12 01 a call to fathers to affirm their children even when they have never experienced affirmation from their own fathers crisis in masculinity points the way to wholeness for men and the women in their lives imprisoned in iran dan baumann 2001 god s

sukkot 2022 calendar date - Jun 30 2022

web this year 2023 multiple dates next year 2024 last year show all the festival of sukkot booths or tabernacles is celebrated for seven days in israel and eight days

sukkot is coming amazon com - Nov 04 2022

web hello sign in account lists returns orders cart

sukkot is coming sukkot is coming amazon co uk - Dec 05 2022

web oct 12 2022 it comes five days after yom kippur the holiest day in judaism this year sukkot starts after sunset on friday sept 29 and lasts until sunset on friday oct 6 in

upcoming sukkot dates when is sukkot celebrated - Aug 13 2023

web jun 25 2023 in the gregorian calendar sukkot usually falls in late september to mid october when is sukkot how many days is sukkot sukkot 2023 begins at sundown

zoukout finally announces comeback in 2022 after almost 3 years - Jan 26 2022

sukkot is coming kindle edition amazon com - Feb 24 2022

web dec 2 2022 asia s longest running dance music festival zoukout singapore is back after a three year hiatus and it

returns more electrifying than ever with a stellar lineup on 2 3

sukkot is coming by tracy newman goodreads - May 10 2023

web kids will learn about the jewish fall harvest holiday of sukkot from building the sukkah to the tradition of shaking the lulav and etrog don t know what those things are read the

sukkot is coming book by tracy newman epic - Mar 08 2023

web oct 1 2009 everything you ever wanted to know about the jewish harvest festival tablet magazine have questions about the sukkot holiday find out why sukkot the

what is sukkot a guide to the jewish holiday of - Jun 11 2023

web sukkot is coming teaches children about the sukkot holiday in a easy to understand way they will see the sukkot booth decorated notice some baking happening watch

sukkot 2023 when and what is the jewish holiday usa - Jul 12 2023

web sep 29 2023 judaism add topic what is sukkot and when is it all your jewish thanksgiving questions answered carly mallenbaum usa today 0 00 1 10 sukkot

sukkot is coming sukkot is coming newman tracy - Sep 02 2022

web nov 12 2023 sukkot 2022 sukkot for the year 2022 starts on the evening of sunday october 9th ending the 7 day festival on sundown sunday october 16th the festival in

what is sukkot the jewish celebration explained - Feb 07 2023

web sukkot is coming board book 2 oct 2017 by tracy newman author 4 7 75 ratings see all formats and editions kindle edition 3 81 read with our free app board book 5 95 3

sukkot in 2023 2024 when where why how is celebrated - Apr 28 2022

web aug 1 2017 sukkot is coming kindle edition by newman tracy garofoli viviana download it once and read it on your kindle device pc phones or tablets use features

what is sukkot everything you ever wanted to know about the - Jan 06 2023

web aug 1 2017 sukkot is coming newman tracy garofoli viviana on amazon com free shipping on qualifying offers newman tracy garofoli viviana 9781512408287

what is sukkot and how is it celebrated in the city ny1 - Oct 03 2022

web 17 ways you know sukkot is coming in israel tags sukkot am yisrael tradition arts and culture holidays by judy lash balint 1 the tourists have landed overwhelmingly

sukkot is coming tracy newman google books - May 30 2022

web sukkot and the coming of messiah in sukkot you shall dwell for seven days all citizens of israel shall dwell in sukkot

leviticus 23 42 on sunday at sunset the biblical

sukkot mother of jewish holidays religion news - Apr 09 2023

web 20 september 2021 12 58 bst last update 1 year 1 month ago this week heralds the start of the sukkot celebration one of the most important religious events in the jewish and

the sukkot 2023 calendar an overview of sukkot 5784 - Oct 15 2023

web as soon as the solemn day of yom kippur is behind us we focus on the traditions of the upcoming holiday of sukkot these four days between yom kippur and sukkot are characterized by frenetic activity purchasing of the four kinds erecting the sukkah hut

17 ways you know sukkot is coming in israel israel forever - Aug 01 2022

web kids will learn about the jewish fall harvest holiday of sukkot from building the sukkah to the tradition of shaking the lulav and etrog don t know what those things are read the

when is sukkot in 2023 2024 2025 2026 and 2027 - Sep 14 2023

web the final day of sukkot is known as hoshanah rabbah sukkot is immediately followed by the holiday of shemini atzeret and simchat torah here are the dates for sukkot for

sukkot and the coming of messiah messianic bible - Mar 28 2022

web jul 20 2022 the wait is finally over after a three year hiatus zoukout has finally announced their grand comeback this year photo zoukout taking place from 2 to 3

zoukout singapore 2022 dance music festival klook travel - Dec 25 2021

[ausbildungsreihe für notarfachangestellte beck shop de](#) - Aug 16 2023

web ausbildungsreihe für notarfachangestellte herausgegeben von der notarkasse a d Ö r münchen 8 treffer sortieren nach neu a d Ö r bernauer ziegert vollrath

notarkosten ausbildungsreihe fur notarfachangeste pdf pdf - Jun 14 2023

web notarkosten ausbildungsreihe fur notarfachangeste pdf pages 3 7 notarkosten ausbildungsreihe fur notarfachangeste pdf upload caliva p hayda 3 7 downloaded from support ortax org on september 7 2023 by caliva p hayda tom kindt 2003 01 01 what is narratology sees itself as contributing to the intensive international discussion and

[pdf notarkosten ausbildungsreihe fur notarfachangeste pdf](#) - Apr 12 2023

web notarkosten ausbildungsreihe fur notarfachangeste pdf when people should go to the books stores search instigation by shop shelf by shelf it is really problematic this is why we provide the ebook compilations in this website it will utterly ease you to look guide notarkosten ausbildungsreihe fur notarfachangeste pdf as you such as

notarkosten ausbildungsreihe fur notarfachangeste - Jan 29 2022

web notarkosten ausbildungsreihe fur notarfachangeste downloaded from etherpad arts ac uk by guest kaiya gideon eidas regulation beck hart nomos this book investigates and discusses the respective issues arising in the current discourse on climate protection from different legal perspectives

notarkosten ausbildungsreihe fur notarfachangeste - Dec 08 2022

web usually move unheard however set within the pages of notarkosten ausbildungsreihe fur notarfachangeste a charming fictional value pulsating with organic feelings lies a fantastic quest waiting to be undertaken written by a skilled wordsmith this marvelous opus attracts viewers on an

apostil işlemleri ptt den yapılabilecek habertürk - Jun 02 2022

web apr 1 2018 apostil işlemleri ptt den yapılabilecek ptt aŞ tarafından oluşturulacak platformla isim ve diploma denkliği öğrenci belgesi vekaletname gibi evraklar devlet kurumlarının ya da noterin

notarkosten ausbildungsreihe fur notarfachangeste - Mar 31 2022

web may 24 2023 notarkosten ausbildungsreihe fur notarfachangeste 2 4 downloaded from uniport edu ng on may 24 2023 by guest judgments and statements of the law are reported in full six individual volumes are issued per annum plus an index covering volumes 1 50the complete set consists of 60 volumesfor price details please

notarkosten ausbildungsreihe für notarfachangestellte 1 auflage - Nov 07 2022

web may 26 2023 notarkosten ausbildungsreihe für notarfachangestellte 1 auflage by notarkasse münchen a d ö r werner tiedtke notarkosten ausbildungsreihe für notarfachangestellte 1 auflage by notarkasse münchen a d ö r werner tiedtke ausbildungsreihe für notarfachangestellte kaufvertrag basiswissen im notariat 2

noter maaşı 2022 güncel maaşlar 2023 - May 01 2022

web emeklilere noter tasdikli sözümüz var her bayram bir vercel 15 dic 2021 noterlik mesleğini yapanlar 2022 noter maaşı olarak noterlik mesleğini yapan kişiler aylık olarak ortalama 9500 11250 tl dolaylarında bir maaş 3

notarkosten ausbildungsreihe für notarfachangestellte 1 auflage - Oct 06 2022

web jun 14 2023 notarkosten ausbildungsreihe für notarfachangestellte 1 auflage by notarkasse münchen a d ö r werner tiedtke sich ausschließlich mit dem kostenrecht in allen notariellen fachbereichen neben ausführungen zu

notarkosten ausbildungsreihe fur notarfachangeste pdf book - Jan 09 2023

web notarkosten ausbildungsreihe fur notarfachangeste pdf eventually you will completely discover a supplementary experience and exploit web notarkosten ausbildungsreihe fur notarfachangeste pdf can be taken as well as picked to act butterworths company law cases 1983 d d prentice 1984

notarkosten ausbildungsreihe für notarfachangestellte 1 auflage - Mar 11 2023

web notarkosten ausbildungsreihe für notarfachangestellte 1 auflage by notarkasse münchen a d ö r werner tiedtke survey thecube gr keywords basiswissen im notariat 2 auflage ausbildungsreihe für wohnungs und teileigentum ausbildungsreihe für ausbildungsreihe für notarfachangestellte kaufvertrag created date 5 20 2023 5 17 10

notarkosten ausbildungsreihe fur notarfachangeste - Sep 05 2022

web knowledge that people have see numerous times for their favorite books in the same way as this notarkosten ausbildungsreihe fur notarfachangeste but stop in the works in harmful downloads rather than enjoying a good pdf afterward a mug of coffee in the afternoon instead they juggled when some harmful virus inside their computer

ausbildungsreihe für notarfachangestellte blog deutscher - Jul 15 2023

web dec 3 2020 die ausbildungsreihe für notarfachangestellte vermittelt in mittlerweile 17 einzelbänden die komplette bandbreite eines notariellen fachgebiets von den grundlagen bis hin zu komplexen fallgestaltungen um die anwendung des erlernten zu erleichtern enthält jedes buch ein kapitel zur wissensüberprüfung

notarkosten ausbildungsreihe fur notarfachangeste pdf copy - Feb 10 2023

web this extraordinary book aptly titled notarkosten ausbildungsreihe fur notarfachangeste pdf published by a very acclaimed author immerses readers in a captivating exploration of the significance of language and its profound effect on our existence

notarkosten ausbildungsreihe fur notarfachangeste pdf - Dec 28 2021

web this notarkosten ausbildungsreihe fur notarfachangeste pdf as one of the most vigorous sellers here will enormously be in the middle of the best options to review european general data protection regulation indra spiecker gen döhmann 2021 02 25

ausbildung notarfachangestellte r düsseldorf 2024 aktuelle - Jul 03 2022

web sep 8 2023 ausbildung notarfachangestellte r düsseldorf 2024 und 2025 aktuelle ausbildungsangebote notarfachangestellte r düsseldorf und umgebung findest du auf ausbildungsstellen de

notarkosten ausbildungsreihe fur notarfachangeste 2023 - Feb 27 2022

web it is your unquestionably own become old to play act reviewing habit among guides you could enjoy now is notarkosten ausbildungsreihe fur notarfachangeste below talking democracy at the united nations sophie eisentraut 2020 08 13 rechtmäßige herrschaft auf internationaler ebene verlangt zunehmend die einhaltung demokratischer standards

notarkosten ausbildungsreihe fur notarfachangeste pdf free - Aug 04 2022

web title notarkosten ausbildungsreihe fur notarfachangeste pdf free blog watchshopping com created date 8 31 2023 8 22 20 pm

notarkosten ausbildungsreihe fur notarfachangeste pdf pdf - May 13 2023

web apr 5 2023 numerous period for their favorite books past this notarkosten ausbildungsreihe fur notarfachangeste pdf but end stirring in harmful downloads rather than enjoying a fine pdf behind a cup of coffee in the afternoon on the other hand they juggled following some harmful virus inside their computer notarkosten