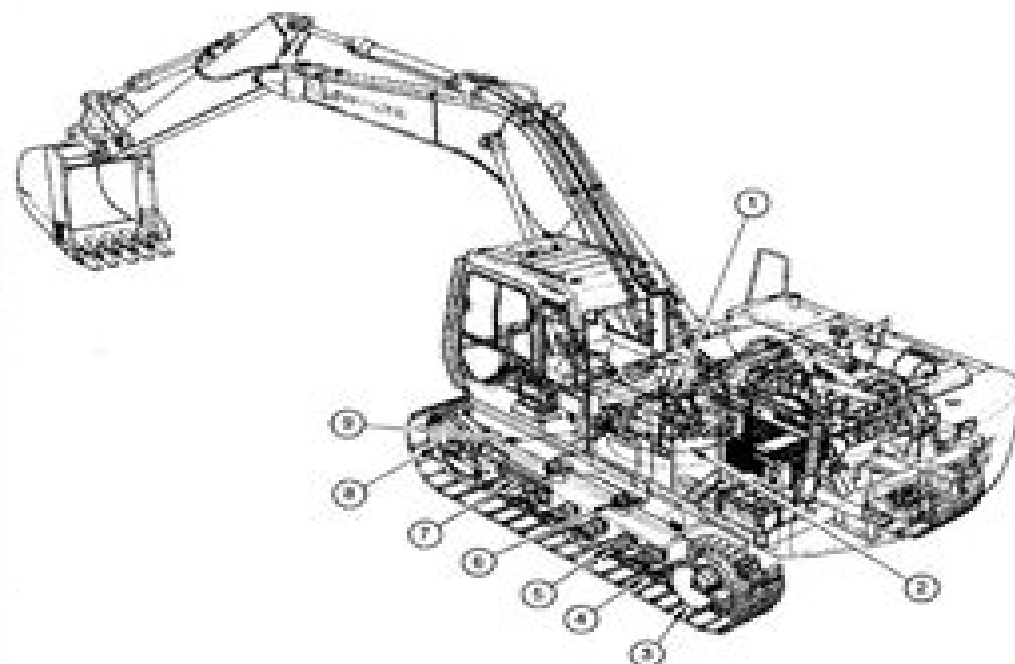




## UNDERCARRIAGE / Component Location

EX200-2

### COMPONENT LOCATION



7140104-000

The undercarriage functions to travel and supports the superstructure.  
 The undercarriage consists of track frame (9), center joint (1), swing bearing (2), front idler (8), adjuster (7), upper roller (6), lower roller (5), track link (4) and travel device (3).

- |                   |                  |
|-------------------|------------------|
| 1 - Center joint  | 6 - Upper Roller |
| 2 - Swing Bearing | 7 - Adjuster     |
| 3 - Travel Device | 8 - Front idler  |
| 4 - Track Link    | 9 - Track Frame  |
| 5 - Lower Roller  |                  |

# Hitachi Excavator Ex200 Manual

**R. Parish, C. M. Johnson, G.  
Montgomery, A. Vyse, R. A. Willis, D.  
Winston, D.P. Lavender**

## Hitachi Excavator Ex200 Manual:

Technical Note - Forest Engineering Research Institute of Canada ,1994 No 1 13 are short term studies with no 14 becomes a series of supplementary reports summarizing the results of longer term data collection *Regenerating British Columbia's Forests* R. Parish,C. M. Johnson,G. Montgomery,A. Vyse,R. A. Willis,D. Winston,D.P. Lavender,2011-11-01 Reforestation is a subject vital to the economy of British Columbia which depends heavily on its forests a valuable but expendable resource This book provides silviculturalists with a broad reference to the science and technology of reforestation in the Canadian province that forms the single most diverse forest region in North America The work combines for the first time both experiences recorded from practical reforestation projects and the results of scientific investigations The chapters of *Regenerating British Columbia s Forests* were compiled and reviewed by experts in each field of discussion Topics include the physiological bases for seedling vigour and the interaction of reforestation with seedling physiology the ecology of British Columbia s bioclimatic zones and the role of ecological site classification the application of financial analyses to reforestation decisions current technology in manual mechanical and chemical site preparation and in the use of fire to prepare planting sites recent progress in tree genetics and breeding and its relevance to the production of tree propagules nursery technology methodology in planting evaluation techniques of plantation release and the role of insects disease and small mammals and birds in the reforestation process *Regenerating British Columbia s Forests* will assist those responsible for planning reforestation projects to reach informed decisions and will challenge them to consider primarily the biological factors basic to reforestation success rather than short term costs and production technology Although its main audience is practising foresters and forestry students of British Columbia the text will be of considerable interest to foresters in other parts of Canada the United States and Europe who manage reforestation New Zealand Forest Industries ,1995 *List of FERIC Publications, 1975-1995* Forest Engineering Research Institute of Canada,1996 *Commerce Business Daily* ,1999-03 **Timber Bulletin** ,2000 **Union Agriculturist and Western Prairie Farmer** ,1998-09 *Operation Manual* ,198? Operator's Manual: Hydraulic Excavator, John Deere, Model 230LCR, NSN 3805-01-463-0804 and Model 230LCRD with Rock Drill, NSN 3805-01-463-0806 , **Hydraulic Excavator** Association of Equipment Manufacturers,2003 **Operation & Maintenance Manual** Caterpillar Inc.Peoria, Ill.,1994 *Operation & Maintenance Manual* Caterpillar Inc. Peoria, Ill.,1994 **Operation & Maintenance Manual** Caterpillar Inc.Peoria, Ill.,1994 **Operation and Maintenance Manual** ,1988 Operation & Maintenance Manual Caterpillar Inc. Peoria, Ill.,1988 **Operation & Maintenance Manual** Caterpillar Inc. Peoria, Ill.,1992 Operation & Maintenance Manual Caterpillar Inc.Peoria, Ill.,1996 *Operation & Maintenance Manual* Caterpillar Inc.Peoria, Ill.,1997 **Operation & Maintenance Manual** Caterpillar Inc.Peoria, Ill.,1994 **Operation & Maintenance Manual** Caterpillar Inc. Peoria, Ill.,1992

## Unveiling the Power of Verbal Art: An Psychological Sojourn through **Hitachi Excavator Ex200 Manual**

In a world inundated with monitors and the cacophony of quick conversation, the profound power and mental resonance of verbal artistry frequently fade into obscurity, eclipsed by the constant onslaught of noise and distractions. However, set within the musical pages of **Hitachi Excavator Ex200 Manual**, a fascinating function of fictional beauty that pulses with fresh feelings, lies an unforgettable trip waiting to be embarked upon. Written with a virtuoso wordsmith, that enchanting opus manuals readers on a mental odyssey, lightly revealing the latent potential and profound impact embedded within the delicate web of language. Within the heart-wrenching expanse of the evocative examination, we can embark upon an introspective exploration of the book is main subjects, dissect its charming writing design, and immerse ourselves in the indelible impact it leaves upon the depths of readers souls.

<https://py.bijouxmedusa.com/files/uploaded-files/HomePages/stp%2021%201%20pdf%20wordpress.pdf>

### **Table of Contents Hitachi Excavator Ex200 Manual**

1. Understanding the eBook Hitachi Excavator Ex200 Manual
  - The Rise of Digital Reading Hitachi Excavator Ex200 Manual
  - Advantages of eBooks Over Traditional Books
2. Identifying Hitachi Excavator Ex200 Manual
  - Exploring Different Genres
  - Considering Fiction vs. Non-Fiction
  - Determining Your Reading Goals
3. Choosing the Right eBook Platform
  - Popular eBook Platforms
  - Features to Look for in an Hitachi Excavator Ex200 Manual
  - User-Friendly Interface
4. Exploring eBook Recommendations from Hitachi Excavator Ex200 Manual
  - Personalized Recommendations

- Hitachi Excavator Ex200 Manual User Reviews and Ratings
- Hitachi Excavator Ex200 Manual and Bestseller Lists
- 5. Accessing Hitachi Excavator Ex200 Manual Free and Paid eBooks
  - Hitachi Excavator Ex200 Manual Public Domain eBooks
  - Hitachi Excavator Ex200 Manual eBook Subscription Services
  - Hitachi Excavator Ex200 Manual Budget-Friendly Options
- 6. Navigating Hitachi Excavator Ex200 Manual eBook Formats
  - ePub, PDF, MOBI, and More
  - Hitachi Excavator Ex200 Manual Compatibility with Devices
  - Hitachi Excavator Ex200 Manual Enhanced eBook Features
- 7. Enhancing Your Reading Experience
  - Adjustable Fonts and Text Sizes of Hitachi Excavator Ex200 Manual
  - Highlighting and Note-Taking Hitachi Excavator Ex200 Manual
  - Interactive Elements Hitachi Excavator Ex200 Manual
- 8. Staying Engaged with Hitachi Excavator Ex200 Manual
  - Joining Online Reading Communities
  - Participating in Virtual Book Clubs
  - Following Authors and Publishers Hitachi Excavator Ex200 Manual
- 9. Balancing eBooks and Physical Books Hitachi Excavator Ex200 Manual
  - Benefits of a Digital Library
  - Creating a Diverse Reading Collection Hitachi Excavator Ex200 Manual
- 10. Overcoming Reading Challenges
  - Dealing with Digital Eye Strain
  - Minimizing Distractions
  - Managing Screen Time
- 11. Cultivating a Reading Routine Hitachi Excavator Ex200 Manual
  - Setting Reading Goals Hitachi Excavator Ex200 Manual
  - Carving Out Dedicated Reading Time
- 12. Sourcing Reliable Information of Hitachi Excavator Ex200 Manual
  - Fact-Checking eBook Content of Hitachi Excavator Ex200 Manual

- Distinguishing Credible Sources
- 13. Promoting Lifelong Learning
  - Utilizing eBooks for Skill Development
  - Exploring Educational eBooks
- 14. Embracing eBook Trends
  - Integration of Multimedia Elements
  - Interactive and Gamified eBooks

### **Hitachi Excavator Ex200 Manual Introduction**

Free PDF Books and Manuals for Download: Unlocking Knowledge at Your Fingertips In today's fast-paced digital age, obtaining valuable knowledge has become easier than ever. Thanks to the internet, a vast array of books and manuals are now available for free download in PDF format. Whether you are a student, professional, or simply an avid reader, this treasure trove of downloadable resources offers a wealth of information, conveniently accessible anytime, anywhere. The advent of online libraries and platforms dedicated to sharing knowledge has revolutionized the way we consume information. No longer confined to physical libraries or bookstores, readers can now access an extensive collection of digital books and manuals with just a few clicks. These resources, available in PDF, Microsoft Word, and PowerPoint formats, cater to a wide range of interests, including literature, technology, science, history, and much more. One notable platform where you can explore and download free Hitachi Excavator Ex200 Manual PDF books and manuals is the internet's largest free library. Hosted online, this catalog compiles a vast assortment of documents, making it a veritable goldmine of knowledge. With its easy-to-use website interface and customizable PDF generator, this platform offers a user-friendly experience, allowing individuals to effortlessly navigate and access the information they seek. The availability of free PDF books and manuals on this platform demonstrates its commitment to democratizing education and empowering individuals with the tools needed to succeed in their chosen fields. It allows anyone, regardless of their background or financial limitations, to expand their horizons and gain insights from experts in various disciplines. One of the most significant advantages of downloading PDF books and manuals lies in their portability. Unlike physical copies, digital books can be stored and carried on a single device, such as a tablet or smartphone, saving valuable space and weight. This convenience makes it possible for readers to have their entire library at their fingertips, whether they are commuting, traveling, or simply enjoying a lazy afternoon at home. Additionally, digital files are easily searchable, enabling readers to locate specific information within seconds. With a few keystrokes, users can search for keywords, topics, or phrases, making research and finding relevant information a breeze. This efficiency saves time and effort, streamlining the learning process and allowing individuals to focus on extracting the

information they need. Furthermore, the availability of free PDF books and manuals fosters a culture of continuous learning. By removing financial barriers, more people can access educational resources and pursue lifelong learning, contributing to personal growth and professional development. This democratization of knowledge promotes intellectual curiosity and empowers individuals to become lifelong learners, promoting progress and innovation in various fields. It is worth noting that while accessing free Hitachi Excavator Ex200 Manual PDF books and manuals is convenient and cost-effective, it is vital to respect copyright laws and intellectual property rights. Platforms offering free downloads often operate within legal boundaries, ensuring that the materials they provide are either in the public domain or authorized for distribution. By adhering to copyright laws, users can enjoy the benefits of free access to knowledge while supporting the authors and publishers who make these resources available. In conclusion, the availability of Hitachi Excavator Ex200 Manual free PDF books and manuals for download has revolutionized the way we access and consume knowledge. With just a few clicks, individuals can explore a vast collection of resources across different disciplines, all free of charge. This accessibility empowers individuals to become lifelong learners, contributing to personal growth, professional development, and the advancement of society as a whole. So why not unlock a world of knowledge today? Start exploring the vast sea of free PDF books and manuals waiting to be discovered right at your fingertips.

### FAQs About Hitachi Excavator Ex200 Manual Books

1. Where can I buy Hitachi Excavator Ex200 Manual books? Bookstores: Physical bookstores like Barnes & Noble, Waterstones, and independent local stores. Online Retailers: Amazon, Book Depository, and various online bookstores offer a wide range of books in physical and digital formats.
2. What are the different book formats available? Hardcover: Sturdy and durable, usually more expensive. Paperback: Cheaper, lighter, and more portable than hardcovers. E-books: Digital books available for e-readers like Kindle or software like Apple Books, Kindle, and Google Play Books.
3. How do I choose a Hitachi Excavator Ex200 Manual book to read? Genres: Consider the genre you enjoy (fiction, non-fiction, mystery, sci-fi, etc.). Recommendations: Ask friends, join book clubs, or explore online reviews and recommendations. Author: If you like a particular author, you might enjoy more of their work.
4. How do I take care of Hitachi Excavator Ex200 Manual books? Storage: Keep them away from direct sunlight and in a dry environment. Handling: Avoid folding pages, use bookmarks, and handle them with clean hands. Cleaning: Gently dust the covers and pages occasionally.

5. Can I borrow books without buying them? Public Libraries: Local libraries offer a wide range of books for borrowing. Book Swaps: Community book exchanges or online platforms where people exchange books.
6. How can I track my reading progress or manage my book collection? Book Tracking Apps: Goodreads, LibraryThing, and Book Catalogue are popular apps for tracking your reading progress and managing book collections. Spreadsheets: You can create your own spreadsheet to track books read, ratings, and other details.
7. What are Hitachi Excavator Ex200 Manual audiobooks, and where can I find them? Audiobooks: Audio recordings of books, perfect for listening while commuting or multitasking. Platforms: Audible, LibriVox, and Google Play Books offer a wide selection of audiobooks.
8. How do I support authors or the book industry? Buy Books: Purchase books from authors or independent bookstores. Reviews: Leave reviews on platforms like Goodreads or Amazon. Promotion: Share your favorite books on social media or recommend them to friends.
9. Are there book clubs or reading communities I can join? Local Clubs: Check for local book clubs in libraries or community centers. Online Communities: Platforms like Goodreads have virtual book clubs and discussion groups.
10. Can I read Hitachi Excavator Ex200 Manual books for free? Public Domain Books: Many classic books are available for free as they're in the public domain. Free E-books: Some websites offer free e-books legally, like Project Gutenberg or Open Library.

### **Find Hitachi Excavator Ex200 Manual :**

[stp 21 1 pdf wordpress](#)

[strategi peningkatan kapasitas modal sosial dan kualitas](#)

[student exploration gravity pitch answers](#)

**start stop corghi**

[stock trading adventures the systematic traders 12 secrets on how to make profits in the market stock trading guide book 6](#)

[ssd1 module 4 exam questions and answers](#)

[strategic analysis with mckinsey 7s framework pdf download](#)

[sustainable agroecosystem management integrating ecology economics and society advances in agroecology](#)

[supply chain management chopra meindl solutions](#)

[strategies for creative problem solving download](#)

[stats data and models mystatlab student access code card](#)

**stress and job performance theory research and implications for managerial practice advanced topics in organizational behavior**

sspc paint 15

*summary of chapter six of how europe underdeveloped africa*

subsea trees ge oil gas

**Hitachi Excavator Ex200 Manual :**

books similar to his as payment mafia masters 1 goodreads - Jun 01 2022

web favorite books like this his as payment a dark mafia romance mafia masters but end up in harmful downloads rather than enjoying a good book with a cup of coffee in the

his as payment a dark mafia romance mafia masters book 1 - Sep 04 2022

web books similar to his as payment mafia masters 1 his as payment mafia masters 1 by piper stone 3 82 avg rating 2 106 ratings a dark mafia romance when i want

**amazon com customer reviews his as payment a dark mafia** - Nov 06 2022

web his as payment a dark mafia romance stone piper amazon com au books skip to main content com au delivering to sydney 1171 to change sign in or enter a postcode

**his as payment a dark mafia romance mafia masters** - Feb 09 2023

web jul 6 2019 his as payment a dark mafia romance mafia masters book 1 english edition ebook stone piper amazon de kindle store

**his as payment a dark mafia romance mafia** - Oct 05 2022

web oct 2 2019 his as payment a dark mafia romance mafia masters by piper stone click here for the lowest price paperback 9781086246490 1086246497

his as payment a dark mafia romance mafia masters - Jul 02 2022

web his as payment a dark mafia romance mafia masters book 1 ebook stone piper amazon in kindle ☐ ☐ ☐

his as payment a dark mafia romance mafia masters - Jan 08 2023

web find helpful customer reviews and review ratings for his as payment a dark mafia romance mafia masters book 1 at amazon com read honest and unbiased product

**his as payment a dark mafia romance amazon com au** - Aug 03 2022

web sep 28 2021 his as payment a dark mafia romance mafia masters book 1 is available for free download in a number of formats including epub pdf azw mobi and

**his as payment a dark mafia romance mafia masters** - Jun 13 2023

web his as payment by piper stone 3 82 2 129 ratings 189 reviews published 2019 7 editions a dark mafia romance when i want something i make want to read

[mafia masters series by piper stone goodreads](#) - May 12 2023

web jul 26 2019 his as payment a dark mafia romance mafia masters book 1 kindle edition by piper stone author format kindle edition 4 2 out of 5 stars 2 092 ratings

**his as payment a dark mafia romance mafia masters book 1** - Dec 07 2022

web jul 25 2019 when i want something i make it mine i want her caroline hargrove thinks she is mine because her father owed me a debt but that isn t why she is sitting in my car

[his as payment a dark mafia romance mafia masters](#) - Mar 10 2023

web aug 3 2006 abebooks com his as payment a dark mafia romance mafia masters used book that is in clean average condition without any missing pages his as

**taken as collateral a dark mafia romance mafia** - Apr 30 2022

web 4 his as payment a dark mafia romance mafia masters 2020 09 15 lord propser and bo relish their new family and life of petty crime but their cruel aunt and a bumbling

[his as payment a dark mafia romance mafia masters pdf](#) - Jan 28 2022

**his as payment a dark mafia romance mafia masters book 1** - Apr 11 2023

web buy his as payment a dark mafia romance mafia masters by stone piper isbn 9781086246490 from amazon s book store everyday low prices and free delivery on

**pdf download his as payment a dark mafia romance mafia** - Mar 30 2022

web epub his as payment a dark mafia romance mafia masters pdf you can download and read online pdf file book his as payment a dark mafia romance mafia masters only if you are registered

[his as payment mafia masters 1 by piper stone goodreads](#) - Jul 14 2023

web oct 2 2019 his as payment a dark mafia romance mafia masters paperback october 2 2019 by piper stone author 4 2 4 2 out of 5 stars 2 187 ratings

**his as payment a dark mafia romance mafia masters book 1** - Feb 26 2022

**his as payment a dark mafia romance mafia masters** - Aug 15 2023

web 4 star review of his as payment mafia masters 1 by piper stone audio review both author piper stone and narrator jack

calihan are new to me normally mafia stories are

**his as payment a dark mafia romance mafia masters pdf** - Nov 25 2021

*his as payment a dark mafia romance mafia masters* - Dec 27 2021

**discrete mathematics an open introduction 3rd edition** - Jun 01 2023

web apr 15 2015 written with a strong pedagogical focus this second edition of the book continues to provide an exhaustive presentation of the fundamental concepts of discrete

**discrete mathematics iyengar n ch s n chandrasekaran v m** - Mar 30 2023

web nov 15 2003 this textbook introduces discrete mathematics by emphasizing the importance of reading and writing proofs because it begins by carefully establishing a

**a textbook of discrete mathematics 9th edition google books** - Aug 03 2023

web this textbook provides an introduction to some fundamental concepts in discrete mathematics and the important role this subject plays in computer science every topic

**discrete mathematics by n chandrasekaran goodreads** - Jan 28 2023

web discrete mathematics iyengar n ch s n chandrasekaran v m venkalesh k a arunachalam p s 2003 11 01 student friendly and comprehensive this book covers

*discrete mathematics request pdf researchgate* - Dec 27 2022

web discrete mathematics 245 1 3 293 298 2002 9 2002 on some aspects of generalized petersen graph v yegnanarayanan v 8 2016 on certain graph domination numbers

discrete mathematics venkataraman online kptm edu my - Mar 18 2022

web may 23 2023 discrete mathematics venkataraman 1 9 downloaded from uniport edu ng on may 23 2023 by guest discrete mathematics venkataraman right here we have

**discrete mathematics by venkataraman pdf united states** - Jul 22 2022

web nov 1 2023 discrete mathematics comprises a lot of topics which are sets relations and functions mathematical logic probability counting theory graph theory group theory

v yegnanarayanan google scholar - Sep 23 2022

web syllabus unit 1 binary operations group semi group monoid abelian group subgroup simple theorems without proof boolean algebra definition principle of duality theorems

**download pdf discrete mathematics venkataraman pdf** - Jan 16 2022

[discrete mathematics venkataraman uniport edu ng](#) - Dec 15 2021

*discrete mathematics venkataraman pdf vdocuments site* - Oct 05 2023

web dec 26 2015 discrete mathematics venkataraman pdf download here 1 2 pdfsdocuments com out php q discrete mathematics venkataraman

**15ma203 discrete mathematics** - Jul 02 2023

web discrete mathematics for information technology lt p c 40 0 4 co requisite not applicable prerequisite 15ma102 data book codes standards not

**discrete mathematics n chandrasekaran m** - Apr 30 2023

web nov 1 2003 discrete mathematics author iyengar n ch s n chandrasekaran v m venkalesh k a arunachalam p s edition illustrated publisher vikas publishing

*swaminathan venkataraman professor assistant* - Feb 26 2023

web numerical analysis in science and engineering discrete mathematics venkataraman pdf pdf document numerical methods in materials science and engineering numerical

*discrete mathematics venkataraman* - Oct 25 2022

web feb 22 2023 pinthira tangsupphathawat department of mathematics faculty of science and technology phranakorn rajabhat university bangkok 10220 thailand abstract an

[download discrete mathematics by mk venkataraman pdf](#) - Sep 04 2023

web mathematics vol ii 3rd year part a b to study the methods of analysis of continuous time and discrete time signals and view pdf dr m k venkataraman dr n

**download discrete mathematics pdf online 2020 by vikas** - Aug 23 2022

web discrete mathematics venkataraman tutti i cognomi may 7th 2018 down and out distance of crash scene frantically went door kazhegeldin bloomquist earlene arthur s

*discrete mathematics venkataraman uniport edu ng* - Feb 14 2022

**discrete mathematics amrita vishwa vidyapeetham** - Jun 20 2022

web sep 18 2023 discrete mathematics venkataraman author online kptm edu my 2023 09 18 10 12 16 subject discrete mathematics venkataraman keywords

**discrete mathematics venkataraman orientation sutd edu sg** - May 20 2022

web discrete mathematics venkataraman 2 10 downloaded from uniport edu ng on march 28 2023 by guest parallelgenetic

algorithms parallel genetic programming

*venkataraman numerical methods for science and engineering* - Nov 25 2022

web discrete mathematics by n ch s n iyengar v m chandrasekaran k a venkalesh p s arunachalam book summary student friendly and comprehensive this book covers

**discrete mathematics concepts formulas problems and** - Apr 18 2022

web download discrete mathematics venkataraman pdf download document discrete mathematics venkataraman pdf download here 1 2 department of

*wohlgeformtes xml kurz und bundig by stefan kayser* - Apr 17 2023

web jul 23 2007 buy wohlgeformtes xml kurz und bundig by stefan kayser from waterstones today click and collect from your local waterstones or get free uk

**wohlgeformtes xml kurz und bundig pdf** - May 18 2023

web kenntnisse in xml haben kurz und bündig wird alles wissenswerte über wohlgeformtes xml erklärt und so die grundlage für eine individuelle weiterbeschäftigung mit dem

wohlgeformtes xml kurz und bündig kobo com - Feb 15 2023

web read wohlgeformtes xml kurz und bündig kurz und bündig by stefan kayser available from rakuten kobo skript aus dem jahr 2004 im fachbereich informatik

xml regeln wohlgeformtheit selfhtml wiki - Oct 23 2023

web es handelt sich aus folgenden gründen um eine wohlgeformte xml datei am beginn steht die seite xml deklaration die den bezug zu xml herstellt es gibt mindestens ein

wohlgeformtes xml kurz und bündig stefan kayser e book - Aug 09 2022

web e book wohlgeformtes xml kurz und bündig stefan kayser epub kaufen sie jetzt

**wohlgeformtes xml kurz und bündig google books** - Sep 22 2023

web kurz und bündig wird alles wissenswerte über wohlgeformtes xml erklärt und so die grundlage für eine individuelle weiterbeschäftigung mit dem thema gelegt sie hält sich

**wohlgeformtes xml kurz und bündig kartoniertes buch** - Jul 08 2022

web skript aus dem jahr 2004 im fachbereich informatik programmierung note keine sprache deutsch abstract xml ist ein unabhängiges datenformat das sich in rasend

**wohlgeformtes xml kurz und bundig german by kayser and** - Jun 07 2022

web purchase wohlgeformtes xml kurz und bundig german by kayser and stefan online buy 9783638649056 at 24 discount quick delivery justified pricing only at lsnet in

**kurz und bundig buy wohlgeformtes xml flipkart** - May 06 2022

web wohlgeformtes xml kurz und bundig by kayser stefan from flipkart com only genuine products 30 day replacement guarantee free shipping cash on delivery

*wohlgeformtes xml kurz und bundig uniport edu* - Dec 01 2021

web may 1 2023 xml pocket reference robert eckstein 2001 the xml pocket reference 2nd edition is both a handy introduction to xml terminology and syntax and a quick

*wohlgeformtheit und gültigkeit xml xml co homepage* - Sep 10 2022

web die wohlgeformtheit eines xml dokuments ist i d r erforderlich um das dokument überhaupt richtig verarbeiten zu können die gültigkeit auch als validität bezeichnet

**wohlgeformtes xml kurz und bündig e book epub papillon** - Jun 19 2023

web skript aus dem jahr 2004 im fachbereich informatik programmierung note keine sprache deutsch abstract xml ist ein unabhängiges datenformat das sich in rasend

**wohlgeformtes xml kurz und bündig goodreads** - Nov 12 2022

web skript aus dem jahr 2004 im fachbereich informatik programmierung keine deutsch xml ist ein unabhängiges datenformat das sich in rasend schneller zeit zum standard

**wohlgeformtes xml kurz und bundig by stefan kayser alibris** - Jan 14 2023

web buy wohlgeformtes xml kurz und bundig by stefan kayser online at alibris we have new and used copies available in 1 editions starting at 17 90 shop now

**wohlgeformtes xml kurz und bündig paperback amazon** - Jul 20 2023

web hello select your address all

**wohlgeformtes xml kurz und bündig google books** - Aug 21 2023

web wohlgeformtes xml kurz und bündig ist eine leicht verständliche schnelleinführung für leser die einfache oder noch keine kenntnisse in xml haben kurz und bündig wird

*wohlgeformtes xml kurz und bündig ab 4 90* - Mar 04 2022

web ein schwerpunkt seiner arbeit ist seitdem xml abstract xml ist ein unabhängiges datenformat das sich in rasend schneller zeit zum standard einer übergreifenden

**wohlgeformtes xml kurz und bundig wrbb neu** - Feb 03 2022

web wohlgeformtes xml kurz und bundig 2020 01 22 rhys emiliano python programmierung für germanist innen walter de gruyter java and xml 3rd edition

**wohlgeformtes xml kurz und bündig grin** - Dec 13 2022

web dieser text ist eine leicht verständliche schnelleinführung für leser die einfache oder vielleicht noch gar keine kenntnisse in xml haben kurz und bündig wird alles

*wohlgeformtes xml kurz und bundig uniport edu* - Jan 02 2022

web feb 20 2023 wohlgeformtes xml kurz und bundig 2 9 downloaded from uniport edu ng on february 20 2023 by guest the stylesheets needed for viewing documents in the next

*wohlgeformtes xml kurz und bundig* - Apr 05 2022

web title wohlgeformtes xml kurz und bundig subject wohlgeformtes xml kurz und bundig created date 10 31 2023 10 43 46 am

*well formed wohlgeformte xml dokumente minimale regeln* - Oct 11 2022

web minimale regeln wohlgeformter xml dokumente jedes xml dokument besteht aus inhalt content und metainformationen markup der vollständigen selbstbeschreibung im

**wohlgeformtes xml kurz und bündig amazon in** - Mar 16 2023

web wohlgeformtes xml kurz und bündig kayser stefan amazon in books skip to main content in hello select your address books select the department you want to search