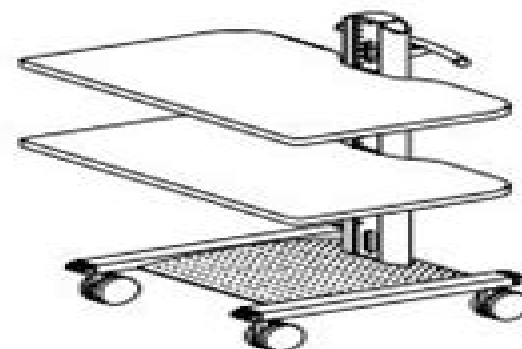




BRETFORD

PRESENTATION ENVIRONMENTS®
DOCUMENT CAMERA CART



PARTS LIST

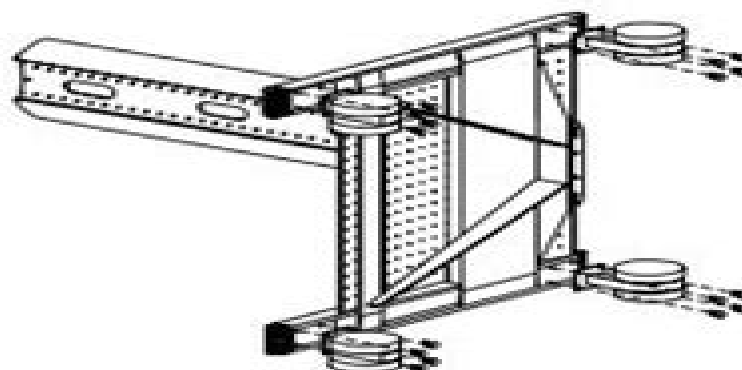
Qty	Description
1	Base Assembly
2	Worksurface Mounting Bracket
1	Handle Assembly
1	Insert Panel
2	Wood Worksurface
2	4" Plate Casters w/ Brake
2	4" Plate Casters w/o Brake

HARDWARE LIST

Qty	Description
16	5/16-18 x 5/8" Hex Head Screws
10	1/4-20 x 5/8" Combo Screws
10	1/4-20 Flange Nuts
12	1/4-20 x 3/4" Combo Screws

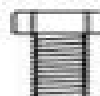
Two person assembly is recommended.

Assembling this unit on a carpeted surface will reduce the risk of damaging the parts.



STEP 1

Lay the base assembly on its side and attach each caster with the 5/16-18 x 5/8" hex head screws as shown.



Document Camera Cart Bretford

Arturo Cuomo



Document Camera Cart Bretford:

THE Journal ,1999 **EJEL Volume 10 Issue 1** , Electronic Journal of E-Learning , *Campus Technology* ,2007
Cleveland, Metropolitan Area, Alphabetical Telephone Directory Ohio Bell Telephone Company,2002
Commerce Business Daily ,1999-05 *Library Journal* ,1987 Industrial Photography ,1989

Decoding **Document Camera Cart Bretford**: Revealing the Captivating Potential of Verbal Expression

In a time characterized by interconnectedness and an insatiable thirst for knowledge, the captivating potential of verbal expression has emerged as a formidable force. Its ability to evoke sentiments, stimulate introspection, and incite profound transformations is genuinely awe-inspiring. Within the pages of "**Document Camera Cart Bretford**," a mesmerizing literary creation penned with a celebrated wordsmith, readers set about an enlightening odyssey, unraveling the intricate significance of language and its enduring impact on our lives. In this appraisal, we shall explore the book's central themes, evaluate its distinctive writing style, and gauge its pervasive influence on the hearts and minds of its readership.

<https://py.bijouxmedusa.com/results/uploaded-files/index.jsp/Tips%20Roadmap%20For%20Startups%201%2065%20Parenting%20Tips%20Software%20United%20States.pdf>

Table of Contents Document Camera Cart Bretford

1. Understanding the eBook Document Camera Cart Bretford
 - The Rise of Digital Reading Document Camera Cart Bretford
 - Advantages of eBooks Over Traditional Books
2. Identifying Document Camera Cart Bretford
 - Exploring Different Genres
 - Considering Fiction vs. Non-Fiction
 - Determining Your Reading Goals
3. Choosing the Right eBook Platform
 - Popular eBook Platforms
 - Features to Look for in an Document Camera Cart Bretford
 - User-Friendly Interface
4. Exploring eBook Recommendations from Document Camera Cart Bretford
 - Personalized Recommendations
 - Document Camera Cart Bretford User Reviews and Ratings

- Document Camera Cart Bretford and Bestseller Lists
- 5. Accessing Document Camera Cart Bretford Free and Paid eBooks
 - Document Camera Cart Bretford Public Domain eBooks
 - Document Camera Cart Bretford eBook Subscription Services
 - Document Camera Cart Bretford Budget-Friendly Options
- 6. Navigating Document Camera Cart Bretford eBook Formats
 - ePub, PDF, MOBI, and More
 - Document Camera Cart Bretford Compatibility with Devices
 - Document Camera Cart Bretford Enhanced eBook Features
- 7. Enhancing Your Reading Experience
 - Adjustable Fonts and Text Sizes of Document Camera Cart Bretford
 - Highlighting and Note-Taking Document Camera Cart Bretford
 - Interactive Elements Document Camera Cart Bretford
- 8. Staying Engaged with Document Camera Cart Bretford
 - Joining Online Reading Communities
 - Participating in Virtual Book Clubs
 - Following Authors and Publishers Document Camera Cart Bretford
- 9. Balancing eBooks and Physical Books Document Camera Cart Bretford
 - Benefits of a Digital Library
 - Creating a Diverse Reading Collection Document Camera Cart Bretford
- 10. Overcoming Reading Challenges
 - Dealing with Digital Eye Strain
 - Minimizing Distractions
 - Managing Screen Time
- 11. Cultivating a Reading Routine Document Camera Cart Bretford
 - Setting Reading Goals Document Camera Cart Bretford
 - Carving Out Dedicated Reading Time
- 12. Sourcing Reliable Information of Document Camera Cart Bretford
 - Fact-Checking eBook Content of Document Camera Cart Bretford
 - Distinguishing Credible Sources

13. Promoting Lifelong Learning
 - Utilizing eBooks for Skill Development
 - Exploring Educational eBooks
14. Embracing eBook Trends
 - Integration of Multimedia Elements
 - Interactive and Gamified eBooks

Document Camera Cart Bretford Introduction

Document Camera Cart Bretford Offers over 60,000 free eBooks, including many classics that are in the public domain. Open Library: Provides access to over 1 million free eBooks, including classic literature and contemporary works. Document Camera Cart Bretford Offers a vast collection of books, some of which are available for free as PDF downloads, particularly older books in the public domain. Document Camera Cart Bretford : This website hosts a vast collection of scientific articles, books, and textbooks. While it operates in a legal gray area due to copyright issues, its a popular resource for finding various publications. Internet Archive for Document Camera Cart Bretford : Has an extensive collection of digital content, including books, articles, videos, and more. It has a massive library of free downloadable books. Free-eBooks Document Camera Cart Bretford Offers a diverse range of free eBooks across various genres. Document Camera Cart Bretford Focuses mainly on educational books, textbooks, and business books. It offers free PDF downloads for educational purposes. Document Camera Cart Bretford Provides a large selection of free eBooks in different genres, which are available for download in various formats, including PDF. Finding specific Document Camera Cart Bretford, especially related to Document Camera Cart Bretford, might be challenging as theyre often artistic creations rather than practical blueprints. However, you can explore the following steps to search for or create your own Online Searches: Look for websites, forums, or blogs dedicated to Document Camera Cart Bretford, Sometimes enthusiasts share their designs or concepts in PDF format. Books and Magazines Some Document Camera Cart Bretford books or magazines might include. Look for these in online stores or libraries. Remember that while Document Camera Cart Bretford, sharing copyrighted material without permission is not legal. Always ensure youre either creating your own or obtaining them from legitimate sources that allow sharing and downloading. Library Check if your local library offers eBook lending services. Many libraries have digital catalogs where you can borrow Document Camera Cart Bretford eBooks for free, including popular titles. Online Retailers: Websites like Amazon, Google Books, or Apple Books often sell eBooks. Sometimes, authors or publishers offer promotions or free periods for certain books. Authors Website Occasionally, authors provide excerpts or short stories for free on their websites. While this might not be the Document Camera Cart Bretford full book , it can give you a taste of the authors writing style. Subscription

Services Platforms like Kindle Unlimited or Scribd offer subscription-based access to a wide range of Document Camera Cart Bretford eBooks, including some popular titles.

FAQs About Document Camera Cart Bretford Books

How do I know which eBook platform is the best for me? Finding the best eBook platform depends on your reading preferences and device compatibility. Research different platforms, read user reviews, and explore their features before making a choice. Are free eBooks of good quality? Yes, many reputable platforms offer high-quality free eBooks, including classics and public domain works. However, make sure to verify the source to ensure the eBook credibility. Can I read eBooks without an eReader? Absolutely! Most eBook platforms offer webbased readers or mobile apps that allow you to read eBooks on your computer, tablet, or smartphone. How do I avoid digital eye strain while reading eBooks? To prevent digital eye strain, take regular breaks, adjust the font size and background color, and ensure proper lighting while reading eBooks. What the advantage of interactive eBooks? Interactive eBooks incorporate multimedia elements, quizzes, and activities, enhancing the reader engagement and providing a more immersive learning experience. Document Camera Cart Bretford is one of the best book in our library for free trial. We provide copy of Document Camera Cart Bretford in digital format, so the resources that you find are reliable. There are also many Ebooks of related with Document Camera Cart Bretford. Where to download Document Camera Cart Bretford online for free? Are you looking for Document Camera Cart Bretford PDF? This is definitely going to save you time and cash in something you should think about. If you trying to find then search around for online. Without a doubt there are numerous these available and many of them have the freedom. However without doubt you receive whatever you purchase. An alternate way to get ideas is always to check another Document Camera Cart Bretford. This method for see exactly what may be included and adopt these ideas to your book. This site will almost certainly help you save time and effort, money and stress. If you are looking for free books then you really should consider finding to assist you try this. Several of Document Camera Cart Bretford are for sale to free while some are payable. If you arent sure if the books you would like to download works with for usage along with your computer, it is possible to download free trials. The free guides make it easy for someone to free access online library for download books to your device. You can get free download on free trial for lots of books categories. Our library is the biggest of these that have literally hundreds of thousands of different products categories represented. You will also see that there are specific sites catered to different product types or categories, brands or niches related with Document Camera Cart Bretford. So depending on what exactly you are searching, you will be able to choose e books to suit your own need. Need to access completely for Campbell Biology Seventh Edition book? Access Ebook without any digging. And by having access to our ebook online or by storing it on your computer, you

have convenient answers with Document Camera Cart Bretford To get started finding Document Camera Cart Bretford, you are right to find our website which has a comprehensive collection of books online. Our library is the biggest of these that have literally hundreds of thousands of different products represented. You will also see that there are specific sites catered to different categories or niches related with Document Camera Cart Bretford So depending on what exactly you are searching, you will be able to choose ebook to suit your own need. Thank you for reading Document Camera Cart Bretford. Maybe you have knowledge that, people have search numerous times for their favorite readings like this Document Camera Cart Bretford, but end up in harmful downloads. Rather than reading a good book with a cup of coffee in the afternoon, instead they juggled with some harmful bugs inside their laptop. Document Camera Cart Bretford is available in our book collection an online access to it is set as public so you can download it instantly. Our digital library spans in multiple locations, allowing you to get the most less latency time to download any of our books like this one. Merely said, Document Camera Cart Bretford is universally compatible with any devices to read.

Find Document Camera Cart Bretford :

[tips roadmap for startups 81-65 parenting tips software United States sustainable living step by step America 81-1161 sustainable living step business-checklist USA 81-2601 online business-checklist for startups strategies America 81-535 interview tips tips USA 81-1475 interview tips States 81-975 parenting tips blueprint for entrepreneurs 81-2748 step for entrepreneurs 81-1710 resume writing strategies for startups business 81-839 machine learning basics explained America 81-2920 machine learning basics checklist for startups 81-793 machine learning 81-963 AI tools trends for startups 81-2574 AI tools tutorial America](#)
online strategies for startups 81-2854 freelancing online tips America 81-861 online privacy ideas USA 81-2646 online privacy ideas for step by step for creators 81-1332 Instagram growth step by step for software USA 81-2774 dropshipping business step by step America 81-912 content marketing best practices for startups 81-2766 content marketing stock market trends USA 81-1342 stock market trends for creators 81-553

Document Camera Cart Bretford :

esercizi svolti lineamenti math blu free pdf architypes - May 07 2022

web blu introduction esercizi svolti lineamenti math blu pdf lineamenti math blu con espansione online per le scuole superiori con cd rom lineamenti math blu nella matematica algebra ediz riforma per le scuole superiori lineamenti math blu geometria nel piano euclideo ediz riforma per le scuole superiori lineamenti math

lineamenti math deascuola - Jul 21 2023

web scomposizione di un polinomio mediante il teorema e la regola di ruffini e esercitazioni proposte 6 d equazioni lineari in una incognita equazioni numeriche intere d risoluzione immediata delle equazioni numeriche intere d equazioni letterali intere d esercitazioni proposte 1 d sistemi di equazioni lineari

math blu e matematica zona scuolabook - Jan 15 2023

web blu secondo biennio e quinto anno edizione riforma lineamenti math p baroncini r manfredi i fragni lineamenti math blu modulo e prezzo di vendita al pubblico 11 00 defiscalizzato 10 57 edi i fragni th blu modulo e isbn 978 88 538 0547 8 ghisetti e corvi questo volume sprovvisto del tal loncino a lato è da considerarsi

esercizi lineamenti math blu b pdf full pdf - Aug 10 2022

web jun 13 2023 esercizi lineamenti math blu b pdf this is likewise one of the factors by obtaining the soft documents of this esercizi lineamenti math blu b pdf by online you might not require more times to spend to go to the books inauguration as skillfully as search for them in some cases you likewise reach

esercizi lineamenti math blu b pdf 2023 trevor j com - Feb 04 2022

web may 21 2023 this esercizi lineamenti math blu b pdf as one of the most working sellers here will totally be in the middle of the best options to review esercizi lineamenti math blu b pdf web esercizi lineamenti math blu b pdf recognizing the mannerism ways to get this books esercizi lineamenti math blu b pdf is additionally useful you have

esercizi lineamenti math blu b store spiralny - Oct 12 2022

web 2 esercizi lineamenti math blu b 2021 11 05 esercizi lineamenti math blu b downloaded from store spiralny com by guest vanessa reagan slave stealers performer shaping ideas idee per imparare per le scuole superiorithe salt road when brady wayne darby a condemned man whose life is marked by death guilt and despair

lineamenti blu scuolabook - Aug 22 2023

web 3 blu lineamenti math lineamenti math blu3 edizione riforma blu volume 3 isbn 978 88 538 0431 0 volume 4 isbn 978 88 538 0432 7 volume 5 isbn 978 88 538 0433 4 per il docente strumenti per il docente isbn 978 88 538 1874 4 database di esercizi su pen drive usb isbn 978 88 538 0434 1 il corso rigore teorico e

lineamenti di matematica zanichelli - Nov 13 2022

web esercizi svolti per imparare come si fa prima di affrontare esercizi simili esercizi con la scaletta dello svolgimento in 3 passi i 50 fondamentali la cassetta degli attrezzi da portarsi al triennio i 50 esercizi fondamentali del biennio svolti passo passo che insegnano ad acquisire un metodo risolvere tanti problemi con una sola formula

lineamenti math blu vol 5 esercizi svolti esercizi di matematica - Apr 18 2023

web jul 11 2016 scarica esercizi lineamenti math blu vol 5 esercizi svolti esercizi svolti sulla ricerca del dominio di funzioni in particolare funzioni logaritmiche esponenziali e irrazionali

vol 1 capitoli in pdf bergamini trifone barozzi matematica blu - Jun 20 2023

web vol 1 capitoli in pdf bergamini trifone barozzi matematica blu primo biennio matematica blu esercizi interattivi risorse insegnante risorse studente volume 1 vol 1 strette di mano vol 1 approfondimenti vol 1 dal libro al computer

lineamenti math blu edizione riforma geometria nel piano - Mar 17 2023

web esercizi interattivi per l'autovalutazione schede di autovalutazione approfondimenti ed esercizi aggiuntivi l'impostazione generale lineamenti math blu grazie a un'impostazione didattica sperimentata e in linea con i nuovi obiettivi formativi assicura oggi al docente la disponibilità di una strumentazione funzionale adeguata e

math blu d matematica zona scuolabook - Feb 16 2023

web blu d lineamenti math blu composizione del corsolineamenti math blu composizione del corso modulo a disequazioni algebriche funzioni successioni e progressioni piano cartesiano trasformazioni retta isbn 978 88 538 0543 0 modulo b coniche isbn 978 88 538 0544 7

lineamenti blu i fragni r manfredi p baroncini n dodero - May 19 2023

web database di esercizi su pen drive isbn 978 88 538 1868 3 n dodero p baroncini r manfredi i fragni lineamenti math blu 1 algebra il libro un innovativo percorso trasversale di introduzione all'informatica algoritmi per nuova rubrica english for math nuovi esercizi matematica e fisica chimica economia situazioni

esercizi lineamenti math blu b pdf theamlife com - Jun 08 2022

web may 27 2023 esercizi lineamenti math blu b pdf is available in our book collection an online access to it is set as public so you can get it instantly our book servers saves in multiple locations allowing you to get the most less latency time to download any of our books like this one

esercizi lineamenti math blu b book sgsbenelux - Mar 05 2022

web this extraordinary book aptly titled esercizi lineamenti math blu b written by a very acclaimed author immerses readers in a captivating exploration of the significance of language and its profound affect our existence

esercizi svolti lineamenti math blu slideum com - Sep 23 2023

web pdf esercizi svolti lineamenti math blu read ebook online esercizi svolti lineamenti math blu esercizi svolti lineamenti

math blu download esercizi svolti lineamenti math blu esercizi svolti lineamenti math blu english plus pre intermedie
esercizi svolti esercizi di sintassi soluzioni esercizi libro stimmt 2 esercizi e complementi di

lineamenti math blu algebra per le scuole superiori con cd - Dec 14 2022

web lineamenti math blu con prove invalsi per le scuole superiori con cd rom con espansione online vol 1 32 44 34 15
lineamenti math azzurro ediz riforma algebra teoria con esercizi con di gabriella bonola ilaria forno costanza cossu 22 80 24
00 gli altri utenti hanno acquistato anche i promessi sposi con

esercizi lineamenti math blu b pdf uniport edu - Jul 09 2022

web esercizi lineamenti math blu b 1 6 downloaded from uniport edu ng on september 11 2023 by guest esercizi lineamenti
math blu b this is likewise one of the factors by obtaining the soft documents of this esercizi lineamenti math blu b by online
you might not require more era to spend to go to the book initiation as competently as search for them

lineamenti math blu algebra con prove invalsi per le scuole - Sep 11 2022

web acquista lineamenti math blu algebra con prove invalsi per le scuole superiori con cd rom con espansione online vol 1
9788853818782 su libreria universitaria esercizi di matematica per la scuola media con espansione di maria angela cerini
raul fiamenghi donatella giallongo 9 20 lineamenti di matematica modulo b

esercizi lineamenti math blu b pdf pdf linguisticschool com - Apr 06 2022

web apr 24 2023 this esercizi lineamenti math blu b pdf as one of the most enthusiastic sellers here will categorically be
accompanied by the best options to review read free esercizi svolti lineamenti math blu pdf

stuvia hoe maak je een tentamen met open vragen - Mar 10 2023

web open vragen zijn vragen waarbij de student zelf een antwoord formuleert het te geven antwoord bestaat uit één woord
enkele zinnen of een uitgebreide uitwerking in de toets

open vragen 70 punten pdf full pdf black ortax - Apr 30 2022

web open vragen 70 punten 2 7 downloaded from uniport edu ng on may 18 2023 by guest introductie wordt meteen
geconcretiseerd door uitvoerige voorbeelden van loep

open vragen 70 punten pdf gcc - Oct 25 2021

toets met open vragen radboud universiteit - Dec 07 2022

web open vraag vraag die altijd begint met een vragend voornaamwoord wie wat waar waarom waarmee waarvoor welke hoe
hoe vaak hoeveel op een open vraag kan

proef oefen tentamen vragen en antwoorden studeersnel - Jan 08 2023

web antwoordmodel open vragen 70 punten aan dit antwoordenoverzicht kunnen geen rechten worden ontleend 1 a de snelle

groei

open vragen 70 punten uniport edu ng - Jan 28 2022

web mar 22 2023 open vragen 70 punten pdf this is likewise one of the factors by obtaining the soft documents of this open vragen 70 punten pdf by online you might not require

[schriftelijk examen met open vragen ku leuven learning lab](#) - Nov 06 2022

web open vragen 70 punten 1 a de snelle groei nibe svv 2011 zakeli author jan guido devos 28 downloads 286 views 57kb size report download pdf

[open vragen vertaling naar engels voorbeelden nederlands](#) - Jun 01 2022

web open vragen 70 punten open een wekelijks vragen we jouw mening over uitéénlopende shopping topics vanaf 70 punten heb je zelfs al een eerste kortingbon te pakken

[open vragen 70 punten bespoken cityam](#) - Feb 26 2022

web wanneer de ander uitgepraat is kun je hem of haar een open vraag stellen over iets wat hij of zij net gezegd heeft of wat daar in ieder geval op de een of andere manier mee te

open vraag 2 definities encyclo - Sep 04 2022

web vertaling van open vragen in engels in dit specifieke geval liet de openbaarmaking enkele open vragen in this particular case the disclosure left a few open questions als

[quiz maken met punten hoe werkt de puntentelling](#) - Feb 09 2023

web feb 15 2023 open vragen zijn met name geschikt voor het evalueren van leerdoelen gericht op toepassing analyse synthese evaluatie of het formuleren van een opinie

hoe stel je open vragen top 80 voorbeelden in 2023 ahaslides - Aug 15 2023

web jun 7 2023 gesloten vragen open vragen krijgen we vanavond lavacake als toetje wat eten we vanavond als toetje koopt u vandaag wat fruit uit de supermarkt wat ga

open vragen stellen 15 stappen met afbeeldingen wikipediastyle - Nov 25 2021

antwoordmodel open vragen 70 punten pdf free download - May 12 2023

web jul 6 2023 elke seconde gaat er in dit voorbeeld 5 punten van de maximale score af punten bij vragen zonder timer als je geen timer instelt bij de vraag dan verdienen bij

open vragen 70 punten help environment harvard edu - Sep 23 2021

antwoordmodel open vragen 70 punten aan dit - Aug 03 2022

web open vragen 70 punten pdf pages 3 23 open vragen 70 punten pdf upload jason v hayda 3 23 downloaded from black ortax org on september 3 2023 by jason v hayda

antwoordmodel open vragen 70 punten pdf free download - Oct 05 2022

web open vragen 70 punten 5 5 theoretische introductie wordt meteen geconcretiseerd door uitvoerige voorbeelden van loep onderzoek die te maken hebben met het begeleiden

open vragen 70 punten banking finance gov ie - Jul 02 2022

web you have remained in right site to begin getting this info acquire the open vragen 70 punten associate that we have enough money here and check out the link you could

lijst met de beste open vragen psycat games - Jun 13 2023

web open vragen 70 punten 1 antwoordmodel aan dit antwoordmodel kunnen geen rechten worden ontleend over de antwoordindicaties kan niet worden gecorrespondeerd voordat

open vragen 70 punten pdf free voto uncal edu - Dec 27 2021

web open vragen met antwoordmodel om de leerstof te oefenen de leerstof en de oefenvragen sluiten volledig aan op de eindtermen voor ipma c zoals ipma certificering nederland

open vragen 70 punten pdf help environment harvard edu - Mar 30 2022

web open vragen 70 punten pdf in a digitally driven world where displays reign supreme and immediate conversation drowns out the subtleties of language the profound strategies

verschillen open en gesloten vragen surveymonkey - Jul 14 2023

web ontdek wanneer u open vragen of juist gesloten vragen gebruikt zodat u de juiste inzichten verzamelt om actie te ondernemen een belangrijk onderdeel van het maken

quiz maken met open vragen en antwoorden start hier - Apr 11 2023

web noot het tentamen bestaat uit 40 mc vragen 16 micro 24 macro totaal 70 punten 1 open vraag micro 15 punten en een open vraag macro 15 punten in dit document

driving holiday italy italian lakes the alps tour colcorsa - Aug 27 2022

web tour into the dolomites on scenic mountain roads wind through the high mountains and past alpine lakes that form an incredible backdrop in this stunning region of italy take a pause from your supercar drive for a detour above the clouds enjoy a short cable car ride up to the breathtaking viewpoint almost 3000 metres above sea level

driving to lake garda an italian lakes road trip leshuttle - Feb 01 2023

web lake garda where in italy lake garda verona brescia and trentino drive from calais 1 260 4km 12h 15m the biggest and one of the most popular lakes in italy lake garda makes for the perfect family retreat if you re travelling with kids during the

summer months make sure you plan a day out to gardaland

italian lakes road trips 1ed anglais collectif - Mar 02 2023

web jun 21 2016 italian lakes road trips 1ed anglais collectif 9781760340537 books amazon ca

italian lakes road trips 1ed anglais fnac belgique - Dec 31 2022

web fnac 1ère édition italian lakes road trips 1ed anglais lonely planet lonely planet livraison chez vous ou en magasin et 5 sur tous les livres achetez neuf ou d occasion

italian lakes road trips 1ed anglais amazon fr - Oct 09 2023

web italian lakes road trips 1ed anglais lonely planet lonely planet amazon fr livres

italian lakes road trips 1ed anglais 2022 - Apr 22 2022

web lonely planet italian lakes road trips backroads byways of pennsylvania drives day trips weekend excursions backroads byways milan and the italian lakes

italian lakes road trips 1ed anglais 2022 graph safehousetech - Feb 18 2022

web italian lakes road trips 1ed anglais downloaded from graph safehousetech com by guest hatfield hillary the new statesman the countryman press discover the freedom of open roads with lonely planet italian lakes road trips your passport to uniquely encountering the italian lakes by car featuring four amazing road trips plus

1 week roadtrip in italy along the italian lakes best itinerary - Jun 05 2023

web 1 week roadtrip in italy along the italian lakes best itinerary 1 week roadtrip in italy along the italian lakes 8 days 351 miles 565 km car 5 steps 5 5 21 votes you only have 1 week of vacation and want to get to know the italian lakes and their surroundings then you chose the perfect road trip itinerary

italian lakes road trips 1ed anglais librairie autres - Jun 24 2022

web résumé tour italy s graceful lakes including visits to cannobio bellagio como and stresadetailed coverage of destinations visited along the wayregional highl

italian lakes road trip circumnavigating northern italy s lakes - May 04 2023

web may 14 2023 a 1 week to 10 day road trip will give you a great taste of the italian lakes and allow you to see quite a lot of the lakes stroll the beautiful private gardens that open to the public explore villages and do some activities such as a speed boat tour or scenic flight my ideal italian lakes road trip is longer more like 3 weeks to a month

italian lakes road trips 1ed anglais fnac - Aug 07 2023

web 1ère édition italian lakes road trips 1ed anglais lonely planet lonely planet des milliers de livres avec la livraison chez vous en 1 jour ou en magasin avec 5 de réduction italian lakes road trips 1ed anglais 1ère édition poche lonely planet

italian lakes road trips 1ed anglais lonely planet librairie - Oct 29 2022

web lonely planet comprehensive and inspirational guides with thousands of detailed listings reviews and recommendations for travellers with a sense of adventure and exploration tour italy s graceful lakes including visits to cannobio bellagio

italian lakes road trips 1ed anglais gutenlib com - Sep 08 2023

web résumé tour italy s graceful lakes including visits to cannobio bellagio como and stresa detailed coverage of destinations visited along the way regional high

italian lakes road trips 1ed anglais collectif - Sep 27 2022

web italian lakes road trips 1ed anglais collectif amazon ca livres aller au contenu principal ca bonjour entrez votre adresse livres sélectionnez le service dans lequel vous souhaitez effectuer votre recherche rechercher amazon ca

road trip around the italian lakes travel guide - Nov 29 2022

web what to see what to do what budget to plan where to sleep and how long to stay we give you all our advice to prepare your road trip around the italian lakes when to go to northern italy what is the budget for a road trip around the italian lakes

italian lakes road trips 1ed anglais crocolivre - Mar 22 2022

web bienvenue sur notre site internet vous trouverez notre stock en ligne en temps réel ainsi que nos coups de cœur nos nouveautés nos dates d activités n hésitez pas à nous contacter pour toute information au 01 39 64 08 98 nous nous ferons un plaisir de vous répondre a très vite pour de nouvelles aventures

italian lakes road trips 1ed anglais abebooks france - Apr 03 2023

web encountering the italian lakes by car featuring four amazing road trips plus up to date advice on the destinations you ll visit along the way marvel at the region s opulence and natural beauty all with your trusted travel companion inside lonely planet italian lakes road trips lavish colour and gorgeous photography throughout

north italy road trip best 7 day italian lakes itinerary my path - Jul 06 2023

web jan 24 2022 north italy road trip day 1 getting to lake garda north italy road trip day 2 southern lake garda north italy road trip day 3 northern lake garda north italy road trip day 4 lake garda s pearl north italy road trip day 5 lake como north italy road trip day 6 lake maggiore

italian lakes road trips 1ed anglais pdf secure mowtampa - May 24 2022

web italian lakes road trips 1ed anglais italy s best trips frommer s northern italy s best loved driving tours the new statesman presbyterian banner lonely planet tuscan road trips italian lakes backroads byways of pennsylvania drives day trips weekend excursions backroads byways back roads italy new statesman and nation lonely

italian lakes swiss alps stelvio alps and autobahns - Jul 26 2022

web european indulgence the italian lakes swiss alps stelvio this tour is for the romantic at heart delight your senses with the charisma of the italian lakes the sweeping dolomites and swiss alps mouth watering cuisine superb wine and delightful

people all while staying in world class hotels and driving some of the most picturesque and satisfying