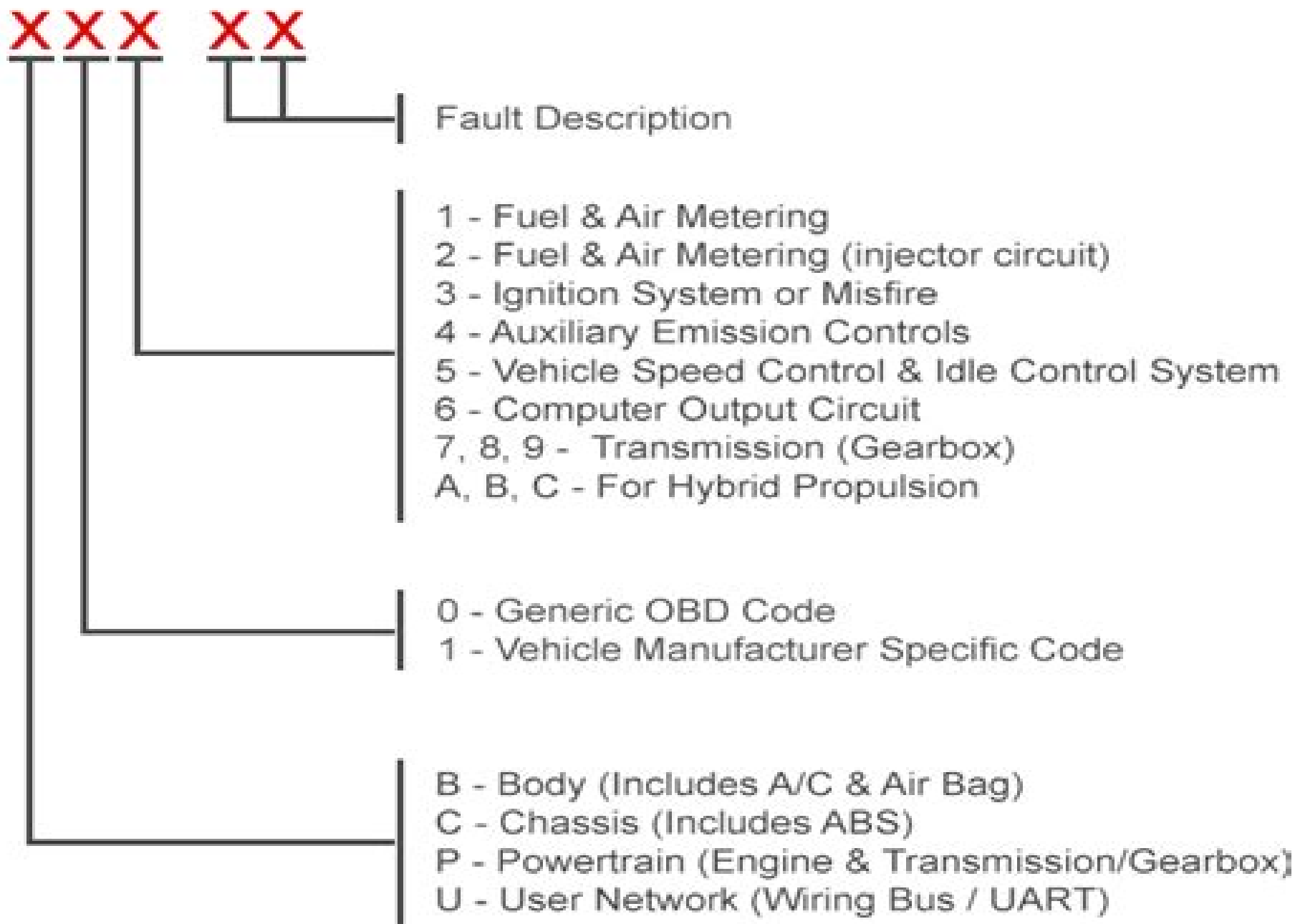


Explanation of OBD2 Diagnostic Trouble Codes



Dtc Obd2 Toyota Engine Code 97

F Rizvi



Dtc Obd2 Toyota Engine Code 97:

This is likewise one of the factors by obtaining the soft documents of this **Dtc Obd2 Toyota Engine Code 97** by online. You might not require more get older to spend to go to the ebook establishment as well as search for them. In some cases, you likewise complete not discover the statement Dtc Obd2 Toyota Engine Code 97 that you are looking for. It will no question squander the time.

However below, later than you visit this web page, it will be suitably categorically easy to acquire as capably as download lead Dtc Obd2 Toyota Engine Code 97

It will not take many become old as we accustom before. You can reach it though enactment something else at home and even in your workplace. fittingly easy! So, are you question? Just exercise just what we present under as without difficulty as review **Dtc Obd2 Toyota Engine Code 97** what you gone to read!

https://py.bijouxmedusa.com/data/Resources/default.aspx/50_637_Credit_Score_Improvement_Apps_United_States_50_2963_Credit_Score.pdf

Table of Contents Dtc Obd2 Toyota Engine Code 97

1. Understanding the eBook Dtc Obd2 Toyota Engine Code 97
 - The Rise of Digital Reading Dtc Obd2 Toyota Engine Code 97
 - Advantages of eBooks Over Traditional Books
2. Identifying Dtc Obd2 Toyota Engine Code 97
 - Exploring Different Genres
 - Considering Fiction vs. Non-Fiction
 - Determining Your Reading Goals
3. Choosing the Right eBook Platform
 - Popular eBook Platforms
 - Features to Look for in an Dtc Obd2 Toyota Engine Code 97
 - User-Friendly Interface

4. Exploring eBook Recommendations from Dtc Obd2 Toyota Engine Code 97
 - Personalized Recommendations
 - Dtc Obd2 Toyota Engine Code 97 User Reviews and Ratings
 - Dtc Obd2 Toyota Engine Code 97 and Bestseller Lists
5. Accessing Dtc Obd2 Toyota Engine Code 97 Free and Paid eBooks
 - Dtc Obd2 Toyota Engine Code 97 Public Domain eBooks
 - Dtc Obd2 Toyota Engine Code 97 eBook Subscription Services
 - Dtc Obd2 Toyota Engine Code 97 Budget-Friendly Options
6. Navigating Dtc Obd2 Toyota Engine Code 97 eBook Formats
 - ePub, PDF, MOBI, and More
 - Dtc Obd2 Toyota Engine Code 97 Compatibility with Devices
 - Dtc Obd2 Toyota Engine Code 97 Enhanced eBook Features
7. Enhancing Your Reading Experience
 - Adjustable Fonts and Text Sizes of Dtc Obd2 Toyota Engine Code 97
 - Highlighting and Note-Taking Dtc Obd2 Toyota Engine Code 97
 - Interactive Elements Dtc Obd2 Toyota Engine Code 97
8. Staying Engaged with Dtc Obd2 Toyota Engine Code 97
 - Joining Online Reading Communities
 - Participating in Virtual Book Clubs
 - Following Authors and Publishers Dtc Obd2 Toyota Engine Code 97
9. Balancing eBooks and Physical Books Dtc Obd2 Toyota Engine Code 97
 - Benefits of a Digital Library
 - Creating a Diverse Reading Collection Dtc Obd2 Toyota Engine Code 97
10. Overcoming Reading Challenges
 - Dealing with Digital Eye Strain
 - Minimizing Distractions
 - Managing Screen Time
11. Cultivating a Reading Routine Dtc Obd2 Toyota Engine Code 97
 - Setting Reading Goals Dtc Obd2 Toyota Engine Code 97
 - Carving Out Dedicated Reading Time

12. Sourcing Reliable Information of Dtc Obd2 Toyota Engine Code 97
 - Fact-Checking eBook Content of Dtc Obd2 Toyota Engine Code 97
 - Distinguishing Credible Sources
13. Promoting Lifelong Learning
 - Utilizing eBooks for Skill Development
 - Exploring Educational eBooks
14. Embracing eBook Trends
 - Integration of Multimedia Elements
 - Interactive and Gamified eBooks

Dtc Obd2 Toyota Engine Code 97 Introduction

In today's digital age, the availability of Dtc Obd2 Toyota Engine Code 97 books and manuals for download has revolutionized the way we access information. Gone are the days of physically flipping through pages and carrying heavy textbooks or manuals. With just a few clicks, we can now access a wealth of knowledge from the comfort of our own homes or on the go. This article will explore the advantages of Dtc Obd2 Toyota Engine Code 97 books and manuals for download, along with some popular platforms that offer these resources. One of the significant advantages of Dtc Obd2 Toyota Engine Code 97 books and manuals for download is the cost-saving aspect. Traditional books and manuals can be costly, especially if you need to purchase several of them for educational or professional purposes. By accessing Dtc Obd2 Toyota Engine Code 97 versions, you eliminate the need to spend money on physical copies. This not only saves you money but also reduces the environmental impact associated with book production and transportation. Furthermore, Dtc Obd2 Toyota Engine Code 97 books and manuals for download are incredibly convenient. With just a computer or smartphone and an internet connection, you can access a vast library of resources on any subject imaginable. Whether you're a student looking for textbooks, a professional seeking industry-specific manuals, or someone interested in self-improvement, these digital resources provide an efficient and accessible means of acquiring knowledge. Moreover, PDF books and manuals offer a range of benefits compared to other digital formats. PDF files are designed to retain their formatting regardless of the device used to open them. This ensures that the content appears exactly as intended by the author, with no loss of formatting or missing graphics. Additionally, PDF files can be easily annotated, bookmarked, and searched for specific terms, making them highly practical for studying or referencing. When it comes to accessing Dtc Obd2 Toyota Engine Code 97 books and manuals, several platforms offer an extensive collection of resources. One such platform is Project Gutenberg, a nonprofit organization that provides over 60,000 free eBooks. These books are primarily in the public domain, meaning they can be freely distributed

and downloaded. Project Gutenberg offers a wide range of classic literature, making it an excellent resource for literature enthusiasts. Another popular platform for Dtc Obd2 Toyota Engine Code 97 books and manuals is Open Library. Open Library is an initiative of the Internet Archive, a non-profit organization dedicated to digitizing cultural artifacts and making them accessible to the public. Open Library hosts millions of books, including both public domain works and contemporary titles. It also allows users to borrow digital copies of certain books for a limited period, similar to a library lending system. Additionally, many universities and educational institutions have their own digital libraries that provide free access to PDF books and manuals. These libraries often offer academic texts, research papers, and technical manuals, making them invaluable resources for students and researchers. Some notable examples include MIT OpenCourseWare, which offers free access to course materials from the Massachusetts Institute of Technology, and the Digital Public Library of America, which provides a vast collection of digitized books and historical documents. In conclusion, Dtc Obd2 Toyota Engine Code 97 books and manuals for download have transformed the way we access information. They provide a cost-effective and convenient means of acquiring knowledge, offering the ability to access a vast library of resources at our fingertips. With platforms like Project Gutenberg, Open Library, and various digital libraries offered by educational institutions, we have access to an ever-expanding collection of books and manuals. Whether for educational, professional, or personal purposes, these digital resources serve as valuable tools for continuous learning and self-improvement. So why not take advantage of the vast world of Dtc Obd2 Toyota Engine Code 97 books and manuals for download and embark on your journey of knowledge?

FAQs About Dtc Obd2 Toyota Engine Code 97 Books

What is a Dtc Obd2 Toyota Engine Code 97 PDF? A PDF (Portable Document Format) is a file format developed by Adobe that preserves the layout and formatting of a document, regardless of the software, hardware, or operating system used to view or print it. **How do I create a Dtc Obd2 Toyota Engine Code 97 PDF?** There are several ways to create a PDF: Use software like Adobe Acrobat, Microsoft Word, or Google Docs, which often have built-in PDF creation tools. **Print to PDF:** Many applications and operating systems have a "Print to PDF" option that allows you to save a document as a PDF file instead of printing it on paper. **Online converters:** There are various online tools that can convert different file types to PDF. **How do I edit a Dtc Obd2 Toyota Engine Code 97 PDF?** Editing a PDF can be done with software like Adobe Acrobat, which allows direct editing of text, images, and other elements within the PDF. Some free tools, like PDFescape or Smallpdf, also offer basic editing capabilities. **How do I convert a Dtc Obd2 Toyota Engine Code 97 PDF to another file format?** There are multiple ways to convert a PDF to another format: Use online converters like Smallpdf, Zamzar, or Adobe Acrobat's export feature to convert PDFs to formats like Word, Excel, JPEG, etc. Software like Adobe Acrobat, Microsoft Word, or other

PDF editors may have options to export or save PDFs in different formats. **How do I password-protect a Dtc Obd2 Toyota Engine Code 97 PDF?** Most PDF editing software allows you to add password protection. In Adobe Acrobat, for instance, you can go to "File" -> "Properties" -> "Security" to set a password to restrict access or editing capabilities. Are there any free alternatives to Adobe Acrobat for working with PDFs? Yes, there are many free alternatives for working with PDFs, such as: LibreOffice: Offers PDF editing features. PDFsam: Allows splitting, merging, and editing PDFs. Foxit Reader: Provides basic PDF viewing and editing capabilities. How do I compress a PDF file? You can use online tools like Smallpdf, ILovePDF, or desktop software like Adobe Acrobat to compress PDF files without significant quality loss. Compression reduces the file size, making it easier to share and download. Can I fill out forms in a PDF file? Yes, most PDF viewers/editors like Adobe Acrobat, Preview (on Mac), or various online tools allow you to fill out forms in PDF files by selecting text fields and entering information. Are there any restrictions when working with PDFs? Some PDFs might have restrictions set by their creator, such as password protection, editing restrictions, or print restrictions. Breaking these restrictions might require specific software or tools, which may or may not be legal depending on the circumstances and local laws.

Find Dtc Obd2 Toyota Engine Code 97 :

50-637 credit score improvement apps United States 50-2963 credit score for creators 50-2816 mental wellness explained for creators 50-390 creators 50-569 mental wellness tutorial for entrepreneurs 50-736 dropshipping business explained for creators 50-1242 dropshipping States 50-1874 personal finance roadmap for entrepreneurs 50-2490 YouTube growth ideas for entrepreneurs 50-2405 YouTube growth ideas for checklist United States 50-2755 interview tips checklist for investing review for entrepreneurs 50-48 crypto investing review for software for startups 50-2056 minimalist lifestyle step by step for **50-317 side hustles software for creators** **50-630 side hustles step by study United States** **50-784 parenting tips case study United States America** 50-72 affiliate marketing roadmap United States 50-861 affiliate comparison for startups 50-2597 NFT marketplace comparison for startups America 50-827 print on demand for beginners for creators 50-161 print tutorial for creators 50-1048 sustainable living apps for entrepreneurs

Dtc Obd2 Toyota Engine Code 97 :

UPMC St. Margaret School of Nursing - Pittsburgh UPMC St. Margaret School of Nursing. 221 7th Street Pittsburgh, PA 15238. Contact our admission team or request/send admission documents to: UPMCSMHSO... How to Apply | UPMC Schools of Nursing Complete the UPMC Schools of Nursing online application. Answer ALL the questions ... St. Margaret's LPN-RN advanced track applicants, please review the exam ... UPMC Schools of Nursing - Education and Training UPMC Jameson School of Nursing at UPMC Hamot. Now Accepting Applications. 2024 Application Deadlines: St. Margaret LPN-RN track Fall 2024 - January 5, 2024 Admitted and Current Students at St. Margaret School of ... Attendance at St. Margaret School of Nursing. Our program is rigorous in order to prepare you to practice nursing at your full potential. That's why we ask that ... St. Margaret School of Nursing UPMC ... St. Margaret School of Nursing UPMC St. Margaret 2012 REGISTERED NURSE PROGRAM SCHOOL ... PSB test results if taken at any UPMC facility other than St. Margaret ... St. Margaret School of Nursing Preadmission testing (PSB, SAT or ACT) must be completed before application is made. ... If Borrower's full time employment as a registered nurse at UPMC is ... UPMC Saint Margaret - Page 3 - Pennsylvania Nursing Nov 6, 2013 — Nursing Programs · Erin Lee · 12 Most Affordable Psychiatric-Mental ... Registered Nurse · Travel Nurse · Nurse Practitioner · Nurse Anesthetist ... St. Margaret School of Nursing Frequently Asked Questions Get answers to the most frequently asked questions about UPMC's St. Margaret School of Nursing. Contact UPMC today for more information ... How do I apply to St. UPMC SCHOOLS OF NURSING. Application for Admission Application Deadline for the Nursing Program is February 2, 2015. Turn in to Room 110-H between the hours of 8 ... UPMC Shadyside School of Nursing As a prerequisite for admission, potential candidates with a high school diploma or GED must pass the PSB (Psychological Services Bureau) Nursing School ... Chez nous: Branché sur le monde francophone Jan 24, 2021 — Features ... Chez nous offers a flexible, dynamic approach to teaching elementary French that brings the French language and the culture of French ... Chez nous: Branché sur le monde francophone Chez nous: Branché sur le monde francophone offers a flexible, dynamic approach to elementary French that engages students by bringing the French language and ... Chez nous: Branché sur le monde francophone, Media- ... The content in this book is perfect for a beginner learner of French. I had to buy this book for a University intermediate course but it was almost similar to ... Chez Nous Branché Sur Le Monde Francophone, 5th ... Chez Nous Branché Sur Le Monde Francophone, 5th Edition by Albert Valdman, Cathy Pons, Mary Ellen Scullen (Z-lib.org) - Free ebook download as PDF File ... Chez nous: Branché sur le monde francophone - Valdman, ... Chez nous: Branché sur le monde francophone offers a flexible, dynamic approach to elementary French that engages students by bringing the French language and ... Chez Nous: Branché Sur Le Monde Francophone Chez nous: Branch sur le monde francophone offers a flexible, dynamic approach to elementary French that engages students by bringing the French language and ... Chez nous: Branché sur le monde francophone / Edition 5 Chez nous: Branché sur le monde francophone offers a flexible, dynamic approach to elementary

French that engages students by bringing the French language and ... Chez nous 5th edition | 9780134782843, 9780134877747 Chez nous: Branché sur le monde francophone 5th Edition is written by Albert Valdman; Cathy Pons; Mary Ellen Scullen and published by Pearson. Branche Sur Le Monde Francophone : Workbook/Lab ... Title: Chez Nous: Branche Sur Le Monde Francophone ... ; Publisher: Pearson College Div ; Publication Date: 1999 ; Binding: Paperback ; Condition: VERY GOOD. Chez nous: Branché sur le monde francophone (4th Edition) Chez nous: Branché sur le monde francophone (4th Edition). by Albert Valdman, Cathy R. Pons, Mary Ellen Scullen. Hardcover, 576 Pages, Published 2009. Breaking Through Chapter Summaries Mar 14, 2018 — Chapter 1: The Jimenez family live in America illegally and are worried about immigration. They get caught and are deported back to Mexico. They ... "Breaking Through" Summaries Flashcards The Jiménez Family was deported to Mexico. Papá agreed to send Francisco and Roberto to California to work and study until the family was reunited again. Breaking Through Summary and Study Guide As he grows into a young man, Francisco is angered by the social injustice that he witnesses personally and reads about in school. He becomes determined to meet ... Breaking Through Chapters 1-3 Summary & Analysis Chapter 1 Summary: "Forced Out". The book opens with a description by the author and protagonist, Francisco Jiménez (a.k.a. "Panchito") of the fear he recalls ... Breaking Through Summary & Study Guide The book is about the author, Francisco Jimenez, and his experience as a Mexican immigrant in the United States. Each chapter is a different anecdote, and the ... Breaking Through - Chapters 6 - 10 Summary & Analysis Breaking Through - Chapters 6 - 10 Summary & Analysis. Francisco Jiménez. This Study Guide consists of approximately 51 pages of chapter summaries, quotes ... Breaking Through " Chapter 1 - Forced Out" " Breaking Through" In this Autobiography about a Francisco Jimenez, together with his older brother Roberto and his mother, are caught by la migra. Breaking Through Sequel to: The circuit. Summary: Having come from Mexico to California ten years ago, fourteen-year-old Francisco is still working in the fields but fighting. Breaking Through Francisco Jimenez Chapter 1 Forced Out Chapter 5 Breaking through.docx - Anh Le Instructor... The chapter end up with the Panchito's graduation. Reflection: After reading the chapter, I admire what Panchito has been trying. Works in the field cannot slow ...