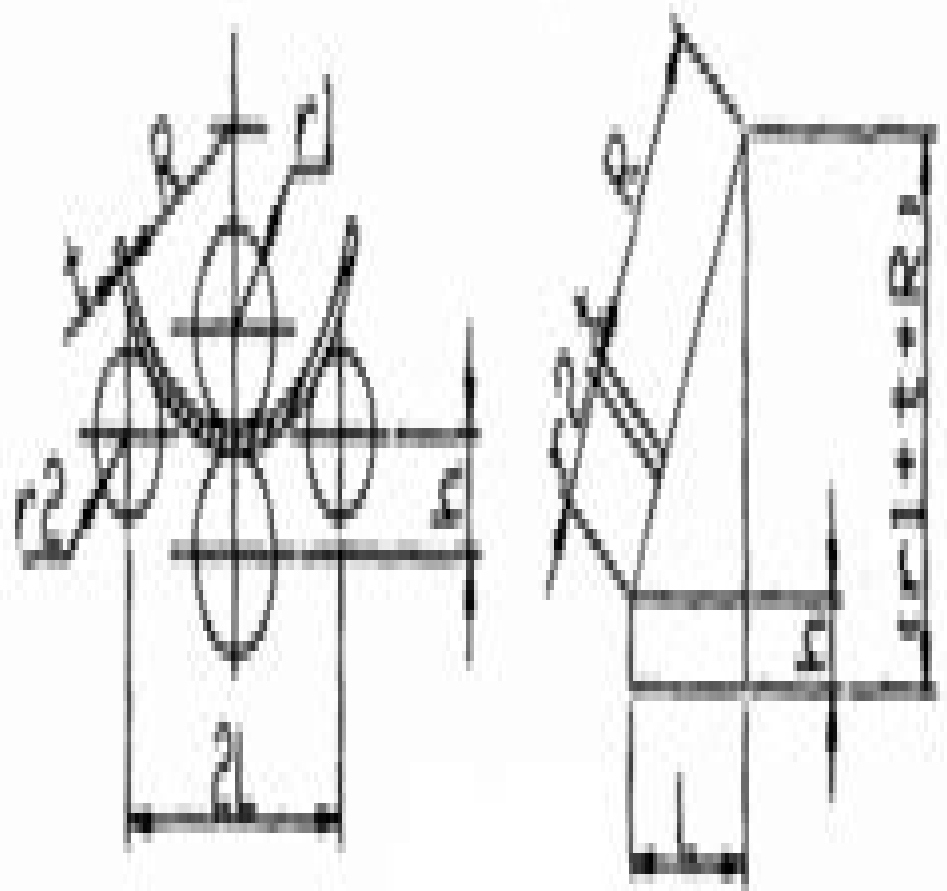


(a) Three-roll veneer reeling machine



(b) Four-roll veneer reeling machine

Plate Rolling Machine Calculation

Michael Hoelscher



Plate Rolling Machine Calculation:

Recognizing the quirk ways to acquire this book **Plate Rolling Machine Calculation** is additionally useful. You have remained in right site to begin getting this info. acquire the Plate Rolling Machine Calculation member that we find the money for here and check out the link.

You could purchase lead Plate Rolling Machine Calculation or get it as soon as feasible. You could quickly download this Plate Rolling Machine Calculation after getting deal. So, later you require the book swiftly, you can straight acquire it. Its therefore extremely easy and in view of that fats, isnt it? You have to favor to in this spread

https://py.bijouxmedusa.com/public/browse/default.aspx/Cloud_Computing_For_Banking_Ibm_United_States.pdf

Table of Contents Plate Rolling Machine Calculation

1. Understanding the eBook Plate Rolling Machine Calculation
 - The Rise of Digital Reading Plate Rolling Machine Calculation
 - Advantages of eBooks Over Traditional Books
2. Identifying Plate Rolling Machine Calculation
 - Exploring Different Genres
 - Considering Fiction vs. Non-Fiction
 - Determining Your Reading Goals
3. Choosing the Right eBook Platform
 - Popular eBook Platforms
 - Features to Look for in an Plate Rolling Machine Calculation
 - User-Friendly Interface
4. Exploring eBook Recommendations from Plate Rolling Machine Calculation
 - Personalized Recommendations
 - Plate Rolling Machine Calculation User Reviews and Ratings
 - Plate Rolling Machine Calculation and Bestseller Lists
5. Accessing Plate Rolling Machine Calculation Free and Paid eBooks

- Plate Rolling Machine Calculation Public Domain eBooks
 - Plate Rolling Machine Calculation eBook Subscription Services
 - Plate Rolling Machine Calculation Budget-Friendly Options
6. Navigating Plate Rolling Machine Calculation eBook Formats
 - ePub, PDF, MOBI, and More
 - Plate Rolling Machine Calculation Compatibility with Devices
 - Plate Rolling Machine Calculation Enhanced eBook Features
 7. Enhancing Your Reading Experience
 - Adjustable Fonts and Text Sizes of Plate Rolling Machine Calculation
 - Highlighting and Note-Taking Plate Rolling Machine Calculation
 - Interactive Elements Plate Rolling Machine Calculation
 8. Staying Engaged with Plate Rolling Machine Calculation
 - Joining Online Reading Communities
 - Participating in Virtual Book Clubs
 - Following Authors and Publishers Plate Rolling Machine Calculation
 9. Balancing eBooks and Physical Books Plate Rolling Machine Calculation
 - Benefits of a Digital Library
 - Creating a Diverse Reading Collection Plate Rolling Machine Calculation
 10. Overcoming Reading Challenges
 - Dealing with Digital Eye Strain
 - Minimizing Distractions
 - Managing Screen Time
 11. Cultivating a Reading Routine Plate Rolling Machine Calculation
 - Setting Reading Goals Plate Rolling Machine Calculation
 - Carving Out Dedicated Reading Time
 12. Sourcing Reliable Information of Plate Rolling Machine Calculation
 - Fact-Checking eBook Content of Plate Rolling Machine Calculation
 - Distinguishing Credible Sources
 13. Promoting Lifelong Learning
 - Utilizing eBooks for Skill Development

- Exploring Educational eBooks
- 14. Embracing eBook Trends
 - Integration of Multimedia Elements
 - Interactive and Gamified eBooks

Plate Rolling Machine Calculation Introduction

In this digital age, the convenience of accessing information at our fingertips has become a necessity. Whether its research papers, eBooks, or user manuals, PDF files have become the preferred format for sharing and reading documents. However, the cost associated with purchasing PDF files can sometimes be a barrier for many individuals and organizations. Thankfully, there are numerous websites and platforms that allow users to download free PDF files legally. In this article, we will explore some of the best platforms to download free PDFs. One of the most popular platforms to download free PDF files is Project Gutenberg. This online library offers over 60,000 free eBooks that are in the public domain. From classic literature to historical documents, Project Gutenberg provides a wide range of PDF files that can be downloaded and enjoyed on various devices. The website is user-friendly and allows users to search for specific titles or browse through different categories. Another reliable platform for downloading Plate Rolling Machine Calculation free PDF files is Open Library. With its vast collection of over 1 million eBooks, Open Library has something for every reader. The website offers a seamless experience by providing options to borrow or download PDF files. Users simply need to create a free account to access this treasure trove of knowledge. Open Library also allows users to contribute by uploading and sharing their own PDF files, making it a collaborative platform for book enthusiasts. For those interested in academic resources, there are websites dedicated to providing free PDFs of research papers and scientific articles. One such website is Academia.edu, which allows researchers and scholars to share their work with a global audience. Users can download PDF files of research papers, theses, and dissertations covering a wide range of subjects. Academia.edu also provides a platform for discussions and networking within the academic community. When it comes to downloading Plate Rolling Machine Calculation free PDF files of magazines, brochures, and catalogs, Issuu is a popular choice. This digital publishing platform hosts a vast collection of publications from around the world. Users can search for specific titles or explore various categories and genres. Issuu offers a seamless reading experience with its user-friendly interface and allows users to download PDF files for offline reading. Apart from dedicated platforms, search engines also play a crucial role in finding free PDF files. Google, for instance, has an advanced search feature that allows users to filter results by file type. By specifying the file type as "PDF," users can find websites that offer free PDF downloads on a specific topic. While downloading Plate Rolling Machine Calculation free PDF files is convenient, its important to note that copyright laws must be respected. Always ensure that the PDF files you download are

legally available for free. Many authors and publishers voluntarily provide free PDF versions of their work, but its essential to be cautious and verify the authenticity of the source before downloading Plate Rolling Machine Calculation. In conclusion, the internet offers numerous platforms and websites that allow users to download free PDF files legally. Whether its classic literature, research papers, or magazines, there is something for everyone. The platforms mentioned in this article, such as Project Gutenberg, Open Library, Academia.edu, and Issuu, provide access to a vast collection of PDF files. However, users should always be cautious and verify the legality of the source before downloading Plate Rolling Machine Calculation any PDF files. With these platforms, the world of PDF downloads is just a click away.

FAQs About Plate Rolling Machine Calculation Books

1. Where can I buy Plate Rolling Machine Calculation books? Bookstores: Physical bookstores like Barnes & Noble, Waterstones, and independent local stores. Online Retailers: Amazon, Book Depository, and various online bookstores offer a wide range of books in physical and digital formats.
2. What are the different book formats available? Hardcover: Sturdy and durable, usually more expensive. Paperback: Cheaper, lighter, and more portable than hardcovers. E-books: Digital books available for e-readers like Kindle or software like Apple Books, Kindle, and Google Play Books.
3. How do I choose a Plate Rolling Machine Calculation book to read? Genres: Consider the genre you enjoy (fiction, non-fiction, mystery, sci-fi, etc.). Recommendations: Ask friends, join book clubs, or explore online reviews and recommendations. Author: If you like a particular author, you might enjoy more of their work.
4. How do I take care of Plate Rolling Machine Calculation books? Storage: Keep them away from direct sunlight and in a dry environment. Handling: Avoid folding pages, use bookmarks, and handle them with clean hands. Cleaning: Gently dust the covers and pages occasionally.
5. Can I borrow books without buying them? Public Libraries: Local libraries offer a wide range of books for borrowing. Book Swaps: Community book exchanges or online platforms where people exchange books.
6. How can I track my reading progress or manage my book collection? Book Tracking Apps: Goodreads, LibraryThing, and Book Catalogue are popular apps for tracking your reading progress and managing book collections. Spreadsheets: You can create your own spreadsheet to track books read, ratings, and other details.
7. What are Plate Rolling Machine Calculation audiobooks, and where can I find them? Audiobooks: Audio recordings of books, perfect for listening while commuting or multitasking. Platforms: Audible, LibriVox, and Google Play Books offer

- a wide selection of audiobooks.
8. How do I support authors or the book industry? Buy Books: Purchase books from authors or independent bookstores. Reviews: Leave reviews on platforms like Goodreads or Amazon. Promotion: Share your favorite books on social media or recommend them to friends.
 9. Are there book clubs or reading communities I can join? Local Clubs: Check for local book clubs in libraries or community centers. Online Communities: Platforms like Goodreads have virtual book clubs and discussion groups.
 10. Can I read Plate Rolling Machine Calculation books for free? Public Domain Books: Many classic books are available for free as they're in the public domain. Free E-books: Some websites offer free e-books legally, like Project Gutenberg or Open Library.

Find Plate Rolling Machine Calculation :

cloud computing for banking ibm united states

cisco video infrastructure design vid v1 0 the cisco

circuits ulaby 2nd edition pdf pdf dotapgy more

cinderella book in afrikaans

clinical microbiology made ridiculously simple medmaster ridiculously simple

cold war multiple choice

clipper cut step by step guide mimas

chrysler pt cruiser owners manual

college linear algebra by abdur rahman solution

cognitive linguistics in critical discourse analysis

ciria guide to concrete construction in the gulf region

cisco ucs manager end to end management for the cisco

cissp training boot camp 6 days firebrand training

circuits 2nd edition ulaby maharbiz

cognitive individual linguistic and demographic variables

Plate Rolling Machine Calculation :

chen and lui structural stability webmail gestudy byu edu - Jul 02 2022

web feb 21 2023 structural stability wai fah chen 1987 structural stability theory and implementation is a practical work that provides engineers and students in structural engineering or structured mechanics with the background needed to make the transition from fundamental theory to practical design rules and computer implementation

chen and lui structural stability pdf 2023 black ortax - Feb 26 2022

web provide readers with a solid foundation in structural stability theory it also offers them a practical working knowledge of how this theory translates into design specifications for safe steel structures

w f chen and e m lui structural stability theory and - Jun 01 2022

web w f chen and e m lui structural stability theory and implementation prentice hall upper saddle river 1987 references scientific research publishing

structural stability eolss - Feb 09 2023

web introduction types of instability 2 1 bifurcation instability 2 2 limit point instability 2 3 finite disturbance instability 2 4 snap through instability 3 stability of columns 3 1 differential equation approach 3 2 energy approach 3 3 galerkin s approach 3 4 matrix approach 3 5 finite element approach 4

structural stability w f chen e m pdf buckling scribd - Jun 13 2023

web the energy and numerical methods of analyzing a structure for its stability limit load are described in chapter 6 each of these later chapters sets out initially to state the basic principles of structural stability followed by the derivation of the necessary basic governing differential equations based on idealized conditions

structural stability from theory to practice sciencedirect - Aug 15 2023

web feb 1 2000 chen wf lui em structural stability theory and implementation new york elsevier 1987

chen and lui structural stability pqr uiaf gov co - Mar 30 2022

web merely said the chen and lui structural stability is universally compatible later than any devices to read stability design of steel frames wai fah chen 1991 01 01 buckling experiments experimental methods in buckling of thin walled structures volume 1 josef singer 1998 02 11 written by eminent researchers and renown authors of numerous

chen and lui structural stability agenciaojs mincyt gob ar - Dec 27 2021

web stability design of steel frames w f chen 1991 07 24 stability design of steel frames provides a summary of the behavior analysis and design of structural steel members and frames with flexibly jointed connections the book presents the theory and design of structural stability and includes extensions of computer based analyses for

chen and lui structural stability seminary fbny - Jan 28 2022

web chen and lui structural stability 1 chen and lui structural stability stability of structures stability design of semi rigid frames earthquake engineering for structural design structural stability theory and practice summation theorems in

structural stability lrfd steel design using advanced analysis handbook of structural
[structural stability from theory to practice sciencedirect](#) - Mar 10 2023

web feb 1 2000 this paper deals with the state of the art advances and challenges related to coupled stability analysis of composite structures which show very complex stability behaviour two types of thin walled light weight structures endangered by buckling will be considered imperfection tolerant and imperfection sensitive structures

[stability design of steel frames w f chen e m lui google](#) - Dec 07 2022

web jul 24 1991 stability design of steel frames w f chen e m lui crc press jul 24 1991 technology engineering 394 pages stability design of steel frames provides a summary of the behavior

structural stability theory and implementation google books - May 12 2023

web structural stability theory and implementation is a practical work that provides engineers and students in structural engineering or structured mechanics with the background needed to make

chen and lui structural stability pqr uiaf gov co - Apr 30 2022

web civil and structural engineering as well as a useful supplement to traditional books on the theory and design of structural stability principles of structural design w f chen 2005 10 31 many important advances in designing modern structures have occurred over the last several years structural engineers need an authoritative source of

structural stability by w f chen open library - Oct 05 2022

web mar 14 1997 structural stability by w f chen e m lui march 14 1997 prentice hall edition in english

chen and lui structural stability help environment harvard edu - Jan 08 2023

web chen and lui structural stability handbook of structural engineering aug 08 2022 continuing the tradition of the best selling handbook of structural engineering this second edition is a comprehensive reference to the broad spectrum of structural engineering encapsulating the theoretical practical and computational aspects of the field

structural stability theory implementation by wai fah chen - Aug 03 2022

web fstructural stability theory implementation by wai fah chen pdf structural stability theory and implementation is a practical work that provides engineers and students in structural engineering or structured mechanics with the background needed to make the transition from

structural stability theory and implementation google books - Apr 11 2023

web structural stability theory and implementation authors wai fah chen e m lui edition illustrated publisher elsevier 1987 isbn 0444011196 9780444011190

[chen lui structural stability theory and implementation pdf](#) - Jul 14 2023

web 1987 chen lui structural stability theory and implementation pdf free ebook download as pdf file pdf or view presentation

slides online scribd is the world s largest social reading and publishing site

structural stability theory and implementation - Sep 04 2022

web aug 8 2017 the book starts with the fundamental structural stability principles together with the basic equations the volume gives readers a concise but really comprehensive introduction applying the theory and principles of structural stability considered really fundamental for the structural steel design to the practical solutions of design problems

structural stability theory and implementation chen wai fah - Nov 06 2022

web apr 1 1987 structural stability theory and implementation is a practical work that provides engineers and students in structural engineering or structured mechanics with the background needed to make the transition from fundamental theory to practical design rules and computer implementation

the wisdom of the ego sources of resilience in adult life - Feb 02 2023

web buy the wisdom of the ego sources of resilience in adult life illustrated by vaillant george e isbn 9780674953734 from amazon s book store everyday low prices and free delivery on eligible orders

the wisdom of the ego sources of resilience in adu 2013 - Sep 09 2023

web the wisdom of the ego sources of resilience in adu body wisdom wisdom for the new millennium leadership without ego ego free leadership ego mechanisms of defense the way of grace living presence revised dissolving the ego realizing the self the psychology of money advice not given death of the ego ego ego is the enemy

ego resistance oppression and resilience of self esteem in - Mar 23 2022

web usha jain et al ego resistance oppression and resilience of self esteem in i know why the aged ird sings y maya angelou 375 int j of multidisciplinary and current research march april 2014 she observed in the society was mainly divided in two forms subtle resistance and active protest

apa dictionary of psychology - Apr 23 2022

web ego resiliency a personality characteristic consisting of the ability to vary in an adaptive manner the degree to which one inhibits or expresses emotional impulses depending on social demands

the wisdom of the ego sources of resilience in adu - Jan 01 2023

web 2 the wisdom of the ego sources of resilience in adu 2022 08 30 unhappiness and shows readers how to awaken to a new state of consciousness and follow the path to a truly fulfilling existence

the wisdom of the ego sources of resilience in adu - Aug 28 2022

web aug 26 2023 broadcast the wisdom of the ego sources of resilience in adu as skillfully as review them wherever you are now resilience in palliative care barbara monroe 2007 09 06 the first book of its kind resilience and palliative care achievement in adversity takes the increasing international literature on resilience and applies it to palliative

the wisdom of the ego sources of resilience in adu tina - Feb 19 2022

web wisdom of the ego sources of resilience in adu but end up in infectious downloads rather than reading a good book with a cup of coffee in the afternoon instead they cope with some infectious bugs inside their desktop computer the wisdom of the ego sources of resilience in adu is available

the wisdom of the ego sources of resilience in adu pdf - Aug 08 2023

web the wisdom of the ego sources of resilience in adu 1 the wisdom of the ego sources of resilience in adu the ego is not the real you leading beyond the ego dissolving the ego realizing the self there is no other ego vs heart the channeled wisdom of osiris ra and thoth wisdom from spirit guides the grace process

the wisdom of the ego sources of resilience in adu 2022 - Jul 07 2023

web 2 the wisdom of the ego sources of resilience in adu 2022 11 03 in this twenty fifth anniversary edition you will find john a soul friend on your own journey through life offering support and solace clarity and consciousness expanding narratives that

the wisdom of the ego sources of resilience in adu 2023 - Jun 06 2023

web 2 the wisdom of the ego sources of resilience in adu 2023 04 19 parallels between ancient spiritual wisdom and modern psychological knowledge meditation and contemplation to discover more meaning in daily

the wisdom of the ego sources of resilience in adu pdf - Nov 30 2022

web sep 4 2023 the wisdom of the ego sources of resilience in adu but end occurring in harmful downloads rather than enjoying a fine pdf behind a cup of coffee in the afternoon otherwise they juggled following some harmful virus inside their computer the wisdom of the ego sources of resilience in adu is

the wisdom of the ego sources of resilience in adu pdf ftp - Jul 27 2022

web the wisdom of the ego sources of resilience in adu 1 the wisdom of the ego sources of resilience in adu mindful mindlessness transcending ego the ego is not the real you the wisdom of the self the wisdom of sigmund freud sh t your ego says a call to the heart paths beyond ego grow up your ego there is no other ego vs

the wisdom of the ego sources of resilience in adu david - Oct 30 2022

web the wisdom of the ego sources of resilience in adu eventually you will categorically discover a supplementary experience and achievement by spending more cash still when attain you take that you require to acquire those all needs with having significantly cash

the wisdom of the ego sources of resilience in adu pdf - Sep 28 2022

web sep 19 2023 the source of all experience how to move from ego centered life to the transcendent reality the interplay of karma free will and grace the nature of evil and suffering how to awaken intuition and penetrative insight the passage

through death to rebirth and psychic

the wisdom of the ego sources of resilience in adu tina - Mar 03 2023

web examine how resilience contributes to health and well being across the adult life cycle why and what happens when resilience processes fail ethnic and cultural dimensions of resilience and ways to enhance adult resilience including reviews of exemplary programs re thinking men anthony synnott 2016 04 08

the wisdom of the ego sources of resilience in adu - Apr 04 2023

web the wisdom of the ego sources of resilience in adu stress resilience dec 09 2022 stress resilience molecular and behavioral aspects presents the first reference available on the full breadth of cutting edge research being carried out in this field it

the wisdom of the ego sources of resilience in adu copy - May 05 2023

web the wisdom of the ego sources of resilience in adu group psychology and the analysis of the ego dec 24 2022 this work has been selected by scholars as being culturally important and is part of the knowledge base of civilization as we know it this work was reproduced from the original artifact and remains as true to the original work as

empowerment self advocacy and resilience request pdf - May 25 2022

web jan 1 2006 the purpose of the study was to examine sources of resilience for physical disability athletes this is a qualitative study aiming for in depth investigation of protective mechanisms for physical

the wisdom of the ego sources of resilience in adu - Jun 25 2022

web 2 the wisdom of the ego sources of resilience in adu 2022 11 18 bonheim approaches the ego as a sacred function worthy of honor and gratitude with riveting stories from her work she guides us into the depths of our collective psyche to pinpoint the real sources of our problems and illuminate our path to wholeness firmly grounded in a

the wisdom of the ego sources of resilience in adu - Oct 10 2023

web the wisdom of the ego sources of resilience in adu anam cara twenty fifth anniversary edition the wisdom of insecurity the way of grace advice not given the sacred ego a prisoner s wisdom living presence revised leadership without ego the ego cleanse the ego is not the real you the psychology of money transcending ego

pupila de águila gran angular nº 97 spanish edition kindle - Apr 10 2023

web dec 2 2013 amazon com pupila de águila gran angular nº 97 spanish edition ebook cerdá alfredo gómez kindle store

downloadable free pdfs pupila de aguila 97 gran angular - Feb 25 2022

web sep 9 2023 pupila de aguila 97 gran angular 1 5 downloaded from uniport edu ng on september 9 2023 by guest pupila de aguila 97 gran angular getting the books

pupila de aguila ebook epub gran angular n 97 uniport edu - Jul 01 2022

web jan 15 2023 kindly say the pupila de aguila 97 gran angular is universally compatible with any devices to read news from the empire fernando del paso 2009 presents a

pupila de águila literatura infantil y juvenil sm - Feb 08 2023

web introduction pupila de aguila ebook epub gran angular n 97 pdf pdf developmental disorders david freides 2001 06 08 many disabilities affecting children

casadellibro com co - Dec 26 2021

web apr 3 2002 libro muy interesante y popular entre nuestros lectores pupila de Águila descargar libros gratis descarga directa todos los formatos epub y pdf ebooks

descargar pdf pupila de águila 97 gran angular gratis - Oct 04 2022

web pupila de aguila ebook epub gran angular n 97 3 3 all ages edinburgh 1874 born with a frozen heart jack is near death when his mother abandons him to the care of dr

pupila de águila 5 de descuento fnac - Mar 09 2023

web se ve sometida a una pequeña operación lo que la lleva a encontrarse con igor un joven que intentó suicidarse y que le recuerda a su hermano muerto en misteriosas

pupila de aguila 97 gran angular pdf uniport edu - Jan 27 2022

web the document has moved here

pupila de aguila 97 gran angular pdf uniport edu - May 31 2022

web jun 7 2023 pupila de aguila ebook epub gran angular n 97 and numerous ebook collections from fictions to scientific research in any way in the middle of them is this

pupila de aguila ebook epub gran angular n 97 2022 dotnbm - Dec 06 2022

web pupila de águila libro de editorial sm en su vida ya hay un gran secreto con forma de ausencia la de su hermano toni gran angular ean 9788491075578 isbn

pupila de águila de alfredo gómez cerdá en pdf mobi y epub - Jun 12 2023

web valoración 9 de 10 pdfmobi epub magnet link a pesar de que martina es aún adolescente en su vida ya hay un gran secreto con forma de ausencia la de su

pupila de aguila ebook epub gran angular n 97 pdf pdf - Jan 07 2023

web 2 pupila de aguila ebook epub gran angular n 97 2022 06 06 pupila de aguila ebook epub gran angular n 97 downloaded from dotnbm com by guest love dalton the

pupila de aguila ebook epub gran angular n 97 uniport edu - Apr 29 2022

web feb 1 2020 editor ediciones sm edición 1 17 de mayo de 2018 colección gran angular idioma español isbn 10

8491075577 isbn 13 978 8491075578 lee

pupila de águila 5 en libros fnac - Nov 05 2022

web título pupila de águila 97 gran angular clasificación 4 5 de 5 estrellas 310 valoraciones isbn 10 8434827646 isbn 13 9788434827646 idiomae español

gratis pupila de águila 97 gran angular de alfredo gómez - Mar 29 2022

web pupila de aguila 97 gran angular la rana y el águila apr 06 2020 forced marches nov 25 2021 forced marches is a collection of innovative essays that analyze the influence of

descargar pdf pupila de águila 97 gran angular gratis - Oct 16 2023

web título pupila de águila 97 gran angular clasificación 4 5 de 5 estrellas 190 valoraciones isbn 10 8491075577 isbn 13 9788491075578 idiomae español

pupila de aguila ebook epub gran angular n 97 full pdf - Aug 14 2023

web 4 pupila de aguila ebook epub gran angular n 97 2020 05 02 the new york times book review you remember hannibal lecter gentleman genius cannibal seven years

pupila de aguila ebook epub gran angular n 97 dotnbm - May 11 2023

web pupila de aguila ebook epub gran angular n 97 3 3 been called the first historian of the private consciousness and the literary ancestor of writers like joyce and proust the

libro pupila de águila ebook epub gran angular nº 97 de - Sep 15 2023

web feb 3 2020 gratis pupila de águila ebook epub gran angular nº 97 de alfredo gómez cerdá pdf epub mobi gratis descargar gratis pupila de águila ebook

pupila de aguila ebook epub gran angular n 97 pdf full pdf - Aug 02 2022

web apr 11 2023 install pupila de aguila ebook epub gran angular n 97 so simple zohar the book of enlightenment daniel chanan matt 1983 this is the first translation with

pupila de águila gran angular nº 97 ebook amazon es - Jul 13 2023

web pupila de águila gran angular nº 97 ebook cerdá alfredo gómez amazon es libros libros juvenil novelas y ficción literaria lectura ilimitada millones de títulos más

pupila de aguila ebook epub gran angular n 97 2023 - Sep 03 2022

web pupila de aguila ebook epub gran angular n 97 pdf is available in our book collection an online access to it is set as public so you can download it instantly our book servers

descargar pupila de Águila gratis epub pdf y mobi 2020 - Nov 24 2021

