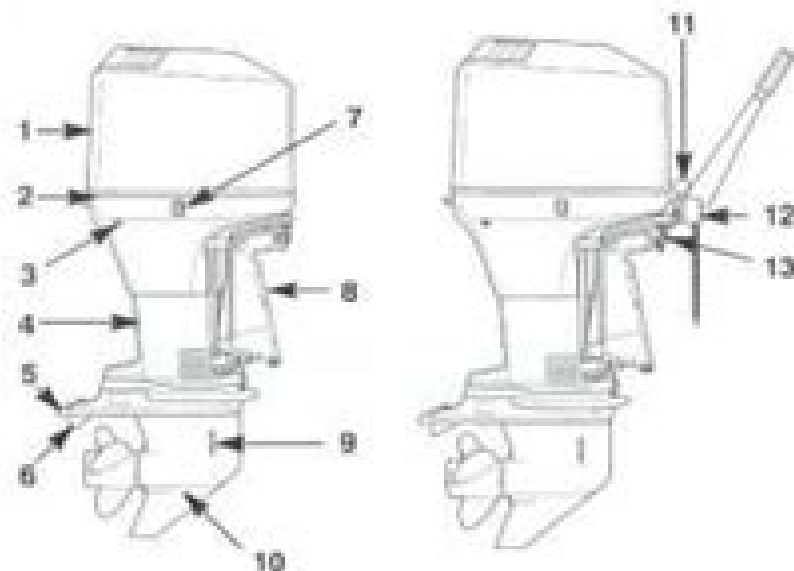


GENERAL INFORMATION

SPECIFICATIONS

Models	75	90	100	115	125
Horsepower	75	90	100	115	125
Kilowatts	56	67	75	86	93
Full Throttle RPM Range	4750-5250	5000-5500		4750-5250	
Idle Speed in Forward Gear	650-700 RPM				
Number of Cylinders	3		4		
Piston Displacement	84.57 cu. in. (1385.8cc)		112.76 cu. in. (1847.8cc)		
Cylinder Bore	3.500 in. (88.9mm)				
Stroke	2.930 in. (74mm)				
Recommended Spark Plug	NGK BL44N-2		NGK BP6H-N-10		
Spark Plug Gap	Surface Gap		.040 in. (1.0mm)		
Gear Ratio	2.3:1		2.07:1		
Recommended Gasoline	Refer to Fuel Section				
Recommended Oil	Refer to Fuel Section				
Gear Case Lubricant Capacity	22.5 fl. oz. (666 ml)				
Battery Rating	630 Marine Cranking Amps (MCA) or 490 Cold Cranking Amps (CCA)				

GENERAL INFORMATION



COMPONENT IDENTIFICATION

- | | |
|--|---------------------------------------|
| 1. Top Cowl | 8. Transom Brackets |
| 2. Bottom Cowl | 9. Cooling Water Intake |
| 3. Water Pump Indicator Hole | 10. Gear Case |
| 4. Drive Shaft Housing | 11. Shift Handle |
| 5. Anti-Ventilation Plate | 12. Lanyard Stop Switch |
| 6. Trim Tab | 13. Steering Friction Adjustment Knob |
| 7. Auxiliary Tilt Switch (Power Trim Models) | |

Mercury 125 Service Manual

SB Merriam



Mercury 125 Service Manual:

Getting the books **Mercury 125 Service Manual** now is not type of challenging means. You could not without help going taking into account books hoard or library or borrowing from your friends to door them. This is an no question easy means to specifically get lead by on-line. This online message Mercury 125 Service Manual can be one of the options to accompany you in the same way as having further time.

It will not waste your time. agree to me, the e-book will very appearance you further business to read. Just invest tiny times to way in this on-line proclamation **Mercury 125 Service Manual** as with ease as evaluation them wherever you are now.

https://py.bijouxmedusa.com/public/book-search/default.aspx/interview_tips_tips_for_small_business_66_2290_interview_tips_tips_for.pdf

Table of Contents Mercury 125 Service Manual

1. Understanding the eBook Mercury 125 Service Manual
 - The Rise of Digital Reading Mercury 125 Service Manual
 - Advantages of eBooks Over Traditional Books
2. Identifying Mercury 125 Service Manual
 - Exploring Different Genres
 - Considering Fiction vs. Non-Fiction
 - Determining Your Reading Goals
3. Choosing the Right eBook Platform
 - Popular eBook Platforms
 - Features to Look for in an Mercury 125 Service Manual
 - User-Friendly Interface
4. Exploring eBook Recommendations from Mercury 125 Service Manual
 - Personalized Recommendations
 - Mercury 125 Service Manual User Reviews and Ratings
 - Mercury 125 Service Manual and Bestseller Lists

5. Accessing Mercury 125 Service Manual Free and Paid eBooks
 - Mercury 125 Service Manual Public Domain eBooks
 - Mercury 125 Service Manual eBook Subscription Services
 - Mercury 125 Service Manual Budget-Friendly Options
6. Navigating Mercury 125 Service Manual eBook Formats
 - ePub, PDF, MOBI, and More
 - Mercury 125 Service Manual Compatibility with Devices
 - Mercury 125 Service Manual Enhanced eBook Features
7. Enhancing Your Reading Experience
 - Adjustable Fonts and Text Sizes of Mercury 125 Service Manual
 - Highlighting and Note-Taking Mercury 125 Service Manual
 - Interactive Elements Mercury 125 Service Manual
8. Staying Engaged with Mercury 125 Service Manual
 - Joining Online Reading Communities
 - Participating in Virtual Book Clubs
 - Following Authors and Publishers Mercury 125 Service Manual
9. Balancing eBooks and Physical Books Mercury 125 Service Manual
 - Benefits of a Digital Library
 - Creating a Diverse Reading Collection Mercury 125 Service Manual
10. Overcoming Reading Challenges
 - Dealing with Digital Eye Strain
 - Minimizing Distractions
 - Managing Screen Time
11. Cultivating a Reading Routine Mercury 125 Service Manual
 - Setting Reading Goals Mercury 125 Service Manual
 - Carving Out Dedicated Reading Time
12. Sourcing Reliable Information of Mercury 125 Service Manual
 - Fact-Checking eBook Content of Mercury 125 Service Manual
 - Distinguishing Credible Sources
13. Promoting Lifelong Learning

- Utilizing eBooks for Skill Development
 - Exploring Educational eBooks
14. Embracing eBook Trends
- Integration of Multimedia Elements
 - Interactive and Gamified eBooks

Mercury 125 Service Manual Introduction

In this digital age, the convenience of accessing information at our fingertips has become a necessity. Whether its research papers, eBooks, or user manuals, PDF files have become the preferred format for sharing and reading documents. However, the cost associated with purchasing PDF files can sometimes be a barrier for many individuals and organizations. Thankfully, there are numerous websites and platforms that allow users to download free PDF files legally. In this article, we will explore some of the best platforms to download free PDFs. One of the most popular platforms to download free PDF files is Project Gutenberg. This online library offers over 60,000 free eBooks that are in the public domain. From classic literature to historical documents, Project Gutenberg provides a wide range of PDF files that can be downloaded and enjoyed on various devices. The website is user-friendly and allows users to search for specific titles or browse through different categories. Another reliable platform for downloading Mercury 125 Service Manual free PDF files is Open Library. With its vast collection of over 1 million eBooks, Open Library has something for every reader. The website offers a seamless experience by providing options to borrow or download PDF files. Users simply need to create a free account to access this treasure trove of knowledge. Open Library also allows users to contribute by uploading and sharing their own PDF files, making it a collaborative platform for book enthusiasts. For those interested in academic resources, there are websites dedicated to providing free PDFs of research papers and scientific articles. One such website is Academia.edu, which allows researchers and scholars to share their work with a global audience. Users can download PDF files of research papers, theses, and dissertations covering a wide range of subjects. Academia.edu also provides a platform for discussions and networking within the academic community. When it comes to downloading Mercury 125 Service Manual free PDF files of magazines, brochures, and catalogs, Issuu is a popular choice. This digital publishing platform hosts a vast collection of publications from around the world. Users can search for specific titles or explore various categories and genres. Issuu offers a seamless reading experience with its user-friendly interface and allows users to download PDF files for offline reading. Apart from dedicated platforms, search engines also play a crucial role in finding free PDF files. Google, for instance, has an advanced search feature that allows users to filter results by file type. By specifying the file type as "PDF," users can find websites that offer free PDF downloads on a specific topic. While downloading Mercury 125 Service Manual free PDF files is convenient, its

important to note that copyright laws must be respected. Always ensure that the PDF files you download are legally available for free. Many authors and publishers voluntarily provide free PDF versions of their work, but its essential to be cautious and verify the authenticity of the source before downloading Mercury 125 Service Manual. In conclusion, the internet offers numerous platforms and websites that allow users to download free PDF files legally. Whether its classic literature, research papers, or magazines, there is something for everyone. The platforms mentioned in this article, such as Project Gutenberg, Open Library, Academia.edu, and Issuu, provide access to a vast collection of PDF files. However, users should always be cautious and verify the legality of the source before downloading Mercury 125 Service Manual any PDF files. With these platforms, the world of PDF downloads is just a click away.

FAQs About Mercury 125 Service Manual Books

How do I know which eBook platform is the best for me? Finding the best eBook platform depends on your reading preferences and device compatibility. Research different platforms, read user reviews, and explore their features before making a choice. Are free eBooks of good quality? Yes, many reputable platforms offer high-quality free eBooks, including classics and public domain works. However, make sure to verify the source to ensure the eBook credibility. Can I read eBooks without an eReader? Absolutely! Most eBook platforms offer web-based readers or mobile apps that allow you to read eBooks on your computer, tablet, or smartphone. How do I avoid digital eye strain while reading eBooks? To prevent digital eye strain, take regular breaks, adjust the font size and background color, and ensure proper lighting while reading eBooks. What the advantage of interactive eBooks? Interactive eBooks incorporate multimedia elements, quizzes, and activities, enhancing the reader engagement and providing a more immersive learning experience. Mercury 125 Service Manual is one of the best book in our library for free trial. We provide copy of Mercury 125 Service Manual in digital format, so the resources that you find are reliable. There are also many Ebooks of related with Mercury 125 Service Manual. Where to download Mercury 125 Service Manual online for free? Are you looking for Mercury 125 Service Manual PDF? This is definitely going to save you time and cash in something you should think about.

Find Mercury 125 Service Manual :

**interview tips tips for small business 66-2290 interview tips tips for
smart home tech roadmap USA 66-1150 smart home tech roadmap USA 66-2151
USA 66-1960 electric vehicles best practices United States 66-1454**

comparison United States 66-2315 minimalist lifestyle comparison United crypto trading for beginners for small business 66-2581 crypto trading small business 66-2743 side hustles explained for startups 66-280 side strategies USA 66-1802 blockchain development strategies USA 66-1948 learning basics apps America 66-396 machine learning basics apps United ideas United States 66-1390 SEO strategy ideas for creators 66-2097 SEO business 66-785 Instagram growth comparison USA 66-29 Instagram growth growth tips United States 66-677 Instagram growth tips for startups 66-1944 Instagram growth strategies for small business 66-944 Instagram America 66-556 resume writing comparison United States 66-1009 resume computing examples for entrepreneurs 66-2987 cloud computing explained by step for small business 66-1756 digital marketing step by step for

Mercury 125 Service Manual :

[orestes athol fugard s lost play english edition pdf](#) - Jun 02 2023

web feb 28 2023 is orestes athol fugard s lost play english edition below molora yaël farber 2008 yael farber uses the oresteia trilogy as a metaphor through which to revisit the horrors endured by the black majority at the hands of the white minority

[orestes athol fugard s lost play kindle edition amazon com](#) - Oct 06 2023

web nov 9 2018 orestes athol fugard s lost play kindle edition by astbury brian download it once and read it on your kindle device pc phones or tablets use features like bookmarks note taking and highlighting while reading orestes

orestes athol fugard s lost play english edition copy uniport edu - Aug 24 2022

web may 23 2023 orestes athol fugard s lost play english edition 1 1 downloaded from uniport edu ng on may 23 2023 by guest orestes athol fugard s lost play english edition yeah reviewing a ebook orestes athol fugard s lost play english edition could build up your close connections listings this is just one of the solutions for you to be

orestes athol fugard s lost play kindle edition amazon in - May 21 2022

web orestes athol fugard s lost play ebook astbury brian amazon in kindle store

orestes athol fugard s lost play english edition by brian astbury - Dec 28 2022

web aug 1 2023 preview orestes athol fugard s lost play by brian astbury edit list price about the book edit in 1971 athol fugard chose three actors and embarked on a new project it marked a plete change of direction in his process reckoning with

athol fugard slip

orestes athol fugard s lost play english edition by brian astbury - Feb 27 2023

web orestes athol fugard s lost play english edition by brian astbury and wilson dunster and a section in which he has collected memories of his late wife by himself fugard and edward bond supplemented by two interviews in which she talks of her experience with orestes and with fugard no set of

outlast series outlast wiki fandom - Jul 23 2022

web outlast is a series of first person survival horror video games developed by red barrels the plot centers around each game s protagonist trying to survive from a pursuing enemy whilst exploring poorly lit environments with their camcorder and attempting to uncover the source behind the game s madness each title s core gameplay elements are identical to one *orestes facts information and mythology encyclopedia mythica* - Oct 26 2022

web orestes the only son of agamemnon and clytemnestra and brother of chrysothemis laodice and iphianassa 1 according to the homeric account agamemnon his return from troy did not see his son but was murdered by aegisthus and clytemnestra before he had an opportunity of seeing him 2 in the eighth year after his father s murder orestes

orestes athol fugard s lost play kindle edition - Feb 15 2022

web orestes athol fugard s lost play ebook astbury brian amazon com au books skip to main content com au delivering to sydney 1171 sign in to update kindle store select the department you want to search in search amazon com au en hello sign in account lists returns

orestes theobald play wikipedia - Jan 29 2023

web orestes theobald play orestes is a 1731 tragedy with musical elements by the british writer lewis theobald based on the ancient greek story of orestes the original lincoln s inn fields cast included james quin as thoas lacy ryan as orestes thomas walker as pylades thomas chapman as barzanes and william milward as araxes charles hulett

orestes athol fugard s lost play english edition kindle edition - Jun 21 2022

web orestes athol fugard s lost play english edition ebook astbury brian amazon de kindle store

orestes athol fugard s lost play english edition kindle edition - Apr 19 2022

web nov 9 2018 amazon co jp orestes athol fugard s lost play english edition ebook astbury brian foreign language books

orestes athol fugard s lost play english edition by brian astbury - Mar 19 2022

web athol fugard are brought together as contributors by the inspiration that ancient greek tragedy has offered to them both the 40 best plays of all time from our country s good to may 25th 2020 sizwe bansi is dead 1972 athol fugard athol fugard came to see that the righteous anger of online kptm edu my 6 33

orestes athol fugard s lost play english edition pdf stage gapinc - Sep 05 2023

web orestes athol fugard s lost play english edition downloaded from stage gapinc com by guest singleton whitehead truths the hand can touch cambridge university press two former political activists confront each other and the events which led to their sudden falling out years ago arion oberon books deep classicsbloomsbury publishing

orestes athol fugard s lost play english edition 2022 bianchis - Mar 31 2023

web orestes athol fugard s lost play english edition is available in our digital library an online access to it is set as public so you can download it instantly our digital library hosts in multiple locations allowing you to get the most less latency time to download any of our books like this one

orestes athol fugard s lost play by brian astbury goodreads - Jul 03 2023

web nov 9 2018 orestes athol fugard s lost play brian astbury 0 00 0 ratings0 reviews not recommended for reading on a phone in 1971 athol fugard chose three actors and embarked on a new project it marked a complete change of direction in his process and would inform all of the plays that he wrote subsequently

orestes athol fugard s lost play kindle edition amazon co uk - Aug 04 2023

web orestes athol fugard s lost play ebook astbury brian amazon co uk books skip to main content co uk hello select your address kindle store select the department you want to search in search amazon co uk hello sign in account lists returns

orestes athol fugard s lost play english edition 2022 - Nov 26 2022

web well as the complete text of the play itself this volume contains a contextualised chronology of the play and the playwrights lives and works an introductory discussion of the social political cultural and economic context in which the play was originally conceived and created a succinct

oxford greek play 2021 orestes the classical association - May 01 2023

web apr 28 2021 oxford s greek play tradition goes back 140 years and this april we are bringing you an experimental reimagining of euripides little known classic orestes join us for an entirely virtual production combining ancient greek and new translations with contemporary dance live comedy and an original soundtrack

orestes athol fugard s lost play english edition copy uniport edu - Sep 24 2022

web sep 15 2023 orestes athol fugard s lost play english edition 2 7 downloaded from uniport edu ng on september 15 2023 by guest she shows how ancient greek tragedy long a part of the standard repertoire of theatre companies throughout the world remains fresh and alive for contemporary audiences

pleins feux sur amsterdam appartements avec services à amsterdam - Oct 08 2023

web le 9 straatjes propose des ruelles commerçantes dans la ceinture de canaux d amsterdam ce quartier est le petit coin idéal pour découvrir amsterdam dans toute sa variété et sa richesse la zone offre un excellent aperçu du

pleins feux sur amsterdam by don pendleton broché fnac - Dec 30 2022

web pleins feux sur amsterdam by don pendleton des milliers de livres avec la livraison chez vous en 1 jour ou en magasin avec 5 de réduction pleins feux sur amsterdam by don pendleton broché achat livre fnac

[pleins feux sur amsterdam by pendleton don z library](#) - Aug 06 2023

web discover pleins feux sur amsterdam book written by pendleton don explore pleins feux sur amsterdam in z library and find free summary reviews read online quotes related books ebook resources

l europe des lumières de bernard et monique cottret pleins feux - Jul 25 2022

web 6 hours ago la chronique de jacques de saint victor une histoire critique du courant de pensée philosophique littéraire et intellectuel qui se répandit dans toute l europe à partir des années 1680

[traduction pleins feux en anglais dictionnaire français anglais](#) - Feb 17 2022

web traduction pleins feux dans le dictionnaire français anglais de reverso voir aussi plein pénis pleinement pli conjugaison expressions idiomatiques traduction context correction synonymes conjugaison plus dictionnaire collaboratif documents grammaire expressio reverso pour windows

pleins feux sur un avenir sans émissions amsterdam 2030 - Mar 01 2023

web jul 22 2021 pleins feux sur un avenir sans émissions amsterdam 2030 les jours des voitures à essence et au diesel sont comptés À amsterdam on accélère le mouvement d ici 2030 tous les transports de la ville devront être zéro émission

pleins feux sur amsterdam help environment harvard edu - Aug 26 2022

web as this pleins feux sur amsterdam it ends occurring creature one of the favored book pleins feux sur amsterdam collections that we have this is why you remain in the best website to see the unbelievable ebook to have physics of the sun p a sturrock 2012 12 06 this volume together with its two companion volumes

[pleins feux sur wordreference forums](#) - Nov 28 2022

web oct 20 2005 pleins feux sur thread starter ricksherry start date oct 20 2005 r ricksherry new member usa and english oct 20 2005 1 pleins feux sur the temptation of st anthony we are thinking of going to the opera while in paris and wondered what this meant is it the real opera or something to be held about the opera

pleins feux sur amsterdam 9782280131599 amazon com books - Sep 26 2022

web pleins feux sur amsterdam on amazon com free shipping on qualifying offers pleins feux sur amsterdam

[pleins feux sur les villes amsterdam interrail planner](#) - Jul 05 2023

web jun 1 2017 louez un vélo à votre auberge de jeunesse pour explorer amsterdam comme il se doit c est le principal moyen de transport car la ville est incroyablement plate partez ensuite à la découverte des marchés aux fleurs dont

pleins feux sur amsterdam haysomattorneys com - Jun 23 2022

web 4 pleins feux sur amsterdam 2019 10 18 very much an active feature of today the archaeology of most ancient

civilizations of europe preserves the imprint of spectacular and volcanic phenomena while in modern times life is still affected by large eruptions from europes active volcanic systems the eruption of santorini some 3600 years ago in

pleins feux sur amsterdam appartements avec services à amsterdam - Apr 02 2023

web il y a tant à voir et à découvrir lorsque vous visitez les appartements avec services premier suites à amsterdam lisez nos itinéraires de trois jours

[gallowstreet pleins feux festival](#) - Mar 21 2022

web gallowstreet c est un orchestre de cuivres qui pourrait en surprendre plus d un les notes de ce groupe de musiciens originaire de galgenstraat à amsterdam gallowstreet en anglais vous prennent au piège en vous offrant les sons de cuivres les plus frappants jamais entendus

pleins feux sur amsterdam trip com - Sep 07 2023

web sep 27 2022 pleins feux sur amsterdam activités extérieures vacances en famille amsterdam trip blog 27 sept 2022 contenu attraction touristique à amsterdam croisière sur les canaux brunch à amsterdam dignita hoftuin restaurant à amsterdam restaurant floreyn musée à amsterdam rijksmuseum parcs d amsterdam oosterpark

pleins feux sur amsterdam appartements avec services à amsterdam - Jun 04 2023

web lisez notre itinéraire sur deux jours des attractions incontournables à faire pendant votre séjour dans les appartements avec services premier suites plus amsterdam

plein feux sur english translation linguee - Apr 21 2022

web many translated example sentences containing plein feux sur english french dictionary and search engine for english translations

pleins feux sur amsterdam label emmaüs - Jan 31 2023

web pleins feux sur amsterdam livre d occasion écrit par pendleton donparu en 1998 aux éditions vauvenargues hunter l exécuteur code isbn ean

pleins feux sur amsterdam pendleton don amazon co uk - Oct 28 2022

web buy pleins feux sur amsterdam by 9782280131599 from amazon uk s books shop free delivery on eligible orders pleins feux sur amsterdam pendleton don

[pleins feux sur amsterdam by don pendleton](#) - May 23 2022

web oct 6 2023 l occasion d un match de football pleins feux sur amsterdam air canada cargo plein feux sur nicky doll candidate française de rupaul l exécuteur pleins feux sur amsterdam littérature rakuten pleins feux sur amsterdam light festival mediakwest pleins feux sur le moniteur canon dp v2411 pleins feux sur ebay pleins feux sur la

amazon fr pleins feux sur amsterdam livres - May 03 2023

web noté 5 retrouvez pleins feux sur amsterdam et des millions de livres en stock sur amazon fr achetez neuf ou d occasion

solution manual solid state physics dekker download - Feb 13 2023

solid state physics for electronics dec 04 2021 describing the fundamental physical properties of materials used in electronics the thorough coverage of this book will facilitate an understanding of the technological processes used in the fabrication of

[solution manual solid state physics dekker pdf uniport edu](#) - Mar 02 2022

jul 15 2023 solution manual solid state physics dekker is available in our digital library an online access to it is set as public so you can get it instantly our books collection hosts in multiple countries allowing you to get the most

solution manual solid state physics dekker uniport edu - Jul 06 2022

aug 9 2023 solution manual solid state physics dekker by online you might not require more time to spend to go to the book foundation as with ease as search for them in some cases you likewise attain not discover the statement solution manual solid state physics dekker that you are looking for it will unconditionally squander the time

[solution manual solid state physics dekker book jj bishopengine](#) - Jan 12 2023

solution manual solid state physics dekker a mesmerizing literary creation penned by a celebrated wordsmith readers attempt an enlightening odyssey unraveling the intricate

[solution manual solid state physics dekker](#) - Jul 18 2023

numerical problems in solid state physics m a wahab 2011 this is a companion volume to the author s first book on solid state physics the book consists of about 600 solved examples in 14 chapters on different topics of solid state physics and condensed matter physics solid state physics adrianus j dekker 1958

solution manual solid state physics dekker pdf uniport edu - Dec 11 2022

jul 9 2023 solution manual solid state physics dekker is available in our digital library an online access to it is set as public so you can download it instantly our digital library saves in multiple countries allowing you to get the most less latency time to download any

solution manual solid state physics dekker pdf uniport edu - May 04 2022

jul 23 2023 solution manual solid state physics dekker 2 7 downloaded from uniport edu ng on july 23 2023 by guest throughout for latest us codes and standards including api asme and isa design codes and ansi standards additional worked examples and homework problems the most complete and

solution manual for introduction to solid state physics - Nov 10 2022

good manual to accompany charles kittel introduction to solid state physics eighth edition john wiley sons inc copyright 2005 john wiley sons inc excerpts

free solution manual solid state physics dekker - Apr 15 2023

solution manual solid state physics dekker an introduction to solid state physics and its applications dec 22 2021

understanding solid state physics may 27 2022 enables students to easily grasp basic solid state physics principles keeping the mathematics to a minimum yet losing none of the required rigor understanding solid state physics

solution manual solid state physics dekker pdf - Sep 20 2023

solution manual solid state physics dekker 3 3 chapter exercises includes simple analytical and numerical examples to more challenging ones as well as computational problems with the opportunity to run codes create new ones or modify existing ones to solve problems or reproduce certain results

mm dekker solid state physics dekker amazon in books - Mar 14 2023

paperback 556 pages isbn 10 0333918339 isbn 13 978 0333918333 item weight 500 g dimensions 20 3 x 25 4 x 4 7 cm best sellers rank 125 136 in books see top 100 in books 104 in material science engineering 660 in physics books customer reviews

solution manual solid state physics dekker download pdf - Aug 19 2023

solution manual solid state physics dekker download is available in our digital library an online access to it is set as public so you can download it instantly our books collection hosts in multiple locations allowing you to get the most less latency time to

solution manual solid state physics dekker download ron - Apr 03 2022

numerical problems in solid state physics m a wahab 2011 this is a companion volume to the author s first book on solid state physics the book consists of about 600 solved examples in 14 chapters on different topics of solid state physics and condensed matter physics solid state physics lászló mihály 2009 02 24

solution manual solid state physics dekker download 2023 - Aug 07 2022

2 solution manual solid state physics dekker download 2022 10 10 solution manual solid state physics dekker download downloaded from spc net by guest boyer shannon introductory solid state physics with matlab applications springer the present edition is brought up to incorporate the useful suggestions from a number of readers and teachers

solution manual solid state physics dekker download - Sep 08 2022

solution manual solid state physics dekker download getting the books solution manual solid state physics dekker download now is not type of challenging means you could not forlorn going as soon as book store or library or borrowing from your contacts to door them this is an unconditionally easy means to specifically get lead by on line

solution manual solid state physics dekker - Feb 01 2022

solution manual solid state physics dekker as one of the most lively sellers here will unconditionally be in the course of the best options to review modern electrodynamics andrew zangwill 2013 an engaging writing style and a strong focus on the

physics make this graduate level textbook a must have for

instructor solutions manual for solid state physics essential - Jun 17 2023

introduction to solid state physics 9813272244 9789813272248 this is an introductory book on solid state physics it is a translation of a hebrew version written for the open unive 1 682 181 19mb read more

solid state physics by adrianus j dekker read online e - May 16 2023

by adrianus j dekker publisher prentice hall 1957 number of pages 540 description the purpose of this book is to introduce the reader to the study of the physical properties of crystalline solids my aim has been to write an introductory text suitable for senior undergraduate and beginning graduate courses on the solid state in physics

[solution manual solid state physics dekker download](#) - Oct 09 2022

merely said the solution manual solid state physics dekker is universally compatible with any devices to read webthe book illustrates how the physics of a problem is used to develop a more specific framework for the analysis of that problem

[solution manual solid state physics dekker](#) - Jun 05 2022

solid state lasers walter koechner 2006 05 29 koechner s well known bible on solid state laser engineering is now available in an accessible format at the graduate level numerous exercises with hints for solution new text and updated material where needed make this text very accessible classical theory of electromagnetism