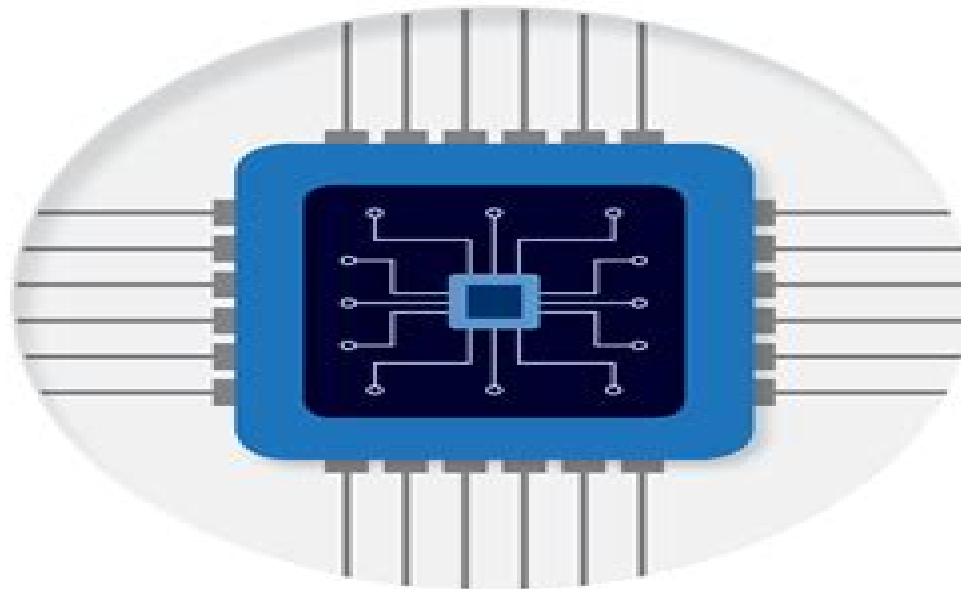


# SEDRA/SMITH

## Microelectronic Circuits

EIGHTH EDITION

ADEL S. SEDRA | KENNETH C. SMITH | TONY CHAN CARUSONE | VINCENT GAUDET



# Microelectronic Circuits 7th Edition

**Marco Casella**



## **Microelectronic Circuits 7th Edition:**

Microelectronic Circuits 7th Edition Sedra,2014-11-14     *Microelectronic Circuits 7th Edition, International Edition*

Adel S. Sedra,Kenneth Carless Smith,2015     *Microelectronic Circuits 7th Edition Custom Liberty University*

Sedra/Smith,2016-05-23     *Microelectronic Circuits 7th Edition Custom I Penn State University* Sedra,2016-08-21

Microelectronic Circuits 7th Edition Custom II Penn State University Sedra,2016-08-21     *Elements of Electromagnetics*

Matthew N. O. Sadiku,2018 Taking a vector first approach this text provides a balanced presentation of a host of topics including electrostatics magnetostatics fields waves and applications like transmission lines waveguides and antennas The new edition includes new Application Notes detailing real world connections a revised math pre test for professors to assess students mathematical skills and new and updated problems     *Basic Electrical, Electronics and Measurement Engineering*

Mr. Yogesh Ramchandra Naik, Mr. Pritam Dadasaheb Desai, Mrs. Ashwini C. Patil, Mr. Shree S. Kesarkar,2026-02-24 *Basic Electrical Electronics and Measurement Engineering* deals with the fundamental principles of electrical circuits electronic devices and measurement techniques used in engineering applications It includes core electrical concepts such as voltage current resistance power and energy along with laws like Ohm s law and Kirchhoff s laws for circuit analysis The electronics part focuses on semiconductor devices such as diodes transistors and basic circuits like rectifiers and amplifiers It also covers AC and DC circuit behavior and components like resistors capacitors and inductors Measurement engineering involves the use of instruments to measure electrical quantities such as voltage current resistance and power accurately Concepts like accuracy precision calibration and error analysis are also included The subject helps in understanding how to design test and maintain electrical and electronic systems It is widely applied in industries laboratories and communication systems Overall it forms a strong foundation for advanced studies in electrical electronics and instrumentation engineering

*Elements of Power Electronics* Philip T. Krein,2015 *Elements of Power Electronics* features a unifying framework that includes the physical implications of circuit laws switching circuit analysis and the basis for converter operation and control It discusses dc dc ac dc dc ac and ac ac conversion tasks and principles of resonant converters and discontinuous converters The text also addresses magnetic device design thermal management and drivers for power semiconductors control system aspects of converters and both small signal and geometric controls Models for real devices and components including capacitors inductors wire connections and power semiconductors are developed in depth while newly expanded examples show students how to use tools like Mathcad Matlab and Mathematica to aid in the analysis and design of conversion circuits

**LINEAR AND DIGITAL IC APPLICATIONS** Mr.J.Vamsikrishna, Mrs.M.Prasanna, Dr.S.Suganya, Dr.O.Cyril Mathew,2025-11-22 *Integrated Circuits ICs* have transformed the landscape of modern electronics enabling compact reliable and high performance systems across all domains of engineering and technology This multi author book *Linear and Digital IC Applications* has been designed to provide a comprehensive understanding of the principles characteristics and practical

applications of both linear and digital integrated circuits The primary objective of this book is to offer students educators and electronics practitioners a strong foundation in IC theory while emphasizing real world implementation The chapters cover essential topics such as operational amplifiers timers voltage regulators combinational and sequential circuits logic families A D and D A converters and application oriented design practices Each chapter is written by subject experts ensuring accuracy clarity and depth As a multi author academic contribution the book brings together diverse expertise from faculty and researchers who specialize in analog and digital electronics Their combined experience enriches the content with practical insights circuit analysis techniques and application focused examples that align with industry requirements and modern technological trends This book also integrates laboratory level understanding by highlighting circuit behavior design methodologies troubleshooting approaches and commonly used ICs such as 741 555 723 7800 series 7476 74192 and various CMOS TTL families Special emphasis is placed on bridging theoretical concepts with hands on experimentation to support effective learning We gratefully acknowledge the contributions of the authors reviewers and academic institutions involved in this work Their commitment and collaborative efforts have ensured the successful completion of this volume We also appreciate the support of the publishing team for their guidance and cooperation throughout the process It is our hope that this book serves as a valuable resource for undergraduate students diploma learners faculty members and electronics hobbyists helping them build a strong foundation in linear and digital IC applications and inspiring them to explore advanced electronic system design

**Practical Audio Electronics** Kevin Robinson,2020-02-10 Practical Audio Electronics is a comprehensive introduction to basic audio electronics and the fundamentals of sound circuit building providing the reader with the necessary knowledge and skills to undertake projects from scratch Imparting a thorough foundation of theory alongside the practical skills needed to understand build modify and test audio circuits this book equips the reader with the tools to explore the sonic possibilities that emerge when electronics technology is applied innovatively to the making of music Suitable for all levels of technical proficiency this book encourages a deeper understanding through highlighted sections of advanced material and example projects including circuits to make alter and amplify audio providing a snapshot of the wide range of possibilities of practical audio electronics An ideal resource for students hobbyists musicians audio professionals and those interested in exploring the possibilities of hardware based sound and music creation

**Transistors!** Mark S Lundstrom,2022-12-19 Current leading edge CMOS transistors are about as small as they will get We now have a simple clear very physical understanding of how these devices function but it has not yet entered our textbooks Besides CMOS logic transistors power transistors are increasingly important as are III V heterostructure transistors for high frequency communication Transistor reliability is also important but rarely treated in introductory textbooks As we begin a new era in which making transistors smaller will no longer be a major driving force for progress it is time to look back at what we have learned in transistor research Today we see a need to convey as simply and clearly as possible the essential physics of the

device that makes modern electronics possible That is the goal of these lectures This volume rearranges the familiar topics and distills the most essential among them while adding most recent approaches which have become crucial to the discussion To follow the lectures readers need only a basic understanding of semiconductor physics Familiarity with transistors and electronic circuits is helpful but not assumed Related Link s [The Electronics Handbook](#) Jerry C. Whitaker,2018-10-03

During the ten years since the appearance of the groundbreaking bestselling first edition of The Electronics Handbook the field has grown and changed tremendously With a focus on fundamental theory and practical applications the first edition guided novice and veteran engineers along the cutting edge in the design production installation operation and maintenance of electronic devices and systems Completely updated and expanded to reflect recent advances this second edition continues the tradition The Electronics Handbook Second Edition provides a comprehensive reference to the key concepts models and equations necessary to analyze design and predict the behavior of complex electrical devices circuits instruments and systems With 23 sections that encompass the entire electronics field from classical devices and circuits to emerging technologies and applications The Electronics Handbook Second Edition not only covers the engineering aspects but also includes sections on reliability safety and engineering management The book features an individual table of contents at the beginning of each chapter which enables engineers from industry government and academia to navigate easily to the vital information they need This is truly the most comprehensive easy to use reference on electronics available **Books in Print** ,1991 **The Cumulative Book Index** ,1999 **Forthcoming Books** Rose Army,1998 [Cumulated Index to the Books](#) ,1999 **McGraw-Hill Concise Encyclopedia of Engineering** McGraw Hill,2005-06-15 Hundreds of well illustrated articles explore the most important fields of science Based on content from the McGraw Hill Concise Encyclopedia of Science Technooogy Fifth Edition the most widely used and respected science reference of its kind in print each of these subject specific quick reference guides features Detailed well illustrated explanations not just definitions Hundreds of concise yet authoritative articles in each volume An easy to understand presentation accessible and interesting to non specialists A portable convenient format Bibliographies appendices and other information supplement the articles *The Best Books for Academic Libraries: Science, technology, and agriculture* ,2002 **Active and Non-Linear Electronics** Thomas F. Schubert,Ernest M. Kim,1996-02-19 Focus is on the principles necessary to understand analyse and design electronic circuitry using currently available technologies **Microelectronic Circuits** Adel S. Sedra,Kenneth C. Smith,2010-07-29 This market leading textbook continues its standard of excellence and innovation built on the solid pedagogical foundation that instructors expect from Adel S Sedra and Kenneth C Smith All material in the international sixth edition of Microelectronic Circuits is thoroughly updated to reflect changes in technology CMOS technology in particular These technological changes have shaped the book s organization and topical coverage making it the most current resource available for teaching tomorrow s engineers how to analyze and design electronic circuits In addition end of chapter

problems unique to this version of the text help preserve the integrity of instructor assignments

Thank you unconditionally much for downloading **Microelectronic Circuits 7th Edition**. Most likely you have knowledge that, people have look numerous period for their favorite books subsequent to this Microelectronic Circuits 7th Edition, but stop stirring in harmful downloads.

Rather than enjoying a good PDF as soon as a mug of coffee in the afternoon, instead they juggled later some harmful virus inside their computer. **Microelectronic Circuits 7th Edition** is nearby in our digital library an online access to it is set as public appropriately you can download it instantly. Our digital library saves in compound countries, allowing you to acquire the most less latency time to download any of our books considering this one. Merely said, the Microelectronic Circuits 7th Edition is universally compatible as soon as any devices to read.

[https://py.bijouxmedusa.com/About/Resources/Download\\_PDFS/Come\\_Disegnare\\_I\\_Manga\\_Corpi\\_E\\_Anatomia.pdf](https://py.bijouxmedusa.com/About/Resources/Download_PDFS/Come_Disegnare_I_Manga_Corpi_E_Anatomia.pdf)

## **Table of Contents Microelectronic Circuits 7th Edition**

1. Understanding the eBook Microelectronic Circuits 7th Edition
  - The Rise of Digital Reading Microelectronic Circuits 7th Edition
  - Advantages of eBooks Over Traditional Books
2. Identifying Microelectronic Circuits 7th Edition
  - Exploring Different Genres
  - Considering Fiction vs. Non-Fiction
  - Determining Your Reading Goals
3. Choosing the Right eBook Platform
  - Popular eBook Platforms
  - Features to Look for in an Microelectronic Circuits 7th Edition
  - User-Friendly Interface
4. Exploring eBook Recommendations from Microelectronic Circuits 7th Edition
  - Personalized Recommendations
  - Microelectronic Circuits 7th Edition User Reviews and Ratings

- Microelectronic Circuits 7th Edition and Bestseller Lists
- 5. Accessing Microelectronic Circuits 7th Edition Free and Paid eBooks
  - Microelectronic Circuits 7th Edition Public Domain eBooks
  - Microelectronic Circuits 7th Edition eBook Subscription Services
  - Microelectronic Circuits 7th Edition Budget-Friendly Options
- 6. Navigating Microelectronic Circuits 7th Edition eBook Formats
  - ePub, PDF, MOBI, and More
  - Microelectronic Circuits 7th Edition Compatibility with Devices
  - Microelectronic Circuits 7th Edition Enhanced eBook Features
- 7. Enhancing Your Reading Experience
  - Adjustable Fonts and Text Sizes of Microelectronic Circuits 7th Edition
  - Highlighting and Note-Taking Microelectronic Circuits 7th Edition
  - Interactive Elements Microelectronic Circuits 7th Edition
- 8. Staying Engaged with Microelectronic Circuits 7th Edition
  - Joining Online Reading Communities
  - Participating in Virtual Book Clubs
  - Following Authors and Publishers Microelectronic Circuits 7th Edition
- 9. Balancing eBooks and Physical Books Microelectronic Circuits 7th Edition
  - Benefits of a Digital Library
  - Creating a Diverse Reading Collection Microelectronic Circuits 7th Edition
- 10. Overcoming Reading Challenges
  - Dealing with Digital Eye Strain
  - Minimizing Distractions
  - Managing Screen Time
- 11. Cultivating a Reading Routine Microelectronic Circuits 7th Edition
  - Setting Reading Goals Microelectronic Circuits 7th Edition
  - Carving Out Dedicated Reading Time
- 12. Sourcing Reliable Information of Microelectronic Circuits 7th Edition
  - Fact-Checking eBook Content of Microelectronic Circuits 7th Edition
  - Distinguishing Credible Sources

13. Promoting Lifelong Learning
  - Utilizing eBooks for Skill Development
  - Exploring Educational eBooks
14. Embracing eBook Trends
  - Integration of Multimedia Elements
  - Interactive and Gamified eBooks

### **Microelectronic Circuits 7th Edition Introduction**

Microelectronic Circuits 7th Edition Offers over 60,000 free eBooks, including many classics that are in the public domain.

Open Library: Provides access to over 1 million free eBooks, including classic literature and contemporary works.

Microelectronic Circuits 7th Edition Offers a vast collection of books, some of which are available for free as PDF downloads, particularly older books in the public domain. Microelectronic Circuits 7th Edition : This website hosts a vast collection of scientific articles, books, and textbooks. While it operates in a legal gray area due to copyright issues, its a popular resource for finding various publications. Internet Archive for Microelectronic Circuits 7th Edition : Has an extensive collection of digital content, including books, articles, videos, and more. It has a massive library of free downloadable books. Free-eBooks Microelectronic Circuits 7th Edition Offers a diverse range of free eBooks across various genres. Microelectronic Circuits 7th Edition Focuses mainly on educational books, textbooks, and business books. It offers free PDF downloads for educational purposes. Microelectronic Circuits 7th Edition Provides a large selection of free eBooks in different genres, which are available for download in various formats, including PDF. Finding specific Microelectronic Circuits 7th Edition, especially related to Microelectronic Circuits 7th Edition, might be challenging as theyre often artistic creations rather than practical blueprints. However, you can explore the following steps to search for or create your own Online Searches: Look for websites, forums, or blogs dedicated to Microelectronic Circuits 7th Edition, Sometimes enthusiasts share their designs or concepts in PDF format. Books and Magazines Some Microelectronic Circuits 7th Edition books or magazines might include. Look for these in online stores or libraries. Remember that while Microelectronic Circuits 7th Edition, sharing copyrighted material without permission is not legal. Always ensure youre either creating your own or obtaining them from legitimate sources that allow sharing and downloading. Library Check if your local library offers eBook lending services. Many libraries have digital catalogs where you can borrow Microelectronic Circuits 7th Edition eBooks for free, including popular titles. Online Retailers: Websites like Amazon, Google Books, or Apple Books often sell eBooks. Sometimes, authors or publishers offer promotions or free periods for certain books. Authors Website Occasionally, authors provide excerpts or short stories for free on their websites. While this might not be the Microelectronic Circuits 7th Edition full book , it can give you a

taste of the authors writing style. Subscription Services Platforms like Kindle Unlimited or Scribd offer subscription-based access to a wide range of Microelectronic Circuits 7th Edition eBooks, including some popular titles.

### **FAQs About Microelectronic Circuits 7th Edition Books**

How do I know which eBook platform is the best for me? Finding the best eBook platform depends on your reading preferences and device compatibility. Research different platforms, read user reviews, and explore their features before making a choice. Are free eBooks of good quality? Yes, many reputable platforms offer high-quality free eBooks, including classics and public domain works. However, make sure to verify the source to ensure the eBook credibility. Can I read eBooks without an eReader? Absolutely! Most eBook platforms offer webbased readers or mobile apps that allow you to read eBooks on your computer, tablet, or smartphone. How do I avoid digital eye strain while reading eBooks? To prevent digital eye strain, take regular breaks, adjust the font size and background color, and ensure proper lighting while reading eBooks. What the advantage of interactive eBooks? Interactive eBooks incorporate multimedia elements, quizzes, and activities, enhancing the reader engagement and providing a more immersive learning experience. Microelectronic Circuits 7th Edition is one of the best book in our library for free trial. We provide copy of Microelectronic Circuits 7th Edition in digital format, so the resources that you find are reliable. There are also many Ebooks of related with Microelectronic Circuits 7th Edition. Where to download Microelectronic Circuits 7th Edition online for free? Are you looking for Microelectronic Circuits 7th Edition PDF? This is definitely going to save you time and cash in something you should think about. If you trying to find then search around for online. Without a doubt there are numerous these available and many of them have the freedom. However without doubt you receive whatever you purchase. An alternate way to get ideas is always to check another Microelectronic Circuits 7th Edition. This method for see exactly what may be included and adopt these ideas to your book. This site will almost certainly help you save time and effort, money and stress. If you are looking for free books then you really should consider finding to assist you try this. Several of Microelectronic Circuits 7th Edition are for sale to free while some are payable. If you arent sure if the books you would like to download works with for usage along with your computer, it is possible to download free trials. The free guides make it easy for someone to free access online library for download books to your device. You can get free download on free trial for lots of books categories. Our library is the biggest of these that have literally hundreds of thousands of different products categories represented. You will also see that there are specific sites catered to different product types or categories, brands or niches related with Microelectronic Circuits 7th Edition. So depending on what exactly you are searching, you will be able to choose e books to suit your own need. Need to access completely for Campbell Biology Seventh Edition book? Access Ebook without any digging. And by having access to our

ebook online or by storing it on your computer, you have convenient answers with Microelectronic Circuits 7th Edition To get started finding Microelectronic Circuits 7th Edition, you are right to find our website which has a comprehensive collection of books online. Our library is the biggest of these that have literally hundreds of thousands of different products represented. You will also see that there are specific sites catered to different categories or niches related with Microelectronic Circuits 7th Edition So depending on what exactly you are searching, you will be able to choose ebook to suit your own need. Thank you for reading Microelectronic Circuits 7th Edition. Maybe you have knowledge that, people have search numerous times for their favorite readings like this Microelectronic Circuits 7th Edition, but end up in harmful downloads. Rather than reading a good book with a cup of coffee in the afternoon, instead they juggled with some harmful bugs inside their laptop. Microelectronic Circuits 7th Edition is available in our book collection an online access to it is set as public so you can download it instantly. Our digital library spans in multiple locations, allowing you to get the most less latency time to download any of our books like this one. Merely said, Microelectronic Circuits 7th Edition is universally compatible with any devices to read.

**Find Microelectronic Circuits 7th Edition :**

**come disegnare i manga corpi e anatomia**

computer organization embedded systems solution manual

complete turkish beginner to intermediate course learn to read write speak and understand a new language teach yourself language

*conceptual spaces*

contemporary human geography culture globalization landscape

concise history of world population a

*como aumentar a testosterona r pido 4 formas comprovadas*

*compendio de matematica basica elemental job placencia*

comprehensive persian english dictionary wespan

*compustar remote start install guide*

**competitive advantage period cap new york university**

*compendio manual de la biblia rvr60*

**computer science quick reference guide**

*computer networks and internets*

competition car aerodynamics by simon mcbeath

**Microelectronic Circuits 7th Edition :**

**penggunaan fungsi if count if dan lookup 2022** - Oct 05 2022

web 4 penggunaan fungsi if count if dan lookup 2022 02 01 pertama dan terlengkap yang mengupas fungsi tersebut dengan pendekatan logika dikupas dengan bahasa yang sederhana sehingga terasa begitu ringan dan sangat mudah dipelajari materi pembahasan dilengkapi file yang dapat diunduh sebagai bentuk berbagi pengetahuan yang tulus

*penggunaan fungsi if count if dan lookup pdf* - Feb 26 2022

web penggunaan fungsi if count if dan lookup 1 penggunaan fungsi if count if dan lookup dalam melakukan perhitungan seringkali ditemukan adanya beberapa pilihan yang harus ditentukan sebagai c

**penggunaan fungsi if count if lookup pada excel** - Mar 10 2023

web jun 30 2012 dalam kesempatan ini kita akan membahas tentang penggunaan fungsi if count if dan lookup dalam melakukan perhitungan seringkali ditemukan adanya beberapa pilihan yang harus ditentukan sebagai contoh dari nilai mahasiswa akan ditentukan apakah mahasiswa tersebut lulus atau tidak dan jika lulus apakah predikat

**penggunaan fungsi if count if dan lookup ftp popcake** - Jun 01 2022

web penggunaan fungsi if count if dan lookup 3 3 komputindo skill mengolah data dengan microsoft excel merupakan salah satu skill dengan permintaan tinggi dalam dunia kerja berbeda dengan buku lainnya buku ini lebih banyak menggunakan kombinasi fungsi excel terapan dan penggunaan formula dalam fitur microsoft excel seperti conditional

**penggunaan fungsi if count if dan lookup 1** - Dec 27 2021

web sedangkan untuk mendapatkan jumlah yang tidak lulus lakukan penambahan fungsi countif pada c10 sebagai berikut melalui function wizard gambar other penggunaan fungsi if count if dan lookup 1 10

**penggunaan fungsi if count if dan lookup pdf ftp popcake** - Aug 03 2022

web penggunaan fungsi if count if dan lookup downloaded from ftp popcake com by guest dennis acevedo 139 trik cerdas excel dan rumus fungsi penerbit nem merupakan revisi penyempurnaan buku yang berjudul 116 strategi menguasai excel 2007 2010 2013 di dalamnya ditambah 22 tips materi sebagai

**penggunaan fungsi if count if dan lookup** - Mar 30 2022

web penggunaan fungsi if count if dan lookup syarif mufdholi dalam melakukan perhitungan seringkali ditemukan adanya beberapa pilihan yang harus ditentukan sebagai contoh dari nilai mahasiswa akan ditentukan apakah mahasiswa tersebut lulus atau tidak dan jika lulus apakah predikat dari nilainya tersebut

**penggunaan fungsi if count if dan lookup pdf ftp popcake** - Jul 02 2022

web 4 penggunaan fungsi if count if dan lookup 2020 05 04 optimal hal ini dapat dimaklumi karena belum ada buku yang

secara khusus membahas penggunaan form controls untuk menyelesaikan berbagai kasus bisnis dan perkantoran yang sering ditemui padahal penggunaan form controls relatif mudah karena hampir seluruh kontrol tidak

**if vlookup fungsi contoh dan cara menggunakannya di excel** - Jan 08 2023

web jika hasil tesnya sama dengan atau lebih dari 80 maka kita akan menandainya dengan lulus jika kurang dari 80 maka kita akan menandainya dengan tidak lulus kita gunakan vlookup untuk menemukan nilai tesnya di dalam if sebelum kemudian membandingkan hasil vlookupnya dengan 80

**penggunaan fungsi if count if dan lookup edms ncdmb gov ng** - Apr 30 2022

web menggunakan fungsi countif dan fungsi countifs pada menggabungkan fungsi if dan vlookup di excel menggabungkan fungsi if dan vlookup di excel rumus may 3rd 2018 cara menggabungkan fungsi vlookup dan fungsi if untuk mengambil data

**penggunaan fungsi if count if dan lookup** - Aug 15 2023

web penggunaan fungsi if count if dan lookup dalam melakukan perhitungan seringkali ditemukan adanya beberapa pilihan yang harus ditentukan sebagai contoh dari nilai mahasiswa akan ditentukan apakah mahasiswa tersebut lulus atau tidak dan jika lulus apakah predikat dari nilainya tersebut

*fungsi dan cara menggunakan if countif di excel compute* - Jul 14 2023

web pahami fungsi dan cara menggunakan kombinasi rumus if countif di excel di sini terdapat beberapa manfaat yang bisa didapatkan menggunakan fungsi if countif

penggunaan fungsi if count if dan lookup - Jan 28 2022

web dalam menangani hal ini telah disediakan fungsi untuk percabangan yaitu dengan menggunakan fungsi if sebagai contoh dalam menampilkan status kelulusan mahasiswa dengan melihat nilai ujian yang sudah dijalaninya sebagai berikut

*penggunaan fungsi if count if dan lookup download only* - Nov 06 2022

web penggunaan fungsi if count if dan lookup getting the books penggunaan fungsi if count if dan lookup now is not type of inspiring means you could not unaccompanied going taking into consideration ebook gathering or library or borrowing from your contacts to open them this is an totally simple means to specifically acquire guide by on line

*penggunaan fungsi if count if dan lookup 1 123dok* - Dec 07 2022

web 7 1 pe ngguna a n fungsi i f unt uk dapat m enyelesaikannya dibut uhkan fungsi logika yait u fungsi i f unt uk lebih j elasnya berikut beberapa paparan t ent ang penggunaan fungsi i f fungsi i f dengan form at lengkap adalah sebagai berikut i f logica l t e st va lue if t r ue va lu e if fa lse dim ana

*penggunaan fungsi if count if dan lookup documentde* - Apr 11 2023

web penggunaan fungsi if count if dan lookup dalam melakukan perhitungan seringkali ditemukan adanya beberapa pilihan yang harus ditentukan sebagai contoh dari nilai mahasiswa akan ditentukan apakah mahasiswa tersebut lulus atau tidak dan

jika lulus apakah predikat dari nilainya tersebut

**pengunaan fungsi if count if dan lookup oleh husnaini** - May 12 2023

web jun 12 2011 penggunaan fungsi if count if dan lookup oleh husnaini dalam melakukan perhitungan seringkali ditemukan adanya beberapa pilihan yang harus ditentukan sebagai contoh dari nilai mahasiswa akan ditentukan apakah mahasiswa tersebut lulus atau tidak dan jika lulus apakah predikat dari nilainya tersebut dalam

**pengunaan fungsi if count if dan lookup pdf** - Sep 04 2022

web 4 penggunaan fungsi if count if dan lookup 2023 03 14 dalam formula excel dengan pendekatan logika materi pembahasan dilengkapi file yang dapat di download secara gratis agar proses belajar menjadi lebih efektif dan efisien buku ini ditujukan bagi semua kalangan yang ingin mempelajari

**pengunaan fungsi if count if dan lookup pdf scribd** - Jun 13 2023

web penggunaan fungsi if count if dan lookup dalam melakukan perhitungan seringkali ditemukan adanya beberapa pilihan yang harus ditentukan sebagai contoh dari nilai mahasiswa akan ditentukan apakah mahasiswa tersebut lulus atau tidak dan jika lulus apakah predikat dari nilainya tersebut

*pengunaan fungsi if count if dan lookup 123dok com* - Feb 09 2023

web 1 penggunaan fungsi if count if dan lookup dalam melakukan perhitungan seringkali ditemukan adanya beberapa pilihan yang harus ditentukan sebagai contoh dari nilai mahasiswa akan ditentukan apakah mahasiswa tersebut lulus atau tidak dan jika lulus apakah predikat dari nilainya tersebut

*the arabian nights complete and unabridged unexpu pdf* - Apr 10 2023

web pages of the arabian nights complete and unabridged unexpu a mesmerizing literary creation penned with a celebrated wordsmith readers embark on an enlightening

**the arabian nights complete and unabridged unexpu** - Apr 29 2022

web the arabian nights complete and unabridged unexpu is available in our digital library an online access to it is set as public so you can download it instantly our books

*the arabian nights complete and unabridged unexpu pdf* - Feb 25 2022

web jun 20 2023 this the arabian nights complete and unabridged unexpu as one of the most practicing sellers here will extremely be in the course of the best options to review

[the arabian nights complete and unabridged unexpurgated](#) - Mar 29 2022

web jun 10 2023 thousand and one nights the arabian nights plete and unabridged unexpurgated pdf the arabian nights download pdf free ebook the arabian nights

*watch arabian nights prime video amazon com* - Oct 24 2021

web mar 30 2010 this halcyon classics ebook of the night of a thousand nights and a night commonly referred to as the arabian nights is the complete

*the arabian nights complete and unabridged unexpu full pdf* - May 11 2023

web 4 the arabian nights complete and unabridged unexpu 2021 09 05 bringing the nights out of victorian antiquarianism and into the twenty first century for centuries readers

**the arabian nights complete and unabridged unexpurgated** - Sep 22 2021

**the arabian nights complete and unabridged unexpu full pdf** - Oct 04 2022

web the arabian nights complete and unabridged unexpu the arabian nights complete and unabridged unexpu 2 downloaded from klantenhandboek dutchgiraffe com on

*the arabian nights complete and unabridged unexpu pdf* - Jan 27 2022

web may 22 2023 the arabian nights complete and unabridged unexpu 1 1 downloaded from uniport edu ng on may 22 2023 by guest the arabian nights complete and

*the arabian nights complete and unabridged unexpu 2022* - Jul 01 2022

web we offer the arabian nights complete and unabridged unexpu and numerous book collections from fictions to scientific research in any way in the course of them is this

the arabian nights complete and unabridged unexpu - Aug 02 2022

web feb 25 2023 the arabian nights complete and unabridged unexpu and numerous books collections from fictions to scientific research in any way in the middle of them is

**the arabian nights complete and unabridged unexpu pdf** - Nov 05 2022

web the arabian nights complete and unabridged unexpu 2022 web a celebrated english language translation of one thousand and one nights the arabian nights a collection of

the arabian nights complete and unabridged unexpurgated - Aug 14 2023

web mar 30 2010 the arabian nights is a collection of middle eastern and south asian stories and folk tales compiled in arabic during the islamic golden age some of the

**the arabian nights complete and unabridged unexpu pdf** - Sep 03 2022

web 2 the arabian nights complete and unabridged unexpu 2023 06 17 complete collection of middle eastern folk tales compiled in arabic during the islamic golden age

*the arabian nights complete and unabridged unexpu pdf* - Jul 13 2023

web the arabian nights complete and unabridged unexpu 1 1 downloaded from uniport edu ng on september 15 2023 by

quest the arabian nights complete and  
[the arabian nights complete and unabridged unexpu](#) - Mar 09 2023

web the arabian nights in transnational perspective the book of the thousand nights and a night vol 1 the arabian nights in contemporary world cultures tales from the

**the arabian nights complete and unabridged unexpurgated** - Jan 07 2023

web unabridged unexpurgated one thousand and one nights plete arabian nights the arabian nights the book of the thousand nights and a customer reviews the arabian

**arabian nights 2015 film wikipedia** - Nov 24 2021

web apr 29 2000 arabian nights season 1 scheherazade buys time and her life by telling stories to her new husband who intends to have her killed if and when she lets her guard

**the arabian nights complete and unabridged unexpurgated** - Dec 06 2022

web nights summary themes amp facts the plete arabian nights 1001 nights including all the the arabian nights plete and unabridged by anonymous plete arabian nights by

**the arabian nights complete and unabridged unexpu pdf** - May 31 2022

web mar 5 2023 the arabian nights complete and unabridged unexpu pdf this is likewise one of the factors by obtaining the soft documents of this the arabian nights complete

**the arabian nights complete and unabridged unexpu pdf pdf** - Dec 26 2021

web title the arabian nights complete and unabridged unexpu pdf pdf old thecarguy com au created date 9 7 2023 5 55 25 am

**the arabian nights complete and unabridged unexpurgated** - Jun 12 2023

web jun 9 2023 this halcyon classics ebook of the night of a thousand nights and a night commonly referred to as the arabian nights is the complete

*amazon com customer reviews the arabian nights complete* - Feb 08 2023

web find helpful customer reviews and review ratings for the arabian nights complete and unabridged unexpurgated edition halcyon classics at amazon com read honest

[upper intermediate student s book life 2e answer key](#) - Apr 16 2023

evgeniya lukyanenko copyright all rights reserved available formats download as pdf txt or read online from scribd flag for inappropriate content download now of 70 life 2e upper intermediate student s book answer key a dog labrador they are often used by unit 1 farmers hunters and also as guide dogs for the

*grammar practice worksheets life 2e ngl sites* - Apr 04 2022

pre intermediate audio student s book audio workbook videos grammar practice worksheets word lists intermediate audio student s book audio workbook videos grammar practice worksheets word lists upper intermediate audio student s book audio workbook videos grammar practice worksheets word lists advanced audio

[ngl life](#) - Mar 15 2023

upper intermediate class observation using life upper intermediate what are teachers and students saying about life british study centres bournemouth on using life in the classroom life is dazzlingly appealing cengage has provided life with awe inspiring pictures by

[life upper intermediate workbook audio sciarium](#) - Dec 12 2022

jul 16 2019 upper intermediate workbook audio audio sciarium files higher education and science languages and linguistics english language content and language integrated learning clil life british 2nd edition life upper intermediate workbook audio rar file size 126 49 mb contains audio document s added by julia belka 07 16 2019 04 06

[pdf life upper intermediate tb monika wójcik academia edu](#) - Jun 06 2022

life upper intermediate tb monika wójcik see full pdf download pdf

**answer keys ngl life** - Sep 21 2023

here you can download all the answer keys for life these include workbook answer key student s book answer key grammar reference answer key click on a link below to download a folder containing all of the answer keys for your level of life

[download life upper intermediate student s book with answers](#) - Mar 03 2022

may 22 2020 upper intermediate student s book with answers and audioscripts doc pdf sciarium files higher education and science languages and linguistics english language content and language integrated learning clil life british 2nd edition life upper intermediate student s book with answers and audioscripts zip file size 29 15 mb

[upper intermediate ngl life](#) - May 17 2023

multi choice placement tests for life unit tests for life student zone grammar practice worksheets beginner elementary pre intermediate intermediate upper intermediate advanced interactive reading practice beginner elementary pre int intermediate upper int advanced monolingual and multilingual word lists life monolingual word

[life upper intermediate answer key answers for 2023 exams](#) - Aug 08 2022

upper intermediate student s book answer key unit 1 1 example answers a faithful companion a strong bond students may also argue that true friends and an odd couple are possible 2 1 husband 2 old friend 3 colleague 3 1 a blood is thicker than water family relationships and loyalties are the strongest and most important ones b a friend

[try it out upper intermediate life 2e ngl sites](#) - Jul 19 2023

download life 2e upper intermediate workbook unit 1 pdf 3 69 mb download life 2e upper intermediate unit 1 student s book

pdf 20 1 mb download life 2e upper intermediate unit 1 teacher s book pdf 862 5 kb video unit 1 video 1 1 vocabulary in context video 1 2 audio student s book workbook

*life upper intermediate workbook with answers sciarium* - Feb 14 2023

jun 10 2021 upper intermediate workbook with answers pdf sciarium files higher education and science languages and linguistics english language content and language integrated learning clil life british 2nd edition life upper intermediate workbook with answers zip file size 22 25 mb contains pdf document s added by kurt 06 10 2021 06 29

**student s book answer keys ngl life** - Jun 18 2023

life student s book answer key intermediate life student s book answer key upper intermediate life student s book answer key advanced the life student s book answer keys are available for life teachers to download from a secure site for instructor resources

*life vision upper intermediate student book with online practice* - Feb 02 2022

isbn 978 0 19 408099 6 with the student book with online practice learners use the student book to participate in class and access online practice to continue learning outside of class ideal for students who need to use print books in the classroom

life upper intermediate workbook 2nd edition englishtips - May 05 2022

mar 13 2022 life upper intermediate workbook 2nd edition now in a new edition national geographic learning brings the world to your classroom with life a six level integrated skills series with grammar and vocabulary for young adult and adult english language learners through stunning national geographic content video and engaging topics life

**life vision upper intermediate teenagers oxford university press** - Sep 09 2022

life vision upper intermediate your success now and in the future life vision helps students gain the language and skills they need to work out where they want to go next and how exam success will help them take advantage of the global opportunities that proficiency in english brings part of life vision language level a1 c1

**upper intermediate solutions oxford university press** - Oct 10 2022

1 day ago solutions upper intermediate 2nd edition grammar speaking english workbook audio 65mb zip

*life upper intermediate complete pdf free download* - Jul 07 2022

life upper intermediate complete box the speakers use it sl fm liii ij meeting people you know 1e n ews from home writing an informal email oh by the way one more thing the necessity train arrives in half an hour for further information and practice see page 159 1 5 with their uses a i

**upper intermediate sb answer key upper intermediate student** - Aug 20 2023

1 example answers1 positive considerate dependable energetic good fun outgoingnegative selfish unreliableeither positive or negative laid back serious shy2 near opposites considerate selfish dependable unreliable energetic laid back outgoing shy

good fun serious3 students own answers 2

*sample units full editions ngl life* - Jan 13 2023

multi choice placement tests for life unit tests for life student zone grammar practice worksheets beginner elementary pre

intermediate intermediate upper intermediate advanced interactive reading practice beginner elementary pre int

intermediate upper int advanced monolingual and multilingual word lists life monolingual word

*pdf life b2 upper intermediate workbook academia edu* - Nov 11 2022

life b2 upper intermediate workbook ngô Đức giang is intimate friendship a relationship that is dying out in modern society in our busy lives we have many acquaintances and friends the people we work with our neighbours the people we chat to at the local shop and so on but how many really close friendships can we count