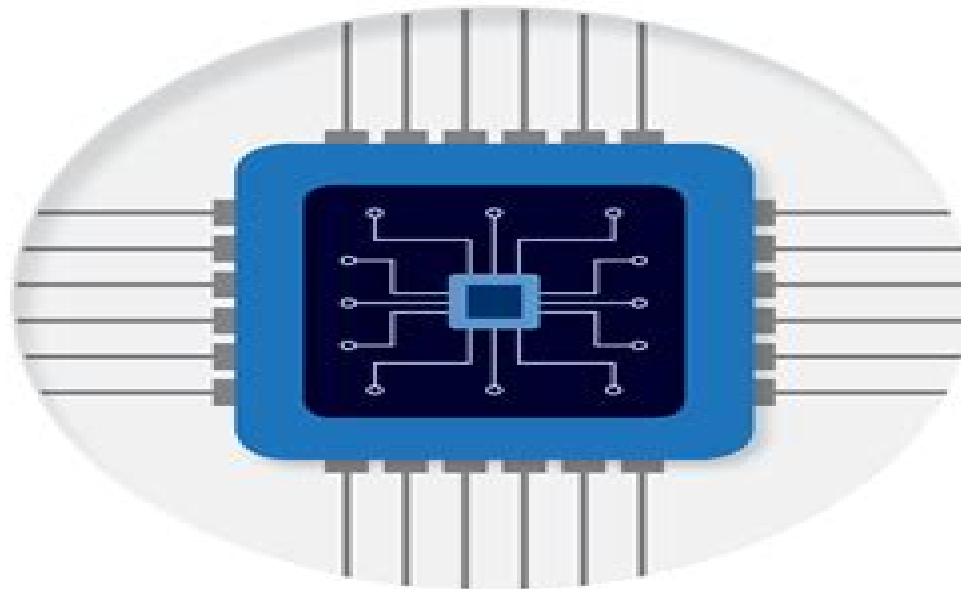


# SEDRA/SMITH

## Microelectronic Circuits

EIGHTH EDITION

ADEL S. SEDRA | KENNETH C. SMITH | TONY CHAN CARUSONE | VINCENT GAUDET



# Microelectronic Circuits 5th Edition Scribd

**O García**



**Microelectronic Circuits 5th Edition Scribd:**

This is likewise one of the factors by obtaining the soft documents of this **Microelectronic Circuits 5th Edition Scribd** by online. You might not require more grow old to spend to go to the book introduction as without difficulty as search for them. In some cases, you likewise realize not discover the proclamation Microelectronic Circuits 5th Edition Scribd that you are looking for. It will unquestionably squander the time.

However below, subsequent to you visit this web page, it will be therefore categorically easy to acquire as competently as download lead Microelectronic Circuits 5th Edition Scribd

It will not resign yourself to many get older as we notify before. You can reach it even though doing something else at house and even in your workplace. hence easy! So, are you question? Just exercise just what we have the funds for below as with ease as review **Microelectronic Circuits 5th Edition Scribd** what you subsequently to read!

[https://py.bijouxmedusa.com/About/detail/fetch.php/German\\_Grammar\\_Exercises\\_With\\_Answers.pdf](https://py.bijouxmedusa.com/About/detail/fetch.php/German_Grammar_Exercises_With_Answers.pdf)

## **Table of Contents Microelectronic Circuits 5th Edition Scribd**

1. Understanding the eBook Microelectronic Circuits 5th Edition Scribd
  - The Rise of Digital Reading Microelectronic Circuits 5th Edition Scribd
  - Advantages of eBooks Over Traditional Books
2. Identifying Microelectronic Circuits 5th Edition Scribd
  - Exploring Different Genres
  - Considering Fiction vs. Non-Fiction
  - Determining Your Reading Goals
3. Choosing the Right eBook Platform
  - Popular eBook Platforms
  - Features to Look for in an Microelectronic Circuits 5th Edition Scribd
  - User-Friendly Interface
4. Exploring eBook Recommendations from Microelectronic Circuits 5th Edition Scribd

- Personalized Recommendations
  - Microelectronic Circuits 5th Edition Scribd User Reviews and Ratings
  - Microelectronic Circuits 5th Edition Scribd and Bestseller Lists
5. Accessing Microelectronic Circuits 5th Edition Scribd Free and Paid eBooks
    - Microelectronic Circuits 5th Edition Scribd Public Domain eBooks
    - Microelectronic Circuits 5th Edition Scribd eBook Subscription Services
    - Microelectronic Circuits 5th Edition Scribd Budget-Friendly Options
  6. Navigating Microelectronic Circuits 5th Edition Scribd eBook Formats
    - ePub, PDF, MOBI, and More
    - Microelectronic Circuits 5th Edition Scribd Compatibility with Devices
    - Microelectronic Circuits 5th Edition Scribd Enhanced eBook Features
  7. Enhancing Your Reading Experience
    - Adjustable Fonts and Text Sizes of Microelectronic Circuits 5th Edition Scribd
    - Highlighting and Note-Taking Microelectronic Circuits 5th Edition Scribd
    - Interactive Elements Microelectronic Circuits 5th Edition Scribd
  8. Staying Engaged with Microelectronic Circuits 5th Edition Scribd
    - Joining Online Reading Communities
    - Participating in Virtual Book Clubs
    - Following Authors and Publishers Microelectronic Circuits 5th Edition Scribd
  9. Balancing eBooks and Physical Books Microelectronic Circuits 5th Edition Scribd
    - Benefits of a Digital Library
    - Creating a Diverse Reading Collection Microelectronic Circuits 5th Edition Scribd
  10. Overcoming Reading Challenges
    - Dealing with Digital Eye Strain
    - Minimizing Distractions
    - Managing Screen Time
  11. Cultivating a Reading Routine Microelectronic Circuits 5th Edition Scribd
    - Setting Reading Goals Microelectronic Circuits 5th Edition Scribd
    - Carving Out Dedicated Reading Time
  12. Sourcing Reliable Information of Microelectronic Circuits 5th Edition Scribd

- Fact-Checking eBook Content of Microelectronic Circuits 5th Edition Scribd
  - Distinguishing Credible Sources
13. Promoting Lifelong Learning
- Utilizing eBooks for Skill Development
  - Exploring Educational eBooks
14. Embracing eBook Trends
- Integration of Multimedia Elements
  - Interactive and Gamified eBooks

### **Microelectronic Circuits 5th Edition Scribd Introduction**

Free PDF Books and Manuals for Download: Unlocking Knowledge at Your Fingertips In today's fast-paced digital age, obtaining valuable knowledge has become easier than ever. Thanks to the internet, a vast array of books and manuals are now available for free download in PDF format. Whether you are a student, professional, or simply an avid reader, this treasure trove of downloadable resources offers a wealth of information, conveniently accessible anytime, anywhere. The advent of online libraries and platforms dedicated to sharing knowledge has revolutionized the way we consume information. No longer confined to physical libraries or bookstores, readers can now access an extensive collection of digital books and manuals with just a few clicks. These resources, available in PDF, Microsoft Word, and PowerPoint formats, cater to a wide range of interests, including literature, technology, science, history, and much more. One notable platform where you can explore and download free Microelectronic Circuits 5th Edition Scribd PDF books and manuals is the internet's largest free library. Hosted online, this catalog compiles a vast assortment of documents, making it a veritable goldmine of knowledge. With its easy-to-use website interface and customizable PDF generator, this platform offers a user-friendly experience, allowing individuals to effortlessly navigate and access the information they seek. The availability of free PDF books and manuals on this platform demonstrates its commitment to democratizing education and empowering individuals with the tools needed to succeed in their chosen fields. It allows anyone, regardless of their background or financial limitations, to expand their horizons and gain insights from experts in various disciplines. One of the most significant advantages of downloading PDF books and manuals lies in their portability. Unlike physical copies, digital books can be stored and carried on a single device, such as a tablet or smartphone, saving valuable space and weight. This convenience makes it possible for readers to have their entire library at their fingertips, whether they are commuting, traveling, or simply enjoying a lazy afternoon at home. Additionally, digital files are easily searchable, enabling readers to locate specific information within seconds. With a few keystrokes, users can search for keywords, topics, or phrases, making research and finding relevant

information a breeze. This efficiency saves time and effort, streamlining the learning process and allowing individuals to focus on extracting the information they need. Furthermore, the availability of free PDF books and manuals fosters a culture of continuous learning. By removing financial barriers, more people can access educational resources and pursue lifelong learning, contributing to personal growth and professional development. This democratization of knowledge promotes intellectual curiosity and empowers individuals to become lifelong learners, promoting progress and innovation in various fields. It is worth noting that while accessing free Microelectronic Circuits 5th Edition Scribd PDF books and manuals is convenient and cost-effective, it is vital to respect copyright laws and intellectual property rights. Platforms offering free downloads often operate within legal boundaries, ensuring that the materials they provide are either in the public domain or authorized for distribution. By adhering to copyright laws, users can enjoy the benefits of free access to knowledge while supporting the authors and publishers who make these resources available. In conclusion, the availability of Microelectronic Circuits 5th Edition Scribd free PDF books and manuals for download has revolutionized the way we access and consume knowledge. With just a few clicks, individuals can explore a vast collection of resources across different disciplines, all free of charge. This accessibility empowers individuals to become lifelong learners, contributing to personal growth, professional development, and the advancement of society as a whole. So why not unlock a world of knowledge today? Start exploring the vast sea of free PDF books and manuals waiting to be discovered right at your fingertips.

## **FAQs About Microelectronic Circuits 5th Edition Scribd Books**

1. Where can I buy Microelectronic Circuits 5th Edition Scribd books? Bookstores: Physical bookstores like Barnes & Noble, Waterstones, and independent local stores. Online Retailers: Amazon, Book Depository, and various online bookstores offer a wide range of books in physical and digital formats.
2. What are the different book formats available? Hardcover: Sturdy and durable, usually more expensive. Paperback: Cheaper, lighter, and more portable than hardcovers. E-books: Digital books available for e-readers like Kindle or software like Apple Books, Kindle, and Google Play Books.
3. How do I choose a Microelectronic Circuits 5th Edition Scribd book to read? Genres: Consider the genre you enjoy (fiction, non-fiction, mystery, sci-fi, etc.). Recommendations: Ask friends, join book clubs, or explore online reviews and recommendations. Author: If you like a particular author, you might enjoy more of their work.
4. How do I take care of Microelectronic Circuits 5th Edition Scribd books? Storage: Keep them away from direct sunlight and in a dry environment. Handling: Avoid folding pages, use bookmarks, and handle them with clean hands. Cleaning:

- Gently dust the covers and pages occasionally.
5. Can I borrow books without buying them? Public Libraries: Local libraries offer a wide range of books for borrowing. Book Swaps: Community book exchanges or online platforms where people exchange books.
  6. How can I track my reading progress or manage my book collection? Book Tracking Apps: Goodreads, LibraryThing, and Book Catalogue are popular apps for tracking your reading progress and managing book collections. Spreadsheets: You can create your own spreadsheet to track books read, ratings, and other details.
  7. What are Microelectronic Circuits 5th Edition Scribd audiobooks, and where can I find them? Audiobooks: Audio recordings of books, perfect for listening while commuting or multitasking. Platforms: Audible, LibriVox, and Google Play Books offer a wide selection of audiobooks.
  8. How do I support authors or the book industry? Buy Books: Purchase books from authors or independent bookstores. Reviews: Leave reviews on platforms like Goodreads or Amazon. Promotion: Share your favorite books on social media or recommend them to friends.
  9. Are there book clubs or reading communities I can join? Local Clubs: Check for local book clubs in libraries or community centers. Online Communities: Platforms like Goodreads have virtual book clubs and discussion groups.
  10. Can I read Microelectronic Circuits 5th Edition Scribd books for free? Public Domain Books: Many classic books are available for free as they're in the public domain. Free E-books: Some websites offer free e-books legally, like Project Gutenberg or Open Library.

### Find Microelectronic Circuits 5th Edition Scribd :

*german grammar exercises with answers*

**govt 2305 course exam answers**

**guide to midi orchestration 3rd edition**

~~geographic thought a critical introduction~~

**ghost boy**

~~guidelines for open pit slope design~~

*grade 9 geography textbook nelson pdf download*

golf gl 1996

~~getting started with memcached soliman ahmed~~

~~give me liberty an american history seagull fourth edition vol 2~~

**glass fibers glass strand**  
**greenhouse farming manual in kenya**  
**geometry chapter 8 resource book answers**  
**global business today 8th edition by charles w l hill pdf**  
**great apple marathi**

### **Microelectronic Circuits 5th Edition Scribd :**

[curiosita ferroviarie originalita delle ferrovie](#) - Apr 12 2023

web curiosita ferroviarie originalita delle ferrovie nuova antologia di scienze lettere ed arti the italian railways 1839 2019 maratea parliamone ancora storie cronache curiosità e personaggi della maratea del 900 e dintorni epoca stati uniti occidentali la rassegna nazionale la domenica del corriere supplemento illustrato del corriere

**curiosità ferroviarie mondo ferroviario viaggi** - Feb 10 2023

web originalità delle ferrovie in italia in europa e nel mondo sappiamo bene come le innovazioni tecnologiche dei treni e il loro impatto sociale abbiano profondamente contribuito a creare il mondo in cui ci muoviamo oggi stimolando le comunicazioni e lo sviluppo in modo trasversale in tutti i paesi del mondo

[curiosità ferroviarie originalità delle ferrovie in italia in europa](#) - Jun 14 2023

web acquista online il libro curiosità ferroviarie originalità delle ferrovie in italia in europa e nel mondo ediz illustrata di mauro minola in offerta a prezzi imbattibili su mondadori store

[curiosità ferroviarie originalità delle ferrovie in italia in europa](#) - May 13 2023

web curiosità ferroviarie originalità delle ferrovie in italia in europa e nel mondo ediz illustrata è un libro di minola mauro pubblicato da susalibri nella collana piemonte live con argomento treni ferrovie storia isbn 9788897933380

[curiosità ferroviarie originalità delle ferrovie in italia in europa](#) - Aug 16 2023

web curiosità ferroviarie originalità delle ferrovie in italia in europa e nel mondo ediz illustrata è un libro di mauro minola pubblicato da susalibri nella collana piemonte live acquista su ibs a 9 90

**curiosit ferroviarie originalit ferrovie italia europa mondo** - Oct 06 2022

web trova il miglior prezzo per curiosità ferroviarie originalità delle ferrovie in italia in europa e nel mondo ediz illustrata controlla le recensioni e la scheda tecnica del prodotto per essere sicuro di acquistare il prodotto che stai al prezzo più basso sul web descrizione curiosità ferroviarie

**curiosita ferroviarie originalita delle ferrovie copy ftp bonide** - Sep 05 2022

web curiosita ferroviarie originalita delle ferrovie the italian railways 1839 2019 storia dell industria elettrica in italia dal

dopoguerra alla nazionalizzazione 1945 1962 neues italienisch deutsches und deutsch italienisches wörterbuch bd deutsch italienisch

**curiosita ferroviarie originalita delle ferrovie uniport edu** - Feb 27 2022

web jul 22 2023 curiosita ferroviarie originalita delle ferrovie 1 7 downloaded from uniport edu ng on july 22 2023 by guest curiosita ferroviarie originalita delle ferrovie right here we have countless ebook curiosita ferroviarie originalita delle ferrovie and collections to check out

**curiosita ferroviarie originalita delle ferrovie pdf japanalert** - Aug 04 2022

web storia dell industria elettrica in italia dal dopoguerra alla nazionalizzazione 1945 1962 curiosità ferroviarie originalità delle ferrovie in italia in europa e nel mondo

**5 curiosità su treni e stazioni ac group** - Jan 29 2022

web 5 curiosità su treni e stazioni rosa di micco trend commenta per primo 1 quando i treni arrivano sempre in orario i treni giapponesi sono noti per la loro puntualità meno noto è che cosa succede se fanno ritardo ebbene in giappone se un treno fa anche solo 5 minuti di ritardo i passeggeri ottengono delle scuse e un certificato che

**curiosita ferroviarie originalita delle ferrovie** - Dec 28 2021

web curiosita ferroviarie originalita delle ferrovie downloaded from ftp bonide com by guest jamal amaris il parlamento subalpino e nazionale profili e cenni biografici di tutti di deputati e senatori eletti e creati dal 1848 al 1890 legislature xvi harper collins giovanni klaus koenig 1924 1989 è stato architetto designer di mezzi di

**curiosità ferroviarie originalità delle ferrovie in italia in europa** - Jul 15 2023

web compra curiosità ferroviarie originalità delle ferrovie in italia in europa e nel mondo ediz illustrata spedizione gratuita su ordini idonei

**curiosità ferroviarie originalità delle ferrovie in italia in europa** - Mar 11 2023

web curiosità ferroviarie originalità delle ferrovie in italia in europa e nel mondo minola mauro amazon com tr

**curiosità ferroviarie originalità delle ferrovie in italia in europa** - Jul 03 2022

web in italia curiosità ferroviarie susalibri curiosità ferroviarie originalità delle ferrovie in curiosità ferroviarie originalità delle ferrovie in ferrovie info albania dove il tempo si è fermato e le atlante delle tramvie e ferrovie minori italiane curiosità ferroviarie originalità delle ferrovie in le

**guida alla scoperta dei più bei musei ferroviari d italia siviaggia** - May 01 2022

web sep 21 2019 dal museo ferroviario di trieste campo marzio al museo ferroviario sardo scopri tutti i più bei musei ferroviari d italia un must per gli appassionati di treni

**i 10 migliori libri sul trasporto ferroviario notizie scientifiche it** - Mar 31 2022

web nov 9 2022 titolo curiosità ferroviarie sottotitolo originalità delle ferrovie in italia in europa e nel mondo isbn 10 8897933380 isbn 13 9788897933380 autore mauro minola editore susalibri edizione illustrata 1 gennaio 2016 pagine 160 formato copertina flessibile recensioni vedi

*curiosità ferroviarie originalità delle ferrovie in italia in europa* - Jan 09 2023

web curiosità ferroviarie titolo curiosità ferroviarie chi ha amato la ferrovia in qualche tempo anche lontano della sua vita non mancherà di apprezzarne il contenuto e di rivivere il fascino del lungo convoglio che attraversa città e

*curiosita ferroviarie originalita delle ferrovie* - Nov 07 2022

web curiosità ferroviarie originalità delle ferrovie in italia in europa e nel mondo ediz illustrata rivista europea destination russia a ship and a cat in the tundra and other extra ordinary encounters the italian railways 1839 2019 curiosita ferroviarie originalita delle ferrovie downloaded from ftp bonide com by guest london hezekiah

**storia delle ferrovie in italia wikipedia** - Jun 02 2022

web storia dello scartamento ridotto in italia ferrovie in concessione commissione nicoli grismayer statalizzazione delle ferrovie italiane cronologia delle elettrificazioni a corrente continua a 3000 volt della rete delle ferrovie dello stato italiane infrastrutture linee per regione

**curiosità ferroviarie susalibri** - Dec 08 2022

web originalità delle ferrovie in italia in europa e nel mondo questo libro è dedicato ai treni e alla ferrovia però si propone un altro scopo in tempi di così rapidi cambiamenti tecnologici vuole fissare e trasmettere al lettore alcune notizie sull argomento di

[blackadder the complete collected series penguin books uk](#) - Jun 04 2023

web blackadder the complete collected series audio download shop now summary the complete soundtracks of all four blackadder series plus over 3 hours of specials and extras

*blackadder the complete collected series amazon ca* - Jan 31 2023

web the complete soundtracks of all four blackadder series plus over three hours of specials and extras through the ages of britain from the 15th century to the 21st edmund blackadder has meddled his way along the bloodlines aided by his servant and sidekick baldrick and hindered by an assortment of dimwitted aristocrats

[blackadder the complete collected series kobo com](#) - Dec 30 2022

web listen to blackadder the complete collected series by ben elton available from rakuten kobo narrated by full cast start a free 30 day trial today and get your first audiobook free the complete soundtracks of all four blackadder series plus over 3 hours of specials and extras through the ages

[blackadder the complete collected series google play](#) - Aug 06 2023

web blackadder the complete collected series by ben elton richard curtis audiobooks on google play blackadder the complete collected series ben elton richard curtis jul 2012 bbc digital

**blackadder the complete collection blu ray** - Jun 23 2022

web blackadder the complete collection blu ray 153 21 5 40th anniversary edition bbc 1982 1989 seasons 1 4 719 min rated bbfc 15 dec 04 2023 2 months large front add to

**blackadder the complete collection blu ray** - May 03 2023

web nov 4 2023 bbc studios will release on blu ray blackadder the complete collection 1982 1989 the seven disc box set is scheduled to arrive on the market on december 4 friends the complete series 57

*blackadder the complete collected series apple books* - Apr 02 2023

web jul 2 2012 the complete soundtracks of all four blackadder series plus over 3 hours of specials and extras through the ages of britain from the 15th century to the 21st edmund blackadder has meddled his way along the bloodlines aided by his servant and sidekick baldrick and hindered by

blackadder the complete collection blu ray box set hmv store - Mar 21 2022

web blackadder the complete collection 49 99 released 4th december 2023 blackadder the complete collection is a triumph of stupidity over common sense featuring every episode that baldrick could find apart from the pilot which he traded for a turnip all four series and specials have been cured by leeches and are presented in

blackadder the complete collected series 1 2 3 4 and specials - Nov 28 2022

web nov 5 2009 details select delivery location used very good details sold by paper cavalier uk add to basket have one to sell sell on amazon see this image blackadder the complete collected series 1 2 3 4 and specials audio cd audiobook 5 nov 2009 4 9 10 ratings see all formats and editions audio cd 117 99 1 used from 117 99

**blackadder the complete collected series audible ca** - Sep 26 2022

web blackadder the complete collected series as it s meant to be heard narrated by full cast rowan atkinson tony robinson stephen fry hugh laurie tim mcinnery rik mayall miranda richardson discover the english radio tv program at audible free trial available contact us english english français

**blackadder the complete collected series amazon com au** - Mar 01 2023

web the complete soundtracks of all four blackadder series plus over three hours of specials and extras through the ages of britain from the 15th century to the 21st edmund blackadder has meddled his way along the bloodlines aided by his servant and sidekick baldrick and hindered by an assortment of dimwitted aristocrats

**blackadder the complete collected series audiobooks com** - Feb 17 2022

web jul 2 2012 the complete soundtracks of all four blackadder series plus over 3 hours of specials and extras br br through

the ages of britain from the 15th century to the 21st edmund blackadder has meddled his way along the bloodlines aided by his servant and sidekick baldrick and hindered by an assortment of dimwitted aristocrats now the

*blackadder the complete collected series amazon com* - Sep 07 2023

web the complete soundtracks of all four blackadder series plus over three hours of specials and extras through the ages of britain from the 15th century to the 21st edmund blackadder has meddled his way along the bloodlines aided by his servant and sidekick baldrick and hindered by an assortment of dimwitted aristocrats

**blackadder the complete collected series barnes noble** - Apr 21 2022

web the complete soundtracks of all four blackadder tv series plus over 3 hours of specials and extras including previously unreleased material it includes the black adder blackadder ii blackadder the third and blackadder goes forth plus blackadder the cavalier years blackadder woman s hour invasion blackadder s christmas carol

*blackadder the complete collected series audio cd* - Jul 25 2022

web nov 13 2014 blackadder the complete collected series audio cd unabridged 13 nov 2014 by richard curtis author ben elton author full cast reader 28 ratings see all formats and editions audiobook 0 00 free with your audible trial audio cd

**blackadder the complete collection dvd by rowan atkinson** - May 23 2022

web this series saw permanent changes of two of the protagonists blackadder was changed from a snivelling idiotic buffoon into a charming witty sarcastic individual with a lot more intelligence and sophistication than his counterpart his basic personality traits remained the same cruel selfish and sociopathic

**blackadder the complete collected series audible com** - Oct 08 2023

web blackadder the complete collected series by ben elton richard curtis narrated by full cast rowan atkinson tony robinson stephen fry hugh laurie tim mcinnery rik mayall miranda richardson length 15 hrs and 3 mins 4 6 103 ratings try for 0 00 prime member exclusive pick 2 free titles with trial

[blackadder the complete collected series amazon com](#) - Aug 26 2022

web nov 13 2014 the complete soundtracks of all four blackadder tv series plus more than 3 hours of specials and extras including previously unreleased material it includes the black adder blackadder ii blackadder the third and blackadder goes forth as well as blackadder the cavalier years blackadder woman s hour invasion

*blackadder the complete collected series audio british comedy guide* - Oct 28 2022

web blackadder the complete collected series the complete soundtracks of all four blackadder tv series plus over 3 hours of specials and extras including previously unreleased material it includes the black adder blackadder ii blackadder the third and blackadder goes forth

[blackadder the complete collected series audible uk](#) - Jul 05 2023

web blackadder the complete collected series by ben elton richard curtis narrated by full cast rowan atkinson tony robinson stephen fry hugh laurie tim mcinnery rik mayall miranda richardson length 15 hrs and 3 mins 4 8 604 ratings try for 0 00

[night study guide gradesaver](#) - Jan 07 2023

web questions answers quotes quick quizzes essays further study buy now night is a literary memoir by elie wiesel that was first published in 1960 it is a harrowing account

**night study guide key docx night study guide questions** - Oct 24 2021

web jun 21 2017 looking for a study guide to elie weisel s classic play included in this 10 page document are study guide questions for the poignant non fiction novel night

**night questions teaching resources ppt** - Jan 27 2022

web 10 key questions about night to be answered after the novel is finished these 10 questions should start some good conversation and most of them include mention of a

**night study guide questions chandler unified school district** - Feb 25 2022

web this 114 page night gardener novel study unit provides students with everything they need to complete a novel study on the night gardener by jonathan auxier this night

**night chapter 1 9 study guide questions and answers** - Jul 13 2023

web study with quizlet and memorize flashcards containing terms like 1 who is moishe the beadle 2 how old is elie when the story begins 3 what connection do moishe the

[elie wiesel night study guide teaching resources ppt](#) - Oct 04 2022

web the study guide questions are fact based questions students can find the answers to these questions right in the text these questions come in two form ats short answer

*night study guide questions key pdf auschwitz scribd* - Aug 02 2022

web teacher man this lesson contains a complete guided reading unit with 222 questions answer key included for night by elie wiesel read more for complete description

[night questions answers sparknotes](#) - Jun 12 2023

web section 1 questions answers why did elie wiesel write night after a decade of silence regarding his experiences during the holocaust wiesel wrote un di velt hot geshvign

[night study guide sparknotes](#) - Dec 06 2022

web included in this 10 page document are study guide questions for the poignant non fiction novel night these questions cover comprehension of character define events of the

[night study guide practice test questions final exam](#) - Mar 29 2022

web night study guide questions section 1 pp 1 20 1 describe moshe the beadle p 1 2 very poor jack of all trades invisible to the community versed in religious literature 2

**night chs 1 3 questions answer key studylib net** - May 11 2023

web 1 explain the statement our eyes were opened too late where was the train at that point they were leaving hungary and the train was being taken over by the gestapo

**night study guide worksheets teachers pay teachers tpt** - May 31 2022

web 1 what is the purpose of wiesel writing this memoir wiesel wrote night to bear witness to the horrors of the holocaust and ensure that the memories of the victims and survivors

**night study guide questions and answer key pinterest** - Sep 22 2021

*unlocking the secrets night study guide questions and* - Apr 29 2022

web night study guide final exam free practice test instructions choose your answer to the question and click continue to see how you did then click next question to answer

**night study guide answers studylib net** - Aug 14 2023

web night study guide answers 1 who was moshe the beadle moshe was the caretaker at the hasidic synagogue 2 what does wiesel tell the reader of moshe he was poor and

study guide night novel summary section 1 studyworld - Nov 24 2021

web doc preview night study guide questions key section 1 pages 1 20 1 describe moshe the beadle he worked at the hasidic synagogue he was able to make himself seem

**night study guide questions key autorecovered doc** - Dec 26 2021

web eliezer is a serious religious boy who studies talmud during the day and at night runs to the synagogue to weep over the destruction of the temple at jerusalem in a d 70 this

**night by elie wiesel study guide answers chapter 1** - Mar 09 2023

web the 36 questions from the contemporary classics study questions for night by elie wiesel learn with flashcards games and more for free

**study guide questions for night by elie weisel 2006** - Apr 10 2023

web study with quizlet and memorize flashcards containing terms like describe moshe the beadle why did eliezer pray and why did he cry when he prayed upon his return

*night study guide questions and answer key tpt* - Nov 05 2022

web this zip file contains study guides quizzes and a test for night there are 6 study guides and answer keys two quizzes and

one test with twenty short answers five matching

**results for night by elie wiesel guided questions tpt** - Jul 01 2022

web the lesson plan bundle contains the following character map and study guide for elie wiesel s night answer key to the character map study guide night jeopardy

*night a unit plan pc mac* - Sep 03 2022

web night study guide questions section 1 pp 1 20 1 describe moshe the beadle p 1 2 very poor jack of all trades invisible to the community versed in religious literature 2

night study questions flashcards quizlet - Feb 08 2023

web study guide for night night study guide contains a biography of elie wiesel literature essays quiz questions major themes characters and a full summary and analysis