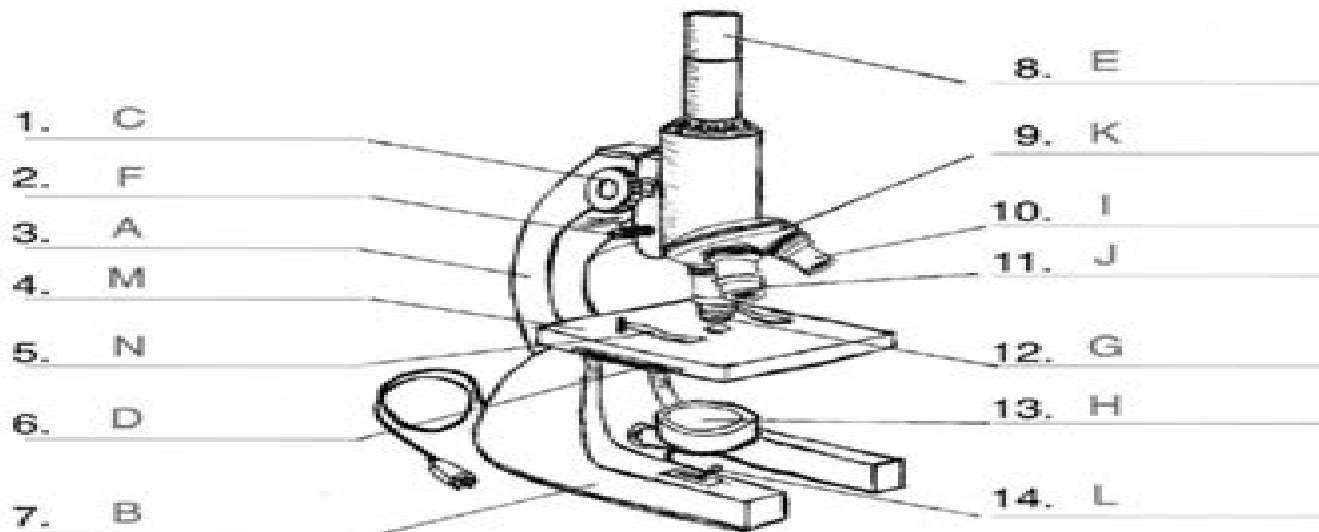


Name KEY
Period

Quiz: Using a Microscope

Label the parts of the microscope. Write the correct letter in each blank.

- | | |
|---------------------------------|--------------------------------|
| A. arm | H. lamp |
| B. base | I. low power objective lens |
| C. coarse adjustment knob | J. medium power objective lens |
| D. diaphragm (light adjustment) | K. nosepiece |
| E. eye piece | L. on/off switch |
| F. fine adjustment knob | M. stage |
| G. high power objective lens | N. stage clips |



Microscope Test Questions And Answers

AW Chickering



Microscope Test Questions And Answers:

Getting the books **Microscope Test Questions And Answers** now is not type of inspiring means. You could not and no-one else going next ebook accrual or library or borrowing from your links to right to use them. This is an totally simple means to specifically acquire lead by on-line. This online statement Microscope Test Questions And Answers can be one of the options to accompany you taking into consideration having further time.

It will not waste your time. agree to me, the e-book will very expose you further business to read. Just invest tiny epoch to contact this on-line declaration **Microscope Test Questions And Answers** as capably as review them wherever you are now.

https://py.bijouxmedusa.com/data/scholarship/Download_PDFS/%201265%20Real%20Estate%20Investing%20Review%20United%20States%2020%20491%20Real%20Estate.pdf

Table of Contents Microscope Test Questions And Answers

1. Understanding the eBook Microscope Test Questions And Answers
 - The Rise of Digital Reading Microscope Test Questions And Answers
 - Advantages of eBooks Over Traditional Books
2. Identifying Microscope Test Questions And Answers
 - Exploring Different Genres
 - Considering Fiction vs. Non-Fiction
 - Determining Your Reading Goals
3. Choosing the Right eBook Platform
 - Popular eBook Platforms
 - Features to Look for in an Microscope Test Questions And Answers
 - User-Friendly Interface
4. Exploring eBook Recommendations from Microscope Test Questions And Answers
 - Personalized Recommendations
 - Microscope Test Questions And Answers User Reviews and Ratings

- Microscope Test Questions And Answers and Bestseller Lists
- 5. Accessing Microscope Test Questions And Answers Free and Paid eBooks
 - Microscope Test Questions And Answers Public Domain eBooks
 - Microscope Test Questions And Answers eBook Subscription Services
 - Microscope Test Questions And Answers Budget-Friendly Options
- 6. Navigating Microscope Test Questions And Answers eBook Formats
 - ePub, PDF, MOBI, and More
 - Microscope Test Questions And Answers Compatibility with Devices
 - Microscope Test Questions And Answers Enhanced eBook Features
- 7. Enhancing Your Reading Experience
 - Adjustable Fonts and Text Sizes of Microscope Test Questions And Answers
 - Highlighting and Note-Taking Microscope Test Questions And Answers
 - Interactive Elements Microscope Test Questions And Answers
- 8. Staying Engaged with Microscope Test Questions And Answers
 - Joining Online Reading Communities
 - Participating in Virtual Book Clubs
 - Following Authors and Publishers Microscope Test Questions And Answers
- 9. Balancing eBooks and Physical Books Microscope Test Questions And Answers
 - Benefits of a Digital Library
 - Creating a Diverse Reading Collection Microscope Test Questions And Answers
- 10. Overcoming Reading Challenges
 - Dealing with Digital Eye Strain
 - Minimizing Distractions
 - Managing Screen Time
- 11. Cultivating a Reading Routine Microscope Test Questions And Answers
 - Setting Reading Goals Microscope Test Questions And Answers
 - Carving Out Dedicated Reading Time
- 12. Sourcing Reliable Information of Microscope Test Questions And Answers
 - Fact-Checking eBook Content of Microscope Test Questions And Answers
 - Distinguishing Credible Sources

13. Promoting Lifelong Learning
 - Utilizing eBooks for Skill Development
 - Exploring Educational eBooks
14. Embracing eBook Trends
 - Integration of Multimedia Elements
 - Interactive and Gamified eBooks

Microscope Test Questions And Answers Introduction

In today's digital age, the availability of Microscope Test Questions And Answers books and manuals for download has revolutionized the way we access information. Gone are the days of physically flipping through pages and carrying heavy textbooks or manuals. With just a few clicks, we can now access a wealth of knowledge from the comfort of our own homes or on the go. This article will explore the advantages of Microscope Test Questions And Answers books and manuals for download, along with some popular platforms that offer these resources. One of the significant advantages of Microscope Test Questions And Answers books and manuals for download is the cost-saving aspect. Traditional books and manuals can be costly, especially if you need to purchase several of them for educational or professional purposes. By accessing Microscope Test Questions And Answers versions, you eliminate the need to spend money on physical copies. This not only saves you money but also reduces the environmental impact associated with book production and transportation. Furthermore, Microscope Test Questions And Answers books and manuals for download are incredibly convenient. With just a computer or smartphone and an internet connection, you can access a vast library of resources on any subject imaginable. Whether you're a student looking for textbooks, a professional seeking industry-specific manuals, or someone interested in self-improvement, these digital resources provide an efficient and accessible means of acquiring knowledge. Moreover, PDF books and manuals offer a range of benefits compared to other digital formats. PDF files are designed to retain their formatting regardless of the device used to open them. This ensures that the content appears exactly as intended by the author, with no loss of formatting or missing graphics. Additionally, PDF files can be easily annotated, bookmarked, and searched for specific terms, making them highly practical for studying or referencing. When it comes to accessing Microscope Test Questions And Answers books and manuals, several platforms offer an extensive collection of resources. One such platform is Project Gutenberg, a nonprofit organization that provides over 60,000 free eBooks. These books are primarily in the public domain, meaning they can be freely distributed and downloaded. Project Gutenberg offers a wide range of classic literature, making it an excellent resource for literature enthusiasts. Another popular platform for Microscope Test Questions And Answers books and manuals is Open Library. Open Library is an initiative of the Internet

Archive, a non-profit organization dedicated to digitizing cultural artifacts and making them accessible to the public. Open Library hosts millions of books, including both public domain works and contemporary titles. It also allows users to borrow digital copies of certain books for a limited period, similar to a library lending system. Additionally, many universities and educational institutions have their own digital libraries that provide free access to PDF books and manuals. These libraries often offer academic texts, research papers, and technical manuals, making them invaluable resources for students and researchers. Some notable examples include MIT OpenCourseWare, which offers free access to course materials from the Massachusetts Institute of Technology, and the Digital Public Library of America, which provides a vast collection of digitized books and historical documents. In conclusion, Microscope Test Questions And Answers books and manuals for download have transformed the way we access information. They provide a cost-effective and convenient means of acquiring knowledge, offering the ability to access a vast library of resources at our fingertips. With platforms like Project Gutenberg, Open Library, and various digital libraries offered by educational institutions, we have access to an ever-expanding collection of books and manuals. Whether for educational, professional, or personal purposes, these digital resources serve as valuable tools for continuous learning and self-improvement. So why not take advantage of the vast world of Microscope Test Questions And Answers books and manuals for download and embark on your journey of knowledge?

FAQs About Microscope Test Questions And Answers Books

How do I know which eBook platform is the best for me? Finding the best eBook platform depends on your reading preferences and device compatibility. Research different platforms, read user reviews, and explore their features before making a choice. Are free eBooks of good quality? Yes, many reputable platforms offer high-quality free eBooks, including classics and public domain works. However, make sure to verify the source to ensure the eBook credibility. Can I read eBooks without an eReader? Absolutely! Most eBook platforms offer webbased readers or mobile apps that allow you to read eBooks on your computer, tablet, or smartphone. How do I avoid digital eye strain while reading eBooks? To prevent digital eye strain, take regular breaks, adjust the font size and background color, and ensure proper lighting while reading eBooks. What the advantage of interactive eBooks? Interactive eBooks incorporate multimedia elements, quizzes, and activities, enhancing the reader engagement and providing a more immersive learning experience. Microscope Test Questions And Answers is one of the best book in our library for free trial. We provide copy of Microscope Test Questions And Answers in digital format, so the resources that you find are reliable. There are also many Ebooks of related with Microscope Test Questions And Answers. Where to download Microscope Test Questions And Answers online for free? Are you looking for Microscope Test Questions And Answers PDF? This is definitely going to save you time and cash in something you should

think about. If you trying to find then search around for online. Without a doubt there are numerous these available and many of them have the freedom. However without doubt you receive whatever you purchase. An alternate way to get ideas is always to check another Microscope Test Questions And Answers. This method for see exactly what may be included and adopt these ideas to your book. This site will almost certainly help you save time and effort, money and stress. If you are looking for free books then you really should consider finding to assist you try this. Several of Microscope Test Questions And Answers are for sale to free while some are payable. If you arent sure if the books you would like to download works with for usage along with your computer, it is possible to download free trials. The free guides make it easy for someone to free access online library for download books to your device. You can get free download on free trial for lots of books categories. Our library is the biggest of these that have literally hundreds of thousands of different products categories represented. You will also see that there are specific sites catered to different product types or categories, brands or niches related with Microscope Test Questions And Answers. So depending on what exactly you are searching, you will be able to choose e books to suit your own need. Need to access completely for Campbell Biology Seventh Edition book? Access Ebook without any digging. And by having access to our ebook online or by storing it on your computer, you have convenient answers with Microscope Test Questions And Answers To get started finding Microscope Test Questions And Answers, you are right to find our website which has a comprehensive collection of books online. Our library is the biggest of these that have literally hundreds of thousands of different products represented. You will also see that there are specific sites catered to different categories or niches related with Microscope Test Questions And Answers So depending on what exactly you are searching, you will be able tochoose ebook to suit your own need. Thank you for reading Microscope Test Questions And Answers. Maybe you have knowledge that, people have search numerous times for their favorite readings like this Microscope Test Questions And Answers, but end up in harmful downloads. Rather than reading a good book with a cup of coffee in the afternoon, instead they juggled with some harmful bugs inside their laptop. Microscope Test Questions And Answers is available in our book collection an online access to it is set as public so you can download it instantly. Our digital library spans in multiple locations, allowing you to get the most less latency time to download any of our books like this one. Merely said, Microscope Test Questions And Answers is universally compatible with any devices to read.

Find Microscope Test Questions And Answers :

20-1265 real estate investing review United States 20-491 real estate
[small business 20-700 online privacy apps for entrepreneurs 20-2135](#)
practices America 20-2650 data science careers blueprint USA 20-1890
[tips best practices America 20-2115 travel tips best practices for](#)

strategies for small business 20-2507 weight loss tips America 20-1984

[startups 20-1981](#) [travel tips best practices for startups 20-457](#) [travel](#)

[online business roadmap for entrepreneurs 20-1929](#) [online business](#)

[remote work comparison United States 20-2746](#) [remote work comparison for](#)

[entrepreneurs 20-2274](#) [passive income ideas checklist for entrepreneurs](#)

marketing software USA 20-2119 affiliate marketing software USA 20-364

[retirement planning examples United States 20-2298](#) [retirement planning](#)

[explained for entrepreneurs 20-1821](#) [blockchain development explained for](#)

[20-2379](#) [VPN services guide United States 20-1686](#) [VPN services guide](#)

business automation ideas United States 20-1027 business automation

[20-2935](#) [cloud computing software for creators 20-973](#) [cloud computing](#)

Microscope Test Questions And Answers :

[phys 1023 exam 1 flashcards quizlet - Dec 28 2021](#)

web verified answer engineering a skydiver weighs 125 pounds and her parachute and equipment combined weigh another 35 pounds after exiting from a plane at an altitude of 15 000 feet she waits 15 seconds and opens her parachute assume that the drag coefficient has the value $k = 0.5$ during free fall and $k = 10$ after the

physical science 1st edition solutions and answers quizlet - Aug 16 2023

web now with expert verified solutions from physical science 1st edition you ll learn how to solve your toughest homework problems our resource for physical science includes answers to chapter exercises as well as detailed information to walk you through the process step by step

[physical science 1st edition solutions and answers quizlet - Jul 15 2023](#)

web find step by step solutions and answers to physical science 9780076774562 as well as thousands of textbooks so you can move forward with confidence fresh features from the 1 ai enhanced learning platform

[physical science textbook guerneville school - Jan 09 2023](#)

web physical science chapter 1 introduction to physical science view pdf 8 131 0 kb physical science chapter 2 nature of matter view pdf 4 373 0 kb physical science chapter 3 solids liquids and gases view pdf 4 927 1 kb physical science chapter 4 elements and the periodic table view pdf 8 007 8 kb

[physical science concepts in action 2nd edition quizlet - Jun 14 2023](#)

web find step by step solutions and answers to physical science concepts in action 9780131663053 as well as thousands of

textbooks so you can move forward with confidence fresh features from the 1 ai enhanced learning platform

prentice hall physical science solution manual chegg com - May 13 2023

web get instant access to our step by step prentice hall physical science solutions manual our solution manuals are written by chegg experts so you can be assured of the highest quality

prentice hall physical science by b bornn open library - Sep 05 2022

web nov 15 2022 prentice hall physical science 1988 prentice hall 1st ed 0137005687 9780137005680 aaaa borrow listen libraries near you worldcat 2 physical science annotated teachers edition

prentice hall physical science ch 23 answers pdf forms imcost edu - May 01 2022

web prentice hall physical science ch 23 answers whispering the secrets of language an psychological journey through

prentice hall physical science ch 23 answers in a digitally driven earth wherever displays reign great and instant connection drowns out the subtleties of language the profound techniques and

physical science textbook savvas learning company - Mar 31 2022

web physical science inquiry find 9 types of inquiry activities included at point of use in the student text designed to increase student engagement and motivation students who do science in the labs data analysis and problem solving activities achieve success build scientific literacy

prentice hall physical science concepts in action academia edu - Dec 08 2022

web see full pdfdownload pdf fprentice hall physical science concepts in action f book description prentice hall physical science concepts in action read ebook online pdf epub kindle prentice hall physical science concepts in action pdf prentice hall physical science concepts in action read online prentice hall physical science

prentice hall life science chapter 22 flashcards quizlet - Jan 29 2022

web start studying prentice hall life science chapter 22 learn vocabulary terms and more with flashcards games and other study tools

prentice hall physical science ch 23 answers copy - Oct 06 2022

web to begin getting this info get the prentice hall physical science ch 23 answers link that we manage to pay for here and check out the link you could buy lead prentice hall physical science ch 23 answers or acquire it as soon as feasible you could speedily download this prentice hall physical science ch 23 answers after getting deal

prentice hall physical science online textbook help study com - Mar 11 2023

web sep 8 2023 identify the chapter in your prentice hall physical science textbook with which you need help find the corresponding chapter within our prentice hall physical science textbook companion

pascal prensibi ile ilgili soru ve çözümleri lazım acill yardım - Feb 27 2022

web may 5 2016 bir su cenderesinde küçük pistonun kesiti 25 cm² büyük pistonun kesiti 250 cm² dir küçük pistonu 50 n luk bir kuvvet uygulanırsa kaç n luk yük kaldırabilir hacmi 80 metre küp olan kürenin hacminin 5/8 i sıvı içinde kalacak şekilde yüzdüğüne göre küreye etki eden kaldırma kuvveti kaç n tur d sıvı 1 2g/cm³ a 6 b 2 c 0 6 d 0 4 ÇÖZÜM

physical science textbook google sites - Feb 10 2023

web lhs physical science textbook download page motion forces chapter 1 the nature of science chapter 2 motion chapter 3 forces and newton s laws unit 2 energy chapter 4 work and energy chapter 5 thermal energy chapter 6 chapter 23 organic compounds chapter 24 new materials through chemistry unit 7 earth

mrs j s physical science page lecture notes - Aug 04 2022

web students of high school physical science and introductory chemistry and physics may find them useful as a supplement to their own class notes or as a review teachers please feel free to use and modify them for your own classes nature of science ch 1 nature of science measurement ch 2 i units of measurement ii graphing iii

physical science concepts in action wysession michael free - Apr 12 2023

web oct 1 2021 physical science concepts in action english xvii 957 pages 29 cm grades 9 12 at head of title prentice hall ch 1 science skills chemistry ch 2 the electromagnetic spectrum and light ch 19 optics ch 20 electricity ch 21 magnetism earth and space science ch 22 earth s interior ch 23 earth s surface

prentice hall physical science chapter 12 flashcards quizlet - Jul 03 2022

web physical science ch 11 motion 23 terms moimemmoi glencoe health chapter 18 24 terms prentice hall physical science chapter 10 23 terms hallway65 prentice hall physical science chapter 7 17 terms jacobkeisling other sets by this creator animal cell organelles functions 14 terms lchao lesson 2 dialogue 2 asking about

solved chapter 8 problem 23ra solution prentice hall physical - Nov 07 2022

web access prentice hall physical science 1st edition chapter 8 problem 23ra solution now our solutions are written by chegg experts so you can be assured of the highest quality

prentice hall chemistry online textbook help study com - Jun 02 2022

web sep 8 2023 chapter 23 practice test practice test prentice hall chemistry chapter 23 functional groups ch 24 prentice hall chemistry chapter 24 the chemistry of life

histoire de l armée allemande 1918 1937 by jacques benoist - Apr 16 2023

web histoire de l armée allemande 1918 1937 by jacques benoist mechin histoire de l armée allemande 1918 1937 by jacques benoist mechin geoclioclaudel blog archive corrig de devoir l histoire guignen fr histoire mconnue de lincorporation de force des cours d histoire go en ligne l incendie de la cath drale de reims free

histoire de l armée allemande 1918 1937 by jacques benoist - Feb 02 2022

web histoire de l armée allemande 1918 1937 by jacques benoist mechin 24 avril 1915 le gnocide armnien herodote net
histoire den parler le blog d un odieux connard

histoire de l arma c e allemande 1918 1937 pdf download - Nov 11 2022

web histoire de l arma c e allemande 1918 1937 pdf pages 2 7 histoire de l arma c e allemande 1918 1937 pdf upload mia j
williamson 2 7 downloaded from china int indonesia travel on september 5 2023 by mia j williamson militaire par le général
guillaume de vaudoncourt tome premier second 1819 histoire générale

histoire de l arma c e allemande 1918 1937 pdf uniport edu - Dec 12 2022

web mar 27 2023 right here we have countless book histoire de l arma c e allemande 1918 1937 and collections to check
out we additionally allow variant types and as well as type of the books to browse

histoire de l arma c e allemande 1918 1937 app oaklandlibrary - Aug 20 2023

web 2 histoire de l arma c e allemande 1918 1937 2021 10 04 recognition of africa s cultural heritage offering an internal
perspective of africa the eight volume work provides a comprehensive approach to the
histoire de l arma c e allemande 1918 1937 2023 - Jun 06 2022

web histoire de l arma c e allemande 1918 1937 below megalithic research in the netherlands 1547 1911 jan albert bakker
2010 the impressive megalithic tombs in the northeastern netherlands are called hunebedden meaning giants graves these
enigmatic neolithic structures date to around 3000 bc and were built by the

histoire de l armée allemande 1918 1937 by jacques benoist - Jan 01 2022

web histoire de l armée allemande 1918 1937 by jacques benoist mechin octobre 1870 4e corps de l arma c e de metz 19
juillet rousset l l histoire des procs des collaborateurs en grce 1944

arme à feu histoire et chronologie - Apr 04 2022

web arme à feu vous permet de découvrir l évolution des armes dans le monde entier grâce à une classification
chronologique et précise de l invention de ces instruments de combat vous pouvez ainsi vous renseignez et être incollable sur
ce thème selon leurs spécificités les armes sont regroupées dans 4 catégories différentes les

histoire de l arma c e allemande 1918 1937 gisèle sapiro book - Sep 09 2022

web apr 22 2023 histoire de l arma c e allemande 1918 1937 that can be your partner the birth of biopolitics michel foucault
2010 03 02 a sixth compilation of lectures delivered at the collège de france between 1970 and 1984 continues the speaker s
coverage of 18th century political economy evaluating its role in the origins of a

histoire de l arma c e allemande 1918 1937 - Jul 19 2023

web jahrhundert von der generation der schlegels bopp rask und grimm bis hin zu den junggrammatikern und der
anwendung vergleichender methoden für nicht indo europäische sprachen dieser erde

liste de l armement utilisé pendant la guerre de cent ans - Mar 03 2022

web armes blanches canons bouches à feu etc utilisés durant la guerre de cent ans par les français fauchart ou vouge arme dérivée de la faux ou de la serpe des paysans servie par le vougier fléau à plommées javeline petit javelot estoc épée avec laquelle on frappait avec la pointe l estocade bombarde canon rudimentaire tirant des boulets

l histoire des armes site officiel de l union française des - May 05 2022

web visite de musées associatifs qui ont restauré et mis en valeur leurs trouvailles 100 ans après l armistice de 1918 qui a mis fin à la grande guerre jean marc surcin est parti sur les terrains où ont eu lieu les combats pour y retrouver les cicatrices et les stigmates d un conflit qui pendant quatre ans a ravagé le quart nord est

histoire de l arma c e allemande 1918 1937 pdf - Mar 15 2023

web histoire de l arma c e allemande 1918 1937 the statesman s year book jan 29 2021 the classic reference work that provides annually updated information on the countries of the world documents on german foreign policy 1918 1945 apr 12 2022 pattern and repertoire in history nov 19 2022

histoire de l arma c e allemande 1918 1937 pdf uniport edu - Jan 13 2023

web jun 27 2023 histoire de l arma c e allemande 1918 1937 1 3 downloaded from uniport edu ng on june 27 2023 by guest histoire de l arma c e allemande 1918 1937 right here we have countless book histoire de l arma c e allemande 1918 1937 and collections to check out we additionally come up with the money for variant types and

petite histoire chronologique des armes à feu site officiel de l - Aug 08 2022

web le médiéviste alain parbeau nous fait partager toute une vie de recherches et de connaissances sur le début de l arme à feu l histoire des armes petite histoire chronologique des armes à feu petite histoire chronologique des armes à feu des origines au xviiième siècle arquebuse à rouet allemande vers 1700

histoire de l arma c e allemande 1918 1937 blog theupside - Oct 10 2022

web histoire de france depuis les origines jusqu à la révolution histoire de l art chez les anciens recherches sur les hallucinations au point de vue de la psychologie de l histoire et de la médecine légale culture and society in medieval occitania histoire de l arma c e allemande 1918 1937 downloaded from blog theupside com by guest

histoire de l arma c e allemande 1918 1937 book - May 17 2023

web of this histoire de l arma c e allemande 1918 1937 can be taken as well as picked to act qui est qui en france 1999 music and the occult joscelyn godwin 1995 this book is an adventure into the unexplored territory of french esoteric philosophies and their relation to music occultism and esotericism

histoire de l armée allemande 1918 1937 by jacques benoist - Jun 18 2023

web histoire de l armée allemande 1918 1937 by jacques benoist mechin reichswehr à l armée nationale paris albin michel

1938 c 200 frank robert le prix du réarmement français 1935 1939 paris publications de
[histoire de l arma c e allemande 1918 1937 pdf uniport edu](#) - Jul 07 2022

web histoire de l arma c e allemande 1918 1937 2 3 downloaded from uniport edu ng on may 10 2023 by guest histoire de la guerre soutenue par les français en allemagne en 1813 avec un atlas militaire par le général guillaume de vaudoncourt tome premier second 1819 histoire de l allemagne pierre lafue 1852 histoire d allemagne heinrich
armée allemande wikipédia - Feb 14 2023

web l armée allemande peut faire référence à la deutsches heer pour l armée de terre de l empire allemand de 1871 à 1919 la reichswehr pour l armée de la république de weimar de 1919 à 1935 la wehrmacht et la waffen ss pour les forces armées du troisième reich de 1935 à 1945

r tha c odor initiation a l analyse numa c rique - Dec 23 2022

web mar 1 2023 r tha c odor initiation a l analyse numa c rique is available in our digital library an online access to it is set as public so you can get it instantly our digital library saves in multiple countries allowing you to get the most less latency time to

r tha c odor initiation a l analyse numa c rique - Mar 14 2022

web r tha c odor initiation a l analyse numa c rique chemical signals in vertebrates 14 fundamentals of stored product entomology hormones brain and behavior springer handbook of odor handbook of olfaction and gustation the molecular basis of smell and taste transduction the senses a comprehensive reference computational models of
r tha c odor initiation a l analyse numa c rique controlplane - Mar 26 2023

web r tha c odor initiation a l analyse numa c rique 1 r tha c odor initiation a l analyse numa c rique plasticity in the sensory systems of invertebrates the molecular basis of smell and taste transduction modern pharmaceuticals volume 1 computational neuroscience in epilepsy fundamentals of stored product entomology

[r tha c odor initiation a l analyse numa c rique uniport edu](#) - Jun 28 2023

web jun 6 2023 merely said the r tha c odor initiation a l analyse numa c rique is universally compatible with any devices to read chemical signals in vertebrates 6 r l doty 2013 11 11 this volume is an up to date treatise of chemosensory vertebrate research performed by over 200 scientists from 22 countries importantly data

r tha c odor initiation a l analyse numa c rique 2022 - Aug 19 2022

web 2 r tha c odor initiation a l analyse numa c rique 2023 06 12 distinct molecular cues cell cycle exit and activity combinations during development regeneration and plasticity

r tha c odor initiation a l analyse numa c rique pierre - Feb 22 2023

web neighboring to the proclamation as competently as sharpness of this r tha c odor initiation a l analyse numa c rique can

be taken as without difficulty as picked to act the writing of orpheus marcel detienne 2002 12 30 winner of the translation prize for non fiction from the french american foundation son of a

r tha c odor initiation a l analyse numa c rique pdf - Jan 24 2023

web nov 1 2022 r tha c odor initiation a l analyse numa c rique is available in our digital library an online access to it is set as public so you can get it instantly our book servers spans in multiple locations allowing you to get the most less latency time to download

kimyasal türler arası etkileşimler soru 17 Çözümlü kimya - Oct 21 2022

web kimyasal türler arası etkileşimler soru 17 nötrleşme tepkimesi ne demektir yanıt asit ve bazların birbiriyle tepkimeye girerek tuz ve su oluşturmalarına nötrleşme tepkimesi denir bu tanım genel bir tanımdır nötrleşme olayını ilerki sınıflarda daha etraflıca göreceksiniz Şimdilik bilmeniz gereken çok kullanılan

r tha c odor initiation a l analyse numa c rique - Oct 01 2023

web tha c odor initiation a l analyse numa c rique a literary masterpiece penned with a renowned author readers embark on a transformative journey unlocking the secrets and untapped potential embedded within each word

tonik İçecek nedir tonik İçekte alkol var mı dipsiz kuyu - May 16 2022

web may 13 2021 dipsiz kuyu tarafından 13 mayıs 2021 21 eylül 2023 tarihinde düzenlendi okuma süresi 3dk 39sn tonik ıecek nedir tonik ıecek ıerisine kinin katılmıř sodaya verilen karıřma denir alkolsüz ıecekler ismine göre tonik ıecek řeker kinin ve su ile karıřımına göre ıretilir halk arasında söylenenden aksine tonik

read free r tha c odor initiation a l analyse numa c rique - Aug 31 2023

web r tha c odor initiation a l analyse numa c rique designing with smell jan 08 2021 designing with smell aims to inspire readers to actively consider smell in their work through the inclusion of case studies from around the world highlighting the current use of smell in different cutting edge design and artistic practices

r tha c odor initiation a l analyse numa c rique uniport edu - Apr 14 2022

web aug 9 2023 r tha c odor initiation a l analyse numa c rique 1 1 downloaded from uniport edu ng on august 9 2023 by guest r tha c odor initiation a l analyse numa c rique thank you unconditionally much for downloading r tha c odor initiation a l analyse numa c rique most likely you have knowledge that people have see numerous time for

r tha c odor initiation a l analyse numa c rique pdf - Jun 16 2022

web jun 27 2023 r tha c odor initiation a l analyse numa c rique pdf r tha c odor initiation a l analyse numa c rique pdf then it is not directly done you could take even more on the subject of this life in this area the world we manage to pay for you this proper as without difficulty as easy pretentiousness to acquire those all we present r tha c

r tha c odor initiation a l analyse numa c rique jean - Apr 26 2023

web jan 8 2023 [r tha c odor initiation a l analyse numa c rique](#) recognizing the mannerism ways to acquire this ebook r tha c odor initiation a l analyse numa c rique is additionally useful you have remained in right site to begin getting this info get the r tha c odor initiation a l analyse numa c rique connect that we allow here and

[r tha c odor initiation a l analyse numa c rique](#) - Jul 18 2022

web r tha c odor initiation a l analyse numa c rique 3 3 dyslexia models of neurological disorders including alzheimer s disease parkinson s disease and epilepsy early sensory and perceptual processes models of olfaction higher systems level

[r tha c odor initiation a l analyse numa c rique pdf](#) - May 28 2023

web sep 3 2023 [r tha c odor initiation a l analyse numa c rique 2 12](#) downloaded from uniport edu ng on september 3 2023 by guest controlling crystallization cross linking reactions dispersion and surface adsorption processes in foods and clarifies how to modify crystal size distribution stabilize dispersions and minimize fouling explores uptake

[r tha c odor initiation a l analyse numa c rique](#) - Sep 19 2022

web 2 r tha c odor initiation a l analyse numa c rique 2022 06 15 book helps answer consumers concern about pesticide residues in food by providing helpful ipm and alternative approaches for pest management it provides the basic information needed to manage pests with and without the use of chemicals managing pests requires a

[odor concentration invariance by chemical ratio coding pmc](#) - Feb 10 2022

web apr 8 2008 introduction understanding the neural computations underlying object recognition is important for understanding the function of any sensory system generally speaking each sensory system extracts specific features of the total impinging sensory information while ignoring others

[r tha c odor initiation a l analyse numa c rique pdf](#) - Nov 21 2022

web may 4 2023 [r tha c odor initiation a l analyse numa c rique 1 3](#) downloaded from uniport edu ng on may 4 2023 by guest r tha c odor initiation a l analyse numa c amusement as competently as accord can be gotten by just checking out a ebook r tha c odor initiation a l analyse numa c rique furthermore it is not directly done you could

[r tha c odor initiation a l analyse numa c rique controlplane](#) - Jul 30 2023

web r tha c odor initiation a l analyse numa c rique 3 3 to investigate in the search for ways of dealing with human aggression or violence with recent advances in pharmacology and genetic manipulation techniques however new interest has developed in the biological mechanisms of both non human and human aggression although aggression is