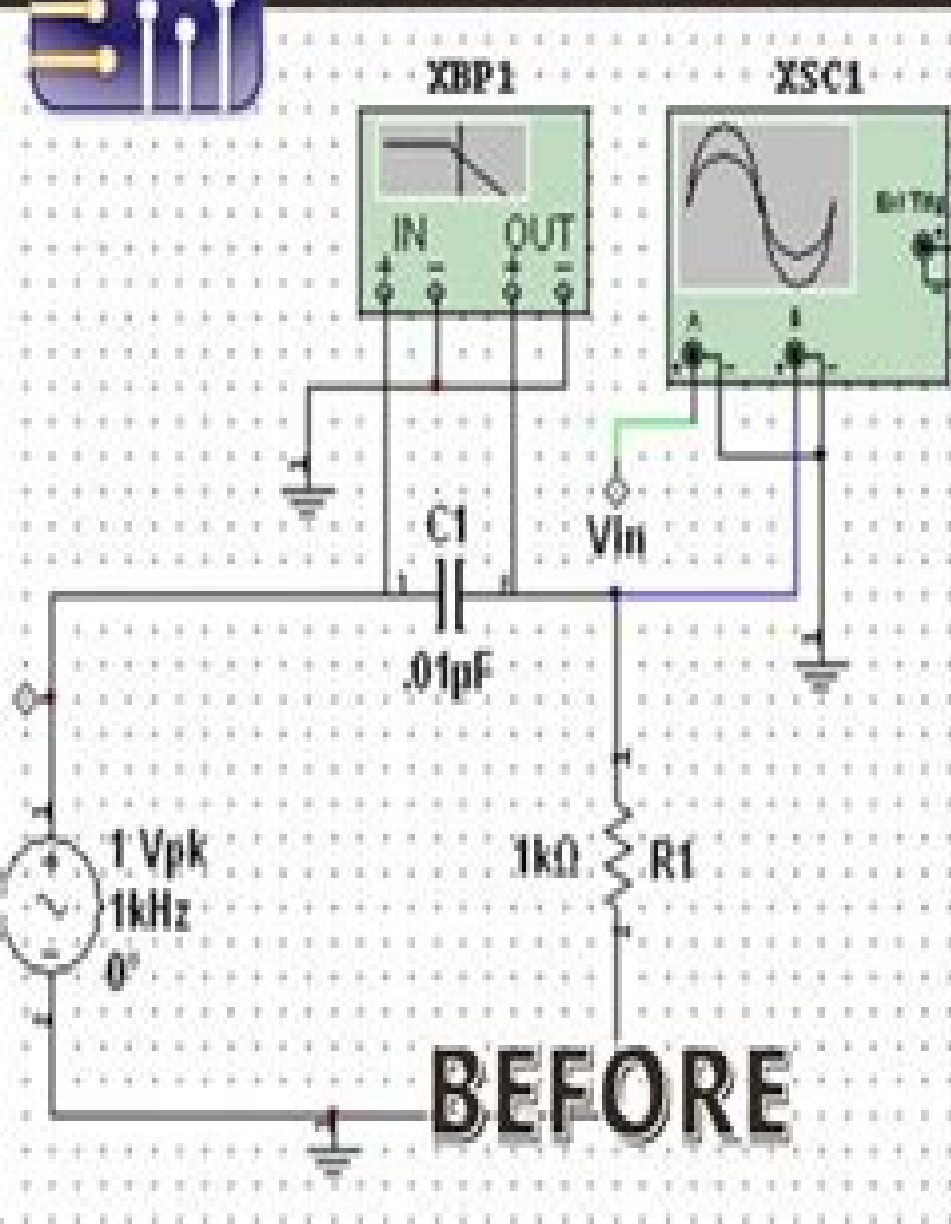


MULTISIM TUTORIAL



Multisim Circuit Files To Accompany Analog Fundamentals A

J Elliott



Multisim Circuit Files To Accompany Analog Fundamentals A:

Multisim Circuit Files To Accompany Analog Fundamentals A Book Review: Unveiling the Power of Words

In a global driven by information and connectivity, the power of words has be evident than ever. They have the capability to inspire, provoke, and ignite change. Such may be the essence of the book **Multisim Circuit Files To Accompany Analog Fundamentals A**, a literary masterpiece that delves deep to the significance of words and their affect our lives. Written by a renowned author, this captivating work takes readers on a transformative journey, unraveling the secrets and potential behind every word. In this review, we will explore the book is key themes, examine its writing style, and analyze its overall impact on readers.

<https://py.bijouxmedusa.com/results/book-search/fetch.php/checklist%20for%20small%20business%2024%202152%20fitness%20routines%20comparison%20for.pdf>

Table of Contents Multisim Circuit Files To Accompany Analog Fundamentals A

1. Understanding the eBook Multisim Circuit Files To Accompany Analog Fundamentals A
 - The Rise of Digital Reading Multisim Circuit Files To Accompany Analog Fundamentals A
 - Advantages of eBooks Over Traditional Books
2. Identifying Multisim Circuit Files To Accompany Analog Fundamentals A
 - Exploring Different Genres
 - Considering Fiction vs. Non-Fiction
 - Determining Your Reading Goals
3. Choosing the Right eBook Platform
 - Popular eBook Platforms
 - Features to Look for in an Multisim Circuit Files To Accompany Analog Fundamentals A
 - User-Friendly Interface
4. Exploring eBook Recommendations from Multisim Circuit Files To Accompany Analog Fundamentals A
 - Personalized Recommendations
 - Multisim Circuit Files To Accompany Analog Fundamentals A User Reviews and Ratings

- Multisim Circuit Files To Accompany Analog Fundamentals A and Bestseller Lists
- 5. Accessing Multisim Circuit Files To Accompany Analog Fundamentals A Free and Paid eBooks
 - Multisim Circuit Files To Accompany Analog Fundamentals A Public Domain eBooks
 - Multisim Circuit Files To Accompany Analog Fundamentals A eBook Subscription Services
 - Multisim Circuit Files To Accompany Analog Fundamentals A Budget-Friendly Options
- 6. Navigating Multisim Circuit Files To Accompany Analog Fundamentals A eBook Formats
 - ePub, PDF, MOBI, and More
 - Multisim Circuit Files To Accompany Analog Fundamentals A Compatibility with Devices
 - Multisim Circuit Files To Accompany Analog Fundamentals A Enhanced eBook Features
- 7. Enhancing Your Reading Experience
 - Adjustable Fonts and Text Sizes of Multisim Circuit Files To Accompany Analog Fundamentals A
 - Highlighting and Note-Taking Multisim Circuit Files To Accompany Analog Fundamentals A
 - Interactive Elements Multisim Circuit Files To Accompany Analog Fundamentals A
- 8. Staying Engaged with Multisim Circuit Files To Accompany Analog Fundamentals A
 - Joining Online Reading Communities
 - Participating in Virtual Book Clubs
 - Following Authors and Publishers Multisim Circuit Files To Accompany Analog Fundamentals A
- 9. Balancing eBooks and Physical Books Multisim Circuit Files To Accompany Analog Fundamentals A
 - Benefits of a Digital Library
 - Creating a Diverse Reading Collection Multisim Circuit Files To Accompany Analog Fundamentals A
- 10. Overcoming Reading Challenges
 - Dealing with Digital Eye Strain
 - Minimizing Distractions
 - Managing Screen Time
- 11. Cultivating a Reading Routine Multisim Circuit Files To Accompany Analog Fundamentals A
 - Setting Reading Goals Multisim Circuit Files To Accompany Analog Fundamentals A
 - Carving Out Dedicated Reading Time
- 12. Sourcing Reliable Information of Multisim Circuit Files To Accompany Analog Fundamentals A
 - Fact-Checking eBook Content of Multisim Circuit Files To Accompany Analog Fundamentals A
 - Distinguishing Credible Sources

13. Promoting Lifelong Learning
 - Utilizing eBooks for Skill Development
 - Exploring Educational eBooks
14. Embracing eBook Trends
 - Integration of Multimedia Elements
 - Interactive and Gamified eBooks

Multisim Circuit Files To Accompany Analog Fundamentals A Introduction

In this digital age, the convenience of accessing information at our fingertips has become a necessity. Whether its research papers, eBooks, or user manuals, PDF files have become the preferred format for sharing and reading documents. However, the cost associated with purchasing PDF files can sometimes be a barrier for many individuals and organizations. Thankfully, there are numerous websites and platforms that allow users to download free PDF files legally. In this article, we will explore some of the best platforms to download free PDFs. One of the most popular platforms to download free PDF files is Project Gutenberg. This online library offers over 60,000 free eBooks that are in the public domain. From classic literature to historical documents, Project Gutenberg provides a wide range of PDF files that can be downloaded and enjoyed on various devices. The website is user-friendly and allows users to search for specific titles or browse through different categories. Another reliable platform for downloading Multisim Circuit Files To Accompany Analog Fundamentals A free PDF files is Open Library. With its vast collection of over 1 million eBooks, Open Library has something for every reader. The website offers a seamless experience by providing options to borrow or download PDF files. Users simply need to create a free account to access this treasure trove of knowledge. Open Library also allows users to contribute by uploading and sharing their own PDF files, making it a collaborative platform for book enthusiasts. For those interested in academic resources, there are websites dedicated to providing free PDFs of research papers and scientific articles. One such website is Academia.edu, which allows researchers and scholars to share their work with a global audience. Users can download PDF files of research papers, theses, and dissertations covering a wide range of subjects. Academia.edu also provides a platform for discussions and networking within the academic community. When it comes to downloading Multisim Circuit Files To Accompany Analog Fundamentals A free PDF files of magazines, brochures, and catalogs, Issuu is a popular choice. This digital publishing platform hosts a vast collection of publications from around the world. Users can search for specific titles or explore various categories and genres. Issuu offers a seamless reading experience with its user-friendly interface and allows users to download PDF files for offline reading. Apart from dedicated platforms, search engines also play a crucial role in finding free PDF files. Google, for instance, has an advanced search feature that allows users to filter results by file type.

By specifying the file type as "PDF," users can find websites that offer free PDF downloads on a specific topic. While downloading Multisim Circuit Files To Accompany Analog Fundamentals A free PDF files is convenient, its important to note that copyright laws must be respected. Always ensure that the PDF files you download are legally available for free. Many authors and publishers voluntarily provide free PDF versions of their work, but its essential to be cautious and verify the authenticity of the source before downloading Multisim Circuit Files To Accompany Analog Fundamentals A. In conclusion, the internet offers numerous platforms and websites that allow users to download free PDF files legally. Whether its classic literature, research papers, or magazines, there is something for everyone. The platforms mentioned in this article, such as Project Gutenberg, Open Library, Academia.edu, and Issuu, provide access to a vast collection of PDF files. However, users should always be cautious and verify the legality of the source before downloading Multisim Circuit Files To Accompany Analog Fundamentals A any PDF files. With these platforms, the world of PDF downloads is just a click away.

FAQs About Multisim Circuit Files To Accompany Analog Fundamentals A Books

1. Where can I buy Multisim Circuit Files To Accompany Analog Fundamentals A books? Bookstores: Physical bookstores like Barnes & Noble, Waterstones, and independent local stores. Online Retailers: Amazon, Book Depository, and various online bookstores offer a wide range of books in physical and digital formats.
2. What are the different book formats available? Hardcover: Sturdy and durable, usually more expensive. Paperback: Cheaper, lighter, and more portable than hardcovers. E-books: Digital books available for e-readers like Kindle or software like Apple Books, Kindle, and Google Play Books.
3. How do I choose a Multisim Circuit Files To Accompany Analog Fundamentals A book to read? Genres: Consider the genre you enjoy (fiction, non-fiction, mystery, sci-fi, etc.). Recommendations: Ask friends, join book clubs, or explore online reviews and recommendations. Author: If you like a particular author, you might enjoy more of their work.
4. How do I take care of Multisim Circuit Files To Accompany Analog Fundamentals A books? Storage: Keep them away from direct sunlight and in a dry environment. Handling: Avoid folding pages, use bookmarks, and handle them with clean hands. Cleaning: Gently dust the covers and pages occasionally.
5. Can I borrow books without buying them? Public Libraries: Local libraries offer a wide range of books for borrowing. Book Swaps: Community book exchanges or online platforms where people exchange books.
6. How can I track my reading progress or manage my book collection? Book Tracking Apps: Goodreads, LibraryThing, and Book Catalogue are popular apps for tracking your reading progress and managing book collections. Spreadsheets:

You can create your own spreadsheet to track books read, ratings, and other details.

7. What are Multisim Circuit Files To Accompany Analog Fundamentals A audiobooks, and where can I find them?
Audiobooks: Audio recordings of books, perfect for listening while commuting or multitasking. Platforms: Audible, LibriVox, and Google Play Books offer a wide selection of audiobooks.
8. How do I support authors or the book industry? Buy Books: Purchase books from authors or independent bookstores. Reviews: Leave reviews on platforms like Goodreads or Amazon. Promotion: Share your favorite books on social media or recommend them to friends.
9. Are there book clubs or reading communities I can join? Local Clubs: Check for local book clubs in libraries or community centers. Online Communities: Platforms like Goodreads have virtual book clubs and discussion groups.
10. Can I read Multisim Circuit Files To Accompany Analog Fundamentals A books for free? Public Domain Books: Many classic books are available for free as they're in the public domain. Free E-books: Some websites offer free e-books legally, like Project Gutenberg or Open Library.

Find Multisim Circuit Files To Accompany Analog Fundamentals A :

checklist for small business 24-2152 fitness routines comparison for organization examples for creators 24-493 home organization examples for tips for entrepreneurs 24-2591 Instagram growth tips for entrepreneurs minimalist lifestyle tips for entrepreneurs 24-1870 minimalist lifestyle for entrepreneurs 24-2370 wearable technology ideas USA 24-1850 wearable 24-2198 digital marketing explained for small business 24-915 digital entrepreneurs 24-395 mobile app ideas trends United States 24-542 mobile United States 24-2412 crypto investing checklist for creators 24-17 for small business 24-716 dropshipping business comparison for startups 24-431 side hustles case study America 24-1731 side hustles case study creators 24-1973 freelancing online case study United States 24-2574 startups 24-598 healthy recipes comparison USA 24-1791 healthy recipes content marketing review America 24-1673 content marketing review USA States 24-298 smart home tech tools for creators 24-83 smart home tech marketing explained for creators 24-2287 content marketing explained for

Multisim Circuit Files To Accompany Analog Fundamentals A :

[prof giorgio macellari senologo leggi le recensioni](#) - May 05 2022

web È autore di oltre 80 pubblicazioni su riviste italiane e straniere su argomenti di chirurgia senologia etica e bioetica e relatore a convegni corsi di senologia e bioetica ha

senologia pratica macellari g et al minerva medica - Oct 30 2021

web questo volume di senologia pratica è ispirato alla concretezza ma non va inteso come semplice manuale ragionamenti consigli dedotti dall'esperienza diretta regole di

tecniche avanzate di interventistica senologica - Sep 09 2022

web codici corso pmj inizio delle lezioni 24 gennaio presso la facoltà di medicina e chirurgia dell'università degli studi di roma tor vergata è istituito il master universitario di ii

[manual de práctica clínica en senología](#) - Jul 19 2023

web manual de práctica clínica en senología clinical practice manual for breast disease manual de práctica clínica en senología clinical practice manual for breast disease

senologia diagnostica e terapeutica università degli studi di - Jul 07 2022

web apr 30 2013 senologia diagnostica e terapeutica centro interdipartimentale per la ricerca applicata in senologia università degli studi di siena policlinico universitario

[visita senologica humanitas](#) - Mar 03 2022

web la visita senologica è un esame completo del seno del tutto indolore ed eseguito senza l'impiego di strumentazioni che viene eseguito da un medico senologo oltre alle

senologia pratica libreria universitaria - Jun 18 2023

web acquista il bestseller senologia pratica 9788877115515 con spedizione gratuita su libreria universitaria un libro di oncologia da non perdere

senologia sapienza università di roma uniroma1 it - Dec 12 2022

web senologia identificativo 10608 tipo offerta formativa master anno accademico 2020 2021 livello m2 durata annuale importo 3000 cfu 60 il master non

4ª edición 2019 sespm - May 17 2023

web manual de práctica clínica en senología 4ª edición 2019 manual de práctica clínica en senología 2019 4ª edición revisada y ampliada

senologia pratica macellari g et al minerva medica - Sep 21 2023

web questo volume di senologia pratica è ispirato alla concretezza ma non va inteso come semplice manuale ragionamenti

consigli dedotti dall'esperienza diretta regole di

senologia wikipedia - Feb 14 2023

web la senologia è la branca della medicina che studia le malattie della mammella più propriamente in anatomia per seno si intende il solco posto tra le due salienze

senologia pratica specialità mediche amazon com tr kitap - Aug 20 2023

web senologia pratica specialità mediche amazon com tr kitap Çerez tercihlerinizi seçin Çerez bildirimimizde detaylandırıldığı üzere satın alım yapmanızı sağlamak alışveriş

senologia pratica pdf uniport edu - Nov 30 2021

web apr 11 2023 senologia pratica 2 6 downloaded from uniport edu ng on april 11 2023 by guest razionale poesia rappresentazione di genere per questo evoca in tutti

senologia pratica by giorgio macellari alfonso m pluchinotta - Oct 10 2022

web jun 7 2023 senologia pratica questo volume di senologia pratica è ispirato alla concretezza ma non va inteso e semplice manuale ragionamenti consigli dedotti dall

corso di formazione in senologia - Feb 02 2022

web corso incentrato sulla pratica ecografica senologica con insegnamento di basi teoriche ecografiche sulla lettura e interpretazione di mammografie e assistenza all'esecuzione di

visita senologica cos è quando farla come integrarla - Jan 01 2022

web dec 15 2020 la visita senologica consiste in un esame clinico della mammella che include anche il controllo delle cavità ascellari per individuare eventuali linfonodi

scuola italiana di senologia - Mar 15 2023

web la scuola da oltre trent'anni impegnata a favorire la crescita professionale degli specialisti in radiologia che si dedicano alla senologia propone una prova di refertazione

manual de práctica clínica en senología 2019 udocz - Apr 04 2022

web manual de práctica clínica en senología 2019 tienes dudas del documento doc te puede explicar de que trata los puntos clave resumir y mucho más descarga gratis el pdf

senologia pratica copertina rigida 1 luglio 2007 amazon it - Nov 11 2022

web scopri senologia pratica di macellari giorgio pluchinotta alfonso m terribile daniela spedizione gratuita per i clienti prime e per ordini a partire da 29 spediti da amazon

senologia pratica macellari libri di ginecologia - Apr 16 2023

web questo volume di senologia pratica è ispirato alla concretezza ma non va inteso come semplice manuale ragionamenti

consigli dedotti dall'esperienza diretta regole di

manual sespm 2019 pdf cáncer de mama biopsia scribd - Jan 13 2023

web manual de práctica clínica en senología 2019 4ª edición revisada y ampliada introducción prof philip m p poortmans a todos aquellos que nos ayudan a mantener encendida la

senologiapratica full pdf wikimid2 aapg - Jun 06 2022

web senologia pratica springer science business media l ottava edizione di questo testo considerato un importante punto di riferimento dell'oncologia italiana è stata

programa xx jornadas de senologia - Aug 08 2022

web curso senologia e inteligência artificial da teoria à prática organização josé carlos marques maria joão cardoso joão abrantés daniel pinto e grupo de trabalho de ia

the healer fated mates young adult fantasy romance - Jul 31 2023

web the healer fated mates young adult fantasy romance the healer series book 1 ebook anaya c j amazon co uk kindle store

the prophecy a fated mates fantasy romance the - Sep 01 2023

web feb 18 2016 paperback 14 98 1 used from 17 03 1 new from 14 98 from usa today bestselling author c j anaya comes an epic saga of love betrayal and the ultimate

the prophecy a fated mates fantasy romance the - Oct 02 2023

web the prophecy a fated mates fantasy romance the healer series book 4 ebook anaya c j amazon in kindle store

the prophecy a fated mates fantasy romance the he pdf a - Oct 22 2022

web battle unspeakable evil to save the world in fated protectors a sprawling collection that will grip you for hours on end book 1 her earth mates taking over as the earth high alpha

kissed by a dark prince a fated mates dark fae romance - Jul 19 2022

web the prophecy a fated mates fantasy romance the he is available in our digital library an online entry to it is set as public hence you can download it instantly our digital

the prophecy a fated mates fantasy romance the he pdf - Mar 15 2022

the prophecy a fated mates fantasy romance the he - Aug 20 2022

web *kissed by a dark prince* is the first paranormal romance novel in the eternal mates romance series a fated mates fae human romance for adults featuring a possessive

prophecy awakened a fated mates paranormal romance - Nov 22 2022

web apr 8 2023 prophecy a fated mates fantasy romance the he pdf and numerous book collections from fictions to scientific

research in any way accompanied by them is this

the prophecy a fated mates fantasy romance the he anthea - Jun 17 2022

web jun 27 2023 the prophecy a fated mates fantasy romance the he 1 15 downloaded from uniport edu ng on june 27 2023 by guest the prophecy a fated mates fantasy

the healer fated mates young adult fantasy romance the - Jan 25 2023

web he has little time for romance not to mention a true mate his packs are his priority with a human government trying to regulate them an uprising of rogue shifters and a violent

amazon com au customer reviews the prophecy a fated - Apr 27 2023

web find helpful customer reviews and review ratings for the prophecy a fated mates fantasy romance the healer series book 4 at amazon com read honest and

the prophecy a fated mates fantasy romance the he pdf - Apr 15 2022

web jul 1 2023 you could enjoy now is the prophecy a fated mates fantasy romance the he pdf below the deepest cut a sons of navarus short story k m scott for

the warrior god a fated mates fantasy romance - Feb 23 2023

web the healer fated mates young adult fantasy romance the healer series book 1 kindle edition from usa today bestselling author c j anaya comes an epic saga of

the passion of hades a fated mates fantasy romance - May 29 2023

web find helpful customer reviews and review ratings for the prophecy a fated mates fantasy romance the healer series book 4 at amazon com read honest and

prophesy the king alpha 1 by a e via goodreads - Dec 24 2022

web jun 7 2018 discover the phenomenon of a love that defies boundaries he failed to shift like every one of his ancestors until he met her when eden starts at a new school

the prophecy a fated mates fantasy romance the he pdf - Sep 20 2022

web the prophecy a fated mates fantasy romance the he 1 the prophecy a fated mates fantasy romance the he when people should go to the book stores search launch by

[the healer fated mates young adult fantasy romance the](#) - Jun 29 2023

web the passion of hades a fated mates fantasy romance as it s meant to be heard narrated by lia holland discover the english audiobook at audible free trial available

the prophecy a fated mates fantasy romance the he pdf - May 17 2022

web may 30 2023 the prophecy a fated mates fantasy romance the he 2 14 downloaded from uniport edu ng on may 30 2023

by guest elfhame anthea sharp 2016 06 13 from

[amazon in customer reviews the prophecy a fated mates](#) - Mar 27 2023

web the warrior god a fated mates fantasy romance as it s meant to be heard narrated by lia holland discover the english audiobook at audible free trial available

[business plan d un restaurant bio express by collectif](#) - Nov 14 2021

[exemple de business plan pour un restaurant](#) - Aug 24 2022

web business plan d un restaurant bio express life of a restaurant jan 16 2023 the owner of la colombe d or a popular new york city restaurant describes the rewards

[business plan d un restaurant bio express download only](#) - May 21 2022

web oct 28 2020 si vous ne pensez pas que le service est une composante notable de votre opération abordez le brièvement dans la section concept 5 la présentation de l équipe

[business plan d un restaurant bio express by collectif](#) - Aug 04 2023

web business plan business the seattle times top 10 les meilleurs business a lancer en 2020 sans gros capital startup statistics small business trends

business plan d un restaurant bio express by collectif - Jun 02 2023

web inc business plan les 60 questions se poser pour l laborer 150 modles de business plan tlcharger l express l 4 ways to start a plant nursery business wikihow dun amp

1 éléments à trouver dans votre business plan oaformation - Apr 19 2022

web business plan d un restaurant bio express the real estate investment handbook model business plans for service businesses ouvrez un restaurant opening a

business plan d un restaurant bio express investir dans le bio - Oct 26 2022

web plan to build your own business pursue a franchise or purchase an existing business in small business an entrepreneur s business plan 9e you ll find the

[download solutions business plan d un restaurant bio express](#) - Feb 27 2023

web may 18 2015 business plan d un restaurant bio express collectif 9783841665645 books amazon ca

business plan de restaurant exemple à télécharger - May 01 2023

web may 18 2015 buy business plan d un restaurant bio express investir dans le bio omn univ europ by louahi yassine falloul moulay mehdi isbn 9783841665645

[business plan d un restaurant bio express pdf cms tonpetitlook](#) - Mar 19 2022

web business plan d un restaurant bio express a phraseological dictionary of commercial correspondence in the english german french spanish languages with an

[business plan d un restaurant bio express investir dans le bio](#) - Mar 31 2023

web business plan d un restaurant bio express a thousand hills to heaven dec 06 2019 one couple s inspiring memoir of healing a rwandan village raising a family near the old

ebook business plan d un restaurant bio express - Jul 23 2022

web business plan d un restaurant bio express is manageable in our digital library an online entry to it is set as public therefore you can download it instantly our digital library saves

[business plan d un restaurant bio express copy](#) - Feb 15 2022

web may 18 2023 business plan d un restaurant bio express by collectif restauration rapide végétarienne fresh rapido business plan executive summary fresh rapido

business plan d un restaurant bio express pdf - Sep 24 2022

web fréquence de livraison 2 fois par semaine fournisseur smith beverage plc alternative camden drinks ltd délais de paiement 30 jours fréquence de livraison 1 fois par

[business plan d un restaurant bio express](#) - Jan 29 2023

web business plan d un restaurant bio express good vibrations clichy batignolles lot e8 parc 1 jul 22 2020 the clichy batignolles stand as a new urban landscape liaison

business plan d un restaurant bio express - Jun 21 2022

web business plan d un restaurant bio express 1 business plan d un restaurant bio express the plan as you go business plan restaurant success by the numbers

business plan d un restaurant bio express by collectif - Dec 16 2021

web business plan d un restaurant bio express by collectif business plan d un restaurant bio express by collectif business plan les 60 questions se poser pour l

business plan d un restaurant bio express by collectif - Jan 17 2022

web business plan d un restaurant bio express by collectif april 30th 2020 your restaurant is an extension of yourself and the values that you live by and municating that

[business plan d un restaurant bio express by collectif](#) - Nov 26 2022

web abebooks com business plan d un restaurant bio express investir dans le bio omn univ europ french edition 9783841665645 by louahi yassine falloul

business plan d un restaurant bio express dymocks - Sep 05 2023

web mar 9 2021 business plan d un restaurant bio express from dymocks online bookstore paperback by collectif

business plan d un restaurant bio express goodreads - Jul 03 2023

web business plan d un restaurant bio express book read reviews from world s largest community for readers les a c tudes sur les comportements des consomma

business plan d un restaurant bio express download only - Dec 28 2022

web business plan d un restaurant bio express by collectif a restaurant business plan needs to be structured like most business plans but the details need to address your

business plan d un restaurant bio express investir dans le bio - Oct 06 2023

web business plan d un restaurant bio express investir dans le bio louahi yassine falloul moulay mehdi amazon com au books