

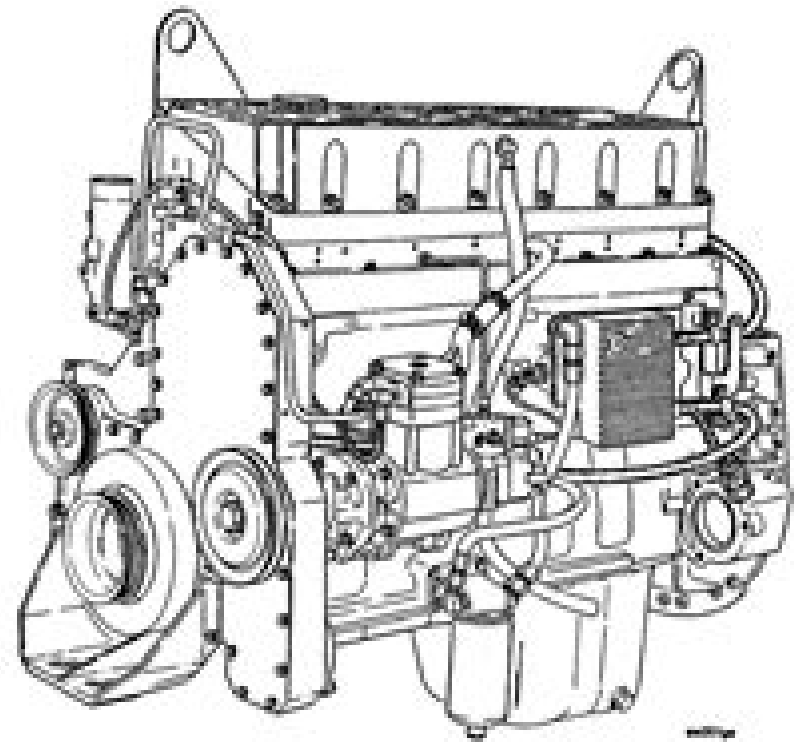
Bookmarks X



- 📄 MAIN MENU
- 📄 COVER PAGE
- 📄 TABLE OF CONTENTS
- > 📄 INTRODUCTION
- > 📄 ENGINE IDENTIFICATION
- > 📄 ENGINE DISASSEMBLY AND ASSEMBLY - GROUP 00
- > 📄 CYLINDER BLOCK - GROUP 01
- > 📄 CYLINDER HEAD - GROUP 02
- > 📄 ROCKER LEVERS - GROUP 03
- > 📄 CAM FOLLOWERS - GROUP 04
- > 📄 FUEL SYSTEM - GROUP 05
- > 📄 INJECTORS AND FUEL LINES - GROUP 06
- > 📄 LUBRICATING OIL SYSTEM - GROUP 07
- > 📄 COOLING SYSTEM - GROUP 08
- > 📄 DRIVE UNITS - GROUP



Shop Manual M11 Series Engines



N14 Cummins Diesel Engine Shop Manual

Michael Rajnik



N14 Cummins Diesel Engine Shop Manual:

Recognizing the showing off ways to acquire this book **N14 Cummins Diesel Engine Shop Manual** is additionally useful. You have remained in right site to start getting this info. acquire the N14 Cummins Diesel Engine Shop Manual associate that we give here and check out the link.

You could buy lead N14 Cummins Diesel Engine Shop Manual or get it as soon as feasible. You could speedily download this N14 Cummins Diesel Engine Shop Manual after getting deal. So, taking into consideration you require the ebook swiftly, you can straight get it. Its as a result unconditionally easy and therefore fats, isnt it? You have to favor to in this proclaim

https://py.bijouxmedusa.com/book/browse/Documents/New_Oxford_Dictionary_For_Writers_And_Editors.pdf

Table of Contents N14 Cummins Diesel Engine Shop Manual

1. Understanding the eBook N14 Cummins Diesel Engine Shop Manual
 - The Rise of Digital Reading N14 Cummins Diesel Engine Shop Manual
 - Advantages of eBooks Over Traditional Books
2. Identifying N14 Cummins Diesel Engine Shop Manual
 - Exploring Different Genres
 - Considering Fiction vs. Non-Fiction
 - Determining Your Reading Goals
3. Choosing the Right eBook Platform
 - Popular eBook Platforms
 - Features to Look for in an N14 Cummins Diesel Engine Shop Manual
 - User-Friendly Interface
4. Exploring eBook Recommendations from N14 Cummins Diesel Engine Shop Manual
 - Personalized Recommendations
 - N14 Cummins Diesel Engine Shop Manual User Reviews and Ratings
 - N14 Cummins Diesel Engine Shop Manual and Bestseller Lists
5. Accessing N14 Cummins Diesel Engine Shop Manual Free and Paid eBooks

- N14 Cummins Diesel Engine Shop Manual Public Domain eBooks
 - N14 Cummins Diesel Engine Shop Manual eBook Subscription Services
 - N14 Cummins Diesel Engine Shop Manual Budget-Friendly Options
6. Navigating N14 Cummins Diesel Engine Shop Manual eBook Formats
 - ePub, PDF, MOBI, and More
 - N14 Cummins Diesel Engine Shop Manual Compatibility with Devices
 - N14 Cummins Diesel Engine Shop Manual Enhanced eBook Features
 7. Enhancing Your Reading Experience
 - Adjustable Fonts and Text Sizes of N14 Cummins Diesel Engine Shop Manual
 - Highlighting and Note-Taking N14 Cummins Diesel Engine Shop Manual
 - Interactive Elements N14 Cummins Diesel Engine Shop Manual
 8. Staying Engaged with N14 Cummins Diesel Engine Shop Manual
 - Joining Online Reading Communities
 - Participating in Virtual Book Clubs
 - Following Authors and Publishers N14 Cummins Diesel Engine Shop Manual
 9. Balancing eBooks and Physical Books N14 Cummins Diesel Engine Shop Manual
 - Benefits of a Digital Library
 - Creating a Diverse Reading Collection N14 Cummins Diesel Engine Shop Manual
 10. Overcoming Reading Challenges
 - Dealing with Digital Eye Strain
 - Minimizing Distractions
 - Managing Screen Time
 11. Cultivating a Reading Routine N14 Cummins Diesel Engine Shop Manual
 - Setting Reading Goals N14 Cummins Diesel Engine Shop Manual
 - Carving Out Dedicated Reading Time
 12. Sourcing Reliable Information of N14 Cummins Diesel Engine Shop Manual
 - Fact-Checking eBook Content of N14 Cummins Diesel Engine Shop Manual
 - Distinguishing Credible Sources
 13. Promoting Lifelong Learning
 - Utilizing eBooks for Skill Development

- Exploring Educational eBooks
14. Embracing eBook Trends
- Integration of Multimedia Elements
 - Interactive and Gamified eBooks

N14 Cummins Diesel Engine Shop Manual Introduction

In this digital age, the convenience of accessing information at our fingertips has become a necessity. Whether its research papers, eBooks, or user manuals, PDF files have become the preferred format for sharing and reading documents. However, the cost associated with purchasing PDF files can sometimes be a barrier for many individuals and organizations. Thankfully, there are numerous websites and platforms that allow users to download free PDF files legally. In this article, we will explore some of the best platforms to download free PDFs. One of the most popular platforms to download free PDF files is Project Gutenberg. This online library offers over 60,000 free eBooks that are in the public domain. From classic literature to historical documents, Project Gutenberg provides a wide range of PDF files that can be downloaded and enjoyed on various devices. The website is user-friendly and allows users to search for specific titles or browse through different categories. Another reliable platform for downloading N14 Cummins Diesel Engine Shop Manual free PDF files is Open Library. With its vast collection of over 1 million eBooks, Open Library has something for every reader. The website offers a seamless experience by providing options to borrow or download PDF files. Users simply need to create a free account to access this treasure trove of knowledge. Open Library also allows users to contribute by uploading and sharing their own PDF files, making it a collaborative platform for book enthusiasts. For those interested in academic resources, there are websites dedicated to providing free PDFs of research papers and scientific articles. One such website is Academia.edu, which allows researchers and scholars to share their work with a global audience. Users can download PDF files of research papers, theses, and dissertations covering a wide range of subjects. Academia.edu also provides a platform for discussions and networking within the academic community. When it comes to downloading N14 Cummins Diesel Engine Shop Manual free PDF files of magazines, brochures, and catalogs, Issuu is a popular choice. This digital publishing platform hosts a vast collection of publications from around the world. Users can search for specific titles or explore various categories and genres. Issuu offers a seamless reading experience with its user-friendly interface and allows users to download PDF files for offline reading. Apart from dedicated platforms, search engines also play a crucial role in finding free PDF files. Google, for instance, has an advanced search feature that allows users to filter results by file type. By specifying the file type as "PDF," users can find websites that offer free PDF downloads on a specific topic. While downloading N14 Cummins Diesel Engine Shop Manual free PDF files is convenient, its important to note that copyright laws must be respected. Always ensure that

the PDF files you download are legally available for free. Many authors and publishers voluntarily provide free PDF versions of their work, but its essential to be cautious and verify the authenticity of the source before downloading N14 Cummins Diesel Engine Shop Manual. In conclusion, the internet offers numerous platforms and websites that allow users to download free PDF files legally. Whether its classic literature, research papers, or magazines, there is something for everyone. The platforms mentioned in this article, such as Project Gutenberg, Open Library, Academia.edu, and Issuu, provide access to a vast collection of PDF files. However, users should always be cautious and verify the legality of the source before downloading N14 Cummins Diesel Engine Shop Manual any PDF files. With these platforms, the world of PDF downloads is just a click away.

FAQs About N14 Cummins Diesel Engine Shop Manual Books

How do I know which eBook platform is the best for me? Finding the best eBook platform depends on your reading preferences and device compatibility. Research different platforms, read user reviews, and explore their features before making a choice. Are free eBooks of good quality? Yes, many reputable platforms offer high-quality free eBooks, including classics and public domain works. However, make sure to verify the source to ensure the eBook credibility. Can I read eBooks without an eReader? Absolutely! Most eBook platforms offer webbased readers or mobile apps that allow you to read eBooks on your computer, tablet, or smartphone. How do I avoid digital eye strain while reading eBooks? To prevent digital eye strain, take regular breaks, adjust the font size and background color, and ensure proper lighting while reading eBooks. What the advantage of interactive eBooks? Interactive eBooks incorporate multimedia elements, quizzes, and activities, enhancing the reader engagement and providing a more immersive learning experience. N14 Cummins Diesel Engine Shop Manual is one of the best book in our library for free trial. We provide copy of N14 Cummins Diesel Engine Shop Manual in digital format, so the resources that you find are reliable. There are also many Ebooks of related with N14 Cummins Diesel Engine Shop Manual. Where to download N14 Cummins Diesel Engine Shop Manual online for free? Are you looking for N14 Cummins Diesel Engine Shop Manual PDF? This is definitely going to save you time and cash in something you should think about. If you trying to find then search around for online. Without a doubt there are numerous these available and many of them have the freedom. However without doubt you receive whatever you purchase. An alternate way to get ideas is always to check another N14 Cummins Diesel Engine Shop Manual. This method for see exactly what may be included and adopt these ideas to your book. This site will almost certainly help you save time and effort, money and stress. If you are looking for free books then you really should consider finding to assist you try this. Several of N14 Cummins Diesel Engine Shop Manual are for sale to free while some are payable. If you arent sure if the books you would like to download works with for usage

along with your computer, it is possible to download free trials. The free guides make it easy for someone to free access online library for download books to your device. You can get free download on free trial for lots of books categories. Our library is the biggest of these that have literally hundreds of thousands of different products categories represented. You will also see that there are specific sites catered to different product types or categories, brands or niches related with N14 Cummins Diesel Engine Shop Manual. So depending on what exactly you are searching, you will be able to choose e books to suit your own need. Need to access completely for Campbell Biology Seventh Edition book? Access Ebook without any digging. And by having access to our ebook online or by storing it on your computer, you have convenient answers with N14 Cummins Diesel Engine Shop Manual To get started finding N14 Cummins Diesel Engine Shop Manual, you are right to find our website which has a comprehensive collection of books online. Our library is the biggest of these that have literally hundreds of thousands of different products represented. You will also see that there are specific sites catered to different categories or niches related with N14 Cummins Diesel Engine Shop Manual So depending on what exactly you are searching, you will be able to choose ebook to suit your own need. Thank you for reading N14 Cummins Diesel Engine Shop Manual. Maybe you have knowledge that, people have search numerous times for their favorite readings like this N14 Cummins Diesel Engine Shop Manual, but end up in harmful downloads. Rather than reading a good book with a cup of coffee in the afternoon, instead they juggled with some harmful bugs inside their laptop. N14 Cummins Diesel Engine Shop Manual is available in our book collection an online access to it is set as public so you can download it instantly. Our digital library spans in multiple locations, allowing you to get the most less latency time to download any of our books like this one. Merely said, N14 Cummins Diesel Engine Shop Manual is universally compatible with any devices to read.

Find N14 Cummins Diesel Engine Shop Manual :

new oxford dictionary for writers and editors

[nineteenth century art a critical history download pdf ebooks about nineteenth century art a critical history or read onli](#)

[nutricion optima para la mente](#)

new testament letters st pauls an introductory commentary vol 1

[nfl predictions week one](#)

~~norman browse clinical surgery peykamw~~

novus ordo seclorum zaynur ridwan

~~numerical linear algebra trefethen homework solutions~~

nothing down for the 2000s dynamic new wealth strategies in real estate

~~nuclear physics by d c tayal~~

[open safari case study ifrs solution](#)
[oli mesin untuk yamaha diversion xj 900](#)
[on chip transformer design and modeling for fully](#)
[notes 6 advanced genetics pjteaches](#)
[ninja 150 r part katalog](#)

N14 Cummins Diesel Engine Shop Manual :

[neurotransmissions essays on psychedelics from breaking](#) - Feb 28 2023
web jul 3 2015 neurotransmissions essays on psychedelics from breaking convention strange attractor press paperback july 3 2015 by dave king author david luke author cameron adams editor dr ben sessa editor 1 more
[neurotransmissions mit press](#) - Aug 05 2023
web jul 3 2015 neurotransmissions neurotransmissions essays on psychedelics from breaking convention edited by david luke and dave king 21 95 paperback 336 pp 6 x 9 in 23 b w illus paperback 9781907222436 published july 3 2015 publisher strange attractor press 21 95 mit press bookstore
[neurotransmissions essays on psychedelics from br w](#) - Mar 20 2022
web right here we have countless ebook neurotransmissions essays on psychedelics from br and collections to check out we additionally pay for variant types and afterward type of the books to browse
psychedelic drugs neurobiology and potential for treatment of - Aug 25 2022
web sep 14 2020 renewed interest in the use of psychedelics in the treatment of psychiatric disorders warrants a better understanding of the neurobiological mechanisms underlying the effects of these substances
neurotransmissions essays on psychedelics from breaking - Jul 04 2023
web neurotransmissions essays on psychedelics from breaking convention amazon com tr kitap
neurotransmissions essays on psychedelics from amazon com br - Oct 27 2022
web compre online neurotransmissions essays on psychedelics from breaking convention de king dave sessa ben adams cameron na amazon frete grÁtis em milhares de produtos com o amazon prime encontre diversos livros escritos por king dave sessa ben adams cameron com ótimos preços
pdf neurotransmissions essays on psychedelics from - Sep 06 2023
web neurotransmissions offers a selection of essays on psychedelic consciousness spanning the sciences and humanities from philosophy and neuroscience though chemical models of action into clinical uses with a special emphasis on mdma
[neurotransmissions essays on psychedelics from br 2023](#) - Feb 16 2022

web neurotransmissions essays on psychedelics from br downloaded from graph safehousetech com by guest sierra joel oup oxford this thought provoking publication covers a wide range of innovative areas of research and technologies that are unlocking groundbreaking new potentials in science it contains important

[pdf neurotransmissions essays on psychedelics from](#) - Oct 07 2023

web jan 1 2015 neurotransmissions offers a selection of essays on psychedelic consciousness spanning the sciences and humanities from philosophy and neuroscience through chemical models of action into clinical

[neurotransmissions essays on psychedelics from breaking](#) - Jun 03 2023

web neurotransmissions presents an interdisciplinary selection of 23 essays first presented at breaking convention 2013 the 2nd international conference on psychedelic consciousness culture and clinical research held at the university of greenwich london

neurotransmissions essays on psychedelics from breaking - May 02 2023

web neurotransmissions spans the sciences and humanities from philosophy and neuroscience through chemical models of action into clinical uses with a special emphasis on mdma cross cultural approaches explore the use of psychedelics in new guinea central and south america british free festivals electronic music and backwards in time

neurotransmissions essays on psychedelics from breaking - Apr 01 2023

web jul 3 2015 an interdisciplinary selection of 23 essays first presented at breaking convention 2013 the 2nd conference on psychedelic consciousness culture and clinical research held at the university

neurotransmissions psychedelic essays from breaking convention essays - Sep 25 2022

web 3 used from 10 00 2 new from 17 59 purchase options and add ons neurotransmissions presents an interdisciplinary selection of 23 essays first presented at breaking convention 2013 the 2nd conference on psychedelic consciousness culture and clinical research held at the university of greenwich london

neurotransmissions essays on psychedelics from breaking - Jan 30 2023

web neurotransmissions presents an interdisciplinary selection of 23 essays first presented at breaking convention 2013 the 2nd international conference on psychedelic consciousness culture and clinical research held at the university of greenwich london

[neurotransmissions essays on psychedelics from breaking](#) - Jul 24 2022

web neurotransmissions presents an interdisciplinary selection of 23 essays first presented at breaking convention 2013 the 2nd conference on psychedelic consciousness culture and clinical research held at the university of greenwich london it spans the sciences and humanities from philosophy and neuroscience through to chemicals

neurotransmissions essays on psychedelics from breaking - Dec 29 2022

web select search scope currently catalog all catalog articles website more in one search catalog books media more in the stanford libraries collections articles journal articles other e resources

matthew clark academia edu - May 22 2022

web in neurotransmissions essays on psychedelics from breaking convention eds dave king david luke ben sessa cameron adams and aimee tollan pp 149 160 london strange attractor press br 8 2016

the future of mental health drugs is trip free psychedelics - Apr 20 2022

web 3 hours ago other trip free psychedelics have been around for decades if not recognized as such 2 br lsd another nonhallucinogenic analog of lsd was first synthesized in 1957 by the same chemist who

neurotransmissions essays on psychedelics from breakin - Nov 27 2022

web neurotransmissions spans the sciences and humanities from philosophy and neuroscience through chemical models of action into clinical uses with a special emphasis on mdma cross cultural approaches explore the use of psychedelics in new guinea central and south america british free festivals electronic music and backwards in time

neurotransmissions psychedelic essays from breaking convention essays - Jun 22 2022

web neurotransmissions presents an interdisciplinary selection of 23 essays first presented at breaking convention 2013 the 2nd conference on psychedelic consciousness culture and clinical research held at the university of greenwich london it spans the sciences and humanities from philosophy and neuroscience though to chemicals

a review of stroke rehabilitation and physiotherapy aha asa - Feb 22 2023

web a review of stroke rehabilitation and physiotherapy edzard ernst md phd most of the members of the therapeutic team in stroke rehabilitation take the effectiveness of physical treatments after stroke for granted yet published data show that the evidence is not so straightforward or easy to evaluate

a review of stroke rehabilitation and physiotherapy stroke - Jan 24 2023

web jul 1 1990 most of the members of the therapeutic team in stroke rehabilitation take the effectiveness of physical treatments after stroke for granted yet published data show that the evidence is not so straightforward or easy to evaluate

pdf rehabilitation after stroke researchgate - Sep 19 2022

web sep 1 2011 paresis of the upper limb ul is the most frequent impairment after stroke with a prevalence of 80 1 2 in the more severe cases the ul cannot be used in a functional way and the level of

stroke rehabilitation istanbul rehabilitation academy - Mar 14 2022

web in order to have a successful treatment of stroke a neurorehabilitation robotic rehabilitation centre under an expert physical therapy and rehabilitation specialist will be a suitable option rehabilitation of stroke is a team work this team is consisted of the specialized health workers in the field of paralysis treatment

a comprehensive review of physical therapy interventions for stroke - Jun 28 2023

web apr 25 2023 there are limited studies that describe the application of physical therapy interventions to prevent disabilities in stroke survivors and promote recovery after a stroke in this review we have described a wide range of interventions based on impairments activity limitations and goals in recovery during different stages of a stroke
[repetitions and dose in stroke rehabilitation sciencedirect](#) - Aug 19 2022

web jun 7 2021 stroke is the second most common cause of death globally 4 although stroke incidence has declined over time the overall stroke burden ie absolute number of people affected or disabled by stroke has increased globally 5 in the community as well as during inpatient rehabilitation people with stroke typically achieve very low levels of any
a comprehensive review of physical therapy interventions for stroke - Mar 26 2023

web apr 25 2023 in a nutshell post stroke rehabilitative treatment and physical therapy interventions are essential for enhancing recovery and improving quality of life for stroke patients a comprehensive approach that addresses the physical occupational and speech therapy needs of each patient can help maximize their functional abilities and promote
stroke rehabilitation an issue of physical medi 9780323413480 - Oct 01 2023

web this issue of physical medicine rehabilitation clinics will focus on stroke rehabilitation and will include articles such as mechanisms of stroke recovery insights from basic sciences stroke recovery and predictors of rehabilitation outcomes upper limb motor impairments post stroke spasticity communication disorders and dysphagia

stroke rehabilitation an issue of physical medicine and rehabilitation - Aug 31 2023

web nov 11 2015 this issue of physical medicine rehabilitation clinics will focus on stroke rehabilitation and will include articles such as mechanisms of stroke recovery insights from basic

stroke rehabilitation an issue of physical medici beta atanet - Feb 10 2022

web 2 stroke rehabilitation an issue of physical medici 2022 03 12 billions of dollars are spent on stroke related rehabilitation research and treatment techniques but most are not well

[stroke rehabilitation in turkey check prices reviews](#) - May 16 2022

web stroke rehabilitation prices from 1198 enquire for a fast quote choose from 12 stroke rehabilitation clinics in turkey with 17 verified patient reviews since 2007 our experienced team has not only provided services to thousands of patients with physical medicine and rehabilitation but also treated many statesmen by the reason of

[evidence of chronic stroke rehabilitation minerva medica](#) - Oct 21 2022

web evidence of chronic stroke rehabilitation interventions in activities and participation outcomes systematic review of meta analyses of randomized controlled trials european journal of physical and rehabilitation medicine 2019 december 55 6 695 709 minerva medica journals

a systematic review of physical rehabilitation interventions for stroke - Dec 23 2022

web low cost physical rehabilitation interventions requiring minimal resources can improve functional outcomes after stroke in low and lower middle income countries exercise based interventions can improve upper limb lower limb gait and balance outcomes after stroke

physical medicine and rehabilitation consultation for stroke - Apr 26 2023

web objective the aim of the study was to determine whether stroke patients who receive physical medicine and rehabilitation consultation in acute care setting are more likely to discharge from inpatient rehabilitation facility to a

stroke recovery and rehabilitation research stroke - Nov 21 2022

web feb 7 2017 from the departments of neurology anatomy and neurobiology s c c and physical medicine and rehabilitation s c c and the sue and bill gross stem cell research center s c c university of california irvine division of physical therapy department of rehabilitation medicine emory university school of medicine atlanta

stroke rehabilitation an issue of physical medici 2023 - Jun 16 2022

web stroke rehabilitation an issue of physical medici textbook of neural repair and rehabilitation pediatric rehabilitation an issue of physical medicine and rehabilitation clinics of north america stroke rehabilitation e book stroke rehabilitation medical aspects of disability for the rehabilitation professional fifth

healthcare settings for rehabilitation after stroke - May 28 2023

web jan 15 2021 in hyperacute setting the stroke care team ought to include at least a physician with expertise in stroke rehabilitation speech and language pathologist therapist with expertise in swallow and early communication techniques physical therapist occupational therapist and stroke care trained nurse specialists boulanger et al 2018

a systematic review of physical rehabilitation interventions for stroke - Jul 18 2022

web purpose approximately 70 of strokes occur in low and middle income countries yet the effectiveness of physical rehabilitation in these contexts remains undetermined this systematic review identifies and summarises the current evidence supporting physical rehabilitation interventions post stroke in low and lower middle income countries

stroke rehabilitation an issue of physical medici pdf - Jul 30 2023

web stroke rehabilitation an issue of physical medici sociocultural issues in sport and physical activity oct 01 2021 this work explores the intersections between modern physical activity and society it applies social theory to a broad range of physical activities such as sports fitness dance weightlifting and others

stroke rehabilitation an issue of physical medici ai classmonitor - Apr 14 2022

web stroke rehabilitation an issue of physical medicine and rehabilitation clinics of north america 26 4 stroke rehabilitation pathy s principles and practice of geriatric medicine

vokabelheft russisch vokabeln lernen dank praktischem - Aug 03 2022

web sep 18 2022 amazon com vokabelheft russisch vokabeln lernen dank praktischem Übungsheft 3 spalten german edition dai juseur books

vokabelheft russisch vokabelheft 2 spalten zweiseitig mit - Jan 08 2023

web nov 3 2021 vokabelheft russisch vokabelheft 2 spalten zweiseitig mit softcover platz für 2975 vokabeln 120 seiten ca a5 german edition l c on amazon com free shipping on qualifying offers

heft leo Übersetzung im russisch deutsch wörterbuch - Mar 30 2022

web russisch deutsch leo org startseite zur mobilen version wechseln leo org ihr wörterbuch im internet für russisch deutsch Übersetzungen mit forum vokabeltrainer und sprachkursen natürlich auch als app wörterbuchnavigation

vokabelheft russisch mit 2 spalten amazon com tr - Aug 15 2023

web vokabelheft russisch mit 2 spalten 120 seiten liniert vokabeln lernen zweiseitiges buch russisches motiv ca din a5 vokabelhefte amique amazon com tr kitap

vokabelheft für russisch vokabeln 2 spalten mit persö - Sep 04 2022

web vokabelheft für russisch vokabeln 2 spalten mit persönlicher lernkontrolle 1700 zeilen format ca 20 x 25 5 cm 100 seiten *vokabelheft russisch vokabelbuch dreiseitig din a4 i* - Nov 06 2022

web jun 19 2021 vokabelheft russisch vokabelbuch dreiseitig din a4 i vokabeln lernen für russland i 110 seiten mit inhaltsverzeichnis russa sebastian 9798523518454 books amazon ca

mein vokabelheft zum russisch lernen blanko vokabelbuch zum - Feb 09 2023

web mein vokabelheft zum russisch lernen blanko vokabelbuch zum lernen der russischen sprache und ihrer vokabeln florales muster geschenk nicht nur für frauen und mädchen sprachenbuch en lettres amazon com tr kitap

vokabelheft russisch deutsch buch mit zwei auszufüllenden - Dec 27 2021

web vokabelheft russisch deutsch buch mit zwei auszufüllenden spalten nummerierte seiten index praktisches format 15 2x22 8 cm 100 seiten lba editions amazon com tr kitap

□ **vokabelheft synonym 10 x anderes wort und synonyme für vokabelheft** - Jan 28 2022

web die synonyme für vokabelheft sind zwischen 5 und 17 buchstaben lang das kürzeste synonym für vokabelheft lautet lexik und das längste synonym heißt wörterverzeichnis welche bedeutungen und verwandten wörter hat das wort vokabelheft

vokabelheft russisch vokabelbuch dreiseitig din a4 i - Jul 14 2023

web vokabelheft russisch vokabelbuch dreiseitig din a4 i vokabeln lernen für russland i 110 seiten mit inhaltsverzeichnis russa sebastian amazon com tr kitap

vokabelheft vokabeln lernen mit dem vokabelheft vokabeln net - Feb 26 2022

web vokabelheft ob in der schule an der universität oder der volkshochschule jeder der eine fremdsprache erlernen will muss auch zwangsläufig vokabeln lernen denn nur so kann ein entsprechender wortschatz aufgebaut werden um sich später einmal in der neuen sprache ausdrücken zu können

vokabelheft russland russisch vokabelheft a5 120 seiten - Dec 07 2022

web vokabelheft russland russisch vokabelheft a5 120 seiten zwei spalten sprachen einfach üben und lernen i fremdsprachen englisch französisch geschenkidee zum start ins neue schuljahr design calsign amazon com tr kitap

vokabelheft russisch 100 seiten liniert zweiseitig - Oct 05 2022

web vokabelheft in ca din a5 format 14 8 x 0 4 x 21 cm perfekt f r die schule das studium oder vokabelheft russisch 100 seiten liniert zweiseitig ca din a5 by meine vokabelhefte goodreads

slovar russisch vokabelheft hoenack anneliese amazon de - Mar 10 2023

web slovar russisch vokabelheft hoenack anneliese isbn 9783061200169 kostenloser versand für alle bücher mit versand und verkauf duch amazon

vokabelheft russisch vokabeln trainieren mit erfolgstracker - Jun 13 2023

web vokabelheft russisch vokabeln trainieren mit erfolgstracker und inhaltsverzeichnis systematisch zum sicheren grundwortschatz 3 spalten mit inhaltsverzeichnis 120 seiten im format b5 18 x25cm vokabelhefte fremdsprachen amazon com tr kitap

russisch vokabelheft german edition by ada abels goodreads - Jun 01 2022

web beschreibungdein neues lieblings vokabelheft hat 100 seiten eine gröÙe von 21 59cm 27 94cm russisch vokabelheft german edition by ada abels goodreads home

vokabeltrainer download russisch vokabeln - Apr 30 2022

web oct 9 2005 die vokabeldatei russisch alltag ist eine kostenlose zusatzdatei zum vokabeltrainer von langenscheidt mit diesem vokabeltrainer können sie die hier aufgelisteten vokabeln mit vielen verschiedenen funktionen trainieren z b karteikartensystem prüfungsmodus multiple choice kreuzworträtsel superlearning

häfft shop vokabel häfft russisch online kaufen - Apr 11 2023

web vokabel häfft russisch dostojewski tolstoi nabokov diese russischen schreiberlinge haben ganze romane mit kyrillischen hieroglyphen geschrieben und ihr braucht schon ewig um ein einziges wort zu

vokabelheft für russisch vokabeln 2 spalten mit persönlicher - May 12 2023

web vokabelheft für russisch vokabeln 2 spalten mit persönlicher lernkontrolle 1700 zeilen format ca 20 x 25 5 cm 100 seiten rivers daisy amazon com tr kitap

russian online net schreibheft russisch Прописи - Jul 02 2022

web in diesem schreibheft haben wir lektionen zusammengefasst die es deutschen muttersprachler erleichtern die russischen schreibbuchstaben zu erlernen mit hilfe dieses schreibheftes können sie nicht nur auf russisch schreiben üben sondern auch handschriftliche und kursiv texte lesen lernen