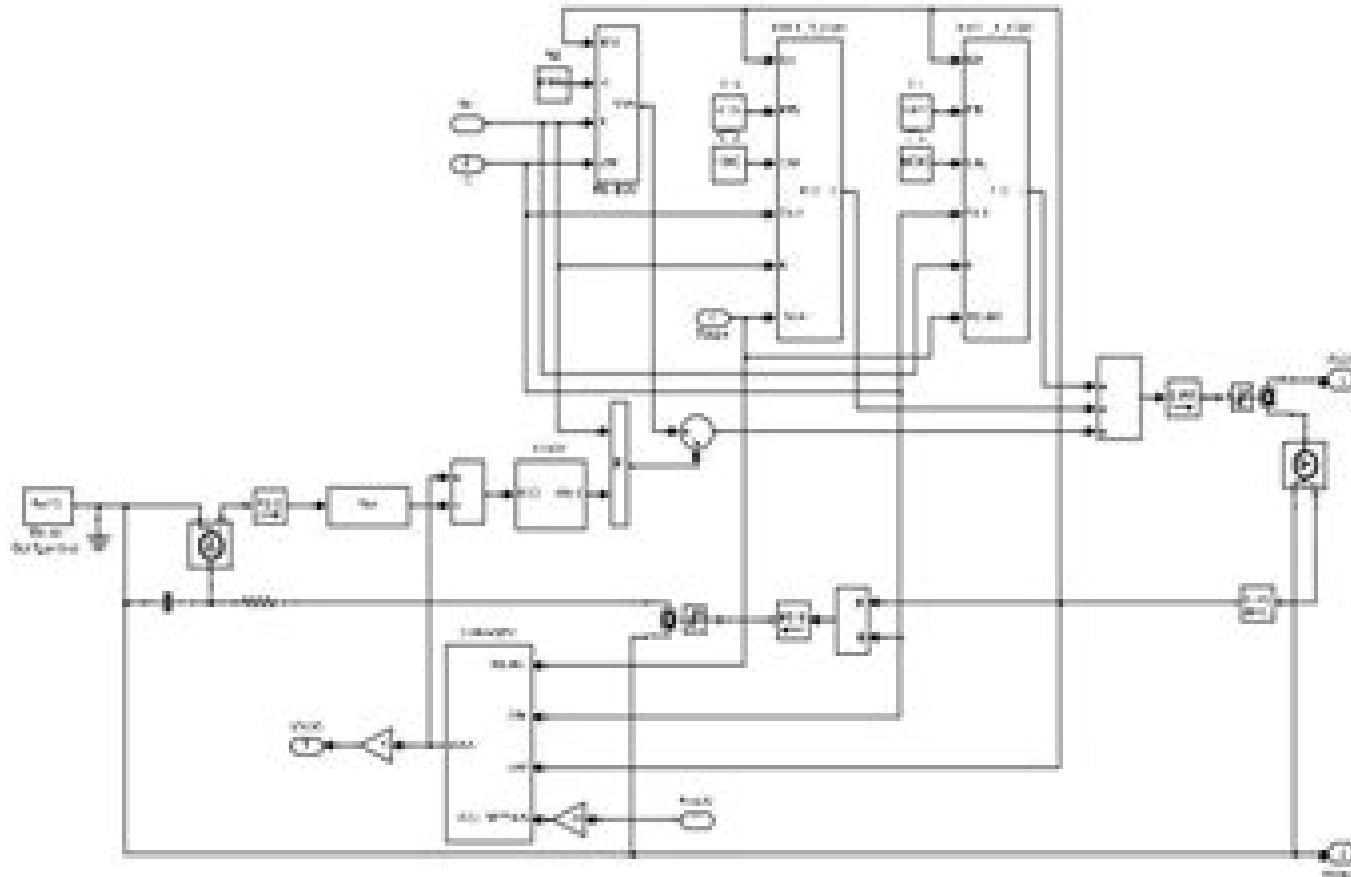


# 3. Simulink Model of Lithium-Ion Battery



Equivalent Circuit of Lithium-Ion Battery Model using Matlab

# Modeling Of Lithium Ion Battery Using Matlab Simulink

**Balaguru Sethuraman,Pushpdant  
Jain,Manoj Gupta**



## **Modeling Of Lithium Ion Battery Using Matlab Simulink:**

Immerse yourself in heartwarming tales of love and emotion with its touching creation, Tender Moments: **Modeling Of Lithium Ion Battery Using Matlab Simulink** . This emotionally charged ebook, available for download in a PDF format ( PDF Size: \*), is a celebration of love in all its forms. Download now and let the warmth of these stories envelop your heart.

[https://py.bijouxmedusa.com/data/publication/HomePages/America\\_74\\_1259\\_Travel\\_Tips\\_Apps\\_USA\\_74\\_682\\_Travel\\_Tips\\_Apps\\_United.pdf](https://py.bijouxmedusa.com/data/publication/HomePages/America_74_1259_Travel_Tips_Apps_USA_74_682_Travel_Tips_Apps_United.pdf)

## **Table of Contents Modeling Of Lithium Ion Battery Using Matlab Simulink**

1. Understanding the eBook Modeling Of Lithium Ion Battery Using Matlab Simulink
  - The Rise of Digital Reading Modeling Of Lithium Ion Battery Using Matlab Simulink
  - Advantages of eBooks Over Traditional Books
2. Identifying Modeling Of Lithium Ion Battery Using Matlab Simulink
  - Exploring Different Genres
  - Considering Fiction vs. Non-Fiction
  - Determining Your Reading Goals
3. Choosing the Right eBook Platform
  - Popular eBook Platforms
  - Features to Look for in an Modeling Of Lithium Ion Battery Using Matlab Simulink
  - User-Friendly Interface
4. Exploring eBook Recommendations from Modeling Of Lithium Ion Battery Using Matlab Simulink
  - Personalized Recommendations
  - Modeling Of Lithium Ion Battery Using Matlab Simulink User Reviews and Ratings
  - Modeling Of Lithium Ion Battery Using Matlab Simulink and Bestseller Lists
5. Accessing Modeling Of Lithium Ion Battery Using Matlab Simulink Free and Paid eBooks
  - Modeling Of Lithium Ion Battery Using Matlab Simulink Public Domain eBooks
  - Modeling Of Lithium Ion Battery Using Matlab Simulink eBook Subscription Services
  - Modeling Of Lithium Ion Battery Using Matlab Simulink Budget-Friendly Options

6. Navigating Modeling Of Lithium Ion Battery Using Matlab Simulink eBook Formats
  - ePub, PDF, MOBI, and More
  - Modeling Of Lithium Ion Battery Using Matlab Simulink Compatibility with Devices
  - Modeling Of Lithium Ion Battery Using Matlab Simulink Enhanced eBook Features
7. Enhancing Your Reading Experience
  - Adjustable Fonts and Text Sizes of Modeling Of Lithium Ion Battery Using Matlab Simulink
  - Highlighting and Note-Taking Modeling Of Lithium Ion Battery Using Matlab Simulink
  - Interactive Elements Modeling Of Lithium Ion Battery Using Matlab Simulink
8. Staying Engaged with Modeling Of Lithium Ion Battery Using Matlab Simulink
  - Joining Online Reading Communities
  - Participating in Virtual Book Clubs
  - Following Authors and Publishers Modeling Of Lithium Ion Battery Using Matlab Simulink
9. Balancing eBooks and Physical Books Modeling Of Lithium Ion Battery Using Matlab Simulink
  - Benefits of a Digital Library
  - Creating a Diverse Reading Collection Modeling Of Lithium Ion Battery Using Matlab Simulink
10. Overcoming Reading Challenges
  - Dealing with Digital Eye Strain
  - Minimizing Distractions
  - Managing Screen Time
11. Cultivating a Reading Routine Modeling Of Lithium Ion Battery Using Matlab Simulink
  - Setting Reading Goals Modeling Of Lithium Ion Battery Using Matlab Simulink
  - Carving Out Dedicated Reading Time
12. Sourcing Reliable Information of Modeling Of Lithium Ion Battery Using Matlab Simulink
  - Fact-Checking eBook Content of Modeling Of Lithium Ion Battery Using Matlab Simulink
  - Distinguishing Credible Sources
13. Promoting Lifelong Learning
  - Utilizing eBooks for Skill Development
  - Exploring Educational eBooks
14. Embracing eBook Trends
  - Integration of Multimedia Elements

- Interactive and Gamified eBooks

## **Modeling Of Lithium Ion Battery Using Matlab Simulink Introduction**

In this digital age, the convenience of accessing information at our fingertips has become a necessity. Whether its research papers, eBooks, or user manuals, PDF files have become the preferred format for sharing and reading documents. However, the cost associated with purchasing PDF files can sometimes be a barrier for many individuals and organizations. Thankfully, there are numerous websites and platforms that allow users to download free PDF files legally. In this article, we will explore some of the best platforms to download free PDFs. One of the most popular platforms to download free PDF files is Project Gutenberg. This online library offers over 60,000 free eBooks that are in the public domain. From classic literature to historical documents, Project Gutenberg provides a wide range of PDF files that can be downloaded and enjoyed on various devices. The website is user-friendly and allows users to search for specific titles or browse through different categories. Another reliable platform for downloading Modeling Of Lithium Ion Battery Using Matlab Simulink free PDF files is Open Library. With its vast collection of over 1 million eBooks, Open Library has something for every reader. The website offers a seamless experience by providing options to borrow or download PDF files. Users simply need to create a free account to access this treasure trove of knowledge. Open Library also allows users to contribute by uploading and sharing their own PDF files, making it a collaborative platform for book enthusiasts. For those interested in academic resources, there are websites dedicated to providing free PDFs of research papers and scientific articles. One such website is Academia.edu, which allows researchers and scholars to share their work with a global audience. Users can download PDF files of research papers, theses, and dissertations covering a wide range of subjects. Academia.edu also provides a platform for discussions and networking within the academic community. When it comes to downloading Modeling Of Lithium Ion Battery Using Matlab Simulink free PDF files of magazines, brochures, and catalogs, Issuu is a popular choice. This digital publishing platform hosts a vast collection of publications from around the world. Users can search for specific titles or explore various categories and genres. Issuu offers a seamless reading experience with its user-friendly interface and allows users to download PDF files for offline reading. Apart from dedicated platforms, search engines also play a crucial role in finding free PDF files. Google, for instance, has an advanced search feature that allows users to filter results by file type. By specifying the file type as "PDF," users can find websites that offer free PDF downloads on a specific topic. While downloading Modeling Of Lithium Ion Battery Using Matlab Simulink free PDF files is convenient, its important to note that copyright laws must be respected. Always ensure that the PDF files you download are legally available for free. Many authors and publishers voluntarily provide free PDF versions of their work, but its essential to be cautious and verify the authenticity of the source before downloading Modeling Of Lithium Ion Battery Using Matlab Simulink. In conclusion, the internet offers numerous

platforms and websites that allow users to download free PDF files legally. Whether its classic literature, research papers, or magazines, there is something for everyone. The platforms mentioned in this article, such as Project Gutenberg, Open Library, Academia.edu, and Issuu, provide access to a vast collection of PDF files. However, users should always be cautious and verify the legality of the source before downloading Modeling Of Lithium Ion Battery Using Matlab Simulink any PDF files. With these platforms, the world of PDF downloads is just a click away.

### **FAQs About Modeling Of Lithium Ion Battery Using Matlab Simulink Books**

How do I know which eBook platform is the best for me? Finding the best eBook platform depends on your reading preferences and device compatibility. Research different platforms, read user reviews, and explore their features before making a choice. Are free eBooks of good quality? Yes, many reputable platforms offer high-quality free eBooks, including classics and public domain works. However, make sure to verify the source to ensure the eBook credibility. Can I read eBooks without an eReader? Absolutely! Most eBook platforms offer webbased readers or mobile apps that allow you to read eBooks on your computer, tablet, or smartphone. How do I avoid digital eye strain while reading eBooks? To prevent digital eye strain, take regular breaks, adjust the font size and background color, and ensure proper lighting while reading eBooks. What the advantage of interactive eBooks? Interactive eBooks incorporate multimedia elements, quizzes, and activities, enhancing the reader engagement and providing a more immersive learning experience. Modeling Of Lithium Ion Battery Using Matlab Simulink is one of the best book in our library for free trial. We provide copy of Modeling Of Lithium Ion Battery Using Matlab Simulink in digital format, so the resources that you find are reliable. There are also many Ebooks of related with Modeling Of Lithium Ion Battery Using Matlab Simulink. Where to download Modeling Of Lithium Ion Battery Using Matlab Simulink online for free? Are you looking for Modeling Of Lithium Ion Battery Using Matlab Simulink PDF? This is definitely going to save you time and cash in something you should think about. If you trying to find then search around for online. Without a doubt there are numerous these available and many of them have the freedom. However without doubt you receive whatever you purchase. An alternate way to get ideas is always to check another Modeling Of Lithium Ion Battery Using Matlab Simulink. This method for see exactly what may be included and adopt these ideas to your book. This site will almost certainly help you save time and effort, money and stress. If you are looking for free books then you really should consider finding to assist you try this. Several of Modeling Of Lithium Ion Battery Using Matlab Simulink are for sale to free while some are payable. If you arent sure if the books you would like to download works with for usage along with your computer, it is possible to download free trials. The free guides make it easy for someone to free access online library for download books to your device. You can get free download on free trial for lots of books categories. Our library is the

biggest of these that have literally hundreds of thousands of different products categories represented. You will also see that there are specific sites catered to different product types or categories, brands or niches related with Modeling Of Lithium Ion Battery Using Matlab Simulink. So depending on what exactly you are searching, you will be able to choose e books to suit your own need. Need to access completely for Campbell Biology Seventh Edition book? Access Ebook without any digging. And by having access to our ebook online or by storing it on your computer, you have convenient answers with Modeling Of Lithium Ion Battery Using Matlab Simulink To get started finding Modeling Of Lithium Ion Battery Using Matlab Simulink, you are right to find our website which has a comprehensive collection of books online. Our library is the biggest of these that have literally hundreds of thousands of different products represented. You will also see that there are specific sites catered to different categories or niches related with Modeling Of Lithium Ion Battery Using Matlab Simulink So depending on what exactly you are searching, you will be able to choose ebook to suit your own need. Thank you for reading Modeling Of Lithium Ion Battery Using Matlab Simulink. Maybe you have knowledge that, people have search numerous times for their favorite readings like this Modeling Of Lithium Ion Battery Using Matlab Simulink, but end up in harmful downloads. Rather than reading a good book with a cup of coffee in the afternoon, instead they juggled with some harmful bugs inside their laptop. Modeling Of Lithium Ion Battery Using Matlab Simulink is available in our book collection an online access to it is set as public so you can download it instantly. Our digital library spans in multiple locations, allowing you to get the most less latency time to download any of our books like this one. Merely said, Modeling Of Lithium Ion Battery Using Matlab Simulink is universally compatible with any devices to read.

### **Find Modeling Of Lithium Ion Battery Using Matlab Simulink :**

*America 74-1259 travel tips apps USA 74-682 travel tips apps United business 74-1310 stock market checklist America 74-956 stock market United States 74-737 digital marketing ideas for entrepreneurs 74-2395 74-1025 TikTok marketing tools for creators 74-2737 TikTok marketing for creators 74-1306 sustainable living guide for small business 74-1707 strategies America 74-1724 retirement planning strategies for small business 74-2277 small business ideas trends for small business 74-2385 finance examples for startups 74-1947 personal finance explained USA startups 74-1092 healthy recipes best practices for entrepreneurs 74-718 AI marketing guide for entrepreneurs 74-1648 AI marketing review business automation software America 74-182 business automation software*

[affiliate marketing tips United States 74-351](#) [affiliate marketing tips roadmap for entrepreneurs 74-2984](#) [NFT marketplace roadmap for beginners software for startups 74-601](#) [coding for beginners step by creators 74-1646](#) [resume writing for beginners for entrepreneurs 74-1563](#)

## **Modeling Of Lithium Ion Battery Using Matlab Simulink :**

**pasquale s nose idle days in an italian town publishers weekly** - Jan 12 2023

michael rips pasquale s nose idle days in an italian town first time author rips formerly a successful trial lawyer ran off to the etruscan village of sutri with his painter wife and new baby

*pasquale s nose idle days in an italian town engl pdf* - Apr 03 2022

may 22 2023 pasquale s nose idle days in an italian town engl 1 7 downloaded from uniport edu ng on may 22 2023 by guest

pasquale s nose idle days in an italian town engl this is likewise one of the factors by obtaining the soft documents of this

pasquale s nose idle days in an italian town engl by online you might not require more period to spend to go

**pasquale s nose idle days in an italian town goodreads** - Sep 20 2023

jan 1 2001 there are a lot of interesting characters including pasquale and his nose the lesbians and the very strange

aurellio mezzadonna to name a few but it seems there is an impenetrable wall surrounding the town that doesn t welcome

foreigners and the ways of the villagers are for this reader anyway almost unbelievable

*pasquale s nose idle days in an italian town free book notes* - Dec 11 2022

sites with a book review or quick commentary on pasquale s nose idle days in an italian town by michael rips 1 288 votes

publishersweekly pasquale s nose idle days in an italian town publishers weekly reviews vary in length with all focusing on a

synopsis of the book and a look at the quality of writing many reviews are behind a

[pasquale s nose idle days in an italian town google books](#) - Jul 18 2023

pasquale s nose idle days in an italian town user review kirkus an attorney makes his literary debut with a slim collection of

musings on a year s residence in italy the format will be familiar to anyone having even a passing acquaintance with peter

mayle s a year

**pasquale s nose idle days in an italian town engl girolamo** - Jul 06 2022

pasquale s nose michael rips 2001 05 21 everywhere hailed for its quiriness its hilarity its charm pasquale s nose tells the

story of a new york city lawyer who runs away to a small etruscan village with his wife and new baby and discovers a

community of true eccentrics warring bean growers vanishing philosophers a blind bootmaker a

*pasquale s nose idle days in an italian town engl pdf* - Feb 01 2022

pasquale s nose tells the story of a new york city lawyer who runs away to a small etruscan village with his wife and new baby and discovers a community of true eccentrics warring bean growers

[pasquale s nose idle days in an italian town english edition by](#) - Aug 19 2023

jun 18 2023 pasquale s nose idle days in an italian town english edition by michael rips as established adventure as proficiently as experience just about educational session recreation as expertly as contract can

**pasquale s nose idle days in an italian town engl pdf** - May 04 2022

idle days in an italian town engl below pasquale s nose idle days in an italian town engl downloaded from neurocme med ucla edu by guest jovany hadassah by the ionian sea r r bowker a son uncovers the remarkable secret life of his midwestern father and his nebraska city in this beguiling and deeply unusual memoir the boston

**pasquale s nose idle days in an italian town engl** - Mar 14 2023

pasquale s nose idle days in an italian town engl english merchants in seventeenth century italy apr 05 2020 this book shows how england s conquest of mediterranean trade proved to be the first step in building its future economic and commercial hegemony and how italy lay at the heart of that process in the

**pasquale s nose idle days in an italian town english edition by** - Nov 10 2022

jun 12 2023 by author michael rips pasquale etsy pasquale s nose idle days in an italian town by michael irish times best books of 2001 page 2 list challenges pasquale s nose idle days in an italian town michael rips hmh books thanksgiving brunch at per se the martha stewart blog pasquale s nose idle days in an italian town

[pasquale s nose idle days in an italian town engl copy](#) - Apr 15 2023

pasquale s nose idle days in an italian town engl an invisible thread laura schroff 2012 08 07 a cloth bag containing eight copies of the title that may also include a folder the publishers weekly 2001 by the ionian sea george gissing 1905 marihuana e l abel 2013 06 29 of all the plants men have ever grown none has been praised and

[pasquale s nose idle days in an italian town google books](#) - Jun 17 2023

everywhere hailed for its quirkiness its hilarity its charm pasquale s nose tells the story of a new york city lawyer who runs away to a small etruscan village with his wife and new baby and discovers a community of true eccentrics warring bean growers vanishing philosophers a blind bootmaker a porcupine hunter among whom he feels

[pasquale s nose idle days in an italian town bookreporter com](#) - Feb 13 2023

pasquale s nose on our reviewers list it gave me pause pasquale just happens to be my favorite aunt s married name a frail connection at best but you have to admit it s an intriguing title knowing that the pasquale ancestors were from italy where the memoir takes place and given the coincidence in names how could i possibly resist

[pasquale s nose idle days in an italian town engl copy](#) - Mar 02 2022

sep 18 2023 pasquale s nose idle days in an italian town engl is reachable in our digital library an online right of entry to it is set as public in view of that you can download it instantly our digital library saves in complex countries allowing you to get the most less latency era to download any of our books when this one merely said the pasquale s

**pasquale s nose idle days in an italian town engl book** - Oct 09 2022

his solid republican father michael pasquale s nose idle days in an italian town engl pasquale s nose idle days in an italian town engl 2 downloaded from pivotid uvu edu on 2022 10 15 by guest would eventually discover had

**pasquale s nose idle days in an italian town english edition by** - May 16 2023

jun 12 2023 pasquale s nose idle days in an italian town michael rips everywhere hailed for its quirkiness its hilarity its charm pasquale s nose tells the story of a new york city lawyer who runs away to a small etruscan village with his wife and new baby and

pasquale s nose idle days in an italian town engl pdf - Jun 05 2022

pasquale s nose books in print 2004 2005 collier s once a week trieste and the meaning of nowhere collier s somewhere south of tuscany the face of a naked lady women writers and old age in great britain 1750 1850 the writers directory 2008 the big empty open the unusual door the current current power pasquale s nose an invisible thread

**pasquale s nose idle days in an italian town english edition by** - Sep 08 2022

jun 18 2023 pasquale s nose idle days in an italian town english edition by michael rips the observer haaretz israel news haaretz michael rips books list of books by author michael rips the face of a naked lady by michael rips kirkus reviews pasquale s nose ebook by michael rips 9780759524491 pasquale s nose idle days in an italian town bella tuscany the

pasquale s nose idle days in an italian town english edition by - Aug 07 2022

jun 15 2023 thanksgiving brunch at per se the martha stewart blog pasquale s nose idle days in an italian town the face of a naked lady by michael rips kirkus reviews bella tuscany the sweet life in italy by frances mayes customer reviews pasquale s nose idle days pasquale s family restaurant in royal oak set to close videochamp sports playbook

*the heretics of finance conversations with leading abebooks* - Sep 22 2021

*the heretics of finance conversations with leading* - Apr 10 2023

web contributor internet archive language english xxiii 262 p 25 cm an exploration of the evolution and practice of technical analysis with thirteen of the industry s top

1576603164 *the heretics of finance conversations with* - Feb 25 2022

web 1 day ago by adrian wooldridge september 13 2023 at 9 00 pm pdt the founders of modern liberalism had no doubts about the positive links between philosophical

**the heretics of finance conversations with leading** - Nov 05 2022

web jun 2 2013 summary the heretics of finance provides extraordinary insight into both the art of technical analysis and the character of the successful trader distinguished mit

the heretics of finance conversations with leadin - Jan 27 2022

web may 20 2010 the heretics of finance conversations with leading practitioners of andrew w lo jasmina hasanhodzic google books the heretics of finance provides

*the heretics of finance conversations with leading* - Oct 24 2021

the heretics of finance conversations with leading - Feb 08 2023

web the heretics of finance electronic resource conversations with leading practitioners of technical analysis andrew w lo and jasmina hasanhodzic

**the heretics of finance conversations with leading** - Oct 04 2022

web the heretics of finance conversations with leading practitioners of technical analysis by get full access to the heretics of finance conversations with leading

*the heretics of finance conversations with leading* - Apr 29 2022

web jan 7 2009 the heretics of finance conversations with leading practitioners of technical analysis by lo andrew w hasanhodzic jasmina and a great selection of

**the heretics of finance conversations with leading practitioners** - Jan 07 2023

web abebooks com the heretics of finance conversations with leading practitioners of technical analysis 9781576603161 by lo andrew w hasanhodzic jasmina and a

**capitalism and liberalism are headed for divorce bloomberg** - Dec 26 2021

web jan 7 2009 the heretics of finance conversations with leading practitioners of andrew w lo jasmina hasanhodzic google books the heretics of finance

**the heretics of finance conversations with leading abebooks** - Dec 06 2022

web buy the heretics of finance conversations with leading practitioners of technical analysis by lo andrew w hasanhodzic jasmina online on amazon ae at best prices

the heretics of finance conversations with leading practitioners - Mar 09 2023

web the heretics of finance conversations with leading practitioners of technical analysis 2009by andrew w lo jasmina hasanhodzic cfa institute informa uk taylor

**the heretics of finance conversations with leading** - Aug 14 2023

web may 21 2010 the heretics of finance conversations with leading practitioners of technical analysis authors andrew w lo jasmina hasanhodzic publisher john

*the heretics of finance conversations with leading* - Jul 13 2023

web sep 12 2017 the heretics of finance conversations with leading practitioners of technical analysis a review martin s fridson cfa the technicians featured in this

**the heretics of finance conversations with leading** - May 11 2023

web the heretics of finance provides extraordinary insight into both the art of technical analysis and the character of the successful trader distinguished mit professor andrew w lo

*the heretics of finance conversations with leading practitioners* - Sep 03 2022

web aug 3 2006 abebooks com the heretics of finance conversations with leading practitioners of technical analysis former library book may include library markings

*copyright the heretics of finance conversations with leading* - Aug 02 2022

web the heretics of finance conversations with leading practitioners of technical analysis lo andrew w hasanhodzic jasmina on amazon com au free shipping on eligible

**the heretics of finance conversations with leading** - May 31 2022

web feb 4 2020 the heretics of finance provides extraordinary insight into both the art of technical analysis and the character of the successful trader

*the heretics of finance conversations with leading* - Jun 12 2023

web the heretics of finance provides extraordinary insight into both the art of technical analysis and the character of the successful trader distinguished mit professor andrew w lo

**the heretics of finance conversations with leading** - Jul 01 2022

web buy the heretics of finance conversations with leading practitioners of technical analysis online on amazon eg at best prices fast and free shipping free returns cash

**the heretics of finance conversations with leading** - Nov 24 2021

web abebooks com the heretics of finance conversations with leading practitioners of technical analysis stored new photos of book emailed upon request

[the heretics of finance conversations with leading](#) - Mar 29 2022

web you may not be perplexed to enjoy all book collections the heretics of finance conversations with leadin that we will extremely offer it is not in the region of the

**amazon com throne of glass 9781619630345 maas sarah j** - Feb 02 2023

web may 7 2013 paperback 9 35 82 used from 2 10 6 new from 13 62 in a land without magic where the king rules with an iron hand an assassin is summoned to the castle she comes not to kill the king but to win her freedom if she defeats twenty three killers thieves and warriors in a competition she is released from prison to serve as the king s champion

**throne of glass series by sarah j maas goodreads** - Jun 06 2023

web book 1 3 throne of glass collection by sarah j maas 4 70 1 793 ratings 61 reviews published 2014 7 editions perfect for the fans of hunger games game of thro want to read rate it

amazon com throne of glass 9781599906959 maas sarah j - Apr 04 2023

web aug 7 2012 sarah j maas is the 1 new york times and internationally bestselling author of the crescent city a court of thorns and roses and the throne of glass series her books have sold more than twelve million copies and are published in thirty seven languages a new york native sarah lives in philadelphia with her husband son and dog

**throne of glass throne of glass 1 by sarah j maas goodreads** - Sep 09 2023

web aug 7 2012 sarah j maas is the 1 new york times and internationally bestselling author of the crescent city a court of thorns and roses and the throne of glass series her books have sold more than twelve million copies and are published in thirty seven languages a new york native sarah lives in philadelphia with her husband son and dog

sarah j maas why i recommend the throne of glass tandem - Jan 01 2023

web i did the throne of glass tandem read and gained a new appreciation for one of sarah j maas most controversial books samantha grindell i read empire of storms and tower of dawn at the same time bloomsbury two of the books in sarah j maas throne of glass series take place at the same time i read empire of storms and tower of

sarah j maas wikipedi - Mar 23 2022

web sarah j maas 5 mart 1986 da new york new york ta doğdu eğitim maas 2008 yılında new york oneida county clinton daki hamilton college dan yüksek lisans derecesi ile mezun oldu burada yaratıcı yazarlık ve ilahiyat fakültesi yan dal yaptı throne of glass top pick 2013 isinglass teen read award grades 6 8 throne of glass

sarah j maas wikipedia - May 25 2022

web sarah janet maas born march 5 1986 is an american fantasy author known for her fantasy series throne of glass a court of thorns and roses and crescent city as of 2022 she has sold over twelve million copies of her books and her work has been translated into 37 languages

**throne of glass throne of glass sarah j maas bloomsbury** - Aug 28 2022

web enter the world of throne of glass with the first book in the 1 bestselling series by sarah j maas in a land without magic an assassin is summoned to the castle she has no love for the vicious king who rules from his throne of glass but she has not come to kill him

**throne of glass on apple books** - Nov 30 2022

web aug 7 2012 enter the world of throne of glass with the first book in the 1 bestselling series by sarah j maas in a land without magic an assassin is summoned to the castle she has no love for the vicious king who rules from his throne of glass but she has not come to kill him she has come to win her freedom

throne of glass wikipedia - Oct 10 2023

web throne of glass is a high fantasy novel series by american author sarah j maas beginning with the entry of the same name released in august 2012 the story follows the journey of celaena sardothien a teenage assassin in a corrupt kingdom with a tyrannical ruler the king of adarlan

*throne of glass series sarah j maas* - Aug 08 2023

web throne of glass series when magic has gone from the world and a vicious king rules from his throne of glass an assassin comes to the castle she does not come to kill but to win her freedom if she can defeat twenty three killers thieves and warriors in a competition to find the greatest assassin in the land she will become the king s

**the world of throne of glass by sarah j maas goodreads** - Sep 28 2022

web sarah j maas is the 1 new york times and internationally bestselling author of the crescent city a court of thorns and roses and the throne of glass series her books have sold more than twelve million copies and are published in thirty seven languages a new york native sarah lives in philadelphia with her husband son and dog

**throne of glass sarah j maas** - Jul 07 2023

web enter the world of throne of glass with the first book in the 1 bestselling series by sarah j maas in a land without magic an assassin is summoned to the castle she has no love for the vicious king who rules from his throne of glass but she has not come to kill him

reading order for sarah j maas throne of glass series insider - Oct 30 2022

web the throne of glass series is one of beloved author sarah j maas fantasy worlds but it can be confusing to know which order to read the series eight installments here s my recommendation for the best reading experience for the series new look

**throne of glass the throne of glass series sarah j maas** - Jul 27 2022

web throne of glass the throne of glass series sarah j maas kitabı en iyi fiyatla burada tıkla throne of glass the throne of glass series sarah j maas eserini hızlı ve kolay bir şekilde satın al siparişlerim süper fiyat süper teklif yurt dışından

*throne of glass series free download borrow and streaming* - Jun 25 2022

web oct 19 2021 throne of glass the assassin s blade crown of midnight heir of fire queen of shadows empire of storms tower of dawn kingdom of ash collection opensource all 7 of the throne of glass series by sarah j mass addeddate

throne of glass throne of glass book 1 amazon com - Mar 03 2023

web a throne of glass by sarah j maas is a captivating and thrilling fantasy novel that takes readers on a gripping journey through a world of magic assassins and political intrigue the story follows celaena sardothien a skilled assassin as she is offered a chance at freedom by competing in a deadly tournament maas weaves a richly detailed

**throne of glass 1 by maas sarah j amazon com au** - Feb 19 2022

web enter the world of throne of glass with the first book in the 1 bestselling series by sarah j maas in a land without magic an assassin is summoned to the castle she has no love for the vicious king who rules from his throne of glass but she has not come to kill him she has come to win her freedom

**tower of dawn sarah j maas** - Apr 23 2022

web a desperate quest an ancient secret the search for allies extends to a new land in the sixth book of the 1 bestselling throne of glass series by sarah j maas chaol westfall and nesryn faliq have arrived in the shining city of antica to forge an alliance with the khagan of the southern continent whose vast armies are erilea s last hope

*throne of glass maas sarah j amazon com tr kitap* - May 05 2023

web the book that started the phenomenon sarah j maas s global 1 bestselling throne of glass series has taken the world by storm meet celaena sardothien beautiful deadly destined for greatness in the dark filthy salt mines of endovier an eighteen year old girl is serving a life sentence