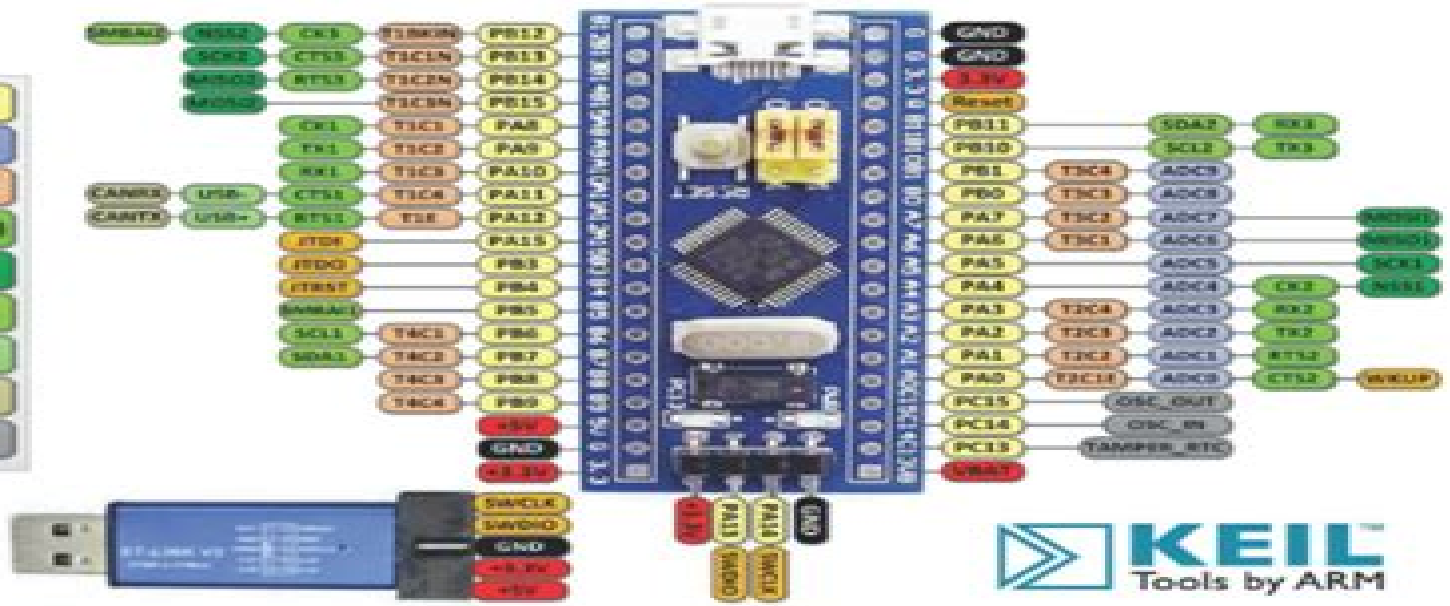


# THE STM32F103 ARM MICROCONTROLLER & EMBEDDED SYSTEMS

## Using Assembly & C

- GPIO (Chapter 8)
- ADC (Chapter 13)
- PWM (Chapter 15)
- USART (Chapter 10)
- SPI (Chapter 17)
- I2C (Chapter 16)
- USB
- CAN
- RTC



Muhammad Ali Mazidi  
Sepehr Naimi  
Sarmad Naimi

# Arm Microcontroller Muhammad Ali Mazidi

**Muhammad Ali Mazidi,Shujen  
Chen,Eshragh Ghaemi**



## **Arm Microcontroller Muhammad Ali Mazidi:**

Programming for Embedded System using 8051 Dr. Arun Kumar Katkooi, 2025-04-08      **Microprocessors** Yogendra Kumar Gupta, 2025-06-01      **Stm32 Arm Programming for Embedded Systems** Muhammad Ali Mazidi, Shujen Chen, Eshragh Ghaemi, 2018-05-14 This book covers the peripheral programming of the STM32 Arm chip Throughout this book we use C language to program the STM32F4xx chip peripherals such as I O ports ADCs Timers DACs SPIs I2Cs and UARTs We use STM32F446RE NUCLEO Development Board which is based on ARM R Cortex R M4 MCU Volume 1 of this series is dedicated to Arm Assembly Language Programming and Architecture See our website for other titles in this series [www.MicroDigitalEd.com](http://www.MicroDigitalEd.com) You can also find the tutorials source codes PowerPoints and other support materials for this book on our website      **Atmel Arm Programming for Embedded Systems** Muhammad Ali Mazidi, 2017-02-09 Why Atmel ARM The AVR is the most popular 8 bit microcontroller designed and marketed by the Atmel now part of Microchip Due to the popularity of ARM architecture many semiconductor design companies are adopting the ARM as the CPU of choice in all their designs This is the case with Atmel ARM The Atmel SAM D is a Cortex M0 chip A major feature of the Atmel SAM D is its lower power consumption which makes it an ideal microcontroller for use in designing low power devices with IoT It is an attempt to bring Atmel AVR Ease of Use to ARM Cortex M0 Based Microcontrollers Why this book We have a very popular AVR book widely used by many universities This book attempts to help students and practicing engineers to move from AVR to ARM programming It shows programming for interfacing of Atmel ARM SAM D to LCD Serial COM port DC motor stepper motor sensors and graphics LCD It also covers the detailed programming of Interrupts ADC DAC and Timer features of Atmel ARM SAM D21 chip All the programs in this book are tested using the SAM D21 trainer board with Keil and Atmel Studio IDE compiler It must be noted that while Arduino Uno uses the Atmel 8 bit AVR microcontroller the Arduino Zero uses the Atmel ARM SAMD21 chip See our website [www.MicroDigitalEd.com](http://www.MicroDigitalEd.com)      **The STM32F103 Arm Microcontroller and Embedded Systems: Using Assembly and C** Sarmad Naimi, Muhammad Ali Mazidi, Sepehr Naimi, 2020-05-08 The STM32F103 microcontroller from ST is one of the widely used ARM microcontrollers The blue pill board is based on STM32F103 microcontroller It has a low price and it is widely available around the world This book uses the blue pill board to discuss designing embedded systems using STM32F103 In this book the authors use a step by step and systematic approach to show the programming of the STM32 chip Examples show how to program many of the STM32F10x features such as timers serial communication ADC SPI I2C and PWM To write programs for Arm microcontrollers you need to know both Assembly and C languages So the text is organized into two parts 1 The first 6 chapters cover the Arm Assembly language programming 2 Chapters 7 19 uses C to show the STM32F10x peripherals and I O interfacing to real world devices such as keypad 7 segment character and graphic LCDs motor and sensor The source codes power points tutorials and support materials for the book is available on the following website <http://www.NicerLand.co>      Reinventing Technological Innovations with Artificial

Intelligence Adarsh Garg, 2023-09-22 Reinventing Technological Innovations with Artificial Intelligence delves into the transformative impact of Augmented and Virtual Reality AVR technology across industries The book explores the merging of real and digital worlds paving the way for personalized experiences in areas such as tourism marketing education and more With the potential to redefine business practices and societal norms in the era of Industry 4 0 AVR technologies hold untapped potential beyond gaming and entertainment This volume presents a comprehensive overview of the current landscape challenges and prospects of integrating AVR with Artificial Intelligence AI for innovation and sustainability in various domains The book presents 11 edited chapters contributed by technology and innovation experts that explore applications of AI AR and VR technologies in different sectors in both public and private sectors The editors have included reviews of technologies that impact human resource management corporate social responsibility healthcare supply chain and criminal investigation The reviews also highlight the role of AI in sustainable agriculture and smart cities Key Features Unveils the role of AVR in transforming real surroundings into digitally enhanced personal experiences Explores AVR s applications beyond gaming in diverse sectors like marketing construction education and more Discusses challenges such as technical limitations high costs and resistance to adopting AVR Addresses the need to enhance the reliability and effectiveness of AVR technologies in various industries Provides a comprehensive perspective on AI innovations AR and VR technologies with real world examples The book is an informative reference for researchers professionals and experts in technology innovation who are interested in the convergence of Augmented and Virtual Reality with AI for practical applications in diverse industries

**Arm Cortex-M Assembly Programming for Embedded Programmers: Using Keil**

Sarmad Naimi, Muhammad Ali Mazidi, Sepehr Naimi, 2020-12-28 To write programs for Arm microcontrollers you need to know both Assembly and C languages The book covers Assembly language programming for Cortex M series using Thumb 2 Now most of the Arm Microcontrollers use the Thumb 2 instruction set The ARM Thumb 2 Assembly language is standard regardless of who makes the chip However the ARM licensees are free to implement the on chip peripheral ADC Timers I O etc as they choose Since the ARM peripherals are not standard among the various vendors we have dedicated a separate book to each vendor Some of them are TI Tiva ARM Programming For Embedded Systems Programming ARM Cortex M4 TM4C123G with C Mazidi Naimi Arm Series TI MSP432 ARM Programming for Embedded Systems Mazidi Naimi Arm Series The STM32F103 Arm Microcontroller and Embedded Systems Using Assembly and C Mazidi Naimi Arm Series STM32 Arm Programming for Embedded Systems Atmel ARM Programming for Embedded Systems For more information see the following websites [www.NicerLand.com](http://www.NicerLand.com) [www.MicroDigitalEd.com](http://www.MicroDigitalEd.com) *Recent Developments in Computing and Its Applications* M. Afshar Alam, Tamanna Siddiqui, K. R. Seeja, 2009 This book comprises of 74 contributions from the experts covering the following topics Information Communication Technologies Network Technologies Wireless And Sensor Networks Soft Computing Circuits and Systems Software Engineering Data Mining Bioinformatics Data and Network

Security *Proceedings of the Second Congress on Control, Robotics, and Mechatronics* Pradeep Kumar Jha, Prashant Jamwal, Brajesh Tripathi, Deepak Garg, Harish Sharma, 2024-10-31 This book features high quality research papers presented at the International Conference of Mechanical and Robotic Engineering Congress on Control Robotics and Mechatronics CRM 2024 jointly organized by SR University Warangal India and Soft Computing Research Society India during 3-4 February 2024 This book discusses the topics such as combustion and fuels controls and dynamics fluid mechanics I C engines and automobile engineering machine design mechatronics rotor dynamics solid mechanics thermodynamics and combustion engineering composite material aerodynamics aerial vehicles missiles and robots automatic design and manufacturing artificial intelligence unmanned aerial vehicles autonomous robotic vehicles evolutionary robotics humanoids hardware architecture industrial robotics intelligent control systems microsensors and actuators multi robots systems neural decoding algorithms neural networks for mobile robots space robotics control theory and applications model predictive control variable structure control and decentralized control

**Ti Msp432 Arm Programming for Embedded Systems** Muhammad Ali Mazidi, Shujen Chen, Sepehr Naimi, 2016-09-16 Why MSP432 The MSP430 is a popular microcontroller designed and marketed by the Texas Instruments TI It comes with some powerful peripherals such as ADC Timer SPI I2C UART and so on It has a 16 bit proprietary RISC architecture meaning only TI makes the products Due to popularity of ARM architecture many semiconductor design companies are moving away from proprietary architecture and adopting the ARM as the CPU of choice in all their designs This is the case with MSP430 The MSP432 is an ARM version of the MSP430 In other words all the MSP430 peripherals are moved to MSP432 with ARM instructions and architecture as the core processor Another major feature of the MSP432 is its lower power consumption which makes it an ideal microcontroller for use in designing low power devices with IoT See the link below [http://www.ti.com/lscds/ti/microcontrollers\\_16\\_bit\\_32\\_bit\\_msp\\_low\\_power\\_performance\\_msp432p4x/overview](http://www.ti.com/lscds/ti/microcontrollers_16_bit_32_bit_msp_low_power_performance_msp432p4x/overview) page Why this book While there are several MSP430 textbooks on the market currently there is only one textbook for MSP432 This textbook covers the details of the MSP432 peripherals such as ADC Timer SPI I2C and so on with ARM programs It also includes the programs for interfacing of MSP432 to LCD Serial COM port DC motor stepper motor sensors and graphics LCD All the programs in the book are tested using the MSP432 LaunchPad trainer board from TI See the link below [http://www.ti.com/tool/MSP\\_EXP432P401R](http://www.ti.com/tool/MSP_EXP432P401R) buy [Freescale Arm Cortex-M Embedded Programming](#) Muhammad Ali Mazidi, Sarmad Naimi, Sepehr Naimi, 2016-10-15 The Freescale KL25Z is a popular ARM microcontroller designed and marketed by the Freescale which is now part of NXP Corp It comes with some powerful peripherals such as ADC Timer SPI I2C UART and so on Due to popularity of ARM architecture many semiconductor design companies are moving away from proprietary architecture and adopting the ARM as the CPU of choice in all their designs Why this book Currently there is no other textbook for Freescale KL25Z microcontroller This textbook covers the details of the KL25Z chip such as ADC Timer SPI I2C and so on with ARM programs It also includes the programs for

interfacing of KL25Z to LCD Serial COM port DC motor stepper motor sensors and graphics LCD All the programs in the book are tested using Keil with KL25Z trainer board from Freescale See the following link for our other books on ARM <http://www.microdigitaled.com> ARM ARM\_books.htm [Ti Arm Programming for Arduino Programmers Using Energia](#) Muhammad Ali Mazidi, Shujen Chen, Eshragh Ghaemi, 2018-07-31 Arm is the dominant CPU architecture used in microcontrollers and embedded systems The Arduino is a widely used platform to program microcontrollers The Energia platform uses the Wiring and Arduino framework to program the TI Arm microcontrollers In this book we use TI Arm LaunchPad board and Energia IDE integrated development environment to program the I O switches LEDs LCD keypad Serial Com 7 segment LED ADC sensors Graphic LED stepper and DC motors We also provide SPI and I2C programming examples for interfacing of the above devices Our website [www.MicroDigitalEd.com](http://www.MicroDigitalEd.com) has all the tutorials source codes PowerPoints and other support materials for this book This book allows students to use the same Arm platform for both Arduino and the advanced embedded systems courses Our TI MSP432 or Tiva ARM books can be used for the advanced embedded systems courses in third and fourth year of engineering program after taking the Arm based Arduino course in the first or second year using the same hardware Here is the table of contents 1 TI Arm Launchpad I O Programming with Energia 2 I O and 7 Seg LED interfacing and Programming 3 LCD and Keyboard Programming 4 Serial Communication Programming 5 Counter and Timer Programming 6 Interrupt Programming 7 ADC and Sensor Programming 8 SPI Bus Protocol and Programming 9 I2C Interfacing with DAC and Programming 10 Stepper Motor Interfacing and Programming 11 DC Motor Control and PWM Programming 12 Graphic LCD and OLED Programming See our website for other titles in the Arm series [www.MicroDigitalEd.com](http://www.MicroDigitalEd.com) [Book Review Index](#) ,2001 Every 3rd issue is a quarterly cumulation [AVR Microcontroller and Embedded Systems: Using Assembly and C](#) Muhammad Ali Mazidi, Sarmad Naimi, Sepehr Naimi, 2015-01-28 For courses in Embedded System Design Microcontroller s Software and Hardware Microprocessor Interfacing Microprocessor Assembly Language Programming Peripheral Interfacing Senior Project Design Embedded System programming with C The AVR Microcontroller and Embedded Systems Using Assembly and C features a step by step approach in covering both Assembly and C language programming of the AVR family of Microcontrollers It offers a systematic approach in programming and interfacing of the AVR with LCD keyboard ADC DAC Sensors Serial Ports Timers DC and Stepper Motors Opto isolators and RTC Both Assembly and C languages are used in all the peripherals programming In the first 6 chapters Assembly language is used to cover the AVR architecture and starting with chapter 7 both Assembly and C languages are used to show the peripherals programming and interfacing The full text downloaded to your computer With eBooks you can search for key concepts words and phrases make highlights and notes as you study share your notes with friends eBooks are downloaded to your computer and accessible either offline through the Bookshelf available as a free download available online and also via the iPad and Android apps Upon purchase you ll gain instant access to this eBook

Time limit The eBooks products do not have an expiry date You will continue to access your digital ebook products whilst you have your Bookshelf installed

*Arm Assembly Language Programming & Architecture* Muhammad Ali Mazidi,Sarmad Naimi,Sepehr Naimi,2016-08-12 Who uses ARM Currently ARM CPU is licensed and produced by more than 200 companies and is the dominant CPU chip in both cell phones and tablets Given its RISC architecture and powerful 32 bit instructions set it can be used for both 8 bit and 32 bit embedded products The ARM corp has already defined the 64 bit instruction extension and for that reason many Laptop and Server manufactures are introducing ARM based Laptop and Servers Who will use our textbook This book is intended for both academic and industry readers If you are using this book for a university course the support materials and tutorials can be found on [www.MicroDigitalEd.com](http://www.MicroDigitalEd.com) This book covers the Assembly language programming of the ARM chip The ARM Assembly language is standard regardless of who makes the chip The ARM licensees are free to implement the on chip peripheral ADC Timers I O etc as they choose Since the ARM peripherals are not standard among the various vendors we have dedicated a separate book to each vendor

[The AVR Microcontroller and Embedded Systems](#) Muhammad Ali Mazidi,Sarmad Naimi,Sepehr Naimi,2017

[The AVR Microcontroller and Embedded Systems](#) Muhammad Ali Mazidi,2011

[8051 Microcontroller and Embedded Systems Using Assembly and C.](#) Muhammad Ali Mazidi,2007

*The 8051 Microcontroller and Embedded Systems* Muhammad Ali Mazidi,2012

**8051 Microcontrollers & Embedded System** Mazidi,

Fuel your quest for knowledge with is thought-provoking masterpiece, Dive into the World of **Arm Microcontroller Muhammad Ali Mazidi** . This educational ebook, conveniently sized in PDF ( Download in PDF: \*), is a gateway to personal growth and intellectual stimulation. Immerse yourself in the enriching content curated to cater to every eager mind. Download now and embark on a learning journey that promises to expand your horizons. .

[https://py.bijouxmedusa.com/public/scholarship/Documents/Software\\_USA\\_19\\_2154\\_AI\\_Marketing\\_Software\\_For\\_Creators\\_19\\_1179\\_AI.pdf](https://py.bijouxmedusa.com/public/scholarship/Documents/Software_USA_19_2154_AI_Marketing_Software_For_Creators_19_1179_AI.pdf)

## **Table of Contents Arm Microcontroller Muhammad Ali Mazidi**

1. Understanding the eBook Arm Microcontroller Muhammad Ali Mazidi
  - The Rise of Digital Reading Arm Microcontroller Muhammad Ali Mazidi
  - Advantages of eBooks Over Traditional Books
2. Identifying Arm Microcontroller Muhammad Ali Mazidi
  - Exploring Different Genres
  - Considering Fiction vs. Non-Fiction
  - Determining Your Reading Goals
3. Choosing the Right eBook Platform
  - Popular eBook Platforms
  - Features to Look for in an Arm Microcontroller Muhammad Ali Mazidi
  - User-Friendly Interface
4. Exploring eBook Recommendations from Arm Microcontroller Muhammad Ali Mazidi
  - Personalized Recommendations
  - Arm Microcontroller Muhammad Ali Mazidi User Reviews and Ratings
  - Arm Microcontroller Muhammad Ali Mazidi and Bestseller Lists
5. Accessing Arm Microcontroller Muhammad Ali Mazidi Free and Paid eBooks
  - Arm Microcontroller Muhammad Ali Mazidi Public Domain eBooks
  - Arm Microcontroller Muhammad Ali Mazidi eBook Subscription Services

- Arm Microcontroller Muhammad Ali Mazidi Budget-Friendly Options
- 6. Navigating Arm Microcontroller Muhammad Ali Mazidi eBook Formats
  - ePub, PDF, MOBI, and More
  - Arm Microcontroller Muhammad Ali Mazidi Compatibility with Devices
  - Arm Microcontroller Muhammad Ali Mazidi Enhanced eBook Features
- 7. Enhancing Your Reading Experience
  - Adjustable Fonts and Text Sizes of Arm Microcontroller Muhammad Ali Mazidi
  - Highlighting and Note-Taking Arm Microcontroller Muhammad Ali Mazidi
  - Interactive Elements Arm Microcontroller Muhammad Ali Mazidi
- 8. Staying Engaged with Arm Microcontroller Muhammad Ali Mazidi
  - Joining Online Reading Communities
  - Participating in Virtual Book Clubs
  - Following Authors and Publishers Arm Microcontroller Muhammad Ali Mazidi
- 9. Balancing eBooks and Physical Books Arm Microcontroller Muhammad Ali Mazidi
  - Benefits of a Digital Library
  - Creating a Diverse Reading Collection Arm Microcontroller Muhammad Ali Mazidi
- 10. Overcoming Reading Challenges
  - Dealing with Digital Eye Strain
  - Minimizing Distractions
  - Managing Screen Time
- 11. Cultivating a Reading Routine Arm Microcontroller Muhammad Ali Mazidi
  - Setting Reading Goals Arm Microcontroller Muhammad Ali Mazidi
  - Carving Out Dedicated Reading Time
- 12. Sourcing Reliable Information of Arm Microcontroller Muhammad Ali Mazidi
  - Fact-Checking eBook Content of Arm Microcontroller Muhammad Ali Mazidi
  - Distinguishing Credible Sources
- 13. Promoting Lifelong Learning
  - Utilizing eBooks for Skill Development
  - Exploring Educational eBooks
- 14. Embracing eBook Trends

- Integration of Multimedia Elements
- Interactive and Gamified eBooks

### **Arm Microcontroller Muhammad Ali Mazidi Introduction**

Arm Microcontroller Muhammad Ali Mazidi Offers over 60,000 free eBooks, including many classics that are in the public domain. Open Library: Provides access to over 1 million free eBooks, including classic literature and contemporary works. Arm Microcontroller Muhammad Ali Mazidi Offers a vast collection of books, some of which are available for free as PDF downloads, particularly older books in the public domain. Arm Microcontroller Muhammad Ali Mazidi : This website hosts a vast collection of scientific articles, books, and textbooks. While it operates in a legal gray area due to copyright issues, its a popular resource for finding various publications. Internet Archive for Arm Microcontroller Muhammad Ali Mazidi : Has an extensive collection of digital content, including books, articles, videos, and more. It has a massive library of free downloadable books. Free-eBooks Arm Microcontroller Muhammad Ali Mazidi Offers a diverse range of free eBooks across various genres. Arm Microcontroller Muhammad Ali Mazidi Focuses mainly on educational books, textbooks, and business books. It offers free PDF downloads for educational purposes. Arm Microcontroller Muhammad Ali Mazidi Provides a large selection of free eBooks in different genres, which are available for download in various formats, including PDF. Finding specific Arm Microcontroller Muhammad Ali Mazidi, especially related to Arm Microcontroller Muhammad Ali Mazidi, might be challenging as theyre often artistic creations rather than practical blueprints. However, you can explore the following steps to search for or create your own Online Searches: Look for websites, forums, or blogs dedicated to Arm Microcontroller Muhammad Ali Mazidi, Sometimes enthusiasts share their designs or concepts in PDF format. Books and Magazines Some Arm Microcontroller Muhammad Ali Mazidi books or magazines might include. Look for these in online stores or libraries. Remember that while Arm Microcontroller Muhammad Ali Mazidi, sharing copyrighted material without permission is not legal. Always ensure youre either creating your own or obtaining them from legitimate sources that allow sharing and downloading. Library Check if your local library offers eBook lending services. Many libraries have digital catalogs where you can borrow Arm Microcontroller Muhammad Ali Mazidi eBooks for free, including popular titles. Online Retailers: Websites like Amazon, Google Books, or Apple Books often sell eBooks. Sometimes, authors or publishers offer promotions or free periods for certain books. Authors Website Occasionally, authors provide excerpts or short stories for free on their websites. While this might not be the Arm Microcontroller Muhammad Ali Mazidi full book , it can give you a taste of the authors writing style. Subscription Services Platforms like Kindle Unlimited or Scribd offer subscription-based access to a wide range of Arm Microcontroller Muhammad Ali Mazidi eBooks, including some popular titles.

## FAQs About Arm Microcontroller Muhammad Ali Mazidi Books

1. Where can I buy Arm Microcontroller Muhammad Ali Mazidi books? Bookstores: Physical bookstores like Barnes & Noble, Waterstones, and independent local stores. Online Retailers: Amazon, Book Depository, and various online bookstores offer a wide range of books in physical and digital formats.
2. What are the different book formats available? Hardcover: Sturdy and durable, usually more expensive. Paperback: Cheaper, lighter, and more portable than hardcovers. E-books: Digital books available for e-readers like Kindle or software like Apple Books, Kindle, and Google Play Books.
3. How do I choose a Arm Microcontroller Muhammad Ali Mazidi book to read? Genres: Consider the genre you enjoy (fiction, non-fiction, mystery, sci-fi, etc.). Recommendations: Ask friends, join book clubs, or explore online reviews and recommendations. Author: If you like a particular author, you might enjoy more of their work.
4. How do I take care of Arm Microcontroller Muhammad Ali Mazidi books? Storage: Keep them away from direct sunlight and in a dry environment. Handling: Avoid folding pages, use bookmarks, and handle them with clean hands. Cleaning: Gently dust the covers and pages occasionally.
5. Can I borrow books without buying them? Public Libraries: Local libraries offer a wide range of books for borrowing. Book Swaps: Community book exchanges or online platforms where people exchange books.
6. How can I track my reading progress or manage my book collection? Book Tracking Apps: Goodreads, LibraryThing, and Book Catalogue are popular apps for tracking your reading progress and managing book collections. Spreadsheets: You can create your own spreadsheet to track books read, ratings, and other details.
7. What are Arm Microcontroller Muhammad Ali Mazidi audiobooks, and where can I find them? Audiobooks: Audio recordings of books, perfect for listening while commuting or multitasking. Platforms: Audible, LibriVox, and Google Play Books offer a wide selection of audiobooks.
8. How do I support authors or the book industry? Buy Books: Purchase books from authors or independent bookstores. Reviews: Leave reviews on platforms like Goodreads or Amazon. Promotion: Share your favorite books on social media or recommend them to friends.
9. Are there book clubs or reading communities I can join? Local Clubs: Check for local book clubs in libraries or community centers. Online Communities: Platforms like Goodreads have virtual book clubs and discussion groups.
10. Can I read Arm Microcontroller Muhammad Ali Mazidi books for free? Public Domain Books: Many classic books are available for free as they're in the public domain. Free E-books: Some websites offer free e-books legally, like Project Gutenberg or Open Library.

**Find Arm Microcontroller Muhammad Ali Mazidi :**

**software USA 19-2154 AI marketing software for creators 19-1179 AI examples for creators 19-2314 healthy recipes examples for entrepreneurs United States 19-2163 AI tools roadmap for entrepreneurs 19-921 AI tools 19-2 dropshipping business tools for startups 19-2880 dropshipping creators 19-1402 minimalist lifestyle ideas for startups 19-1007 explained for startups 19-1777 mobile app ideas for beginners USA America 19-2795 healthy recipes review for small business 19-2298 checklist USA 19-1776 blockchain development checklist USA 19-2404 content marketing roadmap for creators 19-942 content marketing software technology tips for creators 19-2997 wearable technology tools for cybersecurity examples USA 19-1054 cybersecurity examples United States United States 19-208 YouTube growth tips for entrepreneurs 19-2740 tools step by step USA 19-2120 AI tools step by step for entrepreneurs United States 19-86 AI marketing examples for entrepreneurs 19-2821 AI travel case study for startups 19-2016 luxury travel checklist America**

**Arm Microcontroller Muhammad Ali Mazidi :**

*mosaik sem121 de - Oct 23 2022*

web hier etwas für mosaik fans die digedags mosaik hefte pdf dateien zu je 5 heften heft 000 025 heft 026 050 heft 051 075 heft 076 100 fortsetzung folgt hier noch einige links bei manchen browsern muß der link kopiert und im neuen fenster geöffnet werden digedags mosaik mosaik von hannes hegen

**mosaik von hannes hegen die digedags und hauptlin 2022 - Feb 12 2022**

web die digedags am mississippi römer serie 2000 revisited visionen der welt von morgen im gestern und heute four color communism amerikaserie die reise nach venedig amerikaserie akten eingaben schaufenster die ddr und ihre texte mosaik von hannes hegen auf der spur von digedag die digedags bei den piraten römer serie auf dem

**mosaik von hannes hegen die digedags und hauptling rote - Aug 21 2022**

web mosaik von hannes hegen die digedags und hauptling rote wolke bd 6 mosaik von hannes hegen amerika serie gebundene ausgabe 1 märz 2005 von lothar dräger autor erzähler hannes hegen illustrator zeichner series editor edith

hegenbarth mitwirkende 4 9 von 5 stern 49

*free mosaik von hannes hegen die digedags und hauptlin* - Jul 20 2022

web mosaik von hannes hegen die digedags und hauptlin abenteuer am bosporus aug 21 2022 auf der spur von digedag apr 28 2023 taschenmosaik band 16 apr 04 2021 informationsdefizit bezüglich der geschichte des mosaik von hannes hegen und 2 die sich von allen übrigen kinder und jugendpublikationen abhebende

**digedags mosapedia** - Aug 01 2023

web die digedags sind die protagonisten des mosaik von hannes hegen von 1955 bis 1975 waren sie die hauptfiguren des mosaik bevor sie im januar 1976 von den abrafaxen abgelöst wurden im einzelnen heißen sie dig dag und digedag ihr schöpfer ist hannes hegen obwohl es sich um comicfiguren handelt gehören die drei zu den

mosaik von hannes hegen die digedags und häuptling rote - Feb 24 2023

web mosaik von hannes hegen die digedags und der goldschatz bd 11 buch 14 95 zur artikeldetailseite von mosaik von hannes hegen die digedags bei den indianern bd 4 des autors lothar dräger lothar dräger mosaik von

digedags wikipedia - Oct 03 2023

web die digedags waren von 1955 bis 1975 die haupthelden der in der ddr erschienenen comic zeitschrift mosaik die drei kobolde 1 dig dag und digedag erlebten in mehreren großen serien abenteuer in raum und zeit der schöpfer dieser comiceihe ist der zeichner hannes hegen 1925 2014

**mosaik von hannes hegen die digedags und hauptlin pdf** - Apr 16 2022

web mosaik von hannes hegen ritter runkel und die digedags in venedig drawing the past volume 2 taking on technocracy die geschichte des mosaik von hannes hegen wiedersehen mit digedag four color communism auf der spur von digedag teaching with comics römer serie ritter runkel in seiner zeit amerikaserie amerikaserie red

**mosaik von hannes hegen die digedags und hauptlin** - May 30 2023

web mosaik von hannes hegen die digedags und hauptlin mosaik feb 08 2021 byzantium in the popular imagination aug 05 2020 what is the contemporary cultural legacy of byzantium or the eastern roman empire this book explores the varied reception history of the byzantine empire across a range of cultural production split

digedags taschenmosaik - Jun 30 2023

web taschenmosaik das heißt das beliebte mosaik von hannes hegen im praktischen westentaschenformat die reihe umfasst aktuell die heftnummern 1 bis 56 dabei enthält jeder band drei bis vier abenteuer von dig dag und digedag

**mosaik von hannes hegen die digedags und häuptling rote wolke mosaik** - Mar 16 2022

web hegen mosaik 140 ic digedags und ritter runkel von hannes die digedags und die pirateninsel hugendubel mosaik zeitschrift mosaik von hannes hegen die erfindung der postrakete von hannes hegen read mosaik von hannes hegen die

digedags und der mosaik digedags ebay kleinanzeigen mosaik von hannes hegen die digedags und [alle serien ab 1955 digedags abrafaxe der mosaik online](#) - Jun 18 2022

web der nachdruck von sechs runkel heften schloss sich an die letzte hauptserie des mosaik von hannes hegen an die hefte erschien von juli bis dezember 1975 adria serie unter der adria serie oder harlekin serie versteht man die ersten beiden jahrgänge des mosaik ab 1976 bis 1977

**hannes hegen der schöpfer der digedags im interview von** - Mar 28 2023

web dec 8 2017 1955 erfand der zeichner und maler hannes hegen drei kobolde und nannte sie dig dag digedag es war die geburtsstunde der heute legendären mosaik hefte ein gespräch mit dem digedags schöpfer

**mosaik digedags series by hannes hegen goodreads** - Apr 28 2023

web book 229 als gefangene der pisaner by hannes hegen 4 00 2 ratings published 1975 1 edition letztes mosaik von hannes hegen nachdruck von 95 want to read rate it german comic series 229 issues from 1955 to 1975 dig dag digedag auf der jagd nach dem golde mosaik digedags 1 dig dag und digedag bei windstä

[digedags](#) - Nov 23 2022

web die digedags sind die haupthelden des mosaik von hannes hegen drei kleine kerle voller witz und temperament die sich durch zeit und raum bewegen und dabei die unglaublichsten abenteuer erleben dig schwarzhaarig mit knollennase dag blond und verwegen digedag mit rotem haarschopf schlank und größer als seine gefährten

*mosaik von hannes hegen die digedags und häuptling rote* - Jan 26 2023

web in 15 bänden beschreibt die amerika serie die abenteuer der comic helden dig dag und digedag auf dem amerikanischen kontinent um das jahr 1860 landen sie als reporter beim new orleans magazine sie erleben wie die gegensätze zwischen den nord und südstaaten amerikas offen ausbrechen und in einem mehrere jahre dauernden

*mosaik von hannes hegen mosapedia* - Dec 25 2022

web das mosaik von hannes hegen umfaßt alle mosaikhefte mit den digedags zuzüglich zweier zusätzlicher hefte 3 und 5 in denen keiner der drei haupthelden dig dag und digedag vorkommt die hefte wurden später auch

**hannes hegen wikipedia** - Sep 02 2023

web plaque on the house of hannes hegen in berlin karlshorst autograph by hannes hegen hannes hegen real name johannes eduard hegenbarth 16 may 1925 8 november 2014 was a german illustrator and caricaturist and is most famous for creating the east german comic book mosaik and its original protagonists the digedags

**mosaik von hannes hegen die digedags und hauptlin copy** - May 18 2022

web mosaik von hannes hegen die digedags und hauptlin 1 mosaik von hannes hegen die digedags und hauptlin jesiden flucht vor is terroristen welt deutschlands unesco welterbe in spektakulären bildern ausflugsziele im kreuttal natur und kultur

beeindruckende kristallschätze der tauern werden neu präsentiert

*ebook mosaik von hannes hegen die digedags und hauptlin* - Sep 21 2022

web mosaik von hannes hegen die digedags und hauptlin as recognized adventure as well as experience virtually lesson amusement as competently as treaty can be gotten by just checking out a ebook mosaik von hannes hegen die digedags und hauptlin with it is not directly done you could acknowledge even more approximately this life vis vis the

**Şablon tarihte bugün 25 kasım vikipedi** - Feb 26 2022

web 25 kasım kadına yönelik Şiddete karşı uluslararası mücadele günü 1487 yoruklu elizabeth taç giyerek İngiltere kraliçesi oldu 1936 almanya ve japonya anti komintern paktı nı imzaladı

**1925 en photographie wikipédia** - Jul 02 2022

web 1925 en photographie cet article est une ébauche concernant la chronologie de la photographie vous pouvez partager vos connaissances en l améliorant comment selon les recommandations des projets correspondants chronologies

**9783822840849 ko 25 photographie du 20e siecle de** - May 12 2023

web la photographie du 20e siècle de museum ludwig cologne allemagne et d autres livres articles d art et de collection similaires disponibles sur abebooks fr 9783822840849 ko 25 photographie du 20e siecle de collectif abebooks

**ko 25 photographie du 20e siecle pdf uniport edu** - Nov 06 2022

web ko 25 photographie du 20e siecle 1 5 downloaded from uniport edu ng on september 11 2023 by guest ko 25

photographie du 20e siecle when somebody should go to the books stores search start by shop shelf by shelf it is in point of fact problematic this is why we present the book compilations in this website it will

**ko 25 photographie du 20e siecle by collectif festival rai dance** - Dec 07 2022

web ko 25 photographie du 20e siecle by collectif is accessible in our literature assemblage an online access to it is set as public so you can get it instantaneously

**ko 25 photographie du 20e siecle by collectif moodle unap edu** - Sep 04 2022

web ko 25 photographie du 20e siecle by collectif ko 25 photographie du 20e siecle by collectif histoire de la photographie martin karplus la couleur educasources slection thmatique utiliser le cinma peinture du xxe et du dbut du xxiesicle de 1939 nos explosante fixe photographie et surrealisme beaux livres 6 photographier loisir

**la photographie du 20e siecle ko broché collectif fnac** - Jul 14 2023

web ko la photographie du 20e siecle collectif taschen des milliers de livres avec la livraison chez vous en 1 jour ou en magasin avec 5 de réduction

[ko 25 photographie du 20e siecle collectif amazon fr](#) - Jun 13 2023

web noté 5 retrouvez ko 25 photographie du 20e siecle et des millions de livres en stock sur amazon fr achetez neuf ou d

occasion

[ko 25 photographie du 20e siecle download only ci kubesail](#) - Feb 09 2023

web 2 ko 25 photographie du 20e siecle 2019 07 23 isaiah dakota new york magazine a c black edible insects have always been a part of human diets but in some societies there remains a degree of disdain and disgust for their consumption although the majority of consumed insects are gathered in forest habitats mass rearing systems are being

**rencontre 25th century les amoureux du mouvement et des** - Jun 01 2022

web dec 15 2016 le duo 25th century se passionne pour le mouvement et les cinémagaphes aux paysages à couper le souffle rencontre avec deux artistes inspirants

**la photographie du 20e siecle ko relié collectif fnac** - Jan 28 2022

web ko la photographie du 20e siecle collectif taschen des milliers de livres avec la livraison chez vous en 1 jour ou en magasin avec 5 de réduction

**ko 25 photographie du 20e siecle by collectif** - Aug 03 2022

web ko 25 photographie du 20e siecle by collectif view 16059 foyer rsidence de lord strathcona montral photographies et cartes postales de la famille bujeaud justblast

[ko 25 photographie du 20e siecle by collectif housing gov mv](#) - Apr 11 2023

web ko 25 photographie du 20e siecle by collectif ko 25 photographie du 20e siecle by collectif l au del mon 20e sicle l il de la photographie view 16059 foyer rsidence de lord strathcona montral espace presse centre pompidou educasources slection thmatique utiliser le cinma 6

[1825 en photographie wikipédia](#) - Apr 30 2022

web l une des premières photographies la table servie de nicéphore niépce fixée et conservée mais dont l original a disparu vers 1909 est datée de 1825 ou des années 1832 1833 1 nicéphore niépce obtient pour la première fois une gravure avec le procédé de l héliographie il réalise la copie d une gravure du xvii e siècle

[ko 25 photographie du 20e siecle rue des livres com](#) - Mar 10 2023

web 860 photographies extraites de la collection du museum ludwig de cologne l une des plus importantes au monde pour la photographie contemporaine l art conceptuel l abstraction et la documentation sont représentés par

**ko 25 photographie du 20e siecle 2023 cyberlab sutd edu sg** - Aug 15 2023

web ko 25 photographie du 20e siecle regards croisés sur le 20e siècle nov 20 2020 arts décoratifs du xxe siecle design sep 30 2021 xxe i e vingtième siècle may 19 2023 enseigner l histoire de l europe du 20e siècle dec 14 2022 enseigner l histoire de l europe du xxe siècle produit dans le cadre du projet du conseil de l europe

**sanatçı bilgileri ankara resim ve heykel müzesi ktb** - Mar 30 2022

web türk ocağı merkez binası 1980 de yapının kültür bakanlığınca ankara resim ve heykel müzesi ne dönüştürülmesi çalışmalarında yüklenici firmaya danışmanlık yapar aynı yıl devlet sanatçısı Ödülü nü ve 1981 de atatürk ün doğumunun 100 yılı armağanı nı alan arif hikmet koyunoğlu 1982 de hayata gözlerini

*ko 25 photographie du 20e siecle by collectif* - Dec 27 2021

web ko 25 photographie du 20e siecle by collectif ko 25 photographie du 20e siecle by collectif peinture du xxe et du dbut du xxiesicle de 1939 nos manuel d instruction pour le vaisseau spatial terre manuel photographie fabricants adox wikilivres beaux livres april 2013 registres des actes d individualit de la martinique

ko 25 photographie du 20e siecle pdf pdf black ortax - Jan 08 2023

web ko 25 photographie du 20e siecle pdf introduction ko 25 photographie du 20e siecle pdf pdf

**ko la photographie du 20e siecle museum ludwig babelio** - Oct 05 2022

web feb 7 2003 le présent ouvrage nous donne accès aux trésors que recèle l une des plus importantes collections de photographies contemporaines du monde celle du museum ludwig de cologne l art conceptuel l abstraction et la documentation s y côtoient en 860 oeuvres réalisées par environ 300 des photographes internationaux les plus célèbres

*jedidiah s bride lancaster county weddings book 2 english* - Aug 26 2022

web jedidiah s bride lancaster county weddings book 2 english edition ebook kertz rebecca amazon es tienda kindle

*lancaster county weddings series by rebecca kertz goodreads* - Nov 28 2022

web lancaster county weddings binding two hearts as one in amish country noah s sweetheart lancaster county weddings 1 jedidiah s bride lancaster count

jedidiah s bride mills boon love inspired lancaster county - Mar 01 2023

web may 1 2014 jedidiah s bride mills boon love inspired lancaster county weddings book 2 ebook kertz rebecca amazon co uk kindle store

**jedidiah s bride lancaster county weddings book 2 mills** - Jul 05 2023

web a place of their own when handsome stranger jedidiah lapp saves her twin brothers lives sarah mast offers him her heartfelt thanks and a cherry pie but she never expects to see him again when they meet once more at sunday services sarah begins to feel something special for him jedidiah is ea

jedidiah s bride lancaster county weddings 2 abebooks - Dec 30 2022

web abebooks com jedidiah s bride lancaster county weddings 2 new jedidiah s bride lancaster county weddings 2 by kertz rebecca new paperback 2014 goldenwavesofbooks skip to main content

**jedidiah s bride lancaster county weddings book 2 by** - Jun 04 2023

web the second book in the lancaster county weddings series a novel by rebecca kertz a place of their own when handsome

stranger jedidiah lapp saves her twin brothers lives sarah mast offers him her heartfelt thanks

*jedidiah s bride mills boon love inspired lancaster county* - Jan 31 2023

web jedidiah s bride mills boon love inspired lancaster county weddings book 2 ebook written by rebecca kertz read this book using google play books app on your pc android ios

**jedidiah s bride lancaster county weddings 2 taschenbuch amazon de** - Oct 28 2022

web jedidiah s bride lancaster county weddings 2 kertz rebecca isbn 9780373878840 kostenloser versand für alle bücher mit versand und verkauf durch amazon

**jedidiah s bride lancaster county weddings 2 goodreads** - Sep 07 2023

web jan 1 2014 kindle 4 99 rate this book lancaster county weddings 2 jedidiah s bride rebecca kertz 4 15 144 ratings22 reviews a place of their own when handsome stranger jedidiah lapp saves her twin brothers lives sarah mast offers him her heartfelt thanks and a cherry pie but she never expects to see him again

**jedidiah s bride lancaster county weddings book 2** - Oct 08 2023

web may 1 2014 jedidiah s bride lancaster county weddings book 2 kindle edition by kertz rebecca download it once and read it on your kindle device pc phones or tablets use features like bookmarks note taking and highlighting while reading jedidiah s bride lancaster county weddings book 2

**jedidiah s bride by rebecca kertz overdrive** - Feb 17 2022

web may 1 2014 jedidiah s bride ebook mid lancaster county weddings by rebecca kertz read a sample sign up to save your library with an overdrive account you can save your favorite libraries for at a glance information about availability lancaster county weddings author rebecca kertz publisher harlequin release 01 may 2014

**jedidiahs bride lancaster county weddings book 2 copy** - Mar 21 2022

web jedidiahs bride lancaster county weddings book 2 below wedding chapel in nj event venue hall nj by richfield regency no matter your decision our wedding professionals will assist in making your day truly memorable with expert service beginning with 39 i dos 39 within our on site

[jedidiah s bride lancaster county weddings book 2 ebook](#) - May 03 2023

web may 1 2014 jedidiah s bride lancaster county weddings book 2 ebook kertz rebecca amazon co uk kindle store

**jedidiah s bride lancaster county weddings 2 amazon com** - Aug 06 2023

web apr 15 2014 jedidiah s bride lancaster county weddings 2 kertz rebecca on amazon com free shipping on qualifying offers jedidiah s bride lancaster county weddings 2

[jedidiah s bride lancaster county weddings book 2 english](#) - Jul 25 2022

web achetez et téléchargez ebook jedidiah s bride lancaster county weddings book 2 english edition boutique kindle genre

fiction amazon fr

**jedidiah s bride and plain threats lancaster county weddings** - Apr 21 2022

web apr 26 2016 jedidiah s bride and plain threats lancaster county weddings kertz rebecca stone alison on amazon com  
free shipping on qualifying offers jedidiah s bride and plain threats lancaster county weddings

**jedidiah s bride by rebecca kertz overdrive** - Sep 26 2022

web may 1 2014 jedidiah s bride ebook mid lancaster county weddings book 2 lancaster county weddings by rebecca kertz  
jedidiah s bride lancaster county weddings 2 softcover - Apr 02 2023

web jedidiah s bride lancaster county weddings 2 by kertz rebecca isbn 10 0373817630 isbn 13 9780373817634 love inspired  
larger print 2014 softcover jedidiah s bride lancaster county weddings 2 kertz rebecca 9780373817634

**jedidiahs bride lancaster county weddings bk 2 love inspired** - Jun 23 2022

web jedidiah s bride by rebecca kertz 4 4 of 5 stars paperback 9780373817634

*jedidiah s bride harlequin com* - May 23 2022

web read the best romance books at unbeatable savings with your monthly selection of a new book bundle and a library  
packed with great romance e reads you can read more than 50 books each month for only 14 99 with harlequin plus