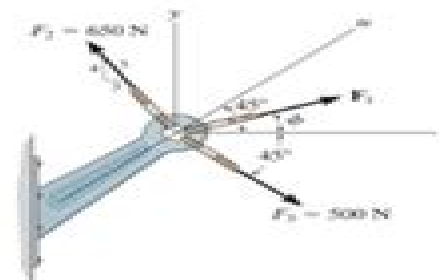


2-46.

If the magnitude of the resultant force acting on the bracket is 600 N, directed along the positive x axis, determine the magnitude of F and its direction ϕ .



SOLUTION

Rectangular Components: By referring to Figs. a and b , the x and y components of F_1 , F_2 , F_3 , and F_R can be written as

$$\begin{aligned} (F_1)_x &= F_1 \cos \phi & (F_1)_y &= F_1 \sin \phi \\ (F_2)_x &= 650 \left(\frac{3}{5}\right) = 390\text{ N} & (F_2)_y &= 650 \left(\frac{4}{5}\right) = 520\text{ N} \\ (F_3)_x &= 500 \cos 45^\circ = 353.55\text{ N} & (F_3)_y &= 500 \sin 45^\circ = 353.55\text{ N} \\ (F_R)_x &= 600 \cos 45^\circ = 424.26\text{ N} & (F_R)_y &= 600 \sin 45^\circ = 424.26\text{ N} \end{aligned}$$

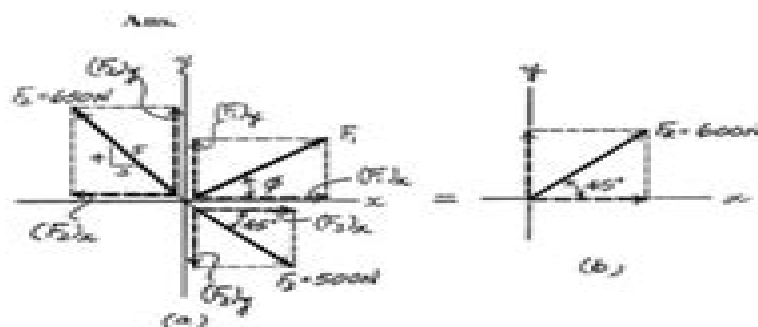
Resultant Force: Summing the force components algebraically along the x and y axes, we have

$$\begin{aligned} \rightarrow \Sigma (F_R)_x &= \Sigma F_{ix} & 424.26 &= F_1 \cos \phi - 390 + 353.55 & (1) \\ & & F_1 \cos \phi &= 460.71 \end{aligned}$$

$$\begin{aligned} + \uparrow \Sigma (F_R)_y &= \Sigma F_{iy} & 424.26 &= F_1 \sin \phi + 520 - 353.55 & (2) \\ & & F_1 \sin \phi &= 257.82 \end{aligned}$$

Solving Eqs. (1) and (2), yields

$$\phi = 29.2^\circ \quad F_1 = 528\text{ N}$$



Chapter 6 Solutions Hibbeler Statics

Irving Herman Shames



Chapter 6 Solutions Hibbeler Statics:

The Top Books of the Year Chapter 6 Solutions Hibbeler Statics The year 2023 has witnessed a remarkable surge in literary brilliance, with numerous captivating novels captivating the hearts of readers worldwide. Let's delve into the realm of popular books, exploring the captivating narratives that have enthralled audiences this year.

The Must-Read : Colleen Hoover's "It Ends with Us" This poignant tale of love, loss, and resilience has captivated readers with its raw and emotional exploration of domestic abuse. Hoover expertly weaves a story of hope and healing, reminding us that even in the darkest of times, the human spirit can succeed.

Uncover the Best : Taylor Jenkins Reid's "The Seven Husbands of Evelyn Hugo" This captivating historical fiction novel unravels the life of Evelyn Hugo, a Hollywood icon who defies expectations and societal norms to pursue her dreams. Reid's compelling storytelling and compelling characters transport readers to a bygone era, immersing them in a world of glamour, ambition, and self-discovery.

Chapter 6 Solutions Hibbeler Statics : Delia Owens' "Where the Crawdads Sing" This mesmerizing coming-of-age story follows Kya Clark, a young woman who grows up alone in the marshes of North Carolina. Owens crafts a tale of resilience, survival, and the transformative power of nature, entrancing readers with its evocative prose and mesmerizing setting.

These popular novels represent just a fraction of the literary treasures that have emerged in 2023. Whether you seek tales of romance, adventure, or personal growth, the world of literature offers an abundance of engaging stories waiting to be discovered.

The novel begins with Richard Papen, a bright but troubled young man, arriving at Hampden College. Richard is immediately drawn to the group of students who call themselves the Classics Club. The club is led by Henry Winter, a brilliant and charismatic young man. Henry is obsessed with Greek mythology and philosophy, and he quickly draws Richard into his world. The other members of the Classics Club are equally as fascinating. Bunny Corcoran is a wealthy and spoiled young man who is always looking for a good time. Charles Tavis is a quiet and reserved young man who is deeply in love with Henry. Camilla Macaulay is a beautiful and intelligent young woman who is drawn to the power and danger of the Classics Club. The students are all deeply in love with Morrow, and they are willing to do anything to please him. Morrow is a complex and mysterious figure, and he seems to be manipulating the students for his own purposes. As the students become more involved with Morrow, they begin to commit increasingly dangerous acts.

The Secret History is a brilliant and gripping novel that will keep you wondering until the very end. The novel is a warning tale about the dangers of obsession and the power of evil.

https://py.bijouxmedusa.com/public/scholarship/Download_PDFS/bec%20preliminary%20reading%20writing%20sample%20paper%20cambridge.pdf

Table of Contents Chapter 6 Solutions Hibbeler Statics

1. Understanding the eBook Chapter 6 Solutions Hibbeler Statics
 - The Rise of Digital Reading Chapter 6 Solutions Hibbeler Statics
 - Advantages of eBooks Over Traditional Books
2. Identifying Chapter 6 Solutions Hibbeler Statics
 - Exploring Different Genres
 - Considering Fiction vs. Non-Fiction
 - Determining Your Reading Goals
3. Choosing the Right eBook Platform
 - Popular eBook Platforms
 - Features to Look for in an Chapter 6 Solutions Hibbeler Statics
 - User-Friendly Interface
4. Exploring eBook Recommendations from Chapter 6 Solutions Hibbeler Statics
 - Personalized Recommendations
 - Chapter 6 Solutions Hibbeler Statics User Reviews and Ratings
 - Chapter 6 Solutions Hibbeler Statics and Bestseller Lists
5. Accessing Chapter 6 Solutions Hibbeler Statics Free and Paid eBooks
 - Chapter 6 Solutions Hibbeler Statics Public Domain eBooks
 - Chapter 6 Solutions Hibbeler Statics eBook Subscription Services
 - Chapter 6 Solutions Hibbeler Statics Budget-Friendly Options
6. Navigating Chapter 6 Solutions Hibbeler Statics eBook Formats
 - ePub, PDF, MOBI, and More
 - Chapter 6 Solutions Hibbeler Statics Compatibility with Devices
 - Chapter 6 Solutions Hibbeler Statics Enhanced eBook Features
7. Enhancing Your Reading Experience
 - Adjustable Fonts and Text Sizes of Chapter 6 Solutions Hibbeler Statics
 - Highlighting and Note-Taking Chapter 6 Solutions Hibbeler Statics
 - Interactive Elements Chapter 6 Solutions Hibbeler Statics
8. Staying Engaged with Chapter 6 Solutions Hibbeler Statics

- Joining Online Reading Communities
- Participating in Virtual Book Clubs
- Following Authors and Publishers Chapter 6 Solutions Hibbeler Statics
- 9. Balancing eBooks and Physical Books Chapter 6 Solutions Hibbeler Statics
 - Benefits of a Digital Library
 - Creating a Diverse Reading Collection Chapter 6 Solutions Hibbeler Statics
- 10. Overcoming Reading Challenges
 - Dealing with Digital Eye Strain
 - Minimizing Distractions
 - Managing Screen Time
- 11. Cultivating a Reading Routine Chapter 6 Solutions Hibbeler Statics
 - Setting Reading Goals Chapter 6 Solutions Hibbeler Statics
 - Carving Out Dedicated Reading Time
- 12. Sourcing Reliable Information of Chapter 6 Solutions Hibbeler Statics
 - Fact-Checking eBook Content of Chapter 6 Solutions Hibbeler Statics
 - Distinguishing Credible Sources
- 13. Promoting Lifelong Learning
 - Utilizing eBooks for Skill Development
 - Exploring Educational eBooks
- 14. Embracing eBook Trends
 - Integration of Multimedia Elements
 - Interactive and Gamified eBooks

Chapter 6 Solutions Hibbeler Statics Introduction

Free PDF Books and Manuals for Download: Unlocking Knowledge at Your Fingertips In today's fast-paced digital age, obtaining valuable knowledge has become easier than ever. Thanks to the internet, a vast array of books and manuals are now available for free download in PDF format. Whether you are a student, professional, or simply an avid reader, this treasure trove of downloadable resources offers a wealth of information, conveniently accessible anytime, anywhere. The advent of online libraries and platforms dedicated to sharing knowledge has revolutionized the way we consume information. No longer confined to physical libraries or bookstores, readers can now access an extensive collection of digital books and

manuals with just a few clicks. These resources, available in PDF, Microsoft Word, and PowerPoint formats, cater to a wide range of interests, including literature, technology, science, history, and much more. One notable platform where you can explore and download free Chapter 6 Solutions Hibbeler Statics PDF books and manuals is the internet's largest free library. Hosted online, this catalog compiles a vast assortment of documents, making it a veritable goldmine of knowledge. With its easy-to-use website interface and customizable PDF generator, this platform offers a user-friendly experience, allowing individuals to effortlessly navigate and access the information they seek. The availability of free PDF books and manuals on this platform demonstrates its commitment to democratizing education and empowering individuals with the tools needed to succeed in their chosen fields. It allows anyone, regardless of their background or financial limitations, to expand their horizons and gain insights from experts in various disciplines. One of the most significant advantages of downloading PDF books and manuals lies in their portability. Unlike physical copies, digital books can be stored and carried on a single device, such as a tablet or smartphone, saving valuable space and weight. This convenience makes it possible for readers to have their entire library at their fingertips, whether they are commuting, traveling, or simply enjoying a lazy afternoon at home. Additionally, digital files are easily searchable, enabling readers to locate specific information within seconds. With a few keystrokes, users can search for keywords, topics, or phrases, making research and finding relevant information a breeze. This efficiency saves time and effort, streamlining the learning process and allowing individuals to focus on extracting the information they need. Furthermore, the availability of free PDF books and manuals fosters a culture of continuous learning. By removing financial barriers, more people can access educational resources and pursue lifelong learning, contributing to personal growth and professional development. This democratization of knowledge promotes intellectual curiosity and empowers individuals to become lifelong learners, promoting progress and innovation in various fields. It is worth noting that while accessing free Chapter 6 Solutions Hibbeler Statics PDF books and manuals is convenient and cost-effective, it is vital to respect copyright laws and intellectual property rights. Platforms offering free downloads often operate within legal boundaries, ensuring that the materials they provide are either in the public domain or authorized for distribution. By adhering to copyright laws, users can enjoy the benefits of free access to knowledge while supporting the authors and publishers who make these resources available. In conclusion, the availability of Chapter 6 Solutions Hibbeler Statics free PDF books and manuals for download has revolutionized the way we access and consume knowledge. With just a few clicks, individuals can explore a vast collection of resources across different disciplines, all free of charge. This accessibility empowers individuals to become lifelong learners, contributing to personal growth, professional development, and the advancement of society as a whole. So why not unlock a world of knowledge today? Start exploring the vast sea of free PDF books and manuals waiting to be discovered right at your fingertips.

FAQs About Chapter 6 Solutions Hibbeler Statics Books

What is a Chapter 6 Solutions Hibbeler Statics PDF? A PDF (Portable Document Format) is a file format developed by Adobe that preserves the layout and formatting of a document, regardless of the software, hardware, or operating system used to view or print it. **How do I create a Chapter 6 Solutions Hibbeler Statics PDF?** There are several ways to create a PDF: Use software like Adobe Acrobat, Microsoft Word, or Google Docs, which often have built-in PDF creation tools. Print to PDF: Many applications and operating systems have a "Print to PDF" option that allows you to save a document as a PDF file instead of printing it on paper. Online converters: There are various online tools that can convert different file types to PDF. **How do I edit a Chapter 6 Solutions Hibbeler Statics PDF?** Editing a PDF can be done with software like Adobe Acrobat, which allows direct editing of text, images, and other elements within the PDF. Some free tools, like PDFescape or Smallpdf, also offer basic editing capabilities. **How do I convert a Chapter 6 Solutions Hibbeler Statics PDF to another file format?** There are multiple ways to convert a PDF to another format: Use online converters like Smallpdf, Zamzar, or Adobe Acrobat's export feature to convert PDFs to formats like Word, Excel, JPEG, etc. Software like Adobe Acrobat, Microsoft Word, or other PDF editors may have options to export or save PDFs in different formats. **How do I password-protect a Chapter 6 Solutions Hibbeler Statics PDF?** Most PDF editing software allows you to add password protection. In Adobe Acrobat, for instance, you can go to "File" -> "Properties" -> "Security" to set a password to restrict access or editing capabilities. Are there any free alternatives to Adobe Acrobat for working with PDFs? Yes, there are many free alternatives for working with PDFs, such as: LibreOffice: Offers PDF editing features. PDFsam: Allows splitting, merging, and editing PDFs. Foxit Reader: Provides basic PDF viewing and editing capabilities. How do I compress a PDF file? You can use online tools like Smallpdf, ILovePDF, or desktop software like Adobe Acrobat to compress PDF files without significant quality loss. Compression reduces the file size, making it easier to share and download. Can I fill out forms in a PDF file? Yes, most PDF viewers/editors like Adobe Acrobat, Preview (on Mac), or various online tools allow you to fill out forms in PDF files by selecting text fields and entering information. Are there any restrictions when working with PDFs? Some PDFs might have restrictions set by their creator, such as password protection, editing restrictions, or print restrictions. Breaking these restrictions might require specific software or tools, which may or may not be legal depending on the circumstances and local laws.

Find Chapter 6 Solutions Hibbeler Statics :

bec preliminary reading writing sample paper cambridge

bart simpson to life

bhagavad gita dhammapada upanishads eknath easwaran

bba 1st semester notes of business ethics

~~berklee jazz guitar chord dictionary berklee~~

beatles for jazz piano arrangements by steve hill

basic engineering circuit analysis solution 10th

banking crossword puzzles with answers

bellway homes north east residential development

berk and demarzo corporate finance 3rd edition

~~ben carson gifted hands study guide~~

bargaining for advantage

behavioral mathematics for game ai

become a key person of influence the five step sequence to becoming one most highly valued and paid people in your

industry daniel priestley

~~behavior intervention goals objectives and intervention strategies~~

Chapter 6 Solutions Hibbeler Statics :

feeling and form a theory of art google books - Feb 15 2023

web jan 1 2020 feeling and form a theory of art developed from philosophy in a new key download citation on jan 1 2020 rolf

lachmann published langer susanne k

langer author of feeling and form goodreads - Feb 03 2022

feeling and form a theory of art google books - Jul 08 2022

web susanne k langer feeling and form a theory of art developed from philosophy in a new key charles scribners sons new york copyright

feeling and form apa psycnet - Jun 19 2023

web oct 11 1977 paperback 16 51 20 used from 12 50 in philosophy in a new key susanne langer developed a theory of symbolism there applied to music which she felt

feeling and form a theory of art developed from philosophy in - Jun 07 2022

web langer susanne k feeling and form a theory of art developed from new key new york 1953 scribner s pp xvi 431 7 00 in this important book susanne langer

feeling and form a theory of art langer susanne k susanne - Jul 20 2023

web langer s k 1953 feeling and form scribner s new york abstract in order to explain the nature of art and its relation to feeling the author specifies the meaning of concepts

[feeling and form work by langer britannica](#) - Aug 21 2023

web feeling and form a theory of art langer susanne k susanne katherina knauth 1895 1985 free download borrow and streaming internet archive feeling and form a

feeling and form google books - Mar 16 2023

web feb 26 2020 the philosophy of susanne langer embodied meaning in logic art and feeling oxford bloomsbury academic 2019 stressing langer s agenda of embodied

[feeling and form monoskop](#) - Oct 23 2023

web feeling and form inproceedings langer1953feelingaf title feeling and form author susanne k langer year 1953

[susanne langer philosophy oxford bibliographies](#) - Jan 14 2023

web she was one of the earliest american women to achieve an academic career in philosophy and the first woman to be professionally recognized as an american philosopher langer

susanne langer wikipedia - Oct 11 2022

web susanne katherina knauth langer scribner 1953 art 431 pages developed from the author s philosophy is a new key bibliography p 417 428

feeling and form by langer goodreads - May 18 2023

web feeling and form a theory of art developed from philosophy in a new key susanne katherina knauth langer routledge kegan paul 1953 aesthetics 431 pages

feeling abstraction symbolization langer s aesthetic model of - Aug 09 2022

web feb 25 2009 feeling and form by susanne k langer visiting professor at the university of washington routledge and kegan paul pp xvi 431 with 6 plates price

feeling and form a theory of art amazon com - Dec 01 2021

feeling and form a theory of art langer susanne - Dec 13 2022

web feeling and form first edition in philosophy in a new key susanne langer developed a theory of symbolism there applied to music which she felt could be developed to

amazon com feeling and form 9780023675003 - Apr 17 2023

web feeling and form a theory of art feeling and form susanne katherina knauth langer scribner 1953 aesthetics 431 pages

[amazon com feeling and form 9780684718323 langer](#) - Sep 10 2022

web hardcover first edition langer examines and defines the arts painting sculpture architecture poetry and prose literature music dance and drama and seeks to

reviews jstor - Mar 04 2022

web feeling and form offers the reader nothing less than a systematic comprehensive theory of art applied in turn to painting sculpture architecture literature music the dance

feeling and form by susanne k langer visiting professor at the - May 06 2022

web langer is the author of feeling and form 4 22 avg rating 102 ratings 11 reviews published 1953 theorizing transgender identity for clinical practic

langer susanne k feeling and form a theory of art - Nov 12 2022

web sep 25 2020 feeling is the originary ground out of which the world of forms emerges langer s concept of feeling has substantial overlaps but different points of derivation

pdf feeling and form semantic scholar - Sep 22 2023

web discussed in biography in susanne k langer symbols of scientific language in feeling and form 1953 she submitted that art especially music is a highly articulated form of

langer definition usage examples dictionary com - Jan 02 2022

susanne langer feeling and form pdf scribd - Apr 05 2022

web jul 21 2010 langer definition see examples of langer used in a sentence

lyon le grand frisson À la lyonnaise - Sep 25 2022

web may 9 2022 il y a dix ans l office du tourisme de lyon inaugurerait une visite guidée baptisée crimes et faits divers sous l impulsion du festival quais du polar anne ravet guide touristique en charge de la conduire s en souvient encore ces visites ont eu un succès immédiat aujourd hui encore elles font le plein

tous les articles avec le tag faits divers sur lyonmag - Dec 29 2022

web classement lou 9ème top 14 retrouvez l actualité et l information lyonnaise politique économique sociale culturelle transports ainsi que les faits divers à lyon et dans le rhône

lyon des stupéfiants saisis à gerland dans la nuit le progrès - Feb 28 2023

web 4 hours ago À lire aussi une arme de poing et des stupéfiants retrouvés dans un véhicule en fuite à givors saisie de plus de 3 kg de stupéfiants dans un logement des minguettes faits divers

tous les articles avec le tag fait divers sur lyonmag - Jan 30 2023

web classement lou 9ème top 14 retrouvez l actualité et l information lyonnaise politique économique sociale culturelle transports ainsi que les faits divers à lyon et dans le rhône

croix gammée homme en fuite ce que l on sait de l agression d une - Feb 16 2022

web nov 5 2023 croix gammée homme en fuite instance de divorce ce que l on sait de l agression d une femme juive à lyon une femme de confession juive âgée de 30 ans a été agressée à son

accidents bovins sur la chaussée et cavale un fiché s fait demi - May 22 2022

web 4 hours ago accidents bovins sur la chaussée et cavale un fiché s fait demi tour sur l a43 et sème le chaos entre lyon et chambéry pour éviter un bouchon provoqué par un accident un chauffard en

lyon 69 faits divers info accident justice aujourd'hui hier - Aug 05 2023

web lyon 69 faits divers du jour en direct info justice délits accident lyon 69 actu fait divers aujourd'hui hier faits divers 365 une femme de 30 ans de confession juive a été poignardée à son domicile de lyon ce samedi une croix gammée a été

découverte sur sa porte d'entrée la piste antisémite est avancée lyon 69

faits divers bfm lyon tous les faits divers à lyon et dans toute - Jun 03 2023

web tassin la demi lune les habitants d'un immeuble évacués après la découverte d'une fissure lyon cinq militants antifascistes jugés pour avoir emmuré le local d'une association

faits divers actu lyon actu fr - Apr 01 2023

web lyon un suspect accusé du viol d'une femme dans le tunnel de la croix rousse arrêté 3 nov 2023 lyon alerte à la bombe à lyon la patinoire charlemagne évacuée après des menaces

métropole de lyon femme juive poignardée l agresseur s est fait - Oct 27 2022

web 1 day ago femme juive poignardée l agresseur s est fait passer pour un livreur l enquête ouverte du chef de tentative de meurtre aggravée par un mobile antisémite après l agression d

faits divers lyon dernières actualités et infos en direct 20 - Oct 07 2023

web nov 5 2023 voir plus d'articles découvrez toute l'actualité faits divers locale de lyon et de rhône alpes en direct sur 20 minutes infos enquêtes interviews vidéos

femme juive poignardée à lyon les pistes examinées par les - Jul 24 2022

web nov 5 2023 une trentenaire a été blessée à l'abdomen samedi 4 novembre par un individu cagoulé venu sonner à son domicile une croix gammée a été découverte sur la porte de l'appartement À ce

faits divers à lyon sur lyonmag - May 02 2023

web retrouvez l actualité et l information lyonnaise politique économique sociale culturelle transports ainsi que les faits divers à lyon et dans le rhône

[faits divers à lyon sur lyonmag](#) - Jul 04 2023

web top 14 retrouvez l'actualité et l'information lyonnaise politique économique sociale culturelle transports ainsi que les faits divers à lyon et dans le rhône

faits divers à lyon sur lyonmag - Sep 06 2023

web lyon l'hôtel de région auvergne rhône alpes évacué après une alerte à la bombe ce jeudi aux alentours de 13 heures l'hôtel de région auvergne rhône alpes a été évacué faits divers

[lyon des visites guidées pour les amateurs de faits divers le](#) - Apr 20 2022

web feb 16 2023 lyon des visites guidées pour les amateurs de faits divers le progrès 16 févr 2023 à 20 40 temps de lecture 1 min avec la justice racontée balade urbaine dans le lyon

crimes et faits divers à lyon office du tourisme de lyon - Jun 22 2022

web oct 13 2023 crimes et faits divers à lyon visites et ateliers suivez le guide à la recherche des malandrins assassins et autres escrocs en tous genres qui ont sévi dans notre bonne ville de lyon crimes et faits divers à lyon devant le pavillon du tourisme place bellecour 69002 lyon 2ème 33 0 4 72 77 69 69

[métropole de lyon une arme de poing et des stupéfiants](#) - Nov 27 2022

web 1 day ago faits divers justice une arme de poing et des stupéfiants retrouvés dans un véhicule en fuite que de percer les mystères de la morgue flottante de lyon cette embarcation amarrée sur

lyon une femme de confession juive poignardée chez elle une - Mar 20 2022

web nov 4 2023 une femme de 30 ans a été agressée à son domicile ce samedi après midi dans la métropole lyonnaise selon une information du progrès confirmée au parisien par des sources policières

lyon un individu poignarde à mort un homme dans la rue puis - Aug 25 2022

web oct 11 2023 mardi vers 18h50 un homme âgé d'une vingtaine d'années a été agressé à mort et un autre gravement blessé par arme blanche à proximité de l'arrêt de tramway reuber à bron

[chen and lui structural stability webmail gestudy byu edu](#) - Jul 02 2022

web feb 21 2023 structural stability wai fah chen 1987 structural stability theory and implementation is a practical work that provides engineers and students in structural engineering or structured mechanics with the background needed to make the transition from fundamental theory to practical design rules and computer implementation

chen and lui structural stability pdf 2023 black ortax - Feb 26 2022

web provide readers with a solid foundation in structural stability theory it also offers them a practical working knowledge of how this theory translates into design specifications for safe steel structures

w f chen and e m lui structural stability theory and - Jun 01 2022

web w f chen and e m lui structural stability theory and implementation prentice hall upper saddle river 1987 references scientific research publishing

structural stability eolss - Feb 09 2023

web introduction types of instability 2 1 bifurcation instability 2 2 limit point instability 2 3 finite disturbance instability 2 4 snap through instability 3 stability of columns 3 1 differential equation approach 3 2 energy approach 3 3 galerkin s approach 3 4 matrix approach 3 5 finite element approach 4

structural stability w f chen e m pdf buckling scribd - Jun 13 2023

web the energy and numerical methods of analyzing a structure for its stability limit load are described in chapter 6 each of these later chapters sets out initially to state the basic principles of structural stability followed by the derivation of the necessary basic governing differential equations based on idealized conditions

structural stability from theory to practice sciencedirect - Aug 15 2023

web feb 1 2000 chen wf lui em structural stability theory and implementation new york elsevier 1987

chen and lui structural stability pqr uiaf gov co - Mar 30 2022

web merely said the chen and lui structural stability is universally compatible later than any devices to read stability design of steel frames wai fah chen 1991 01 01 buckling experiments experimental methods in buckling of thin walled structures volume 1 josef singer 1998 02 11 written by eminent researchers and renown authors of numerous

chen and lui structural stability agenciaojs mincyt gob ar - Dec 27 2021

web stability design of steel frames w f chen 1991 07 24 stability design of steel frames provides a summary of the behavior analysis and design of structural steel members and frames with flexibly jointed connections the book presents the theory and design of structural stability and includes extensions of computer based analyses for

chen and lui structural stability seminary fbny - Jan 28 2022

web chen and lui structural stability 1 chen and lui structural stability stability of structures stability design of semi rigid frames earthquake engineering for structural design structural stability theory and practice summation theorems in structural stability lrfd steel design using advanced analysis handbook of structural

structural stability from theory to practice sciencedirect - Mar 10 2023

web feb 1 2000 this paper deals with the state of the art advances and challenges related to coupled stability analysis of composite structures which show very complex stability behaviour two types of thin walled light weight structures endangered by buckling will be considered imperfection tolerant and imperfection sensitive structures

stability design of steel frames w f chen e m lui google - Dec 07 2022

web jul 24 1991 stability design of steel frames w f chen e m lui crc press jul 24 1991 technology engineering 394 pages

stability design of steel frames provides a summary of the behavior

structural stability theory and implementation google books - May 12 2023

web structural stability theory and implementation is a practical work that provides engineers and students in structural engineering or structured mechanics with the background needed to make

chen and lui structural stability pqr uiaf gov co - Apr 30 2022

web civil and structural engineering as well as a useful supplement to traditional books on the theory and design of structural stability principles of structural design w f chen 2005 10 31 many important advances in designing modern structures have occurred over the last several years structural engineers need an authoritative source of

structural stability by w f chen open library - Oct 05 2022

web mar 14 1997 structural stability by w f chen e m lui march 14 1997 prentice hall edition in english

chen and lui structural stability help environment harvard edu - Jan 08 2023

web chen and lui structural stability handbook of structural engineering aug 08 2022 continuing the tradition of the best selling handbook of structural engineering this second edition is a comprehensive reference to the broad spectrum of structural engineering encapsulating the theoretical practical and computational aspects of the field

structural stability theory implementation by wai fah chen - Aug 03 2022

web fstructural stability theory implementation by wai fah chen pdf structural stability theory and implementation is a practical work that provides engineers and students in structural engineering or structured mechanics with the background needed to make the transition from

structural stability theory and implementation google books - Apr 11 2023

web structural stability theory and implementation authors wai fah chen e m lui edition illustrated publisher elsevier 1987 isbn 0444011196 9780444011190

[chen lui structural stability theory and implementation pdf](#) - Jul 14 2023

web 1987 chen lui structural stability theory and implementation pdf free ebook download as pdf file pdf or view presentation slides online scribd is the world s largest social reading and publishing site

structural stability theory and implementation - Sep 04 2022

web aug 8 2017 the book starts with the fundamental structural stability principles together with the basic equations the volume gives readers a concise but really comprehensive introduction applying the theory and principles of structural stability considered really fundamental for the structural steel design to the practical solutions of design problems

[structural stability theory and implementation chen wai fah](#) - Nov 06 2022

web apr 1 1987 structural stability theory and implementation is a practical work that provides engineers and students in

structural engineering or structured mechanics with the background needed to make the transition from fundamental theory to practical design rules and computer implementation