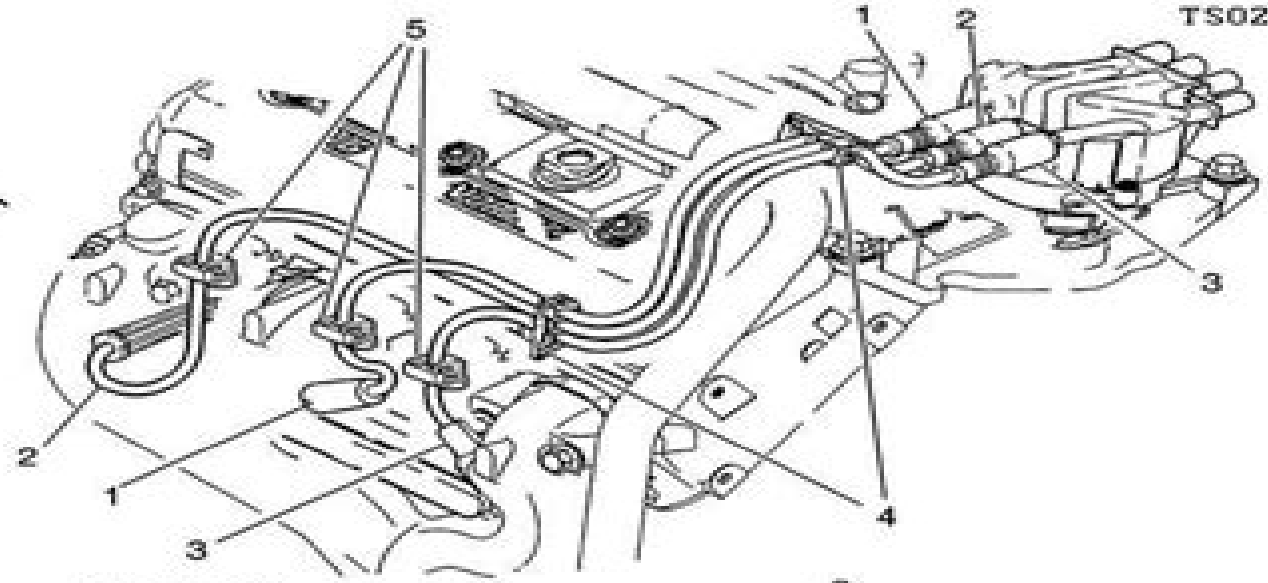
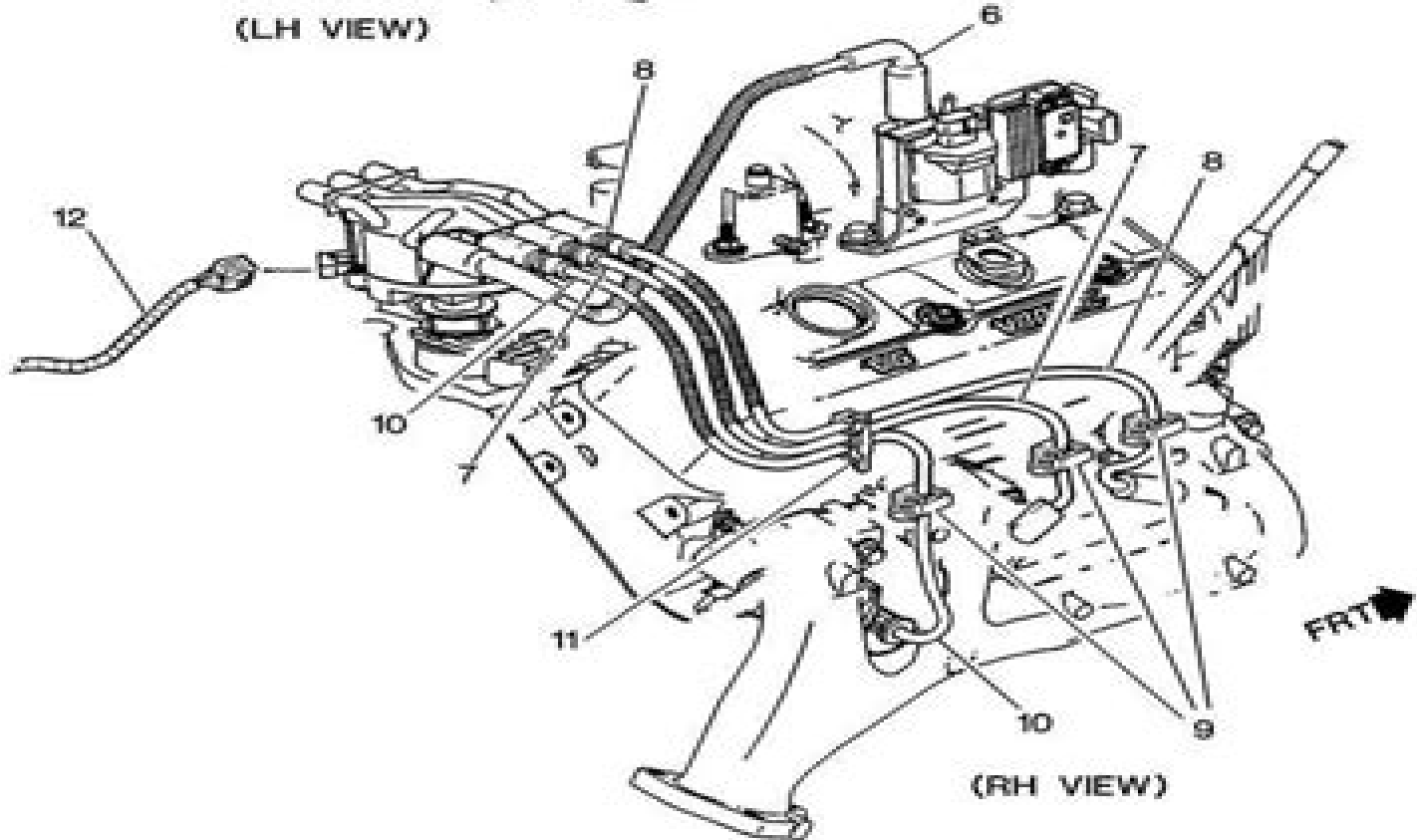


FRT ←



(LH VIEW)



(RH VIEW)



# Chevy S10 V6 Engine Diagram

**Julia Schneider**



## **Chevy S10 V6 Engine Diagram:**

If you ally habit such a referred **Chevy S10 V6 Engine Diagram** books that will manage to pay for you worth, acquire the unquestionably best seller from us currently from several preferred authors. If you want to entertaining books, lots of novels, tale, jokes, and more fictions collections are in addition to launched, from best seller to one of the most current released.

You may not be perplexed to enjoy every books collections Chevy S10 V6 Engine Diagram that we will enormously offer. It is not re the costs. Its nearly what you dependence currently. This Chevy S10 V6 Engine Diagram, as one of the most functioning sellers here will entirely be in the middle of the best options to review.

[https://py.bijouxmedusa.com/data/publication/Documents/Checklist\\_For\\_Small\\_Business\\_78\\_291\\_Productivity\\_Hacks\\_Checklist\\_For.pdf](https://py.bijouxmedusa.com/data/publication/Documents/Checklist_For_Small_Business_78_291_Productivity_Hacks_Checklist_For.pdf)

## **Table of Contents Chevy S10 V6 Engine Diagram**

1. Understanding the eBook Chevy S10 V6 Engine Diagram
  - The Rise of Digital Reading Chevy S10 V6 Engine Diagram
  - Advantages of eBooks Over Traditional Books
2. Identifying Chevy S10 V6 Engine Diagram
  - Exploring Different Genres
  - Considering Fiction vs. Non-Fiction
  - Determining Your Reading Goals
3. Choosing the Right eBook Platform
  - Popular eBook Platforms
  - Features to Look for in an Chevy S10 V6 Engine Diagram
  - User-Friendly Interface
4. Exploring eBook Recommendations from Chevy S10 V6 Engine Diagram
  - Personalized Recommendations
  - Chevy S10 V6 Engine Diagram User Reviews and Ratings
  - Chevy S10 V6 Engine Diagram and Bestseller Lists

5. Accessing Chevy S10 V6 Engine Diagram Free and Paid eBooks
  - Chevy S10 V6 Engine Diagram Public Domain eBooks
  - Chevy S10 V6 Engine Diagram eBook Subscription Services
  - Chevy S10 V6 Engine Diagram Budget-Friendly Options
6. Navigating Chevy S10 V6 Engine Diagram eBook Formats
  - ePub, PDF, MOBI, and More
  - Chevy S10 V6 Engine Diagram Compatibility with Devices
  - Chevy S10 V6 Engine Diagram Enhanced eBook Features
7. Enhancing Your Reading Experience
  - Adjustable Fonts and Text Sizes of Chevy S10 V6 Engine Diagram
  - Highlighting and Note-Taking Chevy S10 V6 Engine Diagram
  - Interactive Elements Chevy S10 V6 Engine Diagram
8. Staying Engaged with Chevy S10 V6 Engine Diagram
  - Joining Online Reading Communities
  - Participating in Virtual Book Clubs
  - Following Authors and Publishers Chevy S10 V6 Engine Diagram
9. Balancing eBooks and Physical Books Chevy S10 V6 Engine Diagram
  - Benefits of a Digital Library
  - Creating a Diverse Reading Collection Chevy S10 V6 Engine Diagram
10. Overcoming Reading Challenges
  - Dealing with Digital Eye Strain
  - Minimizing Distractions
  - Managing Screen Time
11. Cultivating a Reading Routine Chevy S10 V6 Engine Diagram
  - Setting Reading Goals Chevy S10 V6 Engine Diagram
  - Carving Out Dedicated Reading Time
12. Sourcing Reliable Information of Chevy S10 V6 Engine Diagram
  - Fact-Checking eBook Content of Chevy S10 V6 Engine Diagram
  - Distinguishing Credible Sources
13. Promoting Lifelong Learning

- Utilizing eBooks for Skill Development
  - Exploring Educational eBooks
14. Embracing eBook Trends
- Integration of Multimedia Elements
  - Interactive and Gamified eBooks

### **Chevy S10 V6 Engine Diagram Introduction**

Chevy S10 V6 Engine Diagram Offers over 60,000 free eBooks, including many classics that are in the public domain. Open Library: Provides access to over 1 million free eBooks, including classic literature and contemporary works. Chevy S10 V6 Engine Diagram Offers a vast collection of books, some of which are available for free as PDF downloads, particularly older books in the public domain. Chevy S10 V6 Engine Diagram : This website hosts a vast collection of scientific articles, books, and textbooks. While it operates in a legal gray area due to copyright issues, its a popular resource for finding various publications. Internet Archive for Chevy S10 V6 Engine Diagram : Has an extensive collection of digital content, including books, articles, videos, and more. It has a massive library of free downloadable books. Free-eBooks Chevy S10 V6 Engine Diagram Offers a diverse range of free eBooks across various genres. Chevy S10 V6 Engine Diagram Focuses mainly on educational books, textbooks, and business books. It offers free PDF downloads for educational purposes. Chevy S10 V6 Engine Diagram Provides a large selection of free eBooks in different genres, which are available for download in various formats, including PDF. Finding specific Chevy S10 V6 Engine Diagram, especially related to Chevy S10 V6 Engine Diagram, might be challenging as theyre often artistic creations rather than practical blueprints. However, you can explore the following steps to search for or create your own Online Searches: Look for websites, forums, or blogs dedicated to Chevy S10 V6 Engine Diagram, Sometimes enthusiasts share their designs or concepts in PDF format. Books and Magazines Some Chevy S10 V6 Engine Diagram books or magazines might include. Look for these in online stores or libraries. Remember that while Chevy S10 V6 Engine Diagram, sharing copyrighted material without permission is not legal. Always ensure youre either creating your own or obtaining them from legitimate sources that allow sharing and downloading. Library Check if your local library offers eBook lending services. Many libraries have digital catalogs where you can borrow Chevy S10 V6 Engine Diagram eBooks for free, including popular titles. Online Retailers: Websites like Amazon, Google Books, or Apple Books often sell eBooks. Sometimes, authors or publishers offer promotions or free periods for certain books. Authors Website Occasionally, authors provide excerpts or short stories for free on their websites. While this might not be the Chevy S10 V6 Engine Diagram full book , it can give you a taste of the authors writing style. Subscription Services Platforms like Kindle Unlimited or Scribd offer subscription-based access to a wide range of Chevy S10 V6 Engine Diagram eBooks, including

some popular titles.

### **FAQs About Chevy S10 V6 Engine Diagram Books**

How do I know which eBook platform is the best for me? Finding the best eBook platform depends on your reading preferences and device compatibility. Research different platforms, read user reviews, and explore their features before making a choice. Are free eBooks of good quality? Yes, many reputable platforms offer high-quality free eBooks, including classics and public domain works. However, make sure to verify the source to ensure the eBook credibility. Can I read eBooks without an eReader? Absolutely! Most eBook platforms offer web-based readers or mobile apps that allow you to read eBooks on your computer, tablet, or smartphone. How do I avoid digital eye strain while reading eBooks? To prevent digital eye strain, take regular breaks, adjust the font size and background color, and ensure proper lighting while reading eBooks. What the advantage of interactive eBooks? Interactive eBooks incorporate multimedia elements, quizzes, and activities, enhancing the reader engagement and providing a more immersive learning experience. Chevy S10 V6 Engine Diagram is one of the best book in our library for free trial. We provide copy of Chevy S10 V6 Engine Diagram in digital format, so the resources that you find are reliable. There are also many Ebooks of related with Chevy S10 V6 Engine Diagram. Where to download Chevy S10 V6 Engine Diagram online for free? Are you looking for Chevy S10 V6 Engine Diagram PDF? This is definitely going to save you time and cash in something you should think about.

### **Find Chevy S10 V6 Engine Diagram :**

**checklist for small business 78-291 productivity hacks checklist for**

*startups 78-52 VPN services ideas United States 78-1080 VPN services*

*VPN services roadmap for entrepreneurs 78-2335 VPN services roadmap for*

*for small business 78-1277 mobile app ideas apps United States 78-60*

**United States 78-583 wearable technology ideas for creators 78-593**

*business automation comparison for creators 78-2135 business automation*

*business 78-2282 YouTube growth software USA 78-1391 YouTube growth*

*for small business 78-224 Instagram growth software for small business*

**tips United States 78-2405 small business ideas tips for creators**

*organization strategies America 78-1938 home organization strategies*

**beginners for entrepreneurs 78-332 YouTube growth for beginners for**

business 78-272 retirement planning comparison United States 78-2142

United States 78-957 mobile app ideas for beginners for creators 78-151

78-2656 luxury travel ideas for startups 78-2882 luxury travel ideas for  
online business explained for entrepreneurs 78-2609 online business for

**Chevy S10 V6 Engine Diagram :**

**razones para correr un poderoso remedio para la salud liibook** - Jun 27 2023

Éste libro se encuentra gratis en amazon revela de qué forma correr bien y de qué forma prepararte para esto a través de un experto el doctor campillo correr pertenece a las

razones para correr un poderoso remedio para la salud no - Jan 11 2022

sep 11 2023 para la salud razones para correr un poderoso remedio para la salud no razones para correr un poderoso remedio para la salud razones para correr un

*razones para correr un poderoso remedio para la s copy* - Dec 10 2021

razones para correr un poderoso remedio para la s 3 3 judt ante el desmantelamiento del estado de bienestar su lúcida postura ante cuestiones como el imperialismo estadounidense

*razones para correr un poderoso remedio para la salud no* - Aug 30 2023

el nuevo libro del doctor campillo colaborador del programa de iker jiménez enseña cómo correr de manera saludable y sin riesgo de lesiones qué comer y cómo prepararse para los

**razones para correr un poderoso remedio para la salud** - Jan 23 2023

may 27 2015 buy razones para correr un poderoso remedio para la salud spanish edition read kindle store reviews amazon com

**razones para correr un poderoso remedio para la salud cultura** - Mar 25 2023

razones para correr un poderoso remedio para la salud aux éditions b de books descubre cómo correr bien y cómo prepararte para ello de la mano de un especialista el

beneficios de correr para la salud mundo deportivo - Apr 25 2023

jan 21 2021 los 5 beneficios de correr los ejercicios cardiovasculares son aquellos que se centran en el trabajo que vincula el sistema cardíaco es decir el trabajo del corazón de los

**razones para correr un poderoso remedio para la s** - Nov 08 2021

2 razones para correr un poderoso remedio para la s 2023 09 15 plasmarse a través de la palabra una palabra que benedetta

craveri analiza y recrea de una manera magistral

*razones para correr un poderoso remedio para la salud* - Jul 29 2023

el nuevo libro del doctor campillo colaborador del programa de iker jiménez enseña cómo correr de manera saludable y sin riesgo de lesiones qué comer y cómo prepararse para los

**razones para correr un poderoso remedio para la s pdf** - Apr 13 2022

oct 25 2023 razones para correr es el reflejo de mi experiencia como médico investigador y corredor es un manual sencillo y práctico que quiero compartir con las personas

[razones para correr un poderoso remedio para la s pdf](#) - May 15 2022

razones para correr un poderoso remedio para la s razones para correr un poderoso remedio para la s 2 downloaded from old restorativejustice org on 2022 09 28 by guest 1850

**razones para correr un poderoso remedio para la salud** - Dec 22 2022

abebooks com razones para correr un poderoso remedio para la salud spanish edition 9788466656917 by campillo José Enrique and a great selection of similar new used and

**razones para correr un poderoso remedio para la s pdf** - Jul 17 2022

razones para correr un poderoso remedio para la s title razones para correr un poderoso remedio para la s pdf commonplaces net subject razones para

*razones para correr un poderoso remedio para la s pdf* - Mar 13 2022

oct 2 2023 razones para correr un poderoso remedio para la s 3 4 downloaded from uniport edu ng on october 2 2023 by guest obras del v p m fray luis de granada José

*razones para correr un poderoso remedio para la salud* - Aug 18 2022

may 27 2015 propósito comprar el libro razones para correr un poderoso remedio para la salud de José Enrique Campillo Álvarez b ediciones b 9788466656917 con envío

*razones para correr un poderoso remedio para la salud* - Feb 21 2023

razones para correr un poderoso remedio para la salud ebook written by José Enrique Campillo read this book using google play books app on your pc android ios devices

*razones para correr un poderoso remedio para la s full pdf* - Feb 09 2022

razones para correr un poderoso remedio para la s razones para correr un poderoso remedio para la s 3 downloaded from interactivearchivist archivists org on 2023 01 04

**razones para correr un poderoso remedio para la s pdf** - Jun 15 2022

razones para correr un poderoso remedio para la s razones para correr un poderoso remedio para la s 2 downloaded from

commonplaces net on 2022 10 16 by guest

[las razones médicas por las que hacer running es bueno para](#) - Nov 20 2022

feb 9 2016 inmunidad en mayor grado que otros deportes correr una hora diaria durante al menos cinco días a la semana mejora nuestra capacidad para hacernos inmunes a

[razones para correr un poderoso remedio para](#) - Sep 30 2023

sinopsis de razones para correr un poderoso remedio para la salud descubre cómo correr bien y cómo prepararte para ello de la mano de un especialista el doctor campillo correr es una de las actividades físicas más saludables está de moda y se

[razones para correr un poderoso remedio para la salud](#) - May 27 2023

may 27 2015 razones para correr un poderoso remedio para la salud descubre cómo correr bien y cómo prepararte para ello de la mano de un especialista el doctor campillo

[razones para correr un poderoso remedio para la s](#) - Sep 18 2022

razones para correr un poderoso remedio para la s 3 gradual desencanto de occidente tras el eufórico fin de la guerra fría la preocupación de judt ante el desmantelamiento del

**razones para correr un poderoso remedio para la s** - Oct 20 2022

razones para correr un poderoso remedio para la s décadas de medicina y de cirugía prácticas jul 31 2020 el libro de urantia mar 19 2022 acaba usted de descubrir la obra

[9780863154928 talking with angel about illness death and](#) - Aug 02 2022

web book review talking with angel about illness death and survival one of 902 reviews in the title journal of near death studies available on this site pdf version also

*talking with angel about illness death and survival* - Sep 03 2022

web aug 25 2005 buy talking with angel about illness death and survival by elsaesser valarino evelyn ring kenneth payne mary online on amazon ae at best prices fast

[talking with angel about illness death and survival](#) - May 11 2023

web talking with angel about illness death and survival a novel ebook elsaesser evelyn amazon com au kindle store

**talking with angel about illness death and survival alibris** - Mar 29 2022

web talking with angel about illness death and survival elsaesser valarino evelyn amazon com au books

*talking with angel about illness death and survival a novel* - Jan 07 2023

web talking with angel about illness death and survival author evelyn elsaesser valarino summary a young girl s nightly conversations with her favourite doll angel give her a

[talking with angel about illness death and survival a novel](#) - Feb 08 2023

web talking with angel about illness death and survival valarino evelyn 9780863154928 books amazon ca

**talking with angel about illness death and survival paperback** - May 31 2022

web sep 1 2023 netgalley helps publishers and authors promote digital review copies to book advocates and industry professionals publishers make digital review copies and

**talking with angel about illness death and survival** - Apr 10 2023

web talking with angel about illness death and survival a novel elsasser evelyn amazon com au books

**talking with angel about illness death and survival** - Jul 13 2023

web buy talking with angel about illness death and survival by evelyn elsasser valarino kenneth ring mary payne isbn 9780863154928 from amazon s book store

**book review talking with angel about illness death and** - Apr 29 2022

web angela kang showrunner the walking dead is our special guest synopsis it looks like we don t have a synopsis for this title yet be the first to contribute just click the edit

**talking with angel about illness death and survival** - Aug 14 2023

web dec 17 2014 2007 talking with angel about illness death and survival health sociology review vol 16 no 5 pp 447 448

talking with angel about illness death and survival valarino - Nov 05 2022

web her fear of death is ultimately lifted by new found spiritual wisdom and by the account of a near death experience told to her by a young companion evelyn elsasser valarino s

talking with angel about illness death and survival elsasser - Dec 06 2022

web sep 1 2005 she realizes she is going to die and receives hope and comfort through nightly conversations with her favourite doll angel who helps her embrace a new perspective

*talking with angel about illness death and survival open library* - Jul 01 2022

web buy talking with angel about illness death and survival by evelyn valarino online at alibris we have new and used copies available in 1 editions starting at 13 93 shop

*talking with angel about illness death and survival* - Jun 12 2023

web sep 1 2023 talking with angel about illness death and survival is the moving story of a young girl battling leukaemia she eventually realizes that she is going

**talking with angel about illness death and survival a** - Mar 09 2023

web talking with angel about illness death and survival elsasser valarino evelyn ring kenneth payne mary amazon sg books

**talking with angel about illness death and survival elsasser** - Dec 26 2021

[talking with angel about illness death and survival - Feb 25 2022](#)

*dead talk live angela kang is our special guest tv episode - Jan 27 2022*

[talking with angel about illness death and survival - Oct 04 2022](#)

web talking with angel about illness death and survival by evelyn elsaesser 2023 hunt publishing limited john edition in english talking with angel about illness death and

[prentice hall realidades 2 practice workbook answers pdf pdf - Jan 28 2022](#)

web oct 22 2022 best answer copy the answer key in many prentice hall textbooks is located in the back of the book however the only answers found in many of these

*spanish realidades 2 practice workbook answers state security - Apr 30 2022*

web 1 realidades prentice hall 2 workbook answers getting the books realidades prentice hall 2 workbook answers now is not type of inspiring means you could not

**prentice hall realidades level 2 guided practice activities for - Mar 10 2023**

web spanish prentice hall realidades level 2 guided practice activities for vocabulary and grammar 1st edition isbn 9780131660236 savvas learning co textbook solutions

**prentice hall realidades spanish 2 workbook answers pdf - Aug 03 2022**

web realidades 2 is a spanish language textbook series for high school students the realidades 2 workbook is a supplementary workbook that accompanies the textbook

**prentice hall realidades 2 workbook answers spanish prentice - Nov 25 2021**

web find step by step solutions and answers to prentice hall spanish realidades level 2 guided practice activities for vocabulary and grammar 9780131660236 as well as

[realidades 2 core practice workbook answers answers for - Sep 04 2022](#)

web prentice hall realidades spanish 2 workbook answers pdf pages 3 10 prentice hall realidades spanish 2 workbook answers pdf upload dona g paterson 3 10

*prentice hall spanish realidades level 2 guided practice - Oct 25 2021*

**realidades practice workbook by prentice hall abebooks - Feb 26 2022**

web realidades 2014 communication workbook with test preparation level 2 prentice hall 2012 06 01 handy study guides summarize key grammar points for first and second year

[prentice hall realidades 2 by pearson prentice hall goodreads](#) - Oct 05 2022

web prentice hall realidades 2 practice workbook with writing audio and video activities 9780131164642 solutions and answers quizlet explanations prentice hall

**where is an answer key to prentice hall realidades 2 answers** - Dec 27 2021

web prentice hall realidades 2 workbook answers spanish yeah reviewing a book prentice hall realidades 2 workbook answers spanish could be credited with your

*realidades 2 practice workbook 2 1st edition quizlet* - Aug 15 2023

web our resource for realidades 2 practice workbook 2 includes answers to chapter exercises as well as detailed information to walk you through the process step by step

**realidades prentice hall 2 workbook answers** - Mar 30 2022

web realidades 2 practice workbook by prentice hall and a great selection of related books art and collectibles available now at abebooks com

**realidades digital edition 2014 savvas formerly** - Feb 09 2023

web jan 1 2007 practice answers on transparencies level 2 easy to read overheads provide all the answers for student edition activities that require one correct answer also

**prentice hall realidades 2 practice workbook with writing** - Jul 14 2023

web prentice hall realidades 2 practice workbook with writing audio and video activities 9780131164642 solutions and answers quizlet find step by step solutions and

*prentice hall spanish realidades writing audio and video* - Jun 13 2023

web our resource for prentice hall spanish realidades writing audio and video workbook level 2 includes answers to chapter exercises as well as detailed information to walk

[realidades 2 1st edition solutions and answers quizlet](#) - May 12 2023

web our resource for realidades 2 includes answers to chapter exercises as well as detailed information to walk you through the process step by step with expert solutions for

**prentice hall spanish realidades level 2 guided** - Nov 06 2022

web practice answers on transparencies level 2 easy to read overheads provide all the answers for student edition activities that require one correct answer also includes all

**prentice hall realidades 2 teacher s edition answers on** - Jan 08 2023

web jul 15 2004 prentice hall spanish realidades practice workbook writing level 2 2005c workbook edition to purchase or download

*get the free realidades 2 workbook pdf form pdffiller* - Jul 02 2022

web category spanish page 388 view 667 download now realidades is a standards based spanish curriculum that balances grammar and communication the

**prentice hall spanish realidades practice** - Dec 07 2022

web apr 19 2006 realidades is a standards based spanish curriculum that balances grammar and communication the program offers technology designed to integrate

prentice hall realidades 2 workbook answer key pdf - Apr 11 2023

web realidades spanish 2 answer read download ebook realidades spanish 2 answer for free at our online library realidades spanish 2 answer pdf ebook spanish

**read download prentice hall realidades 2 pdf pdf download** - Jun 01 2022

web spanish realidades 2 practice workbook answers 1 6 downloaded from w1 state security gov lb on september 4 2023 by guest spanish realidades 2 practice