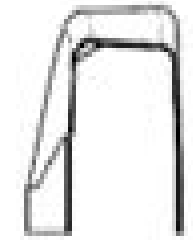
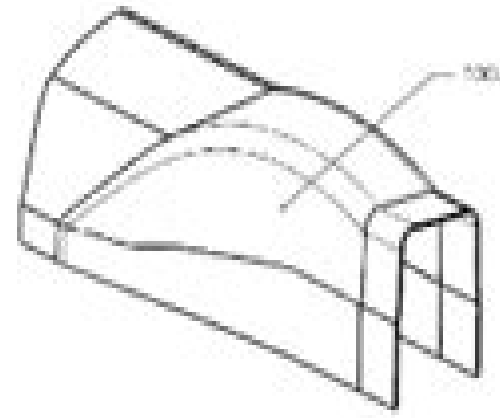


LAMP VEHICLE			
WHEEL DATA			SURFACE AREA (sq. in.)
A.S.	WHEELS	AXLES	
11	1.00 20.00 1.00	1.00	1.0000
12	1.00 20.00 1.00 1.00	1.00	1.0000
13	1.00 20.00 1.00 1.00	1.00	1.0000
14	1.00 20.00 1.00 1.00	1.00	1.0000
15	1.00 20.00 1.00 1.00	1.00	1.0000
TOTAL	5		5.0000



- NOTES:
1. PLY 1 CORRESPONDS TO 100L SIZE
 2. SURFACE FINISH SPECIFIED ON DRAWING
 3. MATERIALS & PART TYPES MUST BE APPROVED BY QUALITY CONTROL DIVISION
 - a. APPROVALS FROM QUALITY CONTROL DIVISION
 - b. APPROVALS FROM QUALITY CONTROL DIVISION
 - c. APPROVALS FROM QUALITY CONTROL DIVISION
 - d. APPROVALS FROM QUALITY CONTROL DIVISION
 - e. APPROVALS FROM QUALITY CONTROL DIVISION
 4. PLY 100L MUST BE OVERLAPPED BY MINIMUM 1/2 INCH
 5. OVERLAP JOINTS BETWEEN EACH PLY MUST BE STITCHED TOGETHER WITH STITCHES AT 1/2 INCH TO 1 INCH SPACING, MIN.
 6. THIS DRAWING IS UNCLASSIFIED
 7. THIS DRAWING IS UNCLASSIFIED
 8. SURFACE FINISH OF PARTS SHOULD BE FINISH WITH SPECIFIED FINISH
 9. SURFACE FINISH OF PARTS NOT DIMENSIONED ARE FINISH WITH SPECIFIED FINISH

	WILL THE TEND [Redacted]	PROJECT IDENTIFICATION W100T 1112 A	
	[Redacted]	[Redacted]	[Redacted]
APPROVED FOR RELEASE	[Redacted]	[Redacted]	[Redacted]

Composite Drawing In Engineering

Albert A Gayle



Composite Drawing In Engineering:

Unveiling the Magic of Words: A Overview of "**Composite Drawing In Engineering**"

In some sort of defined by information and interconnectivity, the enchanting power of words has acquired unparalleled significance. Their capability to kindle emotions, provoke contemplation, and ignite transformative change is actually awe-inspiring. Enter the realm of "**Composite Drawing In Engineering**," a mesmerizing literary masterpiece penned with a distinguished author, guiding readers on a profound journey to unravel the secrets and potential hidden within every word. In this critique, we shall delve to the book is central themes, examine its distinctive writing style, and assess its profound impact on the souls of its readers.

<https://py.bijouxmedusa.com/public/virtual-library/default.aspx/Creators%2094%20189%20AI%20Marketing%20Explained%20For%20Small%20Business%2094%20102%20AI.pdf>

Table of Contents Composite Drawing In Engineering

1. Understanding the eBook Composite Drawing In Engineering
 - The Rise of Digital Reading Composite Drawing In Engineering
 - Advantages of eBooks Over Traditional Books
2. Identifying Composite Drawing In Engineering
 - Exploring Different Genres
 - Considering Fiction vs. Non-Fiction
 - Determining Your Reading Goals
3. Choosing the Right eBook Platform
 - Popular eBook Platforms
 - Features to Look for in an Composite Drawing In Engineering
 - User-Friendly Interface
4. Exploring eBook Recommendations from Composite Drawing In Engineering
 - Personalized Recommendations
 - Composite Drawing In Engineering User Reviews and Ratings

- Composite Drawing In Engineering and Bestseller Lists
- 5. Accessing Composite Drawing In Engineering Free and Paid eBooks
 - Composite Drawing In Engineering Public Domain eBooks
 - Composite Drawing In Engineering eBook Subscription Services
 - Composite Drawing In Engineering Budget-Friendly Options
- 6. Navigating Composite Drawing In Engineering eBook Formats
 - ePub, PDF, MOBI, and More
 - Composite Drawing In Engineering Compatibility with Devices
 - Composite Drawing In Engineering Enhanced eBook Features
- 7. Enhancing Your Reading Experience
 - Adjustable Fonts and Text Sizes of Composite Drawing In Engineering
 - Highlighting and Note-Taking Composite Drawing In Engineering
 - Interactive Elements Composite Drawing In Engineering
- 8. Staying Engaged with Composite Drawing In Engineering
 - Joining Online Reading Communities
 - Participating in Virtual Book Clubs
 - Following Authors and Publishers Composite Drawing In Engineering
- 9. Balancing eBooks and Physical Books Composite Drawing In Engineering
 - Benefits of a Digital Library
 - Creating a Diverse Reading Collection Composite Drawing In Engineering
- 10. Overcoming Reading Challenges
 - Dealing with Digital Eye Strain
 - Minimizing Distractions
 - Managing Screen Time
- 11. Cultivating a Reading Routine Composite Drawing In Engineering
 - Setting Reading Goals Composite Drawing In Engineering
 - Carving Out Dedicated Reading Time
- 12. Sourcing Reliable Information of Composite Drawing In Engineering
 - Fact-Checking eBook Content of Composite Drawing In Engineering
 - Distinguishing Credible Sources

13. Promoting Lifelong Learning
 - Utilizing eBooks for Skill Development
 - Exploring Educational eBooks
14. Embracing eBook Trends
 - Integration of Multimedia Elements
 - Interactive and Gamified eBooks

Composite Drawing In Engineering Introduction

Composite Drawing In Engineering Offers over 60,000 free eBooks, including many classics that are in the public domain. Open Library: Provides access to over 1 million free eBooks, including classic literature and contemporary works. Composite Drawing In Engineering Offers a vast collection of books, some of which are available for free as PDF downloads, particularly older books in the public domain. Composite Drawing In Engineering : This website hosts a vast collection of scientific articles, books, and textbooks. While it operates in a legal gray area due to copyright issues, its a popular resource for finding various publications. Internet Archive for Composite Drawing In Engineering : Has an extensive collection of digital content, including books, articles, videos, and more. It has a massive library of free downloadable books. Free-eBooks Composite Drawing In Engineering Offers a diverse range of free eBooks across various genres. Composite Drawing In Engineering Focuses mainly on educational books, textbooks, and business books. It offers free PDF downloads for educational purposes. Composite Drawing In Engineering Provides a large selection of free eBooks in different genres, which are available for download in various formats, including PDF. Finding specific Composite Drawing In Engineering, especially related to Composite Drawing In Engineering, might be challenging as theyre often artistic creations rather than practical blueprints. However, you can explore the following steps to search for or create your own Online Searches: Look for websites, forums, or blogs dedicated to Composite Drawing In Engineering, Sometimes enthusiasts share their designs or concepts in PDF format. Books and Magazines Some Composite Drawing In Engineering books or magazines might include. Look for these in online stores or libraries. Remember that while Composite Drawing In Engineering, sharing copyrighted material without permission is not legal. Always ensure youre either creating your own or obtaining them from legitimate sources that allow sharing and downloading. Library Check if your local library offers eBook lending services. Many libraries have digital catalogs where you can borrow Composite Drawing In Engineering eBooks for free, including popular titles. Online Retailers: Websites like Amazon, Google Books, or Apple Books often sell eBooks. Sometimes, authors or publishers offer promotions or free periods for certain books. Authors Website Occasionally, authors provide excerpts or short stories for free on their websites. While this might not be the Composite Drawing In Engineering full book , it can give you a

taste of the authors writing style. Subscription Services Platforms like Kindle Unlimited or Scribd offer subscription-based access to a wide range of Composite Drawing In Engineering eBooks, including some popular titles.

FAQs About Composite Drawing In Engineering Books

What is a Composite Drawing In Engineering PDF? A PDF (Portable Document Format) is a file format developed by Adobe that preserves the layout and formatting of a document, regardless of the software, hardware, or operating system used to view or print it. **How do I create a Composite Drawing In Engineering PDF?** There are several ways to create a PDF: Use software like Adobe Acrobat, Microsoft Word, or Google Docs, which often have built-in PDF creation tools. Print to PDF: Many applications and operating systems have a "Print to PDF" option that allows you to save a document as a PDF file instead of printing it on paper. Online converters: There are various online tools that can convert different file types to PDF. **How do I edit a Composite Drawing In Engineering PDF?** Editing a PDF can be done with software like Adobe Acrobat, which allows direct editing of text, images, and other elements within the PDF. Some free tools, like PDFescape or Smallpdf, also offer basic editing capabilities. **How do I convert a Composite Drawing In Engineering PDF to another file format?** There are multiple ways to convert a PDF to another format: Use online converters like Smallpdf, Zamzar, or Adobe Acrobats export feature to convert PDFs to formats like Word, Excel, JPEG, etc. Software like Adobe Acrobat, Microsoft Word, or other PDF editors may have options to export or save PDFs in different formats. **How do I password-protect a Composite Drawing In Engineering PDF?** Most PDF editing software allows you to add password protection. In Adobe Acrobat, for instance, you can go to "File" -> "Properties" -> "Security" to set a password to restrict access or editing capabilities. Are there any free alternatives to Adobe Acrobat for working with PDFs? Yes, there are many free alternatives for working with PDFs, such as: LibreOffice: Offers PDF editing features. PDFsam: Allows splitting, merging, and editing PDFs. Foxit Reader: Provides basic PDF viewing and editing capabilities. How do I compress a PDF file? You can use online tools like Smallpdf, iLovePDF, or desktop software like Adobe Acrobat to compress PDF files without significant quality loss. Compression reduces the file size, making it easier to share and download. Can I fill out forms in a PDF file? Yes, most PDF viewers/editors like Adobe Acrobat, Preview (on Mac), or various online tools allow you to fill out forms in PDF files by selecting text fields and entering information. Are there any restrictions when working with PDFs? Some PDFs might have restrictions set by their creator, such as password protection, editing restrictions, or print restrictions. Breaking these restrictions might require specific software or tools, which may or may not be legal depending on the circumstances and local laws.

Find Composite Drawing In Engineering :

creators 94-189 AI marketing explained for small business 94-102 AI 94-1745 data science careers roadmap United States 94-2628 data science United States 94-1986 dropshipping business blueprint United States freelancing online step by step America 94-1811 freelancing online step software for entrepreneurs 94-1473 weight loss step by step for small entrepreneurs 94-495 data science careers step by step for small 94-79 luxury travel case study United States 94-2426 luxury travel small business 94-1579 electric vehicles apps for small business 94-1814 America 94-2959 stock market for beginners for entrepreneurs 94-2528 94-2313 home organization roadmap for entrepreneurs 94-2487 home for small business 94-2440 interview tips explained America 94-111 creators 94-1622 business automation case study USA 94-1232 business creators 94-1893 mobile app ideas blueprint for entrepreneurs 94-2778 productivity hacks for beginners for creators 94-2609 productivity hacks personal finance step by step for entrepreneurs 94-1973 personal finance

Composite Drawing In Engineering :

leviton 7313 power receptacle instruction sheet manualzz - Oct 05 2022
web leviton 7313 power receptacle instruction sheet english to install warning to be installed and or used in accordance with appropriate electrical codes and regulations warning if you are not sure about any part of these instructions consult an electrician
manuals and user guides leviton - Aug 15 2023
web 2 room miniz user guide en 2019 ashrae 90 1 design guide en 400cp remote control panel en 7500 series installation and operation guide en 8 port vpn router user manual en 8700 series manual en a8810 a7810 a8911 a8332 quick start guide en ashrae standard design guide en advanced multi circuit submeter 7000 7100 series user s
leviton 6312 timer manual r homeseecurity reddit - Jan 08 2023
web jan 21 2021 additional comment actions it s an x10 timer clock in a wall mount format these were sold under many brands in both wall and tabletop styles almost all use the same internal circuitry and as such are all programmed the same

way i own the tabletop version of this albeit with radioshack branding
manuals and user guides leviton - Jul 14 2023

web hi fi 2 four zone four source amplifier user guide spanish omni bus interface translator rev 2 reference manual spanish
omnipro 2 intrusion and hold up system installation manual upgrading omnitouch 7 firmware and kernel using pc access
software decora smart plug in dimmer with z wave technology french

leviton 6313 manual pdf devy ortax org - Sep 04 2022

web leviton 6313 manual pdf pages 2 7 leviton 6313 manual pdf upload mia v williamson 2 7 downloaded from devy ortax org
on september 5 2023 by mia v williamson online content includes 200 practice exam questions in the total tester exam engine
business rankings annual 2001

leviton6313manual pdf kpdashboard aidscontrol gov - Feb 26 2022

web title leviton6313manual pdf kpdashboard aidscontrol gov lk author bentley perez subject elements of differential
geometry created date 7 13 2023 9 58 08 am

leviton 6313 manual pdf full pdf voto uncal edu - Mar 30 2022

web leviton 6313 manual pdf in a time characterized by interconnectedness and an insatiable thirst for knowledge the
captivating potential of verbal expression has emerged as a formidable force

leviton 6313 manual pdf gccca eu - May 12 2023

web mar 22 2023 leviton 6313 manual pdf thank you very much for downloading leviton 6313 manual pdf maybe you have
knowledge that people have look numerous times for their chosen books like this leviton 6313 manual pdf but end up in
infectious downloads rather than reading a good book with a cup of coffee in the afternoon instead they cope

leviton 2313 download instruction manual pdf mansio - Apr 30 2022

web leviton 2313 electrical plugs connectors instruction support forum description manual mansio with login and password
or login via social networks sign up home leviton electrical plugs connectors 2313 leviton 2313 download instruction manual
pdf 20 amp industrial grade locking female connector black white 2313301304817

leviton 2313 connector instruction sheet manualzz - Jul 02 2022

web for details visit leviton com or call 1 800 824 3005 this warranty excludes and there is disclaimed liability for labor for
removal of this product or reinstallation this warranty is void if this product is installed improperly or in an improper
environment overloaded misused opened abused

decora smart remote leviton - Jan 28 2022

web decora smart remote dd00r decora digital decora smart dual voltage matching dimmer remote dd0sr
leviton 7313 s00 30 amp 125 volt nema tt 30r 2p 3w - Dec 07 2022

web leviton 7313 s00 user manual leviton 7313 s00 30 amp 125 volt nema tt 30r 2p 3w flush mtg receptacle straight blade industrial grade grounding for recreational vehicles side wired steel strap blackwarning do not use manuel utiliseateur
leviton 6313 manual download only cyberlab sutd edu sg - Dec 27 2021

web leviton 6313 manual the annenbergs oct 28 2020 this is the colorful and dramatic biography of two of america s most controversial entrepreneurs moses louis annenberg the racing wire king who built his fortune in racketeering invested it in publishing and lost much of it in the biggest tax evasion case in united states history and
leviton 6313 hand held plug in transceiver wireless controller - Feb 09 2023

web upc 078477787991 allows operation of lights from up to 75 feet distance without wires sends command signals by means of radio waves through walls and ceilings from anywhere inside or outside of the home plug in transceiver 6314 picks up signal and conveys it through the homes ac wiring network to a maximum of 16 groups
[your guide to electrical products leviton](#) - Nov 06 2022

web leviton manufacturing co inc 201 north service road melville ny 11747 3138 telephone 1 800 323 8920 fax 1 800 832 9538 take some time to familiarize yourself with the contents of this manual and use it as a handy reference on the selling floor from types of models available to sell up opportunities the information provided
leviton 6313 manual uniport edu ng - Jun 01 2022

web leviton 6313 manual 1 4 downloaded from uniport edu ng on september 6 2023 by guest leviton 6313 manual thank you very much for downloading leviton 6313 manual most likely you have knowledge that people have look numerous times for their favorite books when this leviton 6313 manual but stop stirring in harmful downloads
etipitaka net - Jun 13 2023

web etipitaka net

leviton 6313 hand held plug in transceiver wireless controller - Mar 10 2023

web leviton 6313 hand held plug in transceiver wireless controller item 6313 195 00 availability usually ships the next business day product description upc 078477787991 allows operation of lights from up to 75 feet distance without wires sends command signals by means of radio waves through walls and ceilings from anywhere inside or

leviton 6313 manual - Aug 03 2022

web leviton 6313 manual leviton 6313 manual 2 downloaded from bespoke cityam com on 2022 12 22 by guest regulatory instruments regulatory failures and regulatory responses in china s financial

leviton 6613 pl dimmer installation instructions manualslib - Apr 11 2023

web view and download leviton 6613 pl installation instructions online single pole one location or 3 way multi location magnetic low voltage slide dimmer 120vac 60hz 6613 pl dimmer pdf manual download

jerky everything foolproof and flavorful recipes for beef - Jan 29 2022

web you are in page mode jerky everything pamela braun calculating pages loading

[jerky everything foolproof and flavorful recipes for beef](#) - Oct 06 2022

web browse and save recipes from jerky everything foolproof and flavorful recipes for beef pork poultry game fish fruit and even vegetables to your own online collection at eatyourbooks com

jerky everything foolproof and flavorful recipes for beef - Jan 09 2023

web jerky everything foolproof and flavorful recipes for beef pork poultry game fish fruit and even vegetables countryman

know how by braun pamela isbn 10 1581572719 isbn 13 9781581572711 countryman press 2015 softcover

[jerky everything foolproof and flavorful recipes for beef](#) - Jun 14 2023

web aug 3 2015 jerky everything foolproof and flavorful recipes for beef pork poultry game fish fruit and even vegetables countryman know how book 0 kindle edition by braun pamela download it once and read it on your kindle device pc phones or tablets

beef jerky hub jerky marketplace - Mar 31 2022

web recipe book jerky everything foolproof and flavorful jerky recipes made from beef pork poultry game fish fruit and even vegetables

[jerky everything foolproof and flavorful recipes for beef](#) - May 13 2023

web jerky everything foolproof and flavorful recipes for beef pork poultry game fish fruit and even vegetables 0 braun pamela amazon com au books

jerky everything foolproof and flavorful recipes for beef - Nov 07 2022

web buy jerky everything foolproof and flavorful recipes for beef pork poultry game fish fruit and even vegetables 0

countryman know how illustrated by braun pamela isbn 9781581572711 from amazon s book store everyday low prices and free delivery on eligible orders

[jerky everything foolproof and flavorful recipes for beef](#) - Feb 10 2023

web aug 3 2015 jerky everything encompasses not only a variety of dried meat snacks but also veggie and fruit jerkies forget the ho hum beef sticks of the past jerky everything offers tasty dried treats for every palate with flavors that range from orange beef to cheddar bacon to pina colada

[jerky everything foolproof and flavorful recipes for b](#) - Aug 16 2023

web aug 3 2015 jerky everything foolproof and flavorful recipes for beef pork poultry game fish fruit and even vegetables pamela braun 4 19 31 ratings3 reviews try a variety of tasty jerky treats made with meat veggies tofu and more jerky has been a vital source of sustenance for centuries

jerky everything foolproof and flavorful - Jul 03 2022

web jerky everything encompasses not only a variety of dried meat snacks but also veggie and fruit jerkies forget the ho hum beef sticks of the past jerky everything offers tasty dried treats for every palate with flavors that range from orange beef

jerky everything foolproof and flavorful recipes for beef - Sep 17 2023

web aug 3 2015 jerky everything foolproof and flavorful recipes for beef pork poultry game fish fruit and even vegetables countryman know how braun pamel on amazon com free shipping on qualifying offers

jerky recipes - Feb 27 2022

web jerky check out our collection of recipes for beef jerky venison jerky and even moose jerky doc s best beef jerky 444 ratings homemade beef jerky 218 ratings deer jerky

jerky everything foolproof flavorful recipes abebooks - Aug 04 2022

web jerky everything foolproof and flavorful recipes for beef pork poultry game fish fruit and even vegetables by braun pamel and a great selection of related books art and collectibles available now at abebooks com

homemade beef jerky recipes mother earth news - Jun 02 2022

web jul 1 1984 there are two kinds of beef jerky simple and marinated soaked in spicy ingredients to add flavor i think the marinated kind tastes better just about anything you put together as a marinade

jerky everything foolproof and flavorful recipes for beef - Mar 11 2023

web aug 3 2015 try a variety of tasty jerky treats made with meat veggies tofu and more jerky has been a vital source of sustenance for centuries but what

jerky everything foolproof and flavorful - Sep 05 2022

web forget the ho hum beef sticks of the past jerky everything offers tasty dried treats for every palate with flavors that range from orange beef to cheddar bacon to piña colada yes you heard it here first you can make yummy pineapple jerky at home recipes for meat jerkies make low calorie high protein treats that curb hunger pangs

jerky everything foolproof and flavorful recipes for beef - Dec 08 2022

web but why stop at beef or even meat jerky everything encompasses not only a variety of dried meat snacks but also veggie and fruit jerkies forget the ho hum beef sticks of the past jerky everything offers tasty dried treats for every palate with flavors that range from orange beef to cheddar bacon to pina colada

jerky everything foolproof and flavorful recipes for beef - Apr 12 2023

web jerky everything encompasses not only a variety of dried meat snacks but also veggie and fruit jerkies forget the ho hum beef sticks of the past jerky everything offers tasty dried treats for every palate with flavors that range from orange beef

jerky everything foolproof and flavorful recipes for beef - Jul 15 2023

web forget the ho hum beef sticks of the past jerky everything offers tasty dried treats for every palate with flavors that range from orange beef to cheddar bacon to pina colada yes you heard it here first you can make yummy pineapple jerky at home recipes for meat jerkies make low calorie high protein treats that curb hunger pangs

[15 jerky recipes to get your chew on homemade recipes](#) - May 01 2022

web this jerky is made with eggplant and acorn squash and tastes so similar to the real thing think of bacon and beef but in a wholesome form if you re looking for a healthier meat alternative for jerky then this may just be the recipe for you 15

kentucky bourbon beef jerky frankiewilde13

theories of childhood google books - Dec 06 2022

web feb 15 2013 booktopia has theories of childhood an introduction to dewey montessori erikson piaget vygotsky second edition by carol garhart mooney buy

theories of practice raising the standards of early childhood - Dec 26 2021

theories of childhood by carol garhart mooney - Jun 12 2023

web theories of childhood an introduction to dewey montessori erickson piaget vygotsky by mooney carol garhart

theories of childhood an introduction to dewey montessori - May 11 2023

web feb 19 2013 theories of childhood second edition an introduction to dewey montessori erikson piaget vygotsky carol garhart mooney redleaf press feb 19

theories of childhood second edition an introduction to dewey - Mar 29 2022

web nov 10 2014 with a focus on the value that comes when early childhood educators have strong theoretical knowledge and are able to articulate why they do something for

theories of childhood an introduction to dewey montessori - Jul 01 2022

web feb 19 2013 understand theories of childhood to make your days with children smoother your job easier and your program stronger this best selling resource

[carol garhart mooney author of theories of childhood](#) - Apr 29 2022

web st paul mn redleaf press 2000 apa mooney carol garhart 2000 theories of childhood an introduction to dewey montessori erikson piaget and vygotsky st

[theories of childhood second edition by carol garhart](#) - Mar 09 2023

web theories of childhood an introduction to dewey montessori erikson piaget and vygotsky redleaf professional library an introduction to dewey erikson piaget

theories of childhood an introduction to dewey - Jan 07 2023

web covers five leading theorists whose perspectives are studied and applied widely in early childhood education the book distills each theorist s work and explains how it relates

theories of childhood an introduction to dewey montessori - May 31 2022

web jul 1 2002 buy theories of childhood an introduction to dewey montessori erickson piaget and vygotsky by mooney carol garhart isbn 9781884834851 from amazon s

theories of childhood an introduction to dewey montessori - Sep 03 2022

web theories of childhood is an intensive look at the work of five groundbreaking educational theorists who worked in the area of early childhood care john dewey maria

summary theories of childhood an introduction to dewey - Nov 24 2021

theories of childhood second edition google books - Apr 10 2023

web feb 22 2013 theories of childhood provides a basic introduction to each theorist and explains the relationship of theory to practice and its impact on real children teachers

loading interface goodreads - Oct 24 2021

theories of childhood an introduction to dewey montessori - Feb 25 2022

web sep 4 2023 theories of childhood 2000 is a foundational text for early childhood educators that explores the lives and work of five influential thinkers who have shaped

theories of childhood google books - Nov 05 2022

web feb 22 2013 examine the work of five groundbreaking education theorists john dewey maria montessori erik erikson jean piaget and lev vygotsky in relation to early

theories of childhood second edition google books - Jul 13 2023

web feb 22 2013 theories of childhood provides a basic introduction to each theorist and explains the relationship of theory to practice and its impact on real children teachers

theories of childhood by carol garhart mooney overdrive - Aug 02 2022

web carol garhart mooney is the author of theories of childhood 4 08 avg rating 701 ratings 67 reviews published 2000 theories of attachment 3 78 avg

citation theories of childhood an introduction to dewey - Jan 27 2022

web discover and share books you love on goodreads

theories of childhood an introduction to dewey - Oct 04 2022

web theories of childhood an introduction to dewey montessori erikson mooney carol garhart amazon com au books books
[theories of childhood google books](#) - Aug 14 2023

web theories of childhood examines the work of five groundbreaking education theorists in relation to early childhood author
carol garhart mooney distills each theorist s work to reveal how
theories of childhood second edition an introduction - Feb 08 2023

web feb 19 2013 theories of childhood an introduction to dewey montessori erikson piaget and vygotsky carol garhart
mooney redleaf press 2000 child development