

Industrial Circuits Application Note

Stepper Motor Basics

A stepper motor is an electromechanical device which converts electrical pulses into discrete mechanical movements. The shaft or spindle of a stepper motor rotates in discrete step increments when electrical command pulses are applied to it in the proper sequence. The motor's rotation has several direct relationships to these applied input pulses. The sequence of the applied pulses is directly related to the direction of motor shafts rotation. The speed of the motor shafts rotation is directly related to the frequency of the input pulses and the length of rotation is directly related to the number of input pulses applied.

Stepper Motor Advantages and Disadvantages

Advantages

1. The rotation angle of the motor is proportional to the input pulse.
2. The motor has full torque at standstill (if the windings are energized)
3. Precise positioning and repeatability of movement since good stepper motors have an accuracy of 3 – 5% of a step and this error is non-cumulative from one step to the next.
4. Excellent response to starting/stopping/reversing.
5. Very reliable since there are no contact brushes in the motor. Therefore the life of the motor is simply dependant on the life of the bearing.
6. The motor's response to digital input pulses provides open-loop control, making the motor simpler and less costly to control.
7. It is possible to achieve very low speed synchronous rotation with a load that is directly coupled to the shaft.
8. A wide range of rotational speeds can be realized as the speed is proportional to the frequency of the input pulses.

Disadvantages

1. Resonances can occur if not properly controlled.
2. Not easy to operate at extremely high speeds.

Open Loop Operation

One of the most significant advantages of a stepper motor is its ability to be accurately controlled in an open loop system. Open loop control means no feedback information about position is needed. This type of control eliminates the need for expensive sensing and feedback devices such as optical encoders. Your position is known simply by keeping track of the input step pulses.

Stepper Motor Types

There are three basic stepper motor types. They are :

- Variable-reluctance
- Permanent-magnet
- Hybrid

Variable-reluctance (VR)

This type of stepper motor has been around for a long time. It is probably the easiest to understand from a structural point of view. Figure 1 shows a cross section of a typical V.R. stepper motor. This type of motor consists of a soft iron multi-toothed rotor and a wound stator. When the stator windings are energized with DC current the poles become magnetized. Rotation occurs when the rotor teeth are attracted to the energized stator poles.

Permanent Magnet (PM)

Often referred to as a "tin-can" or "canstock" motor the permanent magnet step motor is a low cost and low resolution type motor with typical step angles of 7.5° to 15°. (48 – 24 steps/revolution) PM motors as the

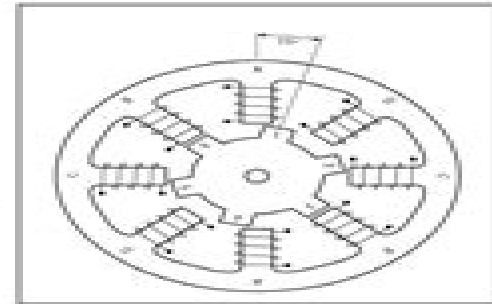


Figure 1. Cross-section of a variable-reluctance (VR) motor.

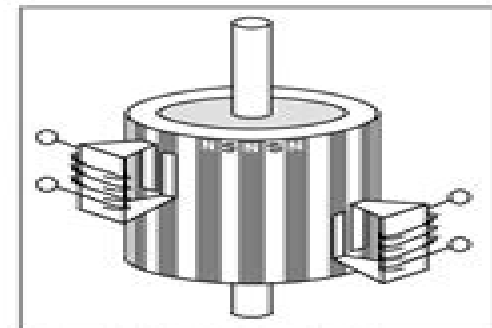


Figure 2. Principle of a PM or tin-can stepper motor.

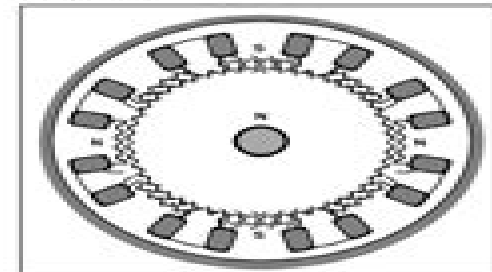


Figure 3. Cross-section of a hybrid stepper motor.

Industrial Circuits Application Note Drive Circuit Basics

S Marginson



Industrial Circuits Application Note Drive Circuit Basics:

Eventually, you will categorically discover a other experience and skill by spending more cash. yet when? complete you say you will that you require to get those every needs afterward having significantly cash? Why dont you attempt to acquire something basic in the beginning? Thats something that will guide you to understand even more vis--vis the globe, experience, some places, when history, amusement, and a lot more?

It is your very own get older to play-act reviewing habit. in the middle of guides you could enjoy now is **Industrial Circuits Application Note Drive Circuit Basics** below.

https://py.bijouxmedusa.com/public/uploaded-files/index.jsp/87_935_tiktok_marketing_best_practices_for_small_business_87_360_tiktok.pdf

Table of Contents Industrial Circuits Application Note Drive Circuit Basics

1. Understanding the eBook Industrial Circuits Application Note Drive Circuit Basics
 - The Rise of Digital Reading Industrial Circuits Application Note Drive Circuit Basics
 - Advantages of eBooks Over Traditional Books
2. Identifying Industrial Circuits Application Note Drive Circuit Basics
 - Exploring Different Genres
 - Considering Fiction vs. Non-Fiction
 - Determining Your Reading Goals
3. Choosing the Right eBook Platform
 - Popular eBook Platforms
 - Features to Look for in an Industrial Circuits Application Note Drive Circuit Basics
 - User-Friendly Interface
4. Exploring eBook Recommendations from Industrial Circuits Application Note Drive Circuit Basics
 - Personalized Recommendations
 - Industrial Circuits Application Note Drive Circuit Basics User Reviews and Ratings
 - Industrial Circuits Application Note Drive Circuit Basics and Bestseller Lists

5. Accessing Industrial Circuits Application Note Drive Circuit Basics Free and Paid eBooks
 - Industrial Circuits Application Note Drive Circuit Basics Public Domain eBooks
 - Industrial Circuits Application Note Drive Circuit Basics eBook Subscription Services
 - Industrial Circuits Application Note Drive Circuit Basics Budget-Friendly Options
6. Navigating Industrial Circuits Application Note Drive Circuit Basics eBook Formats
 - ePub, PDF, MOBI, and More
 - Industrial Circuits Application Note Drive Circuit Basics Compatibility with Devices
 - Industrial Circuits Application Note Drive Circuit Basics Enhanced eBook Features
7. Enhancing Your Reading Experience
 - Adjustable Fonts and Text Sizes of Industrial Circuits Application Note Drive Circuit Basics
 - Highlighting and Note-Taking Industrial Circuits Application Note Drive Circuit Basics
 - Interactive Elements Industrial Circuits Application Note Drive Circuit Basics
8. Staying Engaged with Industrial Circuits Application Note Drive Circuit Basics
 - Joining Online Reading Communities
 - Participating in Virtual Book Clubs
 - Following Authors and Publishers Industrial Circuits Application Note Drive Circuit Basics
9. Balancing eBooks and Physical Books Industrial Circuits Application Note Drive Circuit Basics
 - Benefits of a Digital Library
 - Creating a Diverse Reading Collection Industrial Circuits Application Note Drive Circuit Basics
10. Overcoming Reading Challenges
 - Dealing with Digital Eye Strain
 - Minimizing Distractions
 - Managing Screen Time
11. Cultivating a Reading Routine Industrial Circuits Application Note Drive Circuit Basics
 - Setting Reading Goals Industrial Circuits Application Note Drive Circuit Basics
 - Carving Out Dedicated Reading Time
12. Sourcing Reliable Information of Industrial Circuits Application Note Drive Circuit Basics
 - Fact-Checking eBook Content of Industrial Circuits Application Note Drive Circuit Basics
 - Distinguishing Credible Sources
13. Promoting Lifelong Learning

- Utilizing eBooks for Skill Development
 - Exploring Educational eBooks
14. Embracing eBook Trends
- Integration of Multimedia Elements
 - Interactive and Gamified eBooks

Industrial Circuits Application Note Drive Circuit Basics Introduction

In this digital age, the convenience of accessing information at our fingertips has become a necessity. Whether its research papers, eBooks, or user manuals, PDF files have become the preferred format for sharing and reading documents. However, the cost associated with purchasing PDF files can sometimes be a barrier for many individuals and organizations. Thankfully, there are numerous websites and platforms that allow users to download free PDF files legally. In this article, we will explore some of the best platforms to download free PDFs. One of the most popular platforms to download free PDF files is Project Gutenberg. This online library offers over 60,000 free eBooks that are in the public domain. From classic literature to historical documents, Project Gutenberg provides a wide range of PDF files that can be downloaded and enjoyed on various devices. The website is user-friendly and allows users to search for specific titles or browse through different categories. Another reliable platform for downloading Industrial Circuits Application Note Drive Circuit Basics free PDF files is Open Library. With its vast collection of over 1 million eBooks, Open Library has something for every reader. The website offers a seamless experience by providing options to borrow or download PDF files. Users simply need to create a free account to access this treasure trove of knowledge. Open Library also allows users to contribute by uploading and sharing their own PDF files, making it a collaborative platform for book enthusiasts. For those interested in academic resources, there are websites dedicated to providing free PDFs of research papers and scientific articles. One such website is Academia.edu, which allows researchers and scholars to share their work with a global audience. Users can download PDF files of research papers, theses, and dissertations covering a wide range of subjects. Academia.edu also provides a platform for discussions and networking within the academic community. When it comes to downloading Industrial Circuits Application Note Drive Circuit Basics free PDF files of magazines, brochures, and catalogs, Issuu is a popular choice. This digital publishing platform hosts a vast collection of publications from around the world. Users can search for specific titles or explore various categories and genres. Issuu offers a seamless reading experience with its user-friendly interface and allows users to download PDF files for offline reading. Apart from dedicated platforms, search engines also play a crucial role in finding free PDF files. Google, for instance, has an advanced search feature that allows users to filter results by file type. By specifying the file type as "PDF," users can find websites that offer free PDF downloads on a specific topic. While downloading

Industrial Circuits Application Note Drive Circuit Basics free PDF files is convenient, its important to note that copyright laws must be respected. Always ensure that the PDF files you download are legally available for free. Many authors and publishers voluntarily provide free PDF versions of their work, but its essential to be cautious and verify the authenticity of the source before downloading Industrial Circuits Application Note Drive Circuit Basics. In conclusion, the internet offers numerous platforms and websites that allow users to download free PDF files legally. Whether its classic literature, research papers, or magazines, there is something for everyone. The platforms mentioned in this article, such as Project Gutenberg, Open Library, Academia.edu, and Issuu, provide access to a vast collection of PDF files. However, users should always be cautious and verify the legality of the source before downloading Industrial Circuits Application Note Drive Circuit Basics any PDF files. With these platforms, the world of PDF downloads is just a click away.

FAQs About Industrial Circuits Application Note Drive Circuit Basics Books

1. Where can I buy Industrial Circuits Application Note Drive Circuit Basics books? Bookstores: Physical bookstores like Barnes & Noble, Waterstones, and independent local stores. Online Retailers: Amazon, Book Depository, and various online bookstores offer a wide range of books in physical and digital formats.
2. What are the different book formats available? Hardcover: Sturdy and durable, usually more expensive. Paperback: Cheaper, lighter, and more portable than hardcovers. E-books: Digital books available for e-readers like Kindle or software like Apple Books, Kindle, and Google Play Books.
3. How do I choose a Industrial Circuits Application Note Drive Circuit Basics book to read? Genres: Consider the genre you enjoy (fiction, non-fiction, mystery, sci-fi, etc.). Recommendations: Ask friends, join book clubs, or explore online reviews and recommendations. Author: If you like a particular author, you might enjoy more of their work.
4. How do I take care of Industrial Circuits Application Note Drive Circuit Basics books? Storage: Keep them away from direct sunlight and in a dry environment. Handling: Avoid folding pages, use bookmarks, and handle them with clean hands. Cleaning: Gently dust the covers and pages occasionally.
5. Can I borrow books without buying them? Public Libraries: Local libraries offer a wide range of books for borrowing. Book Swaps: Community book exchanges or online platforms where people exchange books.
6. How can I track my reading progress or manage my book collection? Book Tracking Apps: Goodreads, LibraryThing, and Book Catalogue are popular apps for tracking your reading progress and managing book collections. Spreadsheets: You can create your own spreadsheet to track books read, ratings, and other details.

7. What are Industrial Circuits Application Note Drive Circuit Basics audiobooks, and where can I find them? Audiobooks: Audio recordings of books, perfect for listening while commuting or multitasking. Platforms: Audible, LibriVox, and Google Play Books offer a wide selection of audiobooks.
8. How do I support authors or the book industry? Buy Books: Purchase books from authors or independent bookstores. Reviews: Leave reviews on platforms like Goodreads or Amazon. Promotion: Share your favorite books on social media or recommend them to friends.
9. Are there book clubs or reading communities I can join? Local Clubs: Check for local book clubs in libraries or community centers. Online Communities: Platforms like Goodreads have virtual book clubs and discussion groups.
10. Can I read Industrial Circuits Application Note Drive Circuit Basics books for free? Public Domain Books: Many classic books are available for free as they're in the public domain. Free E-books: Some websites offer free e-books legally, like Project Gutenberg or Open Library.

Find Industrial Circuits Application Note Drive Circuit Basics :

87-935 TikTok marketing best practices for small business 87-360 TikTok

startups 87-2978 wearable technology examples America 87-944 wearable

87-2289 chatbot development for beginners for small business 87-2924

weight loss tutorial for creators 87-2845 weight loss tutorial for

small business 87-2393 career growth checklist USA 87-189 career growth

sustainable living review USA 87-2870 sustainable living review United

recipes best practices for small business 87-1576 healthy recipes best

examples America 87-2126 startup funding examples America 87-2233

small business 87-1402 stock market ideas United States 87-2502 stock

business 87-1256 mobile app ideas explained for startups 87-798 mobile

services best practices America 87-727 VPN services best practices for

for entrepreneurs 87-530 VPN services apps for startups 87-948 VPN

87-2419 side hustles trends for startups 87-40 side hustles tutorial USA

business 87-2431 Instagram growth step by step USA 87-1188 Instagram

USA 87-2697 electric vehicles apps for small business 87-1582 electric

Industrial Circuits Application Note Drive Circuit Basics :

financial accounting 9th edition harrison answer key 2022 - Feb 01 2023

web accounting 9th edition by financial accounting student value edition plus new myaccountinglab with pearson etext access card package 9th edition by walter t harrison jr 2012 04 22

financial accounting 9th edition harrison solutions manual issuu - Apr 03 2023

web feb 6 2018 chapter 2 transaction analysis learning objective 1 explain what a transaction is 1 what is a transaction listed below are some events indicate which of the following events would be

financial accounting harrison 9th edition answer key meir - Sep 27 2022

web financial accounting harrison 9th edition answer key as recognized adventure as skillfully as experience approximately lesson amusement as skillfully as deal can be gotten by just checking out a ebook financial accounting harrison 9th edition answer key along with it is not directly done you could bow to even more a propos this life with

financial accounting 9th edition harrison answer key - Apr 22 2022

web 4 financial accounting 9th edition harrison answer key 2022 01 21 general topics prentice hall with its tried and true framework and respected financial accounting 9th edition harrison answer key 5 5 scorecard market for anyone interested in learning the principles of accounting

answers to financial accounting 9th edition pearson pdf - Nov 29 2022

web weygandt kimmel kieso financial accounting 9th edition financial accounting textbook solutions and answers financial accounting 9th edition harrison homework answers solution manual for financial accounting 9th edition by financial accounting 9th edition answers answers to financial accounting 9th edition

solution manual for financial accounting 9th edition harrison - Jun 05 2023

web view solution manual for financial accounting 9th edition harrison horngren thomas from ece 644 at new jersey institute of technology full file at

financial accounting 9th edition solutions and answers quizlet - Sep 08 2023

web economics finance financial accounting 9th edition isbn 9780133071276 alternate isbn's charles t horngren walter t harrison walter t harrison jr textbook solutions verified chapter 1 the financial statements page 32 assess your progress page 50 decision case page 52 focus on financials page 52 ethical issue page 53 focus on

solution manual for financial accounting 9th edition by harrison - Oct 09 2023

web solution manual for financial accounting 9th edition by harrison pdf retained earnings balance sheet selected solution manual for financial accounting 9th edition by harrison free download as word doc doc pdf file pdf text file txt or read online for free

financial accounting 9th edition textbook solutions chegg com - Aug 07 2023

web unlike static pdf financial accounting 9th edition solution manuals or printed answer keys our experts show you how to solve each problem step by step no need to wait for office hours or assignments to be graded to find out where you took a wrong turn

solutions manual for financial accounting 11th edition by harrison - Jun 24 2022

web jul 3 2018 answer to facilitate preparation of financial statements although they will be more accurate after adjusting entries are added in the next chapter search for missing amounts if the

financial accounting 9th edition harrison answer key - Aug 27 2022

web this financial accounting 9th edition harrison answer key as one of the most energetic sellers here will definitely be in the course of the best options to review financial accounting with annual report jerry j weygandt 2005

financial accounting harrison 9th edition answer key dna viz tpq - May 24 2022

web oct 29 2023 financial accounting harrison 9th edition answer key 1 omb no 8573067324085 financial accounting harrison 9th edition answer key financial accounting 9th edition amazon com harrison financial accounting ge p9 9th edition pearson financial accounting mcgraw hill education financial

accounting 9th edition solutions and answers quizlet - Jul 06 2023

web now with expert verified solutions from accounting 9th edition you ll learn how to solve your toughest homework problems our resource for accounting includes answers to chapter exercises as well as detailed information to

financial accounting 9th edition harrison answer key copy - Mar 22 2022

web financial accounting 9th edition harrison answer key 1 financial accounting 9th edition harrison answer key sport funding and finance financial accounting global edition 2 financial accounting 9th edition harrison answer key 2023 01 25 section on accreditation of hospitals and other patient care facilities and of health

financial accounting 9th edition harrison answer key full pdf - May 04 2023

web financial accounting 9th edition harrison answer key 1 financial accounting 9th edition harrison answer key financial accounting 9th edition mypearsonstore financial accounting by walter t harrison jr amazon com financial accounting 9th edition harrison harrison horngren thomas tietz financial accounting

financial accounting 9th edition harrison answer key 2022 - Dec 31 2022

web financial accounting 9th edition harrison answer key 1 financial accounting 9th edition harrison answer key getting the books financial accounting 9th edition harrison answer key now is not type of inspiring means you could not without help going bearing in mind book collection or library or borrowing from your contacts to entrance them

financial accounting 9th edition harrison test bank issuu - Mar 02 2023

web may 19 2018 make data driven decisions to drive reader engagement subscriptions and campaigns

financial accounting harrison 9th edition solutions book - Oct 29 2022

web accounting to package myaccountinglab with accounting order isbn 0132785862 key topics accounting and the business environment recording business transactions the adjusting process completing the accounting cycle merchandising operations merchandise inventory internal control and

financial accounting 9th edition harrison answer key copy - Feb 18 2022

web financial accounting 9th edition harrison harrison horngren thomas financial accounting pearson accounting the financial chapters 9th edition amazon com

financial accounting harrison 9th edition answers pdf - Jul 26 2022

web we provide financial accounting harrison 9th edition answers and numerous ebook collections from fictions to scientific research in any way among them is this financial accounting harrison 9th edition answers that can be your partner unofficial answers to the uniform certified public accountants examination american institute of

dans l enfer des foyers moi lyes enfant de personne - Oct 30 2021

dans l enfer des foyers télécharger pdf epub audio - Apr 04 2022

web les exemples vous aident à traduire le mot ou l expression recherchés dans des contextes variés ils ne sont ni sélectionnés ni validés par nous et peuvent contenir des mots ou

dans l enfer des foyers google sites - Jan 01 2022

dans ton foyer traduction en turc reverso context - Nov 30 2021

dans l enfer des foyers moi lyes enfant de personne fnac - Mar 15 2023

web apr 9 2014 placé à sa naissance et ballotté pendant dix huit ans de foyers en familles d accueil lyes a traversé l enfer des enfants livrés aux mains maladroites de l État

l enfant de personne film 2020 allociné - May 05 2022

web un pédophile déjà condamné engagé comme veilleur de nuit dans un foyer qui héberge des enfants avec 1 58 g d alcool dans le sang un homme perd le contrôle de sa ferrari

dans l enfer des foyers lyès louffok payot - Jun 06 2022

web oct 16 2022 article mis à jour le 16 10 22 19 45 partager sur durant son enfance lyes louffok a subi la maltraitance le rejet et les violences cet ancien enfant placé raconte

dans l enfer des foyers moi lyes enfant de personne - Jun 18 2023

web placé à sa naissance et ballotté pendant dix huit ans de foyers en familles d accueil lyes a traversé l enfer des enfants livrés aux mains maladroites de l État aujourd'hui

dans l enfer des foyers lyes louffok babelio - Jul 19 2023

web nous sommes des enfants de l aide sociale à l enfance des parents nous n en avons plus ou des cassés qui ne peuvent pas faire le boulot c est donc dans le giron de

dans l enfer des foyers de lyes louffok editions j ai lu - Feb 14 2023

web apr 9 2014 placé à sa naissance et ballotté pendant dix huit ans de foyers en familles d accueil lyes a traversé l enfer des enfants livrés aux mains maladroites de l etat

critiques de dans l enfer des foyers lyes louffok 16 babelio - Sep 28 2021

dans l enfer des foyers atd quart monde - Aug 08 2022

web apr 9 2014 résumé du livre dans l enfer des foyers on ne sait pas quoi faire de nous alors on nous déplace sans cesse nous sommes des enfants de l aide sociale à

dans l enfer des foyers by l lyes goodreads - Dec 12 2022

web nov 21 2021 si oui vous connaissez désormais l histoire de lyes louffok un jeune garçon devenu éducateur spécialisé probablement par la force de son passé dans

dans l enfer des foyers louffok lyes amazon fr livres - May 17 2023

web apr 9 2014 résumé voir tout on ne sait pas quoi faire de nous alors on nous déplace sans cesse nous sommes des enfants de l aide sociale à l enfance des parents nous

dans l enfer des foyers lyes l google books - Apr 16 2023

web dans l enfer des foyers moi lyes enfant de personne par lyes louffok aux éditions j ai lu nous sommes des enfants de l aide sociale à l enfance des parents nous n en

dans l enfer des foyers de lyes louffok grand format - Nov 11 2022

web dans ce livre de révolte et de dénonciation écrit à la première personne lyes relate sa vie d enfant placé dès la naissance ballotté de familles d accueil en foyers il dénonce la

un rescapé de l enfer des foyers témoigne la violence des - Feb 02 2022

web aug 14 2014 05 mars 2020 si seulement un livre pareil pouvait susciter autant de révolte et d indignation qu'un César qui couronne un violeur blanc et puissant si seulement on

dans l enfer des foyers moi lyes enfant de personne cultura - Jan 13 2023

web lisez dans l enfer des foyers de lyes l disponible chez rakuten kobo on ne sait pas quoi faire de nous alors on nous déplace sans cesse nous sommes des enfants de

[dans l enfer des foyers lyès louffok livres furet du nord](#) - Jul 07 2022

web bigre les foyers de la protection de l enfance ne seraient ils donc que des lieux maudits où l on souffre éternellement c est en tout cas ce que laisse entendre le témoignage

dans l 39 enfer des foyers ebook by lyes l rakuten kobo - Oct 10 2022

web feb 10 2016 séquestration sévices rejet lyes louffok a tout connu de l enfer que traversent ceux qui sont confiés à l ase il se bat pour que les droits des enfants soient

[dans l enfer des foyers editions flammarion](#) - Aug 20 2023

web apr 9 2014 3 74 5 99 notes résumé nous sommes des enfants de l aide sociale à l enfance des parents nous n en avons pas ou cassés hors service parental

[dans l enfer des foyers lien social](#) - Mar 03 2022

web noté 5 retrouvez dans l enfer des foyers moi lyes enfant de personne et des millions de livres en stock sur amazon fr achetez neuf ou d occasion

lyes louffok dans l enfer des foyers un livre choc qui dénonce - Sep 09 2022

web résumé l auteur séquestration sévices rejet lyes louffok a tout connu de l enfer que traversent ceux qui sont confiés à l ase il se bat pour que les droits des enfants soient

pdf lady or the tiger sequence map - May 12 2023

web lady or the tiger sequence map wild cats of the world dec 31 2019 did you know that european royalty once used cheetahs to hunt deer or that caracals can capture birds by leaping six and a half feet straight up into the air from a standing start

[lady or the tiger sequence map pdf uniport edu](#) - Jul 02 2022

web mar 23 2023 lady or the tiger sequence map 1 9 downloaded from uniport edu ng on march 23 2023 by guest lady or the tiger sequence map this is likewise one of the factors by obtaining the soft documents of this lady or the tiger sequence map by online you might not require more times to spend to go to the books launch as well as search

lady or the tiger sequence map download only - Feb 26 2022

web the typists and the tiger the thinker s toolkit delphi complete works of frank r stockton illustrated when the tiger came down the mountain tiger woman king arthur in search of his dog and other curious puzzles the suspense thriller lady s realm bedrock lady or the tiger sequence map downloaded from sam arabtravelers com

[the lady or the tiger summary analysis litcharts](#) - Jan 08 2023

web need help with the lady or the tiger in frank stockton s the lady or the tiger check out our revolutionary side by side summary and analysis

lady or the tiger sequence map pdf 2023 id startup network - Jan 28 2022

web lady or the tiger sequence map pdf 5 10 downloaded from id startup network on january 16 2023 by guest lady or the tiger sequence map congtythamdinhgia com lady or the tiger sequence map lady or the tiger sequence map so the lady or the tiger 28 stories that make the film ppt the lady or the tiger powerpoint presentation id

the lady or the tiger logic puzzle amazeing art maze puzzles - Aug 03 2022

web the lady or the tiger a young prince and princess had fallen in love but the girl s father a bitter old king opposed the marriage so the king contrived to lure the prince into a trap in front of his entire court nobles clergy jesters and even scullery maids he challenged the prince to prove his love in a highly unusual and

lady or the tiger sequence map download only wrbb neu - Dec 07 2022

web you could buy guide lady or the tiger sequence map or get it as soon as feasible you could speedily download this lady or the tiger sequence map after getting deal

lady or the tiger sequence map help environment harvard edu - Aug 15 2023

web guides you could enjoy now is lady or the tiger sequence map below tiger girl pascale petit 2020 06 25 pascale petit apos s tiger girl marks a shift from the amazonian rainforests of her previous work to explore her grandmother apos s indian heritage and the fauna and flora of subcontinental jungles tiger girl is the grandmother with her

lady or the tiger sequence map download only wp publish - Sep 04 2022

web lady or the tiger sequence map embracing the melody of appearance an psychological symphony within lady or the tiger sequence map in a global consumed by monitors and the ceaseless chatter of instantaneous connection the melodic elegance and mental symphony developed by the prepared word usually diminish into the backdrop

ladyorthetigersequencemap academy robotistan - Jun 01 2022

web lady or the tiger sequence map 178 128 16 139 lady or the tiger sequence map lady or the tiger plot mybooklibrary com the lady or the tiger sequence project la by ivan the lady or the tiger summary enotes com short stories the lady or the tiger by frank stockton the lady or the tiger chapter 3 decision the tiger a the lady or the tiger nanopore

the lady the tiger 1 1 minecraft maps - Dec 27 2021

web jan 10 2017 welcome to the lady and the tiger this map challenges your skill to reason logically through 12 unique puzzles separated into 4 groups in each puzzle you are given a choice between 2 or more doors each door has a sign above it with a statement gilbert your friendly helper will tell you how to interpret the signs

ladyorthetigersequencemap 2022 jira eng sangoma - Feb 09 2023

web ladyorthetigersequencemap 1 ladyorthetigersequencemap ladyorthetigersequencemap downloaded from jira eng sangoma com by guest dickerson stephens

lady or the tiger plot diagram storyboard by rebeccaray - Jun 13 2023

web the lady or the tiger by frank stockton is a unique story to read with students with an ambiguous ending students get a chance to use their detective skills to decide the man s fate see how creative your students can be through storyboards with our premade activities and lesson plans

lady or the tiger sequence map help environment harvard edu - Mar 10 2023

web enjoy now is lady or the tiger sequence map below the athenaeum 1886 the neurofeedback solution stephen larsen 2012 03 26 a guide to neurofeedback for better physical and mental health as well as greater emotional balance cognitive agility and creativity provides easy to understand explanations of different neurofeedback methods

lady or the tiger sequence map copy - Jul 14 2023

web lady or the tiger sequence map when people should go to the book stores search introduction by shop shelf by shelf it is truly problematic this is why we give the book compilations in this website it will unquestionably ease you to look guide lady or the tiger sequence map as you such as

[the lady or the tiger summary analysis study com](#) - Nov 06 2022

web dec 21 2021 the lady or the tiger is a story by frank r stockton that has been republished many times since its original 1882 publication explore a summary and analysis of this well loved short story

the lady or the tiger enotes com - Apr 11 2023

web the story the lady or the tiger is set in an unidentified kingdom ruled by a semi barbaric king in the very olden time although the latin neighbors referred to suggests that the actual

lady or the tiger sequence map jetpack theaoi - Oct 05 2022

web the the lady or the tiger lady the sequence of events or actions in a story the lady or the tiger lit device wksht answers the lady or the tiger for each cell have

lady or the tiger sequence map linda skeers copy - Mar 30 2022

web the declaration as competently as perspicacity of this lady or the tiger sequence map can be taken as skillfully as picked to act collection of pamphlets on child study 1892 the neurofeedback solution stephen larsen 2012 03 26 a guide to neurofeedback for better physical and mental health as well as greater emotional

[lady or the tiger sequence map pdf old talentsprint](#) - Apr 30 2022

web lady or the tiger sequence map 1 lady or the tiger sequence map my business order log easy to use order book small business order tracking book tears of a tiger when the tiger came down the mountain lady chatterley s lover king arthur in

search of his dog and other curious puzzles university of michigan official publication