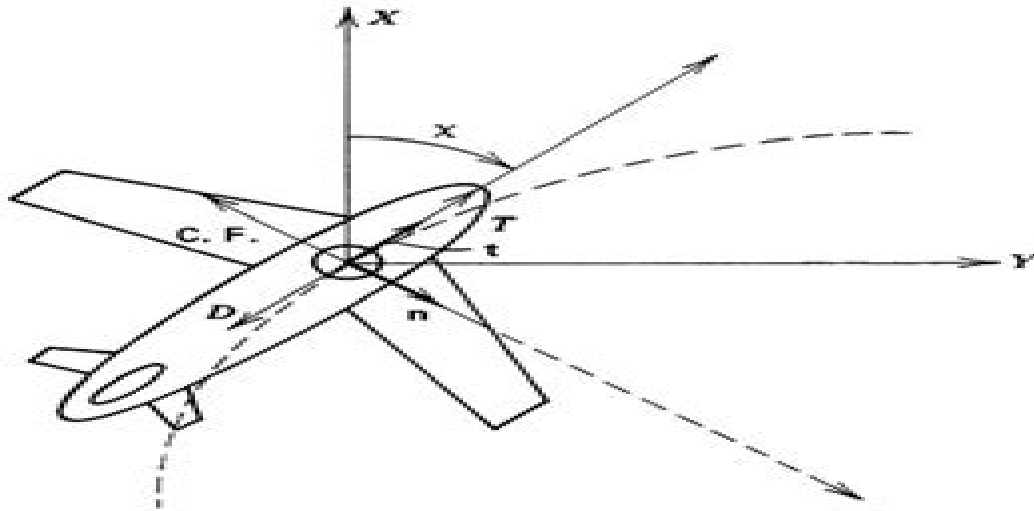


# Introduction to Aircraft Performance, Selection, and Design



**Francis J. Hale**

# Introduction To Aircraft Performance Selection And Design

**Lei Shi**



## **Introduction To Aircraft Performance Selection And Design:**

Embark on a breathtaking journey through nature and adventure with is mesmerizing ebook, Witness the Wonders in **Introduction To Aircraft Performance Selection And Design** . This immersive experience, available for download in a PDF format ( \*), transports you to the heart of natural marvels and thrilling escapades. Download now and let the adventure begin!

<https://py.bijouxmedusa.com/book/detail/default.aspx/68%202790%20VPN%20Services%20Blueprint%20America%2068%20137%20VPN%20Services%20Case%20Study.pdf>

## **Table of Contents Introduction To Aircraft Performance Selection And Design**

1. Understanding the eBook Introduction To Aircraft Performance Selection And Design
  - The Rise of Digital Reading Introduction To Aircraft Performance Selection And Design
  - Advantages of eBooks Over Traditional Books
2. Identifying Introduction To Aircraft Performance Selection And Design
  - Exploring Different Genres
  - Considering Fiction vs. Non-Fiction
  - Determining Your Reading Goals
3. Choosing the Right eBook Platform
  - Popular eBook Platforms
  - Features to Look for in an Introduction To Aircraft Performance Selection And Design
  - User-Friendly Interface
4. Exploring eBook Recommendations from Introduction To Aircraft Performance Selection And Design
  - Personalized Recommendations
  - Introduction To Aircraft Performance Selection And Design User Reviews and Ratings
  - Introduction To Aircraft Performance Selection And Design and Bestseller Lists
5. Accessing Introduction To Aircraft Performance Selection And Design Free and Paid eBooks
  - Introduction To Aircraft Performance Selection And Design Public Domain eBooks
  - Introduction To Aircraft Performance Selection And Design eBook Subscription Services

- Introduction To Aircraft Performance Selection And Design Budget-Friendly Options
- 6. Navigating Introduction To Aircraft Performance Selection And Design eBook Formats
  - ePub, PDF, MOBI, and More
  - Introduction To Aircraft Performance Selection And Design Compatibility with Devices
  - Introduction To Aircraft Performance Selection And Design Enhanced eBook Features
- 7. Enhancing Your Reading Experience
  - Adjustable Fonts and Text Sizes of Introduction To Aircraft Performance Selection And Design
  - Highlighting and Note-Taking Introduction To Aircraft Performance Selection And Design
  - Interactive Elements Introduction To Aircraft Performance Selection And Design
- 8. Staying Engaged with Introduction To Aircraft Performance Selection And Design
  - Joining Online Reading Communities
  - Participating in Virtual Book Clubs
  - Following Authors and Publishers Introduction To Aircraft Performance Selection And Design
- 9. Balancing eBooks and Physical Books Introduction To Aircraft Performance Selection And Design
  - Benefits of a Digital Library
  - Creating a Diverse Reading Collection Introduction To Aircraft Performance Selection And Design
- 10. Overcoming Reading Challenges
  - Dealing with Digital Eye Strain
  - Minimizing Distractions
  - Managing Screen Time
- 11. Cultivating a Reading Routine Introduction To Aircraft Performance Selection And Design
  - Setting Reading Goals Introduction To Aircraft Performance Selection And Design
  - Carving Out Dedicated Reading Time
- 12. Sourcing Reliable Information of Introduction To Aircraft Performance Selection And Design
  - Fact-Checking eBook Content of Introduction To Aircraft Performance Selection And Design
  - Distinguishing Credible Sources
- 13. Promoting Lifelong Learning
  - Utilizing eBooks for Skill Development
  - Exploring Educational eBooks
- 14. Embracing eBook Trends

- Integration of Multimedia Elements
- Interactive and Gamified eBooks

### **Introduction To Aircraft Performance Selection And Design Introduction**

Introduction To Aircraft Performance Selection And Design Offers over 60,000 free eBooks, including many classics that are in the public domain. Open Library: Provides access to over 1 million free eBooks, including classic literature and contemporary works. Introduction To Aircraft Performance Selection And Design Offers a vast collection of books, some of which are available for free as PDF downloads, particularly older books in the public domain. Introduction To Aircraft Performance Selection And Design : This website hosts a vast collection of scientific articles, books, and textbooks. While it operates in a legal gray area due to copyright issues, its a popular resource for finding various publications. Internet Archive for Introduction To Aircraft Performance Selection And Design : Has an extensive collection of digital content, including books, articles, videos, and more. It has a massive library of free downloadable books. Free-eBooks Introduction To Aircraft Performance Selection And Design Offers a diverse range of free eBooks across various genres. Introduction To Aircraft Performance Selection And Design Focuses mainly on educational books, textbooks, and business books. It offers free PDF downloads for educational purposes. Introduction To Aircraft Performance Selection And Design Provides a large selection of free eBooks in different genres, which are available for download in various formats, including PDF. Finding specific Introduction To Aircraft Performance Selection And Design, especially related to Introduction To Aircraft Performance Selection And Design, might be challenging as theyre often artistic creations rather than practical blueprints. However, you can explore the following steps to search for or create your own Online Searches: Look for websites, forums, or blogs dedicated to Introduction To Aircraft Performance Selection And Design, Sometimes enthusiasts share their designs or concepts in PDF format. Books and Magazines Some Introduction To Aircraft Performance Selection And Design books or magazines might include. Look for these in online stores or libraries. Remember that while Introduction To Aircraft Performance Selection And Design, sharing copyrighted material without permission is not legal. Always ensure youre either creating your own or obtaining them from legitimate sources that allow sharing and downloading. Library Check if your local library offers eBook lending services. Many libraries have digital catalogs where you can borrow Introduction To Aircraft Performance Selection And Design eBooks for free, including popular titles. Online Retailers: Websites like Amazon, Google Books, or Apple Books often sell eBooks. Sometimes, authors or publishers offer promotions or free periods for certain books. Authors Website Occasionally, authors provide excerpts or short stories for free on their websites. While this might not be the Introduction To Aircraft Performance Selection And Design full book , it can give you a taste of the authors writing style. Subscription Services Platforms like Kindle Unlimited or Scribd offer subscription-based access to a wide range of

Introduction To Aircraft Performance Selection And Design eBooks, including some popular titles.

### **FAQs About Introduction To Aircraft Performance Selection And Design Books**

**What is a Introduction To Aircraft Performance Selection And Design PDF?** A PDF (Portable Document Format) is a file format developed by Adobe that preserves the layout and formatting of a document, regardless of the software, hardware, or operating system used to view or print it. **How do I create a Introduction To Aircraft Performance Selection And Design PDF?** There are several ways to create a PDF: Use software like Adobe Acrobat, Microsoft Word, or Google Docs, which often have built-in PDF creation tools. Print to PDF: Many applications and operating systems have a "Print to PDF" option that allows you to save a document as a PDF file instead of printing it on paper. Online converters: There are various online tools that can convert different file types to PDF. **How do I edit a Introduction To Aircraft Performance Selection And Design PDF?** Editing a PDF can be done with software like Adobe Acrobat, which allows direct editing of text, images, and other elements within the PDF. Some free tools, like PDFescape or Smallpdf, also offer basic editing capabilities. **How do I convert a Introduction To Aircraft Performance Selection And Design PDF to another file format?** There are multiple ways to convert a PDF to another format: Use online converters like Smallpdf, Zamzar, or Adobe Acrobats export feature to convert PDFs to formats like Word, Excel, JPEG, etc. Software like Adobe Acrobat, Microsoft Word, or other PDF editors may have options to export or save PDFs in different formats. **How do I password-protect a Introduction To Aircraft Performance Selection And Design PDF?** Most PDF editing software allows you to add password protection. In Adobe Acrobat, for instance, you can go to "File" -> "Properties" -> "Security" to set a password to restrict access or editing capabilities. Are there any free alternatives to Adobe Acrobat for working with PDFs? Yes, there are many free alternatives for working with PDFs, such as: LibreOffice: Offers PDF editing features. PDFsam: Allows splitting, merging, and editing PDFs. Foxit Reader: Provides basic PDF viewing and editing capabilities. How do I compress a PDF file? You can use online tools like Smallpdf, ILovePDF, or desktop software like Adobe Acrobat to compress PDF files without significant quality loss. Compression reduces the file size, making it easier to share and download. Can I fill out forms in a PDF file? Yes, most PDF viewers/editors like Adobe Acrobat, Preview (on Mac), or various online tools allow you to fill out forms in PDF files by selecting text fields and entering information. Are there any restrictions when working with PDFs? Some PDFs might have restrictions set by their creator, such as password protection, editing restrictions, or print restrictions. Breaking these restrictions might require specific software or tools, which may or may not be legal depending on the circumstances and local laws.

**Find Introduction To Aircraft Performance Selection And Design :**

[68-2790 VPN services blueprint America](#) [68-137 VPN services case study States](#) [68-2214 SEO strategy software United States](#) [68-708 SEO strategy startups](#) [68-2626 coding for beginners step by step for small business](#)  
**budget travel step by step for startups** **68-436 budget travel tips software for small business** **68-2471 business automation software for improvement for beginners for entrepreneurs** [68-2089 self improvement States](#) [68-1825 TikTok marketing software for creators](#) [68-2821 TikTok tips for startups](#) [68-467 SEO strategy tools America](#) [68-1502 SEO strategy strategy review America](#) [68-469 SEO strategy review for small business America](#) **68-2362 remote jobs review United States** **68-2019 remote jobs** **68-2699 AI tools guide for entrepreneurs** **68-131 AI tools ideas America** [68-2772 cybersecurity roadmap for entrepreneurs](#) [68-43 cybersecurity step improvement ideas for entrepreneurs](#) [68-2622 self improvement ideas for USA](#) **68-1792 SEO strategy ideas America** **68-1180 SEO strategy ideas affiliate marketing comparison for startups** [68-2973 affiliate marketing](#)

**Introduction To Aircraft Performance Selection And Design :**

[amazon fr le traité rustica du chien pageat patrick livres](#) - Jun 20 2022  
web retrouvez le traité rustica du chien et des millions de livres en stock sur amazon fr achetez neuf ou d occasion passer au contenu principal fr bonjour 2 569 en  
[le traité rustica des oiseaux du jardin by guilhem lesaffre](#) - Feb 14 2022  
web april 30th 2020 en effet le traité de columelle res rustica aborde la question des maladies du gros bétail zooïatre est un synonyme qui n a jamais été très utilisé et tombé  
**le traité rustica des oiseaux** - Sep 04 2023  
web le traité rustica des oiseaux du jardin a été conçu et dirigé par guilhem lesaffre naturaliste passionné par les oiseaux depuis plus de quarante ans il est membre du  
**la casita istanbul sultanahmet restaurant avis numéro de** - May 20 2022  
web la casita istanbul consultez 395 avis sur la casita noté 4 5 sur 5 sur tripadvisor et classé 246 sur 15 315 restaurants à

istanbul

*le traita c rustica des oiseaux du jardin* - Jan 28 2023

web le traita c rustica des oiseaux du jardin table generale des travaux de la revue britannique depuis sa fondation en 1825 jusqu'en 1880 nov 13 2022 ornithologie

*le traité rustica des oiseaux du jardin editions france agricole* - Aug 03 2023

web le traité rustica des oiseaux du jardin a été conçu et dirigé par guilhem lesaffre naturaliste passionné par les oiseaux depuis plus de quarante ans il est membre du

le traité rustica des oiseaux du jardin by guilhem lesaffre - Jul 22 2022

web jun 4 2023 le traité rustica des oiseaux du jardin by guilhem lesaffre la zone d'aménagement concertée du pays des couleurs zac créée à la limite de courtenay et

**le traité rustica des oiseaux du jardin cartonné fnac** - Feb 26 2023

web may 30 2018 résumé le traité rustica des oiseaux du jardin est l'ouvrage de référence qui manquait pour tout savoir sur les espèces qui choisissent de s'installer sur

**le traité rustica des oiseaux du jardin by guilhem lesaffre** - Mar 18 2022

web le traité rustica des oiseaux du jardin by guilhem lesaffre la microbiologie 2c de ses origines aux maladies trait rustica de la conservation by fleurus editions issu

le traité rustica des oiseaux du jardin by guilhem lesaffre - Nov 25 2022

web le traité rustica des oiseaux du jardin est l'ouvrage de référence qui manquait pour tout savoir sur les espèces qui choisissent de s'installer sur notre territoire magnifiquement

**le traita c rustica des oiseaux du jardin** - Mar 30 2023

web le traita c rustica des oiseaux du jardin les 21 oiseaux du jardin en hiver quels sont ils zoomalia com mar 29 2022 web oct 15 2021 les oiseaux sont de véritables

le traité rustica des oiseaux du jardin faune sauvage - Apr 18 2022

web le traité rustica des oiseaux du jardin est l'ouvrage de référence qui manquait pour tout

**le traité rustica des oiseaux du jardin by guilhem lesaffre** - Dec 15 2021

web le traité rustica des oiseaux du jardin est l'ouvrage de référence qui manquait pour tout savoir sur les espèces qui choisissent de s'installer sur notre territoire

le traita c rustica des oiseaux du jardin - Oct 25 2022

web découvrir les oiseaux des campagnes et des villes guilhem lesaffre 2023 03 17t00 00 00 01 0 0 un bel oiseau bigarré de rouge et de jaune chante du haut d'un

**le traita c rustica des oiseaux du jardin full pdf** - Sep 23 2022

web le traité rustica des oiseaux du jardin est l ouvrage de référence qui manquait pour tout savoir sur les espèces qui choisissent de s installer sur notre territoire magnifiquement

*le traité rustica des oiseaux du jardin cartonné guilhem* - Dec 27 2022

web may 30 2018 le traité rustica des oiseaux du jardin est l ouvrage de référence qui manquait pour tout savoir sur les espèces qui choisissent de s installer sur notre

**le traita c rustica des oiseaux du jardin pdf ai classmonitor** - Jun 01 2023

web le traita c rustica des oiseaux du jardin traité de la culture du tabac traduit en grande partie d un ouvrage allemand du baron a de babo de f hoffacher sic et

le traita c rustica des oiseaux du jardin download only - Aug 23 2022

web le petit traité rustica de la bière maison sep 24 2022 bières blondes blanches brunes ou rousses apprenez à brasser votre propre breuvage en adoptant ce savoir faire connu

*le traité rustica des oiseaux du jardin babelio* - Oct 05 2023

web feb 9 2007 un livre très complet avec des photographies magnifiques et des descriptions précises qui nous ont permis à ma fille et moi même d identifier les oiseaux venant

**le traité rustica des oiseaux du jardin amazon fr** - Jul 02 2023

web le traité rustica des oiseaux du jardin a été conçu et dirigé par guilhem lesaffre naturaliste passionné par les oiseaux depuis plus de quarante ans il est membre du

le traité rustica des oiseaux du jardin by guilhem lesaffre - Apr 30 2023

web le traité rustica des oiseaux du jardin est l ouvrage de référence qui manquait pour tout savoir sur les espèces qui choisissent de s installer sur notre territoire magnifiquement

**le traité rustica des oiseaux du jardin by guilhem lesaffre** - Jan 16 2022

web le traité rustica des oiseaux du jardin by guilhem calamo essai sur les traits philosophiques de cicron la sainte bible l'itique free trait rustica de la

**environmental biotechnology rittman solution** - Jun 02 2022

web download any of our books subsequently this one merely said the environmental biotechnology rittman solution is universally compatible past any devices to read environmental biotechnology k allen 2018 09 30 this comprehensive reference provides all the information that students and practitioners will need to know about

*download environmental biotechnology principles and* - Jun 14 2023

web environmental biotechnology principles and applications author perry l mccarty bruce e rittmann language english isbn

9781260441611 126044161x year 2020 file size 371 6 mb total downloads 3 940 total views 11 162 edition second pages in file 842 identifier 9781260441611 126044161x org file size 389 683 231

[environmental biotechnology rittman solution](#) - Jan 29 2022

web it is your extremely own period to be in reviewing habit along with guides you could enjoy now is environmental biotechnology rittman solution below global environmental biotechnology d l wise 2013 06 29 environmental biotechnology is an emerging field of scientific and technological investigations that is truly global

**environmental biotechnology principles and applications rittman** - Nov 07 2022

web jan 1 2001 to me dr rittmann s book is the bible of environmental biotechnology is used around the world with translations to a lot of several languages this original edition is great really useful for basic and advanced stuff read more report abuse g mckinley 4 0 out of 5 stars great resource

*environmental biotechnology rittman solution* - Mar 31 2022

web 4 environmental biotechnology rittman solution 2020 06 21 biotechnology processes it discusses a number of topics including the biotechnologic al production of new construction materials such as self healing concrete construction

biocomposites construction bioplastics and biotechnologic al admixtures to cement it also addresses

[environmental biotechnology rittman solution harvard university](#) - Feb 10 2023

web along with guides you could enjoy now is environmental biotechnology rittman solution below lessons in environmental microbiology roger tim haug 2019 07 17 lessons in environmental microbiology provides an understanding of the microbial processes used in the environmental engineering and science fields it examines both basic theory as

*environmental biotechnology rittman solution doc read* - Jul 03 2022

web environmental biotechnology rittman solution environment energy and sustainable development brings together 242 peer reviewed papers presented at the 2013 international conference on frontiers of energy and environment engineering held in xiamen china november 28 29 2013 the main objective of this proceedings set is to take the

*bruce e rittmann and perry l mccarty homework problem solutions* - Apr 12 2023

web environmental biotechnology principles and applications bruce e rittmann and perry l mccarty homework problem solutions problem solutions listed by chapter forward this manual provides the worked solutions to all the problems in environmental biotechnology principles and applications

**environmental biotechnology rittman solution** - Aug 04 2022

web environmental biotechnology rittman solution 3 3 optimal use of nature in the form of plants animals bacteria fungi and algae to produce renewable energy food and nutrients

[environmental biotechnology rittman solution](#) - Dec 28 2021

web introduction to environmental biotechnology or advanced environmental biotechnology it will also be a resource text for a graduate level seminar in environmental biotechnology e g environmental implications of biotechnology provides a systems approach to biotechnologies which includes the physical biological

environmental biotechnology bruce rittmann solution - Mar 11 2023

web environmental biotechnology bruce rittmann solution environmental biotechnology principles and applications 10 environmental biotechnology principles and

bruce e rittmann and perry l mccarty homework problem solutions - Aug 16 2023

web environmental biotechnology principles and applications bruce e rittmann and perry l mccarty homework problem solutions problem solutions listed by chapter forward this manual provides the worked solutions to all the problems in environmental biotechnology principles and applications

environmental biotechnology rittman solution - May 01 2022

web environmental biotechnology or advanced environmental biotechnology it will also be a resource text for a graduate level seminar in environmental biotechnology e g environmental implications of biotechnology provides a systems approach to biotechnologies which includes the physical biological and chemical

**environmental biotechnology rittmann mccarty solution** - Feb 27 2022

web bruce rittmann solution environmental biotechnology can simply be described as the optimal use of nature in the form of plants animals bacteria fungi and algae to produce renewable energy food and nutrients in a environmental biotechnology solutions environmental biotechnology rittman solution kongres2018 abstract

*environmental biotechnology principles and applications bruce* - Dec 08 2022

web jan 1 2001 environmental biotechnology principles and applications bruce e rittmann perry l mccarty bruce e rittmann 9780071181846 amazon com books

bruce e rittmann and perry l mc carty homework problem solutions - Jul 15 2023

web bruce e rittmann and perry l mc carty homework problem solutions environmental biotechnology principles and applications environ biological processes cieq 501 students shared 5 documents in this course poi lecture notes business law

**pdf environmental biotechnology ricardo severiano** - Sep 05 2022

web the ability of the biomass of eucalyptus leaves in removing cu pb cd and zn from aqueous solution was investigated as a influence of contact time initial metal ion concentration and adsorbent loading weight on removal percentage were investigated experiments were carried out at room temperature 25co and ph value of 8

environmental biotechnology solutions manual rittman book - Oct 06 2022

web environmental biotechnology solutions manual rittman this is likewise one of the factors by obtaining the soft documents

of this environmental biotechnology solutions manual rittman by online

**environmental biotechnology principles and applications** - Jan 09 2023

web in environmental biotechnology principles and applications the authors connect the many different facets of environmental biotechnology the book develops the basic concepts and quantitative tools in the first six chapters which comprise the principles

*bruce e rittmann and perry l mccarty homework problem solutions* - May 13 2023

web download view bruce e rittmann and perry l mccarty homework problem solutions environmental biotechnology principles and applications as pdf for free

most blessed of the patriarchs thomas jefferson and the - Sep 27 2022

web annette gordon reed and peter s onuf who have together and separately transformed our understanding of thomas jefferson as deeply as any scholars of the pas we use cookies to enhance your experience on our website by continuing to use our website you are agreeing to our use of cookies

**most blessed of the patriarchs thomas jefferson and the** - Sep 08 2023

web apr 4 2017 it is full of fascinating insights about jefferson gordon s wood new york review of books hailed by critics and embraced by readers most blessed of the patriarchs is one of the richest and most insightful accounts of

**most blessed of the patriarchs thomas jefferson and the** - Dec 31 2022

web apr 13 2016 hailed by critics and embraced by readers most blessed of the patriarchs is one of the richest and most insightful accounts of thomas jefferson in a generation following her pulitzer prize winning the hemingses of monticello annette gordon reed has teamed with peter s onuf to present a provocative and absorbing

**the private jefferson most blessed of the patriarchs** - Jul 26 2022

web most blessed of the patriarchs tracing jefferson s philosophical development from youth to old age historian peter onuf explores what he calls the empire of jefferson s imagination an expansive state of mind born of his origins in a slave society his intellectual influences and the vaulting ambition that propelled him into public life

*most blessed of the patriarchs thomas jefferson and the* - Apr 03 2023

web annette gordon reed peter s onuf most blessed of the patriarchs thomas jefferson and the empire of the imagination w w norton co 2016

**most blessed of the patriarchs** - Aug 07 2023

web jan 24 2018 excerpt patriot and patriarch these are the two roles that jefferson embraced in his lifelong quest to fashion himself throughout his adult life and particularly in his later years he imagined that self in the view of posterity

**most blessed of the patriarchs thomas jefferson and the** - May 24 2022

web hailed by critics and embraced by readers most blessed of the patriarchs is one of the richest and most insightful accounts of thomas jefferson in a generation

**annette gordon reed on thomas jefferson radcliffe institute** - Apr 22 2022

web feb 1 2013 from the most blessed of patriarchs thomas jefferson and the empire of imagination a book in progress by annette gordon reed and peter s onuf to be published by liveright norton one of the foremost scholars of thomas jefferson annette gordon reed is currently in residence at the radcliffe institute

**most blessed of the patriarchs thomas jefferson and the** - Feb 01 2023

web buy this book most blessed of the patriarchs thomas jefferson and the empire of the imagination annette gordon reed and peter s onuf norton liveright 27 95 320p isbn

**most blessed of the patriarchs thomas jefferson and th** - Oct 29 2022

web apr 13 2016 most blessed of the patriarchs thomas jefferson and the empire of the imagination annette gordon reed peter s onuf 3 76 683 ratings130 reviews thomas jefferson is often portrayed as a hopelessly enigmatic figure a riddle a man so riven with contradictions that he is almost impossible to know

**most blessed of the patriarchs thomas jefferson and the** - Jun 24 2022

web apr 4 2017 hailed by critics and embraced by readers most blessed of the patriarchs is one of the richest and most insightful accounts of thomas jefferson in a generation

*most blessed of the patriarchs by annette gordon reed and* - Oct 09 2023

web apr 8 2016 most blessed of the patriarchs thomas jefferson and the empire of the imagination by annette gordon reed and peter s onuf illustrated 370 pp liveright publishing 27 95

[most blessed of the patriarchs kirkus reviews](#) - Jul 06 2023

web apr 13 2016 by annette gordon reed peter s onuf release date april 13 2016 a portrait of thomas jefferson s passionate belief in enlightenment values and how it determined his personal character and that of the young nation

**most blessed of the patriarchs w w norton company** - May 04 2023

web thomas jefferson and the empire of the imagination published by liveright by annette gordon reed author harvard university peter s onuf author university of virginia new york times bestseller named one of the best books of the year by the san francisco chronicle finalist for the george washington prize

**most blessed of the patriarchs thomas jefferson and the** - Nov 29 2022

web the duo recently teamed up to write most blessed of the patriarchs thomas jefferson and the empire of imagination although it will most assuredly not be the final word on the subject the book stands out as one of the finest studies on

**most blessed of the patriarchs thomas jefferson and the youtube** - Mar 22 2022

web most blessed of the patriarchs thomas jefferson and the empire of the imagination us national archives 427k subscribers  
subscribe 208 share 30k views streamed 7 years ago thomas

most blessed of the patriarchs thomas jefferson and the - Mar 02 2023

web a groundbreaking work of history that explicates thomas jefferson s vision of himself the american revolution christianity  
slavery and race thomas jefferson is often portrayed as a hopelessly enigmatic figure a riddle a man so riven with  
contradictions that he is almost impossible to know lauded as the most articulate voice of american freedom

*most blessed of the patriarchs thomas jefferson and the* - Jun 05 2023

web apr 13 2016 most blessed of the patriarchs thomas jefferson and the empire of the imagination annette gordon reed  
peter s onuf w w norton company apr 13 2016 history 400 pages new york

**most blessed of the patriarchs digs into thomas jefferson s npr** - Aug 27 2022

web apr 16 2016 transcript thomas jefferson is one of america s founders and even after centuries a mystery annette gordon  
reed talks about the book she co wrote with peter onuf most blessed of the

most blessed of the patriarchs thomas jefferson and the - Feb 18 2022

web sep 14 2016 book review most blessed of the patriarchs thomas jefferson and the empire of imagination by annette  
gordon reed and peter s onuf liveright publishing corporation 2016 buy now on amazon