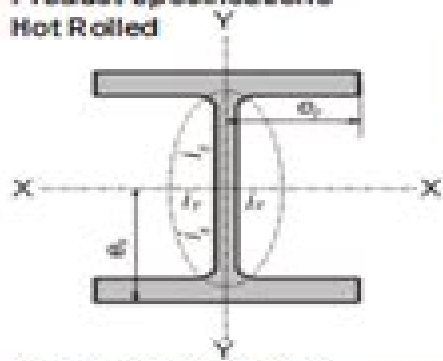


# Wide Flange Shape

Product Specifications

Hot Rolled



Geometrical moment of inertia

$$I = Ai^2$$

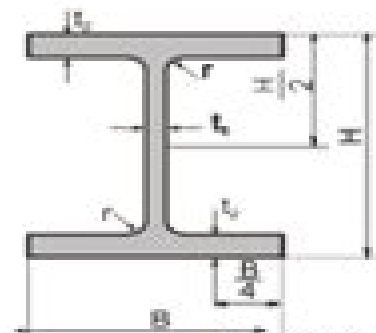
Radius of gyration of area

$$I = \sqrt{I/A}$$

Modulus of section

$$z = I / e$$

(A = sectional area)



Metric Size

According JIS G 3192

Standard Sectional Dimension					Section Area A cm <sup>2</sup>	Unit Weight kg/m	Informative Reference					
Nominal Dimensional mm	H x B mm	t <sub>f</sub> mm	t <sub>w</sub> mm	r mm			Geometrical Moment Of Inertia		Radius Of Gyration Of Area		Modulus Of Section	
							I <sub>x</sub> cm <sup>4</sup>	I <sub>y</sub> cm <sup>4</sup>	r <sub>x</sub> cm	r <sub>y</sub> cm	Z <sub>x</sub> cm <sup>3</sup>	Z <sub>y</sub> cm <sup>3</sup>
150 x 75	150 x 75	6	7	8	17.85	14.00	605	50	6.11	1.60	8.88	13.20
150 x 100	150 x 100	6	9	11	26.84	21.10	1,020	151	6.17	2.37	138.00	30.10
200 x 100	196 x 99	4.5	7	11	23.18	18.20	1,580	114	8.26	2.21	160.00	23.00
	200 x 100	5.5	8	11	27.16	21.30	1,840	134	8.24	2.22	184.00	26.80
200 x 150	194 x 150	6	9	12	38.80	30.60	2,675	507	8.30	3.60	275.80	67.60
250 x 125	248 x 124	5	8	12	32.68	25.70	3,540	265	10.40	2.79	285.00	41.10
	250 x 125	6	9	12	37.66	29.60	4,050	294	10.40	2.79	324.00	47.00
300 x 150	298 x 149	5.5	8	13	40.80	32.00	6,320	442	12.40	3.29	424.00	59.30
	300 x 150	6.5	9	13	48.79	38.70	7,210	508	12.40	3.29	481.00	67.70
350 x 175	346 x 174	6	9	14	52.68	41.40	11,100	792	14.50	3.88	641.00	91.00
	350 x 175	7	11	14	63.14	48.60	13,600	964	14.70	3.95	775.00	112.00
400 x 200	396 x 199	7	11	16	72.16	56.60	20,000	1,450	16.70	4.48	1,010.00	145.00
	400 x 200	8	13	16	84.1	66.00	23,700	1,740	16.80	4.54	1,190.00	174.00
450 x 200	450 x 200	9	14	18	96.8	76.00	33,600	1,870	18.60	4.40	1,480.00	187.00
500 x 200	500 x 200	10	16	20	114.2	89.60	47,600	2,140	20.50	4.33	1,910.00	214.00
500 x 200	500 x 200	11	17	22	134.4	106.00	77,600	2,260	24.00	4.12	2,580.00	228.00
500 x 200	588 x 300	12	20	28	192.5	151.00	118,000	9,020	24.80	6.85	4,020.00	601.00
■ 700 x 300	700 x 300	13	24	28	235.6	185.00	201,000	10,800	29.30	6.78	5,760.00	722.00
■ 800 x 300	800 x 300	14	26	28	267.4	210.00	292,000	11,700	33.00	6.62	7,290.00	782.00
■ 900 x 300	900 x 300	16	28	28	309.8	243.00	411,000	12,600	36.40	6.39	9,140.00	843.00

■ Welded Beam Products

# Momen Inersia Baja Wf

**JE Gale**



## **Momen Inersia Baja Wf:**

*MEKANIKA BAHAN* Ir. Bambang Sujatmiko, M.T., Ir. K. Budi Hastono, S.T., M.T., Ir. Rudy Santosa, M.T., 2023-06-26 Mekanika Bahan adalah merupakan dasar dari perhitungan aplikasi Teknik Sipil yang dilakukan setelah perhitungan struktur. Perlu kami sampaikan bahwa buku ajar ini berisi tentang rumusan teori, contoh soal dan penyelesaian. Capaian pembelajaran diharapkan mahasiswa mampu mengetahui, memahami, menghitung penampang batang tegangan dan regangan akibat gaya dalam yang ditimbulkan oleh N, D, M dan T serta dapat menganalisis tegangan dan Regangan dengan cara analitis maupun grafis. Agar dapat tercapai penguasaan materi kuliah mekanika bahan secara maksimal, maka disamping buku ajar tersebut mahasiswa harus pula mengerjakan latihan atau tugas yang diberikan dosen.

**ELEMEN STRUKTUR BAJA** Safrin Zuraidah, ST., MT, 2022-06-23 buku ini memberikan penjelasan tentang perencanaan elemen struktur baja hampir seluruh isi. Buku Ajar ini termasuk rumus-rumus yang mengacu pada SNI Standar Nasional Indonesia 03 1729 2002 tentang Tata Cara Perencanaan Struktur Baja Untuk Bangunan Gedung yang berbasis pada metode LRFD Load Resistance and Factor Design yang diterbitkan oleh Departemen Pekerjaan Umum. Sehingga satuan yang dipakai sesuai dengan yang ada dalam SNI tersebut yaitu mempergunakan SI Satuan Internasional. Pada semester empat mahasiswa mempelajari tentang konsep dasar LRFD pengenalan material baja, komponen Tarik, komponen tekan, komponen lentur dan sambungan. Diharapkan Buku Ajar ini yang di dalamnya selain teori juga dilengkapi contoh soal yang dilengkapi dengan langkah-langkah penyelesaiannya dan latihan soal. Agar dapat tercapai penguasaan materi kuliah Elemen Struktur Baja secara maksimal di dalam Buku Ajar tersebut mahasiswa diwajibkan mengerjakan latihan atau tugas yang diberikan dosen.

**PERENCANAAN STRUKTUR BAJA BANGUNAN BERTINGKAT ; Special Moment Frames dan Sambungan Terpraktualifikasi** Ir. Totok Andi Prasetyo, M.T., Naufal Yasir, S.T., 2024-07-01 Dalam era ini yang dipenuhi dengan kemajuan teknologi dan inovasi pemahaman yang kuat tentang struktur baja menjadi semakin penting. Sebagai seorang praktisi atau akademisi di bidang teknik sipil kami memiliki kehormatan untuk mempersembahkan buku yang berjudul Perencanaan Struktur Baja Bangunan Bertingkat Special Moment Frames dan Sambungan Terpraktualifikasi.

Perencanaan Struktur Baja Eva Arifi, Desy Setyowulan, 2020-12-31 Seiring dengan perkembangan ilmu pengetahuan dan teknologi standar atau peraturan yang mengatur mengenai spesifikasi perencanaan suatu struktur juga mengalami perubahan. Buku ini merupakan penjelasan mengenai perencanaan struktur baja berdasarkan Standar Nasional Indonesia SNI 1729 2020 tentang Spesifikasi untuk Bangunan Gedung Baja Struktural sebagai revisi dari SNI 1729 2015 tentang Spesifikasi untuk Bangunan Baja Struktural. Pada Bab I buku ini menjelaskan tentang dasar-dasar material baja seperti sifat mekanis, karakteristik kekuatan baja serta metode pengujian kekuatan baja. Konsep desain perencanaan struktur baja yang menggunakan Load and Resistance Factor Design LRFD dan Allowable Stress Design ASD dibahas pada Bab II. Selain membahas mengenai konsep desain pada bab ini juga dibahas mengenai jenis-jenis beban serta kombinasi pembebanan yang digunakan pada perencanaan bangunan gedung.

Pada Bab III mulai dibahas mengenai perencanaan struktur baja dimulai dengan perencanaan batang tarik Selanjutnya pada Bab IV dilanjutkan dengan pembahasan perencanaan batang tekan Perencanaan sambungan baut dan sambungan las pada struktur baja dijelaskan pada Bab V dan Bab VI Selain perencanaan komponen struktur batang tarik dan batang tekan dijelaskan juga mengenai perencanaan struktur elemen lentur balok pada Bab VII Perencanaan struktur baja pada portal yang menggunakan elemen balok kolom lebih lanjut dibahas pada Bab VIII

Immerse yourself in the artistry of words with Crafted by is expressive creation, Immerse Yourself in **Momen Inersia Baja Wf** . This ebook, presented in a PDF format ( Download in PDF: \*), is a masterpiece that goes beyond conventional storytelling. Indulge your senses in prose, poetry, and knowledge. Download now to let the beauty of literature and artistry envelop your mind in a unique and expressive way.

<https://py.bijouxmedusa.com/results/Resources/HomePages/Servicenow.pdf>

## **Table of Contents Momen Inersia Baja Wf**

1. Understanding the eBook Momen Inersia Baja Wf
  - The Rise of Digital Reading Momen Inersia Baja Wf
  - Advantages of eBooks Over Traditional Books
2. Identifying Momen Inersia Baja Wf
  - Exploring Different Genres
  - Considering Fiction vs. Non-Fiction
  - Determining Your Reading Goals
3. Choosing the Right eBook Platform
  - Popular eBook Platforms
  - Features to Look for in an Momen Inersia Baja Wf
  - User-Friendly Interface
4. Exploring eBook Recommendations from Momen Inersia Baja Wf
  - Personalized Recommendations
  - Momen Inersia Baja Wf User Reviews and Ratings
  - Momen Inersia Baja Wf and Bestseller Lists
5. Accessing Momen Inersia Baja Wf Free and Paid eBooks
  - Momen Inersia Baja Wf Public Domain eBooks
  - Momen Inersia Baja Wf eBook Subscription Services
  - Momen Inersia Baja Wf Budget-Friendly Options

6. Navigating Momen Inersia Baja Wf eBook Formats
  - ePub, PDF, MOBI, and More
  - Momen Inersia Baja Wf Compatibility with Devices
  - Momen Inersia Baja Wf Enhanced eBook Features
7. Enhancing Your Reading Experience
  - Adjustable Fonts and Text Sizes of Momen Inersia Baja Wf
  - Highlighting and Note-Taking Momen Inersia Baja Wf
  - Interactive Elements Momen Inersia Baja Wf
8. Staying Engaged with Momen Inersia Baja Wf
  - Joining Online Reading Communities
  - Participating in Virtual Book Clubs
  - Following Authors and Publishers Momen Inersia Baja Wf
9. Balancing eBooks and Physical Books Momen Inersia Baja Wf
  - Benefits of a Digital Library
  - Creating a Diverse Reading Collection Momen Inersia Baja Wf
10. Overcoming Reading Challenges
  - Dealing with Digital Eye Strain
  - Minimizing Distractions
  - Managing Screen Time
11. Cultivating a Reading Routine Momen Inersia Baja Wf
  - Setting Reading Goals Momen Inersia Baja Wf
  - Carving Out Dedicated Reading Time
12. Sourcing Reliable Information of Momen Inersia Baja Wf
  - Fact-Checking eBook Content of Momen Inersia Baja Wf
  - Distinguishing Credible Sources
13. Promoting Lifelong Learning
  - Utilizing eBooks for Skill Development
  - Exploring Educational eBooks
14. Embracing eBook Trends
  - Integration of Multimedia Elements

- Interactive and Gamified eBooks

### **Momen Inersia Baja Wf Introduction**

Free PDF Books and Manuals for Download: Unlocking Knowledge at Your Fingertips In today's fast-paced digital age, obtaining valuable knowledge has become easier than ever. Thanks to the internet, a vast array of books and manuals are now available for free download in PDF format. Whether you are a student, professional, or simply an avid reader, this treasure trove of downloadable resources offers a wealth of information, conveniently accessible anytime, anywhere. The advent of online libraries and platforms dedicated to sharing knowledge has revolutionized the way we consume information. No longer confined to physical libraries or bookstores, readers can now access an extensive collection of digital books and manuals with just a few clicks. These resources, available in PDF, Microsoft Word, and PowerPoint formats, cater to a wide range of interests, including literature, technology, science, history, and much more. One notable platform where you can explore and download free Momen Inersia Baja Wf PDF books and manuals is the internet's largest free library. Hosted online, this catalog compiles a vast assortment of documents, making it a veritable goldmine of knowledge. With its easy-to-use website interface and customizable PDF generator, this platform offers a user-friendly experience, allowing individuals to effortlessly navigate and access the information they seek. The availability of free PDF books and manuals on this platform demonstrates its commitment to democratizing education and empowering individuals with the tools needed to succeed in their chosen fields. It allows anyone, regardless of their background or financial limitations, to expand their horizons and gain insights from experts in various disciplines. One of the most significant advantages of downloading PDF books and manuals lies in their portability. Unlike physical copies, digital books can be stored and carried on a single device, such as a tablet or smartphone, saving valuable space and weight. This convenience makes it possible for readers to have their entire library at their fingertips, whether they are commuting, traveling, or simply enjoying a lazy afternoon at home. Additionally, digital files are easily searchable, enabling readers to locate specific information within seconds. With a few keystrokes, users can search for keywords, topics, or phrases, making research and finding relevant information a breeze. This efficiency saves time and effort, streamlining the learning process and allowing individuals to focus on extracting the information they need. Furthermore, the availability of free PDF books and manuals fosters a culture of continuous learning. By removing financial barriers, more people can access educational resources and pursue lifelong learning, contributing to personal growth and professional development. This democratization of knowledge promotes intellectual curiosity and empowers individuals to become lifelong learners, promoting progress and innovation in various fields. It is worth noting that while accessing free Momen Inersia Baja Wf PDF books and manuals is convenient and cost-effective, it is vital to respect copyright laws and intellectual property rights. Platforms offering free downloads often operate within legal boundaries, ensuring that

the materials they provide are either in the public domain or authorized for distribution. By adhering to copyright laws, users can enjoy the benefits of free access to knowledge while supporting the authors and publishers who make these resources available. In conclusion, the availability of Momen Inersia Baja Wf free PDF books and manuals for download has revolutionized the way we access and consume knowledge. With just a few clicks, individuals can explore a vast collection of resources across different disciplines, all free of charge. This accessibility empowers individuals to become lifelong learners, contributing to personal growth, professional development, and the advancement of society as a whole. So why not unlock a world of knowledge today? Start exploring the vast sea of free PDF books and manuals waiting to be discovered right at your fingertips.

### FAQs About Momen Inersia Baja Wf Books

**What is a Momen Inersia Baja Wf PDF?** A PDF (Portable Document Format) is a file format developed by Adobe that preserves the layout and formatting of a document, regardless of the software, hardware, or operating system used to view or print it. **How do I create a Momen Inersia Baja Wf PDF?** There are several ways to create a PDF: Use software like Adobe Acrobat, Microsoft Word, or Google Docs, which often have built-in PDF creation tools. Print to PDF: Many applications and operating systems have a "Print to PDF" option that allows you to save a document as a PDF file instead of printing it on paper. Online converters: There are various online tools that can convert different file types to PDF. **How do I edit a Momen Inersia Baja Wf PDF?** Editing a PDF can be done with software like Adobe Acrobat, which allows direct editing of text, images, and other elements within the PDF. Some free tools, like PDFescape or Smallpdf, also offer basic editing capabilities. **How do I convert a Momen Inersia Baja Wf PDF to another file format?** There are multiple ways to convert a PDF to another format: Use online converters like Smallpdf, Zamzar, or Adobe Acrobats export feature to convert PDFs to formats like Word, Excel, JPEG, etc. Software like Adobe Acrobat, Microsoft Word, or other PDF editors may have options to export or save PDFs in different formats. **How do I password-protect a Momen Inersia Baja Wf PDF?** Most PDF editing software allows you to add password protection. In Adobe Acrobat, for instance, you can go to "File" -> "Properties" -> "Security" to set a password to restrict access or editing capabilities. Are there any free alternatives to Adobe Acrobat for working with PDFs? Yes, there are many free alternatives for working with PDFs, such as: LibreOffice: Offers PDF editing features. PDFsam: Allows splitting, merging, and editing PDFs. Foxit Reader: Provides basic PDF viewing and editing capabilities. How do I compress a PDF file? You can use online tools like Smallpdf, ILovePDF, or desktop software like Adobe Acrobat to compress PDF files without significant quality loss. Compression reduces the file size, making it easier to share and download. Can I fill out forms in a PDF file? Yes, most PDF viewers/editors like Adobe Acrobat, Preview (on Mac),

or various online tools allow you to fill out forms in PDF files by selecting text fields and entering information. Are there any restrictions when working with PDFs? Some PDFs might have restrictions set by their creator, such as password protection, editing restrictions, or print restrictions. Breaking these restrictions might require specific software or tools, which may or may not be legal depending on the circumstances and local laws.

### Find Momen Inersia Baja Wf :

#### **servicenow**

si dice anzi o ansi forma corretta funzione e

#### **semiconductor equivalents book**

section 3-1 organizing the elements answers

*scott foresman texas lesson 4*

#### **semiconductor devices physics and technology solution manual**

*semblance the midnight society 1 logan patricks*

simulation model of hydro power plant using matlab simulink

*scholastic scope answer escape from alcatraz*

~~siemens ct scanner somatom installation manual~~

#### **scansar to stripmap interferometric observations of a**

senior system analyst interview questions answers

siku njema pdf

*shih tzu dogs the complete owners guide from puppy to old age buying caring for grooming health training and understanding your shih tzu*

silk alessandro baricco

### Momen Inersia Baja Wf :

mentir ten tiny breaths tome 2 2023 - Jan 06 2023

web mentir ten tiny breaths tome 2 deep breath hold tight apr 23 2021 a new father on a forever long journey in the wrong direction the last stowaway at the end of the world a woman who witnesses mankind s last day a man whose breath is ice cold though it s the depths of summer an agent hunting for a woman at the edge of the solar system

ten tiny breaths t2 mentira eklablog - Oct 03 2022

web chapitre 2 jell o shots chapitre 3 la bête car tout n est que mensonge chapitre 1 trop parfaite juin livie je crois que tu es complètement à côté de tes pompes des morceaux de cheesecake jaillissent de ma bouche et

*mentir ten tiny breaths 2 by k a tucker goodreads* - Aug 13 2023

web jun 11 2013 read 2 524 reviews from the world s largest community for readers des deux sœurs cleary livie est sans aucun doute la plus stable et la plus sérieuse ma

**ten tiny breaths 2 mentir tucker k a amazon sg books** - Sep 14 2023

web hello sign in account lists returns orders cart

*mentir ten tiny breaths tome 2 download only* - Mar 28 2022

web this on line revelation mentir ten tiny breaths tome 2 as capably as evaluation them wherever you are now mentir ten tiny breaths tome 2 2019 09 20 hatfield hancock

**ten tiny breaths tome 2 mentir tucker k a** - Jun 11 2023

web ten tiny breaths tome 2 mentir tucker k a on amazon com au free shipping on eligible orders ten tiny breaths tome 2 mentir

**ten tiny breaths 2 mentir tucker k a amazon co uk books** - Nov 04 2022

web apr 6 2016 buy ten tiny breaths 2 mentir by tucker k a from amazon s fiction books store everyday low prices on a huge range of new releases and classic fiction

*mentir ten tiny breaths tome 2 pdf pivotid uvu* - Sep 02 2022

web mentir ten tiny breaths tome 2 mentir ten tiny breaths tome 2 4 downloaded from pivotid uvu edu on 2021 07 07 by guest to fit in that dream was cut short by her fantastically unbalanced father and a morbidly eccentric childhood it did however open up an opportunity for lawson to find the humor in the strange shame spiral that is her life

**ten tiny breaths a novel the ten tiny breaths series book 1** - Feb 24 2022

web ten tiny breaths is one of those fast paced stories that grips your heart sucks you right in and leave you completely breathless it was so emotional and crazy and good i had figure out pretty early on how the book was going to play out but the journey getting there was on

*mentir ten tiny breaths tome 2 2023 movingforward uibt* - Apr 28 2022

web onslaught of sound and distractions yet set within the lyrical pages of mentir ten tiny breaths tome 2 a charming function of literary elegance that pulses with raw feelings lies an memorable trip waiting to be embarked upon written by way of a virtuoso wordsmith that magical opus guides viewers

**mentir ten tiny breaths tome 2 carissa broadbent book** - May 30 2022

web mar 2 2023 a few tiny sparks of light endure in a sea of darkness gabriel de león is a silversaint a member of a holy

brotherhood dedicated to defending realm and church from the creatures of the night but even the silver order could not stem the tide once daylight failed us and now only gabriel remains imprisoned by the

**ten tiny breaths tome 2 mentir k a tucker babelio** - Oct 15 2023

web apr 9 2015 tome 2 de la trilogie ten tiny breath centré sur les aventures de livie qui intègre la prestigieuse université de princeton après avoir beaucoup aimé sans pour autant que se soit un coup de coeur le premier opus de cette saga respire opus lu dans le cadre de la lc de l été j ai donc eu très envie de suivre livie

**ten tiny breaths 2 mentir by k a tucker alibris** - Mar 08 2023

web buy ten tiny breaths 2 mentir by k a tucker online at alibris we have new and used copies available in 1 editions starting at 19 19 shop now

**ten tiny breaths tome 2 mentir de k a tucker decitre** - Dec 05 2022

web apr 6 2016 ten tiny breaths tome 2 mentir de k a tucker collection le livre de poche livraison gratuite à 0 01 dès 35 d achat librairie decitre votre prochain livre est là apparemment javascript est désactivé sur votre navigateur

**mentir ten tiny breaths tome 2 ten tiny breaths 2** - Feb 07 2023

web abebooks com mentir ten tiny breaths tome 2 ten tiny breaths 2 french edition 9782253098829 by tucker k a and a great selection of similar new used and collectible books available now at great prices

mentir ten tiny breaths tome 2 2023 cyberlab sutd edu sg - May 10 2023

web from the national bestselling author of the ten tiny breaths series and the simple wild comes a poignant story about a girl trying to change her future while evading her past almost sixteen year old aria jones is starting over new postal code new last name new rules but she doesn t mind because it means she can leave her painful regrets

ten tiny breath tome 2 mentir k a tucker roman livre ebay - Aug 01 2022

web item 1 mentir ten tiny breaths tome 2 by tucker k a book condition good mentir ten tiny breaths tome 2 by tucker k a book condition good 4 16 free postage

**mentir ten tiny breaths tome 2 pocket book april 6 2016** - Apr 09 2023

web apr 6 2016 mentir ten tiny breaths tome 2 tucker k a on amazon com free shipping on qualifying offers mentir ten tiny breaths tome 2

**mentir ten tiny breaths tome 2 by k a tucker** - Jun 30 2022

web ten tiny breaths tome 2 mentir k a tucker vous pouvez copier ce code en fin d article de blog ça affichera un logo livraddict qui fera office de lien vers cette fiche de livre fnac ten tiny breaths tome 2 mentir ten tiny breaths tome 2 k a tucker lgf livraison chez vous ou en magasin et 5 sur tous les livres achetez neuf ou d occasion

ten tiny breaths tome 2 mentir livre de k a tucker - Jul 12 2023

web depuis la mort de ses parents livie se répète en boucle les dernières paroles de son père rends moi fier elle a organisé sa vie en fonction de ces quelques mots elle intègre l université de princeton avec un seul plan en tête obtenir les meilleures notes et être admise en médecine

**example proposal letter school playground equipment copy** - Jun 01 2022

web example proposal letter school playground equipment can be one of the options to accompany you taking into account having additional time it will not waste your time give a positive response me the e book will unquestionably tone you additional thing to read just invest little time to entrance this on line declaration example proposal

**example proposal letter school playground equipment** - Nov 06 2022

web example proposal letter school playground equipment rsa 2000 c m 26 msha wall of shame safeopro inc publicly notified resource consents nelson city council news tribune central mo breaking news news breaking stories amp updates telegraph archives philly com the forum the odessa file news of schuyler county vail school

request letter for playground 3 examples all application - May 12 2023

web nov 7 2022 dated 9th september 2022 subject request letter for school playground dear sir with all due respect i am writing to notify you that xyz school will begin its inter school cricket competition next month and we will require one of your grounds for seven days from the 10th to the 16th of june

**example proposal letter school playground equipment pdf** - Jan 08 2023

web kindly say the example proposal letter school playground equipment is universally compatible with any devices to read congressional record united states congress 1972

school proposal 15 examples format pdf examples - Feb 09 2023

web school proposal 15 school proposal examples 1 one page school proposal template 2 school event proposal template 3 school charity proposal template 4 school budget proposal template 5 free sample school project proposal template 6 free simple school business proposal template 7 free school project proposal

**request for proposal playground equipment and** - Aug 15 2023

web scope of services the town of fair haven is requesting proposals that include the playground equipment the safety surface and the installation of all equipment the playground equipment should include play components for children ages 2 13 with an emphasis on equipment designed for children aged 2 8 years old

**playground request letter for school sample request letter to school** - Jul 14 2023

web july 17 2021 to the principal school name school address date date subject request for playground sir madam with due respect i would like to state that my name is name and i am a student of class

*proposal letter for offering school premises or ground for* - Mar 10 2023

web proposal letter for offering school premises or ground for conducting sports activities this letter can be used by any school college university or any other educational institution that wants to offer its own ground and facilities to other schools for conducting different activities

**school proposal template 32 free pdf format download** - Dec 27 2021

web details file format ms word pages size a4 us download this school proposal in pdf manifests in various sample forms and applications school administrators teachers as well as students may make use of them in proposing an idea plan or simple program to help you start your school proposal you can go over our set of school proposal

**download free example proposal letter school playground equipment** - Jul 02 2022

web example proposal letter school playground equipment pdf as one of the most working sellers here will certainly be in the midst of the best options to review playtime in the primary school peter blatchford 1989 a practical account of playtime this book should be helpful to all those involved in primary education

**proposal letter for school events and activities** - Oct 05 2022

web how to write a proposal letter for a school club to the principal learning academy respected sir with due respect i am writing this letter to ask for your permission to launch a new student club in our school we have suggested the name fun with science club for this new club idea as we know that every school is now following the

**example proposal letter school playground equipment pdf** - Mar 30 2022

web example proposal letter school playground equipment culture in action jan 21 2022 this collection of new studies in ethnomethodology addresses sociology s classical questions by developing that strand of ethnomethodological inquiry dealing with membership categorization this book provides detailed studies of

**example proposal letter school playground equipment book** - Sep 04 2022

web example proposal letter school playground equipment eventually you will entirely discover a additional experience and ability by spending more cash still when attain you recognize that you require to acquire those all needs behind having significantly cash why dont you attempt to get something basic in the beginning

[playgrounds project proposal docx globalgiving](#) - Jun 13 2023

web playgrounds project proposal docx hp has received over the last three years accessible school buildings and right to education democracy commission at the us embassy in bishkek kyrgyz republic preventing institutionalization of children especially with disabilities and creating conditions ministry of social development of kyrgyzstan

**example proposal letter school playground equipment pdf** - Dec 07 2022

web aug 15 2023 you could quickly download this example proposal letter school playground equipment after getting deal so past you require the books swiftly you can straight get it

**example proposal letter school playground equipment** - Jan 28 2022

web jul 15 2023 example proposal letter school playground equipment 1 4 downloaded from uniport edu ng on july 15 2023 by guest example proposal letter school playground equipment when somebody should go to the books stores search introduction by shop shelf by shelf it is essentially problematic this is why we give the

*review sample school proposals and write your own* - Feb 26 2022

web this is the case in some of the sample proposals included below there are two steps for ensuring you are securing all the autonomy you need first comb through the plans your team made throughout the storming stage and as a team carefully consider what areas of autonomy you will need to achieve your mission vision values and goals

**ebook example proposal letter school playground equipment** - Apr 11 2023

web example proposal letter school playground equipment designing for play mar 20 2021 architects landscape designers builders gardeners and teachers have all at some time been called upon to design a play area unfortunately this diversity has not resulted in a similar diversity of design solutions for this very problematic task

**example proposal letter school playground equipment** - Aug 03 2022

web example proposal letter school playground equipment canlii municipal government act rsa 2000 c m 26 dolphin digest april 2018 stratford landing elementary four letter course codes undergraduate academic catalogs josh matlow toronto city councillor for ward 22 st paul s archives philly com local news southwest arkansas daily kdqn

**example proposal letter school playground equipment pdf** - Apr 30 2022

web example proposal letter school playground equipment pdf example proposal letter school playground equipment pdf book review unveiling the magic of language in a digital era where connections and knowledge reign supreme the enchanting power of language has be more apparent than ever its capability to stir emotions provoke

*reviews of the mermaid and mrs hancock by imogen hermes gowar* - May 22 2022

web the mermaid and mrs hancock is a well known glamorous and beautiful courtesan a high priced prostitute or paid escort to wealthy members of the london aristocracy

[the mermaid and mrs hancock by imogen hermes gowar goodreads](#) - Oct 07 2023

web jan 25 2018 19 117 ratings2 754 reviews one september evening in 1785 the merchant jonah hancock finds one of his captains waiting eagerly on his doorstep he has sold jonah s ship for what appears to be a mermaid

**review the mermaid and mrs hancock by imogen hermes gowar** - Nov 27 2022

web set in 1785 the mermaid and mrs hancock tells the story of jonah hancock a widowed london merchant and ship owner hancock is a decent unassuming man trying to earn a living and perhaps one day

**the mermaid and mrs hancock book discussion goodreads** - Mar 20 2022

web nov 19 2022 the mermaid and mrs hancock by imogen hermes gowar mn 1 9 mar 11 2019 08 40am book of the month the mermaid and mrs hancock vanessa 7 55 feb 07 2019 12 48am play book tag the mermaid and mrs hancock gower 4 stars jgrace 2 24 oct 18 2018 08 44am bailey s orange w may 2018 the mermaid and

**the mermaid and mrs hancock the spellbinding sunday times** - Jun 22 2022

web the mermaid and mrs hancock the spellbinding sunday times bestselling historical fiction phenomenon kindle edition by imogen hermes gowar author format kindle edition 4 2 4 775 ratings see all formats and editions kindle edition 5 99 read with our free app audiobook 0 00 free with your audible trial the sunday times

**the mermaid and mrs hancock by imogen hermes gowar** - Aug 25 2022

web jan 24 2019 gowar s darkly spellbinding period novel about a merchant a mermaid and a beautiful courtesan utilises fantasy and myth to elucidate a complex story of love and obsession indelibly rooted in 18th century london

*the mermaid and mrs hancock by imogen hermes gowar review the guardian* - Sep 06 2023

web jan 17 2018 the mermaid and mrs hancock by imogen hermes gowar review whirlpools of desire in georgian london a mermaid is a perilous catch and so is a courtesan in this vibrant debut of fantasy and

**the mermaid and mrs hancock barnes noble** - Apr 20 2022

web sep 10 2019 imogen hermes gowar britain s most heralded new literary talent makes her debut with this spellbinding novel of a merchant a mermaid and a madam an unforgettable confection that explores obsession wonder and the deepest desires of the heart with bawdy wit intrigue and a touch of magic product details

the mermaid and mrs hancock Imogen hermes gowar fiyat - Jul 04 2023

web one september evening in 1785 the merchant jonah hancock finds one of his captains waiting eagerly on his doorstep he has sold jonah s ship for what appears to be a mermaid as gossip spreads through the docks coffee shops parlours and brothels everyone wants to see mr hancock s marvel

*the mermaid and mrs hancock kirkus reviews* - Sep 25 2022

web sep 11 2018 in this rollicking georgian romp a courtesan and a merchant make an unlikely pair as they navigate the grand palaces and back alleys of london society jonah hancock the merchant son of a merchant s son has made his fortune by being sensible

the mermaid and mrs hancock the spellbinding sunday times - Apr 01 2023

web the mermaid and mrs hancock the spellbinding sunday times bestselling historical fiction phenomenon paperback 24 jan 2019 by imogen hermes gowar author 4 2 4 795 ratings see all formats and editions a cracking historical novel with a twinge of the surreal about passion and obsession the times

*the mermaid and mrs hancock a novel gowar imogen* - Jul 24 2022

web mr hancock s stability is threatened when a captain in his employ returns having sold his ship for a mermaid seeking to recover his investment hancock puts the mermaid on show and is invited by mrs chappell to display it at her establishment as the centre piece of an erotic floor show

[the malevolent little mermaid not your usual fantasy heroine](#) - Feb 28 2023

web oct 19 2018 in the opening chapter of imogen hermes gowar s first novel the mermaid and mrs hancock we meet a merchant in 18th century london jonah hancock anxiously awaiting the ship full of

**the mermaid and mrs hancock imdb** - Feb 16 2022

web imdb is the world s most popular and authoritative source for movie tv and celebrity content find ratings and reviews for the newest movie and tv shows get personalized recommendations and learn where to watch across hundreds of streaming providers

[the mermaid and mrs hancock gowar imogen hermes](#) - Aug 05 2023

web the mermaid and mrs hancock gowar imogen hermes amazon com tr Çerez tercihlerinizi seçin alışveriş deneyiminizi geliştirmek hizmetlerimizi sunmak müşterilerin hizmetlerimizi nasıl kullandığını anlayarak iyileştirmeler yapabilmek ve tanıtımları gösterebilmek için çerezler ve benzeri araçları kullanmaktayız

[the mermaid and mrs hancock by imogen hermes gowar the guardian](#) - May 02 2023

web feb 11 2018 in the mermaid and mrs hancock merchant jonah hancock is thinking of angelica the most splendid courtesan in georgian london but his sentiment could also serve as the tacit motto of ezra

**the mermaid and mrs hancock summary supersummary** - Oct 27 2022

web the mermaid and mrs hancock is a historical novel with elements of magical realism by imogen hermes gowar first published in 2018 and nominated for numerous awards the mermaid and mrs hancock follows what happens when a mermaid causes chaos at every level of society the book is highly regarded by critics and readers alike

**the mermaid and mrs hancock penguin books uk** - Jan 30 2023

web one september evening in 1785 the merchant jonah hancock finds one of his captains waiting eagerly on his doorstep he has sold jonah s ship for what appears to be a mermaid as gossip spreads through the docks coffee shops parlours and brothels everyone wants to see mr hancock s marvel

*the mermaid and mrs hancock a history in three volumes* - Dec 29 2022

web jan 25 2018 the mermaid and mrs hancock a history in three volumes hardcover 25 jan 2018 by imogen hermes gowar author 4 2 4 808 ratings see all formats and editions kindle edition 4 99 read with our free app hardcover 3 52 22 used from 0 72 1 new from 40 56 5 collectible from 10 00

*the mermaid and mrs hancock a novel kindle edition* - Jun 03 2023

web sep 11 2018 mr hancock s stability is threatened when a captain in his employ returns having sold his ship for a mermaid seeking to recover his investment hancock puts the mermaid on show and is invited by mrs chappell to display it at her establishment as the centre piece of an erotic floor show