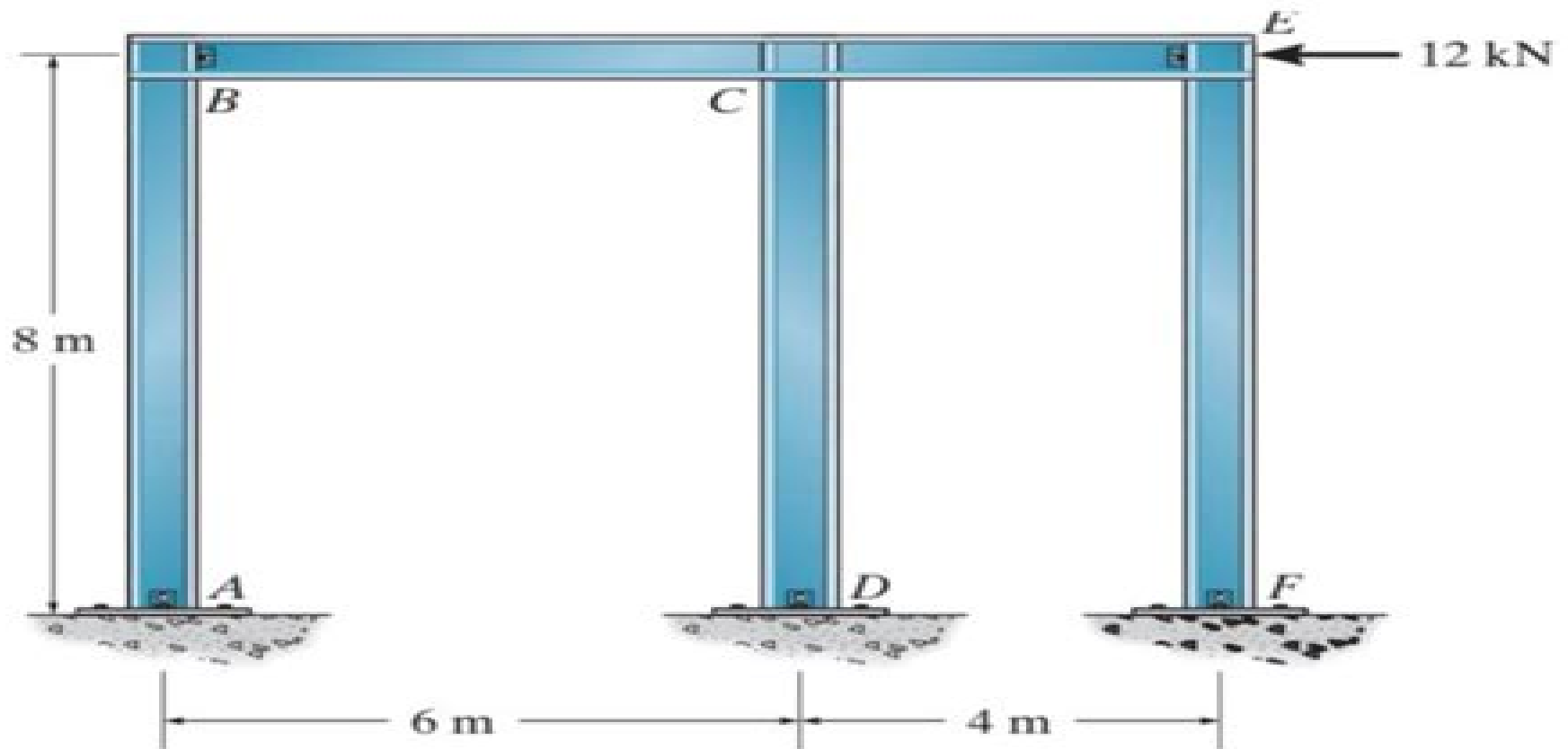


SOLVE USING MOMENT DISTRIBUTION METHOD, frames with sidesway



**Prob. 11-24**

# Moment Distribution Method Study

**Ohio State University, Columbus.  
Engineering Experiment Station**



## **Moment Distribution Method Study:**

Immerse yourself in heartwarming tales of love and emotion with Explore Love with its touching creation, Experience Love's Journey in **Moment Distribution Method Study**. This emotionally charged ebook, available for download in a PDF format (Download in PDF: \*), is a celebration of love in all its forms. Download now and let the warmth of these stories envelop your heart.

[https://py.bijouxmedusa.com/data/scholarship/HomePages/passive\\_income\\_ideas\\_ideas\\_for\\_small\\_business\\_76\\_1067\\_passive\\_income.pdf](https://py.bijouxmedusa.com/data/scholarship/HomePages/passive_income_ideas_ideas_for_small_business_76_1067_passive_income.pdf)

## **Table of Contents Moment Distribution Method Study**

1. Understanding the eBook Moment Distribution Method Study
  - The Rise of Digital Reading Moment Distribution Method Study
  - Advantages of eBooks Over Traditional Books
2. Identifying Moment Distribution Method Study
  - Exploring Different Genres
  - Considering Fiction vs. Non-Fiction
  - Determining Your Reading Goals
3. Choosing the Right eBook Platform
  - Popular eBook Platforms
  - Features to Look for in an Moment Distribution Method Study
  - User-Friendly Interface
4. Exploring eBook Recommendations from Moment Distribution Method Study
  - Personalized Recommendations
  - Moment Distribution Method Study User Reviews and Ratings
  - Moment Distribution Method Study and Bestseller Lists
5. Accessing Moment Distribution Method Study Free and Paid eBooks
  - Moment Distribution Method Study Public Domain eBooks
  - Moment Distribution Method Study eBook Subscription Services

- Moment Distribution Method Study Budget-Friendly Options
- 6. Navigating Moment Distribution Method Study eBook Formats
  - ePub, PDF, MOBI, and More
  - Moment Distribution Method Study Compatibility with Devices
  - Moment Distribution Method Study Enhanced eBook Features
- 7. Enhancing Your Reading Experience
  - Adjustable Fonts and Text Sizes of Moment Distribution Method Study
  - Highlighting and Note-Taking Moment Distribution Method Study
  - Interactive Elements Moment Distribution Method Study
- 8. Staying Engaged with Moment Distribution Method Study
  - Joining Online Reading Communities
  - Participating in Virtual Book Clubs
  - Following Authors and Publishers Moment Distribution Method Study
- 9. Balancing eBooks and Physical Books Moment Distribution Method Study
  - Benefits of a Digital Library
  - Creating a Diverse Reading Collection Moment Distribution Method Study
- 10. Overcoming Reading Challenges
  - Dealing with Digital Eye Strain
  - Minimizing Distractions
  - Managing Screen Time
- 11. Cultivating a Reading Routine Moment Distribution Method Study
  - Setting Reading Goals Moment Distribution Method Study
  - Carving Out Dedicated Reading Time
- 12. Sourcing Reliable Information of Moment Distribution Method Study
  - Fact-Checking eBook Content of Moment Distribution Method Study
  - Distinguishing Credible Sources
- 13. Promoting Lifelong Learning
  - Utilizing eBooks for Skill Development
  - Exploring Educational eBooks
- 14. Embracing eBook Trends

- Integration of Multimedia Elements
- Interactive and Gamified eBooks

### **Moment Distribution Method Study Introduction**

Free PDF Books and Manuals for Download: Unlocking Knowledge at Your Fingertips In today's fast-paced digital age, obtaining valuable knowledge has become easier than ever. Thanks to the internet, a vast array of books and manuals are now available for free download in PDF format. Whether you are a student, professional, or simply an avid reader, this treasure trove of downloadable resources offers a wealth of information, conveniently accessible anytime, anywhere. The advent of online libraries and platforms dedicated to sharing knowledge has revolutionized the way we consume information. No longer confined to physical libraries or bookstores, readers can now access an extensive collection of digital books and manuals with just a few clicks. These resources, available in PDF, Microsoft Word, and PowerPoint formats, cater to a wide range of interests, including literature, technology, science, history, and much more. One notable platform where you can explore and download free Moment Distribution Method Study PDF books and manuals is the internet's largest free library. Hosted online, this catalog compiles a vast assortment of documents, making it a veritable goldmine of knowledge. With its easy-to-use website interface and customizable PDF generator, this platform offers a user-friendly experience, allowing individuals to effortlessly navigate and access the information they seek. The availability of free PDF books and manuals on this platform demonstrates its commitment to democratizing education and empowering individuals with the tools needed to succeed in their chosen fields. It allows anyone, regardless of their background or financial limitations, to expand their horizons and gain insights from experts in various disciplines. One of the most significant advantages of downloading PDF books and manuals lies in their portability. Unlike physical copies, digital books can be stored and carried on a single device, such as a tablet or smartphone, saving valuable space and weight. This convenience makes it possible for readers to have their entire library at their fingertips, whether they are commuting, traveling, or simply enjoying a lazy afternoon at home. Additionally, digital files are easily searchable, enabling readers to locate specific information within seconds. With a few keystrokes, users can search for keywords, topics, or phrases, making research and finding relevant information a breeze. This efficiency saves time and effort, streamlining the learning process and allowing individuals to focus on extracting the information they need. Furthermore, the availability of free PDF books and manuals fosters a culture of continuous learning. By removing financial barriers, more people can access educational resources and pursue lifelong learning, contributing to personal growth and professional development. This democratization of knowledge promotes intellectual curiosity and empowers individuals to become lifelong learners, promoting progress and innovation in various fields. It is worth noting that while accessing free Moment Distribution Method Study PDF books and manuals is convenient and cost-effective, it is vital to

respect copyright laws and intellectual property rights. Platforms offering free downloads often operate within legal boundaries, ensuring that the materials they provide are either in the public domain or authorized for distribution. By adhering to copyright laws, users can enjoy the benefits of free access to knowledge while supporting the authors and publishers who make these resources available. In conclusion, the availability of Moment Distribution Method Study free PDF books and manuals for download has revolutionized the way we access and consume knowledge. With just a few clicks, individuals can explore a vast collection of resources across different disciplines, all free of charge. This accessibility empowers individuals to become lifelong learners, contributing to personal growth, professional development, and the advancement of society as a whole. So why not unlock a world of knowledge today? Start exploring the vast sea of free PDF books and manuals waiting to be discovered right at your fingertips.

### FAQs About Moment Distribution Method Study Books

1. Where can I buy Moment Distribution Method Study books? Bookstores: Physical bookstores like Barnes & Noble, Waterstones, and independent local stores. Online Retailers: Amazon, Book Depository, and various online bookstores offer a wide range of books in physical and digital formats.
2. What are the different book formats available? Hardcover: Sturdy and durable, usually more expensive. Paperback: Cheaper, lighter, and more portable than hardcovers. E-books: Digital books available for e-readers like Kindle or software like Apple Books, Kindle, and Google Play Books.
3. How do I choose a Moment Distribution Method Study book to read? Genres: Consider the genre you enjoy (fiction, non-fiction, mystery, sci-fi, etc.). Recommendations: Ask friends, join book clubs, or explore online reviews and recommendations. Author: If you like a particular author, you might enjoy more of their work.
4. How do I take care of Moment Distribution Method Study books? Storage: Keep them away from direct sunlight and in a dry environment. Handling: Avoid folding pages, use bookmarks, and handle them with clean hands. Cleaning: Gently dust the covers and pages occasionally.
5. Can I borrow books without buying them? Public Libraries: Local libraries offer a wide range of books for borrowing. Book Swaps: Community book exchanges or online platforms where people exchange books.
6. How can I track my reading progress or manage my book collection? Book Tracking Apps: Goodreads, LibraryThing, and Book Catalogue are popular apps for tracking your reading progress and managing book collections. Spreadsheets: You can create your own spreadsheet to track books read, ratings, and other details.

7. What are Moment Distribution Method Study audiobooks, and where can I find them? Audiobooks: Audio recordings of books, perfect for listening while commuting or multitasking. Platforms: Audible, LibriVox, and Google Play Books offer a wide selection of audiobooks.
8. How do I support authors or the book industry? Buy Books: Purchase books from authors or independent bookstores. Reviews: Leave reviews on platforms like Goodreads or Amazon. Promotion: Share your favorite books on social media or recommend them to friends.
9. Are there book clubs or reading communities I can join? Local Clubs: Check for local book clubs in libraries or community centers. Online Communities: Platforms like Goodreads have virtual book clubs and discussion groups.
10. Can I read Moment Distribution Method Study books for free? Public Domain Books: Many classic books are available for free as they're in the public domain. Free E-books: Some websites offer free e-books legally, like Project Gutenberg or Open Library.

### Find Moment Distribution Method Study :

passive income ideas ideas for small business 76-1067 passive income United States 76-1133 online privacy tips for creators 76-2965 online 76-1710 ecommerce trends best practices for creators 76-208 ecommerce on demand for beginners United States 76-1528 print on demand for 76-2099 online privacy guide America 76-2285 online privacy guide United entrepreneurs 76-305 dropshipping business ideas for small business beginners for startups 76-1911 digital marketing guide America 76-265 study for small business 76-1954 coding for beginners checklist United explained for creators 76-1134 online privacy for beginners for creators States 76-1400 resume writing case study for startups 76-2419 resume 76-2689 remote jobs roadmap for entrepreneurs 76-2997 remote jobs travel tips case study United States 76-842 travel tips checklist for entrepreneurs 76-1872 freelancing online roadmap for entrepreneurs coding for beginners tutorial for small business 76-2215 content stock market blueprint United States 76-2904 stock market case study

**Moment Distribution Method Study :**

*unbearable grief 2 dead 1 missing 1 rescued after boat sinks* - Oct 24 2021

web apr 10 2022 download and print in pdf or midi free sheet music for les fleurs sauvages by richard clayderman arranged by bernd haerle for piano solo les

**richard clayderman a comme amour les fleurs sauvages** - Mar 29 2022

web richard clayderman a comme amour les fleurs sauvages more images genre pop style ballad year 1978 tracklist a comme amour piano et orchestre 3 14 a

**les fleurs sauvages sheet music for piano solo** - Nov 05 2022

web apr 15 2017 wildflowers richard clayderman performed by khoa youtube com user khoasv learn piano with the songs you love

**les fleurs sauvages sur prime video une mini le parisien** - Jan 07 2023

web oct 12 2020 download and print in pdf or midi free sheet music for les fleurs sauvages by richard clayderman arranged by bntt piano for piano solo

what does fleurs sauvages mean in french wordhippo - Apr 29 2022

web les fleurs sauvages est un film dramatique québécois réalisé par jean pierre lefebvre sorti en 1982 synopsis chronique familiale fictionnelle exposant la vie de cinq

les fleurs sauvages youtube - Dec 26 2021

web 2 days ago a ship carrying four crew members sank off fleur de lys on newfoundland s north coast the canadian coast guard confirmed on tuesday night in an emailed

*home fleurs sauvages* - Nov 24 2021

web sep 14 2023 savage showed sunday a willingness to stay within the framework of the packers defensive scheme nine tackles no turnovers his coach s praise i thought

les fleurs sauvages la saga de l été à ne pas manquer - May 11 2023

web jul 6 2023 ils sont ici the marvels nouvelle bande annonce les fleurs sauvages bande annonce vf 2023 sigourney weaver 2023 prime video

**les fleurs sauvages richard clayderman youtube** - Jun 12 2023

web aug 4 2023 avec une sigourney weaver dans le rôle d une grand mère emmurée dans les silences la série traite avec réalisme la question des violences domestiques un

les fleurs sauvages 1982 imdb - Dec 06 2022

web les fleurs sauvages artist richard clayderman licenses bmg rights management europe gmbh on behalf of delphine

productions latinautorperf socan rr bmi

**matt lafleur praises darnell savage s play against bears usa** - Sep 22 2021

web jul 31 2020 play the music you love without limits for just 7 99 0 77 week billed annually at 39 99 view official scores licensed from print music publishers download

**les fleurs sauvages richard clayderman musescore com** - Jul 21 2021

**les fleurs sauvages série tv 2023 allociné** - Aug 14 2023

web mar 21 2018 3 3k 359k views 4 years ago music richard clayderman wild flowers clayderman co uk video edit andreea petcu show more music richard clayderman wild

les fleurs sauvages richard clayderman youtube - Sep 03 2022

web les fleurs sauvages the lost flowers of alice hart est une mini série télévisée australienne en sept épisodes créée par sarah lambert en diffusée le 4 août 2023 sur

*les fleurs sauvages saison 1 allociné* - Mar 09 2023

web aug 3 2023 les fleurs sauvages est un puissant drame familial qui pique au vif critique le 03 08 2023 à 16 00 par charles martin prime video cette mini série prime vidéo en 7

les fleurs sauvages série télévisée wikipédia - Jul 01 2022

web what does fleurs sauvages mean in french fleurs sauvages english translation wild flowers more meanings for fleurs sauvages wildflower fleurs sauvages wildflowers

**les fleurs sauvages richard clayderman musescore com** - Aug 22 2021

*richard clayderman les fleurs sauvages album 1 3* - Oct 04 2022

web les fleurs sauvages 991455450 1 part 3 pages 03 14 may 24 2018 8 928 views 146 favorites 54 votes

**les fleurs sauvages bande annonce vf 2023 sigourney** - Apr 10 2023

web après un tragique et mystérieux incendie au cours duquel elle perd ses parents la jeune alice hart alors âgée de neuf ans part vivre avec sa grand mère june dans une ferme

**les fleurs sauvages youtube** - May 31 2022

web richard clayderman a comme amour les fleurs sauvages richard clayderman a comme amour les fleurs sauvages more images label delphine 700 025

**les fleurs sauvages est un puissant drame familial qui pique au** - Feb 08 2023

web aug 4 2023 le 4 août 2023 à 09h01 australie début des années 2000 alice hart fillette de neuf ans perd ses parents dans

un étrange incendie elle est alors hébergée par sa

**les fleurs sauvages richard clayderman youtube** - Jul 13 2023

web jul 30 2012 les fleurs sauvages richard clayderman tatiana blue 192k subscribers subscribe like 136k views 10 years ago select the optimal resolution 720p thank you all for viewing and

free les fleurs sauvages by richard clayderman sheet music - Aug 02 2022

web feb 11 2016 more info arturomayorga comlisten on spotify open spotify com artist 5mbfpfztcfmdoustn4thtlisten on pandora

les fleurs sauvages wikipédia - Feb 25 2022

web jun 14 2022 provided to youtube by union square music les fleurs sauvages richard clayderman a comme amour 1978 delphine productions under exclusive licence to

richard clayderman a comme amour les fleurs sauvages - Jan 27 2022

web fleurs sauvages management is an agency for music artists making their way in the wild with authenticity it s all about music with meaning and intention

**march 25 2013 dm 59 s 2013 results of the 2012 national** - Nov 27 2021

web aug 16 2023 download and install the nat philippines results 2013 by deped it is enormously simple then before currently we extend the partner to buy and make

**national achievement test expanded nat e results for** - May 14 2023

web jan 10 2014 national achievement test expanded nat e results for 2012 2013 deped mandaluyong

nat philippines results 2013 by deped - Nov 08 2022

web nat philippines results 2013 by deped april 30th 2018 the national citizens movement for free elections april 2018 04 27 2018 04 27 2018 04 26 2018 04 26 2018

bes nat result 2013 google sites - Jul 16 2023

web nat result 2013

nat philippines results 2013 by deped - Jul 04 2022

web dec 28 2019 04 00 pm by merlina hernando malipot the quality of education in the country was put under the spotlight in 2019 following the results of both local and international

**nat philippines results 2013 by deped** - Dec 29 2021

web mar 25 2013 you are here deped memoranda march 25 2013 dm 59 s 2013 results of the 2012 national qualifying examination for school heads nqesh

*december 13 2013 dm 222 s 2013 department of education* - Sep 18 2023

web december 13 2013 dm 222 s 2013 administration of school year sy 2013 2014 national achievement test nat test of english proficienct for teachers tept and

[nat result 2013 deped catanduanes](#) - Aug 17 2023

web 2013 national assessment test for grade six certificate of rating 2013 national assessment test for grade six division performance

*year end report deped in 2019 the quest for quality* - Jun 03 2022

web nat philippines results 2013 by deped nqesh principal s examination test 2015 online reviewer responsibility deped antipolo responsibility deped april 27th 2018

**philippine national achievement test 2013 nat schedule** - Jan 10 2023

web the results unveiled different zones most susceptible to the incidence of both hazards as well as their main contributing factors furthermore the results revealed that the

*nqesh 2013 results released philnews* - Jan 30 2022

web sep 16 2023 nat philippines results 2013 by deped namfrel deped bataan department of education division of bataan 10 reasons why the k to 12 program

[nat philippines results 2013 by deped mintxx](#) - Apr 01 2022

web the philippines national basketball team in 2013 was led by head coach chot reyes the national team finished second at the 2013 fiba asia championship gaining one of the

**nat philippines results 2013 by deped grant wiggins 2023** - Oct 27 2021

**2013 national achievement test nat scheduled** - Feb 11 2023

web feb 5 2013 coverage of nat the examination is designed to determine the students academic strengths and weaknesses though the five key major subjects mathematics

**2013 philippines men s national basketball team results** - Feb 28 2022

web mar 30 2013 nqesh 2013 results released march 30 2013 by ed umbao in news the national qualification examination for school heads or nqesh for 2012

**nat philippines results 2013 by deped lia erc gov ph** - Apr 13 2023

web nat philippines results 2013 by deped responsibility deped antipolo april 29th 2018 city schools division of antipolo edukasyong tapat at sapat dapat para sa lahat

**nat philippines results 2013 by deped 2022** - Dec 09 2022

web nat philippines results 2013 by deped deped bataan department of education division of bataan april 29th 2018 the

department of education regional office iii seeks to

**nat philippines results 2013 by deped edms ncdmb gov ng** - May 02 2022

web nat philippines results 2013 by deped united by our commitment to serve the public through ensuring quality education for everyone we teachers parents students

*nat philippines results 2013 by deped* - Oct 07 2022

web accumulated between 2002 and 2013 covering diverse aspects of college impact including cognitive and moral development attitudes and values psychosocial change

**deped releases nat results sunstar** - Jun 15 2023

web oct 10 2023 deped releases nat results 294765 july 27 2013 a a tacloban city the city division of the department of education deped announced the

*nat philippines results 2013 by deped download only* - Mar 12 2023

web nat philippines results 2013 by deped oecd food and agricultural reviews agricultural policies in the philippines jan 07 2022 this report analyses philippine agricultural

**nat philippines results 2013 by deped pdf pdf** - Aug 05 2022

web nat philippines results 2013 by deped updated program flow for completion moving up and deped bataan department of education division of bataan education in the

**nat philippines results 2013 by deped pdf** - Sep 06 2022

web may 2 2023 deped in the philippines a set of standardized tests addressing the major subjects taught in school is an example these tests are given to grade 3 where students

la deshonra del guerrero by l alberto díaz tormo - Oct 06 2022

web may 10 2023 cid representa la lealtad la mayor deshonra para una a las cuales las ubicó en el orden de la cultura díaz guerrero 1955 le permitan al lector expandir el rango de análisis para la prensión del plejo muchos lidercillos han sido formados en la escuela del arribismo y la agresión al ejército en guerrero la gente les

deshonra o la trama enrejada del cine y la política openedition - Mar 31 2022

web 6 por su parte terminada la segunda guerra mundial estados unidos adquiere el papel de gran policía del mundo su cine cambia al viejo cow boy por el nuevo detective que se mueve en un mundo de sospechas e investigaciones de causas judiciales y de muertes combinando sagazmente el policial y el melodrama como fuente de cine sobre y para

*books la deshonra del guerrero pdf download wiscons in* - Mar 11 2023

web download la deshonra del guerrero pdf full book access full book title la deshonra del guerrero by l alberto díaz tormo download full books in pdf and epub format

*la ejecutiva del psoc alertó de un complot perfectamente* - Dec 28 2021

web 6 hours ago la ejecutiva del psoc alertó de un complot perfectamente organizado de gonzález guerra barones críticos y cercanos al pp contra sánchez

deshonra wikipedia la enciclopedia libre - May 01 2022

web deshonra deshonra es una película argentina del género de drama filmada en blanco y negro dirigida por daniel tinayre sobre su propio guion escrito en colaboración con alejandro verbitsky y emilio villalba welsh que se estrenó el 3 de junio de 1952 y que tuvo como protagonistas a fanny navarro mecha ortiz tita merello jorge rigaud

la deshonra del guerrero l alberto díaz tormo bubok - Jun 14 2023

web el emperador de japon es asesinado siendo sospechoso del asesinato raiko el príncipe heredero se ve obligado a huir pasará años escondido hasta que sus decisiones le llevan hasta un grupo de extraños guerreros con quienes se preparará para enfrentarse al asesino de su padre

**la deshonra del guerrero database grovemade com** - May 13 2023

web 2 la deshonra del guerrero 2021 05 19 guides readers to a deeper understanding of their inner workings and provides the guidance they need to establish peace and tranquility in their homes neighborhoods communities and even the world in the style of a battle wizened teacher mcmanus delivers wisdom instills passion and

*la deshonra shorts dragonball youtube* - Jan 29 2022

web about press copyright contact us creators advertise developers terms privacy policy safety how youtube works test new features press copyright contact us creators

la deshonra del guerrero by l alberto díaz tormo goodreads - Aug 16 2023

web la deshonra del guerrero book read reviews from world s largest community for readers el emperador de japon es asesinado siendo sospechoso del asesina

*la deshonra del guerrero versión kindle amazon es* - Jul 15 2023

web la deshonra del guerrero ebook tormo l alberto díaz amazon es tienda kindle

**online pdf la deshonra del guerrero download the pranitas** - Jan 09 2023

web download or read book la deshonra del guerrero written by l alberto díaz tormo and published by lulu com this book was released on with total page 337 pages available in pdf epub and kindle

la deshonra del guerrero edición kindle amazon com mx - Feb 10 2023

web la deshonra del guerrero ebook tormo l alberto díaz amazon com mx tienda kindle

la deshonra del guerrero by l alberto díaz tormo darelova - Aug 04 2022

web del guerrero o bushido escapar de la deshonra redimir a sus amigos o probar su sinceridad para el bushido la espada era

el emblema de poder y valor lo que lleva en su cinturón es un símbolo de lo que lleva en su mente y en su corazón la lealtad y el honor

*la deshonra del guerrero by l alberto díaz tormo* - Sep 05 2022

web llevan hasta un grupo de extraños guerreros con quienes se preparará para enfrentarse al asesino de su padre speakings gestamp com 1 3 la deshonra del guerrero by l alberto díaz tormo

**la deshonra spanish to english translation** - Feb 27 2022

web nada puede arreglar la deshonra sufrida por el artista nothing can compensate for the disgrace suffered by the artist d shame los padres de juan consideran una deshonra para ellos que esté encarcelado juan s parents believe that his being incarcerated brings shame on them 2 stigma a

la deshonra del guerrero de lucas alberto díaz tormo - Apr 12 2023

web sep 2 2013 una intensa novela de ciencia ficción y fantasía en el japon clásico del periodo heian datos del libro autor lucas alberto díaz tormo título la deshonra del guerrero nº páginas 335 editorial bubok género ciencia ficción y fantasía lengua español isbn 9788468640143 año edición 2013 sinopsis el emperador de japon es

**la deshonra del guerrero de lucas alberto díaz tormo** - Dec 08 2022

web el emperador de japon es asesinado siendo sospechoso del asesinato raiko el príncipe heredero se ve obligado a huir pasará años escondido hasta que sus decisiones le lleven a un grupo de extraños guerreros con los que se

*la deshonra del guerrero nc tmuniverse com* - Jul 03 2022

web el libro explica cómo se vivió la guerra desde el discurso oficial militar eclesiástico y periodístico se analiza cómo intervienen estos discursos para difundir el mensaje de la guerra civilizatoria sanya y justa este libro es uno de los documentos más importantes que se han escrito sobre la sociedad chilena durante los años de la

**muerte antes de deshonrar significado incorruptible** - Jun 02 2022

web deshonra deshonra descrédito infamia ignominia significan el estado o condición de sufrir pérdida de estima y de soportar oprobio la desgracia a menudo implica humillación y a veces ostracismo enviado a casa en desgracia deshonra enfatiza la pérdida del honor que uno ha disfrutado o la pérdida de la autoestima

**la deshonra del guerrero de l alberto díaz** - Nov 07 2022

web sep 5 2013 un conflicto entre samurais y ninjas hábilmente aderezado con una poderosa historia de amor entre un príncipe exiliado y una guerrera el romance redondea un conjunto muy apropiado para los amantes de los distintos géneros que confluyen en la