

6. Pry the camshaft gear, 3, away from the thrust plate, 4, using a pry bar, 1. Use a dial indicator or feeler gauges, 2, to measure the clearance. Replace the gears if the camshaft end play exceeds the specified limits, see "Specifications Service Standards" in this section.

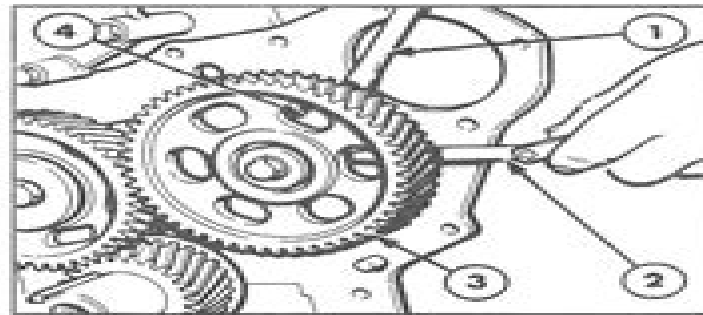


Figure 2-62

7. Remove the fuel injection pump drive gear, camshaft drive gear and adapter, and the camshaft gear. Use Tool No. FNH02134, puller, with FNH01237, adapter, 1, to remove the crankshaft gear.

NOTE: The crankshaft gear should only be removed if it shows signs of wear.

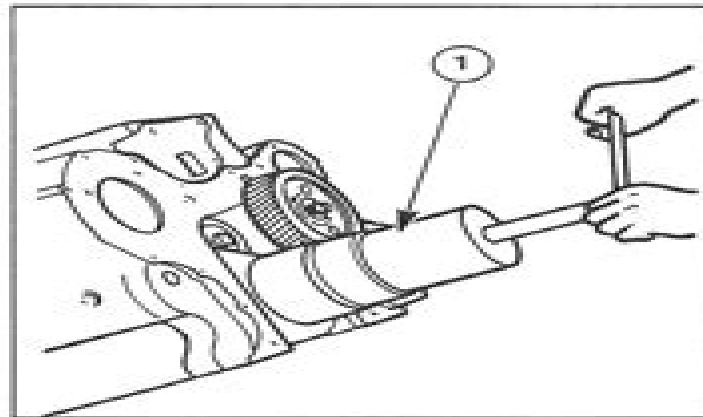


Figure 2-63

New Holland Diesel Injection Pump Timing

Padhraic Smyth



New Holland Diesel Injection Pump Timing:

Getting the books **New Holland Diesel Injection Pump Timing** now is not type of challenging means. You could not isolated going later book amassing or library or borrowing from your contacts to retrieve them. This is an utterly easy means to specifically acquire lead by on-line. This online broadcast New Holland Diesel Injection Pump Timing can be one of the options to accompany you with having other time.

It will not waste your time. put up with me, the e-book will unquestionably reveal you additional event to read. Just invest little grow old to way in this on-line proclamation **New Holland Diesel Injection Pump Timing** as with ease as evaluation them wherever you are now.

https://py.bijouxmedusa.com/results/detail/HomePages/Ces_Foundation_Course_Study_Guide.pdf

Table of Contents New Holland Diesel Injection Pump Timing

1. Understanding the eBook New Holland Diesel Injection Pump Timing
 - The Rise of Digital Reading New Holland Diesel Injection Pump Timing
 - Advantages of eBooks Over Traditional Books
2. Identifying New Holland Diesel Injection Pump Timing
 - Exploring Different Genres
 - Considering Fiction vs. Non-Fiction
 - Determining Your Reading Goals
3. Choosing the Right eBook Platform
 - Popular eBook Platforms
 - Features to Look for in a New Holland Diesel Injection Pump Timing
 - User-Friendly Interface
4. Exploring eBook Recommendations from New Holland Diesel Injection Pump Timing
 - Personalized Recommendations
 - New Holland Diesel Injection Pump Timing User Reviews and Ratings
 - New Holland Diesel Injection Pump Timing and Bestseller Lists

5. Accessing New Holland Diesel Injection Pump Timing Free and Paid eBooks
 - New Holland Diesel Injection Pump Timing Public Domain eBooks
 - New Holland Diesel Injection Pump Timing eBook Subscription Services
 - New Holland Diesel Injection Pump Timing Budget-Friendly Options
6. Navigating New Holland Diesel Injection Pump Timing eBook Formats
 - ePub, PDF, MOBI, and More
 - New Holland Diesel Injection Pump Timing Compatibility with Devices
 - New Holland Diesel Injection Pump Timing Enhanced eBook Features
7. Enhancing Your Reading Experience
 - Adjustable Fonts and Text Sizes of New Holland Diesel Injection Pump Timing
 - Highlighting and Note-Taking New Holland Diesel Injection Pump Timing
 - Interactive Elements New Holland Diesel Injection Pump Timing
8. Staying Engaged with New Holland Diesel Injection Pump Timing
 - Joining Online Reading Communities
 - Participating in Virtual Book Clubs
 - Following Authors and Publishers New Holland Diesel Injection Pump Timing
9. Balancing eBooks and Physical Books New Holland Diesel Injection Pump Timing
 - Benefits of a Digital Library
 - Creating a Diverse Reading Collection New Holland Diesel Injection Pump Timing
10. Overcoming Reading Challenges
 - Dealing with Digital Eye Strain
 - Minimizing Distractions
 - Managing Screen Time
11. Cultivating a Reading Routine New Holland Diesel Injection Pump Timing
 - Setting Reading Goals New Holland Diesel Injection Pump Timing
 - Carving Out Dedicated Reading Time
12. Sourcing Reliable Information of New Holland Diesel Injection Pump Timing
 - Fact-Checking eBook Content of New Holland Diesel Injection Pump Timing
 - Distinguishing Credible Sources
13. Promoting Lifelong Learning

- Utilizing eBooks for Skill Development
 - Exploring Educational eBooks
14. Embracing eBook Trends
- Integration of Multimedia Elements
 - Interactive and Gamified eBooks

New Holland Diesel Injection Pump Timing Introduction

In today's digital age, the availability of New Holland Diesel Injection Pump Timing books and manuals for download has revolutionized the way we access information. Gone are the days of physically flipping through pages and carrying heavy textbooks or manuals. With just a few clicks, we can now access a wealth of knowledge from the comfort of our own homes or on the go. This article will explore the advantages of New Holland Diesel Injection Pump Timing books and manuals for download, along with some popular platforms that offer these resources. One of the significant advantages of New Holland Diesel Injection Pump Timing books and manuals for download is the cost-saving aspect. Traditional books and manuals can be costly, especially if you need to purchase several of them for educational or professional purposes. By accessing New Holland Diesel Injection Pump Timing versions, you eliminate the need to spend money on physical copies. This not only saves you money but also reduces the environmental impact associated with book production and transportation. Furthermore, New Holland Diesel Injection Pump Timing books and manuals for download are incredibly convenient. With just a computer or smartphone and an internet connection, you can access a vast library of resources on any subject imaginable. Whether you're a student looking for textbooks, a professional seeking industry-specific manuals, or someone interested in self-improvement, these digital resources provide an efficient and accessible means of acquiring knowledge. Moreover, PDF books and manuals offer a range of benefits compared to other digital formats. PDF files are designed to retain their formatting regardless of the device used to open them. This ensures that the content appears exactly as intended by the author, with no loss of formatting or missing graphics. Additionally, PDF files can be easily annotated, bookmarked, and searched for specific terms, making them highly practical for studying or referencing. When it comes to accessing New Holland Diesel Injection Pump Timing books and manuals, several platforms offer an extensive collection of resources. One such platform is Project Gutenberg, a nonprofit organization that provides over 60,000 free eBooks. These books are primarily in the public domain, meaning they can be freely distributed and downloaded. Project Gutenberg offers a wide range of classic literature, making it an excellent resource for literature enthusiasts. Another popular platform for New Holland Diesel Injection Pump Timing books and manuals is Open Library. Open Library is an initiative of the Internet Archive, a non-profit organization dedicated to digitizing cultural artifacts and making them accessible to the public. Open

Library hosts millions of books, including both public domain works and contemporary titles. It also allows users to borrow digital copies of certain books for a limited period, similar to a library lending system. Additionally, many universities and educational institutions have their own digital libraries that provide free access to PDF books and manuals. These libraries often offer academic texts, research papers, and technical manuals, making them invaluable resources for students and researchers. Some notable examples include MIT OpenCourseWare, which offers free access to course materials from the Massachusetts Institute of Technology, and the Digital Public Library of America, which provides a vast collection of digitized books and historical documents. In conclusion, New Holland Diesel Injection Pump Timing books and manuals for download have transformed the way we access information. They provide a cost-effective and convenient means of acquiring knowledge, offering the ability to access a vast library of resources at our fingertips. With platforms like Project Gutenberg, Open Library, and various digital libraries offered by educational institutions, we have access to an ever-expanding collection of books and manuals. Whether for educational, professional, or personal purposes, these digital resources serve as valuable tools for continuous learning and self-improvement. So why not take advantage of the vast world of New Holland Diesel Injection Pump Timing books and manuals for download and embark on your journey of knowledge?

FAQs About New Holland Diesel Injection Pump Timing Books

What is a New Holland Diesel Injection Pump Timing PDF? A PDF (Portable Document Format) is a file format developed by Adobe that preserves the layout and formatting of a document, regardless of the software, hardware, or operating system used to view or print it. **How do I create a New Holland Diesel Injection Pump Timing PDF?** There are several ways to create a PDF: Use software like Adobe Acrobat, Microsoft Word, or Google Docs, which often have built-in PDF creation tools. Print to PDF: Many applications and operating systems have a "Print to PDF" option that allows you to save a document as a PDF file instead of printing it on paper. Online converters: There are various online tools that can convert different file types to PDF. **How do I edit a New Holland Diesel Injection Pump Timing PDF?** Editing a PDF can be done with software like Adobe Acrobat, which allows direct editing of text, images, and other elements within the PDF. Some free tools, like PDFescape or Smallpdf, also offer basic editing capabilities. **How do I convert a New Holland Diesel Injection Pump Timing PDF to another file format?** There are multiple ways to convert a PDF to another format: Use online converters like Smallpdf, Zamzar, or Adobe Acrobats export feature to convert PDFs to formats like Word, Excel, JPEG, etc. Software like Adobe Acrobat, Microsoft Word, or other PDF editors may have options to export or save PDFs in different formats. **How do I password-protect a New Holland Diesel Injection Pump Timing PDF?** Most PDF editing software allows you to add password protection. In Adobe Acrobat, for instance, you can go to "File" -> "Properties" ->

"Security" to set a password to restrict access or editing capabilities. Are there any free alternatives to Adobe Acrobat for working with PDFs? Yes, there are many free alternatives for working with PDFs, such as: LibreOffice: Offers PDF editing features. PDFsam: Allows splitting, merging, and editing PDFs. Foxit Reader: Provides basic PDF viewing and editing capabilities. How do I compress a PDF file? You can use online tools like Smallpdf, ILovePDF, or desktop software like Adobe Acrobat to compress PDF files without significant quality loss. Compression reduces the file size, making it easier to share and download. Can I fill out forms in a PDF file? Yes, most PDF viewers/editors like Adobe Acrobat, Preview (on Mac), or various online tools allow you to fill out forms in PDF files by selecting text fields and entering information. Are there any restrictions when working with PDFs? Some PDFs might have restrictions set by their creator, such as password protection, editing restrictions, or print restrictions. Breaking these restrictions might require specific software or tools, which may or may not be legal depending on the circumstances and local laws.

Find New Holland Diesel Injection Pump Timing :

ces foundation course study guide

cell regulation and reproduction answers

chapter 10 chemical quantities packet answers wapdog

ccnp routing and switching switch 300 115 official cert

cat 216b 226b 232b and 242b service

case 10 solutions computer accounting quickbooks

chapter 12 dna and rna test

cfa schweser study notes level 1documents com pdf file

chapter 1 sociology perspective theory and method

cellonics technology wikipedia

case ih engine fault codes mx 270

cellular and molecular immunology 5e cellular molecular immunology abbas

cavern of the blood zombies

~~chapter 13 food preparation crossword answer key~~

catalogue of additions made to the library of congress

New Holland Diesel Injection Pump Timing :

englishg21 a3 unit 2 memrise - Apr 11 2023

web courses languages european english englishg21 a3 unit 2 und weiter gehts welcome to memrise join millions of people who are already learning for free on memrise it s fast it s fun and it s mind bogglingly effective start learning now 88 words to learn learn these words ready to learn ready to review salmon lachs scenery landschaft

english g21 a3 unit 2 island girl flashcards quizlet - Jan 08 2023

web english g21 a3 unit 2 island girl flashcards quizlet term 1 73 huge click the card to flip definition 1 73 riesig sehr groß click the card to flip flashcards learn test

english g21 a3 unit 2 flashcards quizlet - Feb 09 2023

web english g21 a3 unit 2 flashcards quizlet huge click the card to flip riesig sehr groß click the card to flip 1 120 flashcards learn test match q chat created by

english g 21 band a3 workbook mit lösungen e workbook - Dec 27 2021

web english g 21 band a3 workbook mit lösungen e workbook audio cd hellmut schwarz amazon de bücher bücher taschenbücher neu 15 00 preisangaben inkl ust abhängig von der lieferadresse kann die ust an der kasse variieren weitere informationen lieferung für 3 4 9 september details lieferadresse wählen nur

english g 21 ausgabe a cornelsen - Oct 05 2022

web englisch weitere informationen Über das konzept informieren konzeption kompetenzen kommunikative fertigkeiten methodenkompetenz lern und arbeitstechniken study skills differenzierung zahlreiche extra angebote zum binnendifferenzierten arbeiten vorbereitung auf die sekundarstufe ii literarische texte analysieren

englisch g21 a3 unit 2 help environment harvard edu - Nov 06 2022

web englisch g21 a3 unit 2 when people should go to the books stores search instigation by shop shelf by shelf it is really problematic this is why we give the book compilations in this website it will definitely ease you to see guide englisch g21 a3 unit 2 as you such as by searching the title publisher or authors of guide you in reality want

lernkartei englisch g21 a3 unit2 card2brain ch - May 12 2023

web lernkartei englisch g21 a3 unit2 card2brain ch lernkarten

english g 21 alle audiodateien und hörtexte zu das ferienheft - Jul 02 2022

web english g 21 alle audiodateien und hörtexte zu das ferienheft audio datei und transkript band 3 7 schuljahr 1100005267 jetzt bestellen

english g 21 workbook mit audios online band 3 7 schuljahr - Jan 28 2022

web diagnose und fördern produkte english g 21 workbook mit audios online band 3 7 schuljahr inhaltsverz zugehörige

produkte anzeigen english g 21 erweiterte ausgabe d band 3 7 schuljahr workbook mit audios online aus technischen gründen steht diese funktion kurzzeitig nicht zur verfügung

englisch g21 a3 unit 2 pdf help environment harvard edu - Dec 07 2022

web english g21 a3 unit 2 what you following to read the encyclopedia britannica james louis garvin 1929 mason s manual of legislative procedure paul mason 2020 matrix analysis of structures aslam kassimali 2011 01 01 this book takes a fresh student oriented approach to teaching the material covered in the senior and first year graduate

english g 21 a3 unit 1 you ll remember quizlet - Feb 26 2022

web english g 21 a3 unit 1 you ll remember quizlet study flashcards learn write spell test play match gravity capital click card to see definition hauptstadt click

english g 21 cornelsen - Jul 14 2023

web reihen english g 21 ist die lehrwerkreihe für den englischunterricht an weiterführenden schulen mit intensivem skills training und zahlreichen angeboten zur binnendifferenzierung werden gezielt kommunikative fertigkeiten und methodenkompetenzen ausgebaut

level 3 a3 unit 2 island girl english g21 a3 bis a5 ohne - Sep 04 2022

web level 3 a3 unit 2 island girl english g21 a3 bis a5 ohne tippe memrise english g21 von a3 bis a5 alle vokabeln ohne tippen ideal zum wiederholen und wieder in erinnerung rufen um alte lücken zu schließen für die 8 und 9 klasse oder ab der 7

cornelsen english g21 a3 unit 2 flashcards quizlet - Aug 15 2023

web 1 105 huge click the card to flip definition 1 105 riesig sehr groß click the card to flip flashcards learn test match created by carolina40 teacher vocabulary for

english g21 a3 unit 2 flashcards quizlet - Mar 10 2023

web start studying english g21 a3 unit 2 learn vocabulary terms and more with flashcards games and other study tools

english g 21 ausgabe a 3 workbook mit audios online thalia - Aug 03 2022

web beschreibung english g 21 ausgabe a3 7 klasse english g 21 ausgabe a 3 workbook mit audios online 7 schuljahr jennifer seidl schulbuch taschenbuch 13 25 inkl gesetzl mwst versandkostenfrei 2 artikel liefern lassen sofort lieferbar in den warenkorb click collect verfügbarkeit in ihrer buchhandlung prüfen

english g21 a3 bis a5 ohne tippen voka memrise - Jun 13 2023

web english g21 von a3 bis a5 alle vokabeln ohne tippen ideal zum wiederholen und wieder in erinnerung rufen um alte lücken zu schließen für die 8 und 9 klasse oder ab der 7 klasse kontinuierlich zu lernen vorteil alle vokabeln bleiben im aktiven wortschatz

[level 2 new level english g21 a3 unit 1 memrise](#) - Apr 30 2022

web liebe 7 1 7 3 viel erfolg und spass beim lernen macht das beste draus und seht es als wettkampf an möge der beste die beste gewinnen lieben gruss j baumann new level

[level 13 a5 unit 2 the road ahead english g21 a3 bis a5](#) - Mar 30 2022

web english g21 von a3 bis a5 alle vokabeln ohne tippen ideal zum wiederholen und wieder in erinnerung rufen um alte lücken zu schließen für die 8 und 9 klasse oder ab der 7 klasse kontinuierlich zu lernen vorteil alle vokabeln bleiben im aktiven wortschatz a5 unit 2 the road ahead

[englisch arbeitsmaterialien english g 21 a 4teachers de](#) - Jun 01 2022

web die sus sollen sich überlegen wie ihr leben aussähe wenn sie auf hoy oder in london lebten und dabei den conditional sentence ii anwenden passend zu english g 21 a3 unit 2

İstanbul meslek hastalıkları hastanesi ministry of health - Aug 20 2022

web İstanbul meslek hastalıkları hastanesi sitemizde sizlere daha iyi hizmet verebilmek için gizliliğe uygun şekilde çerezler kullanmaktayız Çerez politikamızı inceleyebilirsiniz Çerez politikası

[civil service exam practice test updated 2023 mometrix test](#) - Jul 31 2023

web oct 29 2023 a civil service exam is used by certain job classifications to test a candidate s skills for specific positions the test is utilized at every level of government local state federal so the exam structure will differ from jurisdiction to

free online civil service exam practice quiz - Jun 29 2023

web free online civil service exam practice quiz comprehensive online success test study guide includes free practice exam with detailed answer key click on the state below where you will take your exam immediate access right now via instant download pdf format download now download now download now download now

civil service exam free practice test 2023 jobtestprep - Apr 27 2023

web list of civil service exams by location if you re looking for a list of civil service exams by location we have got you covered jobtestprep provides civil service exam preparations for various us cities including new york texas new jersey massachusetts california ohio and many more

[civil service exams 2023 free questions resources test guide](#) - May 29 2023

web jun 24 2023 the civil service exam is an essential testing tool used by government agencies at all governmental levels for job applicants applying for those civil service jobs that still require applicants to take the exam

assistt İş görüşmesi ve mülakat soruları İşkolig - Sep 01 2023

web assistt Çağrı merkezi müşteri temsilcisi mülakat deneyimi eleman net sitesinden başvuru yaptıktan 2 hafta kadar sonra cep telefonuma mesaj atarak ertesi gün için mülakata çağırdılar 5 dakika süren ve bir paragraf yazının yazılması gereken bir

klavye testi yapıldı bu kolay bir test idi noktalama işaretlerine dikkat
[nha ccma ccma practice tests test prep by exam edge](#) - Jul 19 2022

web what score do i need to pass the nha certified clinical medical assistant test to pass the nha certified clinical medical assistant test you need a score of 390 the range of possible scores is 200 to 500 how do i know the practice tests are reflective of the actual nha certified clinical medical assistant test

[your ultimate guide to nys civil service exams 2023](#) - Sep 20 2022

web nys civil service exam schedule generally exams are held every one to four years but some are held continuously below you ll find dates for the upcoming nys civil service exams in the biggest new york state counties
[new york state department of civil service](#) - Jun 17 2022

web new york state hiring for emergency limited placement help program to help agencies fill critical positions such as critical direct care and health and safety positions the department of civil service has developed the help program to streamline the appointment process allowing state agencies to hire diverse qualified permanent

civil service human resources suny upstate - Feb 11 2022

web please read each announcement for specific exam date and application deadline information for more information regarding any civil service exam please contact christine knappen 315 464 4921 knappenc upstate edu yesenia medina 315 464 4962 medinay upstate edu melissa acker 315 464 4931 ackerm upstate edu

medical assistant practice exam updated 2024 tests com - May 17 2022

web medical assistant practice exam take this free practice test to see what types of questions appear on a medical assistant certification exam the three most prevalent certifications for medical assistant are offered by the american association of medical assistants aama the american medical technologists amt and the national

[medicalassistantcivilservicetest 2023 smcapproved](#) - Jan 25 2023

web medical assistant exam prep offers all the knowledge you need to pass the exam that we guarantee it after studying with the book you ll score higher on your medical assistant exam or you ll get your money back comprehensive review review of all tested subjects for the certified medical assistant cma and registered medical assistant rma

[civil service test prep csea afsme](#) - Oct 02 2023

web prepare for your civil service examination with free civil service test preparation booklets online courses and civil service test preparation workshops e search for preparation materials for your civil service exam

[civil service exam process nyc health hospitals](#) - Dec 24 2022

web visit dcas civil service exam information to view notices of examination noe and scheduled exams or to apply for an exam please note that exams for nyc health hospitals titles will include hhc in the title for example carpenter hhc

[open competitive exams for anyone department of citywide](#) - Mar 15 2022

web open competitive exams for anyone below is the list of competitive civil service exams available to anyone who meets the minimum qualification requirements title of exam

[istanbul klinik asistanı İş İlanı 8 eylül 2023 indeed com](#) - Feb 23 2023

web istanbul konumundaki 75 açık klinik asistanı iş ilanı dünyanın en büyük iş sitesi indeed com adresinde

[how to pass the civil service exam thebestschools org](#) - Nov 22 2022

web may 23 2023 the civil service exam is an exam that tests people applying for specific civil service jobs the point of the test is to prove applicants have the appropriate skills and are eligible for a specific position the exam varies

[free civil service test practice 2023 prep guide by iprep](#) - Mar 27 2023

web jan 28 2020 free civil service exam practice test here is a collection of free civil service sample questions to help you prepare for your civil service exam arithmetic comprehension sample questions question 1 of 2

[know the medical test procedures for civil services examination](#) - Apr 15 2022

web the last stage interview hosts a few thousand candidates who have cleared the first two stages prelims and mains these aspirants have to undergo a medical test procedure which is a mandatory process of the ias exam this article will introduce you to the medical test procedures for upsc

free civil service clerical ability exam practice practice4me - Oct 22 2022

web with the help of free online civil service clerical exam study guides as well as free online civil service clerical practice tests with sample questions and answers made available by assessment centers you can acquire comfort during the exam by practicing before you take the actual civil service clerical test

[28 knit tabard ideas knitting inspiration knitwear knitting](#) - Mar 02 2022

web jan 6 2022 explore alex smith orr s board knit tabard on pinterest see more ideas about knitting inspiration knitwear knitting pinterest today 2016 spin expo swatches pattern knitwear knitpattern knitfashion pattern knit spinexpo paliqu ltd knit tabard warm outfits fall winter outfits casual fall outfits big knit

knitting patterns tabard etsy - Dec 31 2021

web knitting pattern summer tabard intermediate knitting pattern top of the bill tabard sirdar festival collection sizes 6 28 us 2 24

[tabard wikipedia](#) - Feb 01 2022

web cultural allusions a tabard was the inn sign of the tabard inn in southwark london established in 1307 and remembered as the starting point for geoffrey chaucer s pilgrims on their journey to canterbury in the canterbury tales dating from about the 1380s in e c bentley s short story the genuine tabard published in his collection trent intervenes

knitting patterns for women tabard etsy - May 04 2022

web pdf vintage womens ladies tabard knitting pattern pixie hood tie belt boho 1970s mod hippy rustic festival aran medieval country folk 893 3 00 ladies tabard or girls poncho cabled design summer chic for women and

tabard knitted fashion vest free knitting pattern - Jul 18 2023

web layer up in style with this tabard knitted fashion vest jazz up your winter repertoire and put on this tabard knitted fashion vest in fact it s perfect for both styling and layering in addition the pattern is ideal for advanced intermediate knitters to work on

[knitting pattern for ladies tabard etsy uk](#) - Oct 29 2021

web knitting pattern for ladies tabard 48 relevant results price shops anywhere all sellers vintage 1970 s ladyship crochet pattern 4748 ladies teens tunic or tabard with side tie detail bust 32 38 703 3 00 girls ladies long cable gilet xs s m l xl xxl knitting pattern 829 3 99

ravelry knit tabard pattern by diane betts - Jul 06 2022

web apr 12 2015 materials approximately 1 5 pounds of white lincoln lamb s wool and 0 5 pound of black cheviot wool white singles spun approximately 1160 yards per pound z twist black singles spun approximately 1140 yards per pound z twist ply form a 2 ply yarn from white singles approximately 580 yards per pound s twist

easy to follow tabards knitted in forest aran knitting patterns - Jun 17 2023

web tabards knitted in forest aran for every king cole pattern you buy a donation will be made to the pink ribbon foundation view other included designs click here to find a stockist forest aran is made from 100 recycled materials learn more about the recycling process here size 86 112 cm 34 44 in pattern contents

ravelry modern tabard pattern by jared flood - Sep 20 2023

web feb 2 2023 textured video tutorial worked flat search patterns with these attributes this pattern is available for 16 00 usd buy it now or visit pattern website save 1 when you purchase this pattern on brooklyntweed com where you ll find our knitting resource pages video tutorials and pattern support portal

ladies tabard knitting pattern outback yarns - Mar 14 2023

web ladies tabard knitting pattern in using sirdar hayfield bonus aran with wool pattern number 10319 digital download great range of sirdar digital knitting patterns available online here at outback yarns a uk stockist

broadgate tabard women s knitting pattern rowan - Oct 09 2022

web this versatile sleeveless tabard is the perfect solution for staying warm while layering with a coat designed by georgia farrell using alpaca soft dk it features a textural diamond and check pattern and ribbed turtleneck

amazon co uk tabard knitting patterns king cole - Apr 03 2022

web king cole ladies dk knitting pattern ribbed jacket easy cable sweater 5788 multicoloured 32 50 ins 53

staghorn fern tabard knitting pattern jewelspan aran sirdar - Sep 08 2022

web perfect for giving a completely new look to all your favourite aran weight knitting and crochet patterns and adding colourful warm layers and accessories to your wardrobe our new self striping sirdar jewelspan yarn gives incredible definition to the cables featured front and back in this intermediate knitting pattern

aran tabard knitted with fashion aran king cole - Nov 29 2021

web aran tabard knitted with fashion aran view other included designs click here to find a stockist

modern tabard collage customizable knitting pattern by - Feb 13 2023

web from vest to full length dress modern tabard is the elevated layering piece your closet s been craving this illustrated workbook from brooklyn tweed s collage series opens the door to creativity and customization empowering you to become your own favorite designer

knitting patterns for women tabard etsy uk - Jan 12 2023

web check out our knitting patterns for women tabard selection for the very best in unique or custom handmade pieces from our shops

free knitting pattern wool ease tabard vest accentuate - Dec 11 2022

web free knitting pattern lion brand wool ease tabard vest pattern number 80398ad vests are perfect for winter and this gorgeous tunic features a fashionable shawl collar

tabard knitting patterns etsy uk - Apr 15 2023

web here is a selection of four star and five star reviews from customers who were delighted with the products they found in this category check out our tabard knitting patterns selection for the very best in unique or custom handmade pieces from our shops

tabard vest free knitting pattern crochet patterns knit - Jun 05 2022

web tabard vest knit lion brand yarn the tabard vest is a knit poncho pattern made with medium weight yarn that has an advanced level of difficulty please note that the colors shown below may not match the original pattern colors due to being out of stock discontinued etc

tabard knitting patterns etsy - May 16 2023

web tabard knitting patterns 1 60 of 128 results price shipping all sellers ladies tabard knitting pattern pdf womens chunky tunic vintage 70s 26 36 inch chunky bulky 12ply instant download 565 1 85 pdf knit pattern download for the surprisingly easy wavy lace tabard 600 3 50

knit tabard pattern etsy uk - Nov 10 2022

web knit tabard pattern 74 relevant results price shops anywhere all sellers girls ladies long cable gilet xs s m l xl xxl knitting pattern 851 3 99 tabbard hat wrap knitting pattern james c brett pattern chunky knitting pattern bulky poncho pattern beret hat pattern knitting supplies 524 2 99

knit tabard pattern etsy - Aug 07 2022

web check out our knit tabard pattern selection for the very best in unique or custom handmade pieces from our kits how to shops

easy to follow tabards knitted in majestic dk knitting - Aug 19 2023

web tabards knitted in majestic dk for every king cole pattern you buy a donation will be made to the pink ribbon foundation view other included designs click here to find a stockist size 56 76cm 22 30cm pattern contents yarns that