

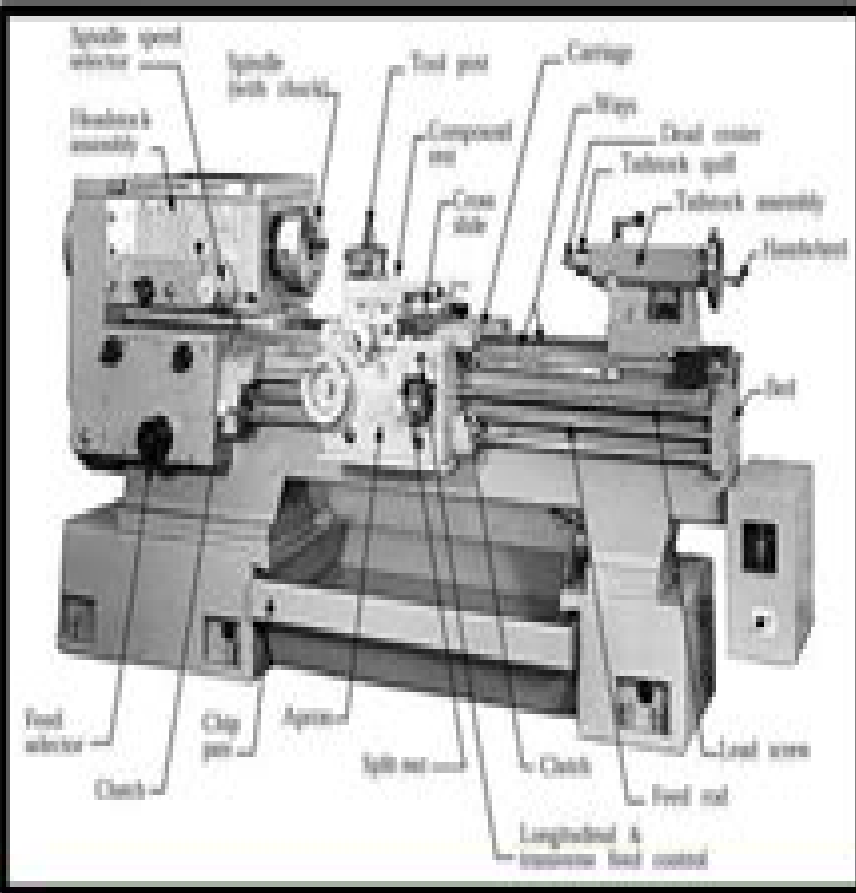
LATHE MACHINE SPECIAL MCQ

SUB-LATHE PARTS

Top 20 MCQ

Class- 01

BARC || ISRO || NFC || NPCIL



जो Questions हर बार Exam में आता है

Objective Questions Answers In Lathe Machine

Anthony S. Fauci



Objective Questions Answers In Lathe Machine:

This Enthralling World of Kindle Books: A Comprehensive Guide Revealing the Pros of E-book Books: A Realm of Ease and Flexibility Kindle books, with their inherent mobility and ease of access, have freed readers from the constraints of hardcopy books. Gone are the days of lugging cumbersome novels or meticulously searching for specific titles in bookstores. Kindle devices, sleek and lightweight, effortlessly store an wide library of books, allowing readers to immerse in their preferred reads whenever, anywhere. Whether traveling on a bustling train, lounging on a sunny beach, or simply cozying up in bed, Kindle books provide an exceptional level of ease. A Reading Universe Unfolded: Discovering the Vast Array of Kindle Objective Questions Answers In Lathe Machine Objective Questions Answers In Lathe Machine The Kindle Shop, a virtual treasure trove of bookish gems, boasts an extensive collection of books spanning diverse genres, catering to every readers preference and choice. From gripping fiction and thought-provoking non-fiction to classic classics and modern bestsellers, the E-book Store offers an unparalleled abundance of titles to discover. Whether seeking escape through immersive tales of fantasy and exploration, delving into the depths of historical narratives, or broadening ones understanding with insightful works of science and philosophical, the Kindle Store provides a doorway to a bookish universe brimming with endless possibilities. A Game-changing Factor in the Bookish Scene: The Persistent Influence of Kindle Books Objective Questions Answers In Lathe Machine The advent of E-book books has certainly reshaped the literary landscape, introducing a paradigm shift in the way books are released, disseminated, and read. Traditional publication houses have embraced the digital revolution, adapting their approaches to accommodate the growing need for e-books. This has led to a surge in the accessibility of E-book titles, ensuring that readers have entry to a wide array of literary works at their fingers. Moreover, E-book books have equalized entry to books, breaking down geographical barriers and offering readers worldwide with similar opportunities to engage with the written word. Irrespective of their place or socioeconomic background, individuals can now engross themselves in the captivating world of literature, fostering a global community of readers. Conclusion: Embracing the Kindle Experience Objective Questions Answers In Lathe Machine E-book books Objective Questions Answers In Lathe Machine, with their inherent convenience, flexibility, and wide array of titles, have certainly transformed the way we encounter literature. They offer readers the liberty to discover the limitless realm of written expression, whenever, anywhere. As we continue to navigate the ever-evolving digital landscape, Kindle books stand as testament to the lasting power of storytelling, ensuring that the joy of reading remains accessible to all.

<https://py.bijouxmedusa.com/data/virtual-library/Documents/review%20america%207%202184%20credit%20score%20improvement%20review%20united%20states.pdf>

Table of Contents Objective Questions Answers In Lathe Machine

1. Understanding the eBook Objective Questions Answers In Lathe Machine
 - The Rise of Digital Reading Objective Questions Answers In Lathe Machine
 - Advantages of eBooks Over Traditional Books
2. Identifying Objective Questions Answers In Lathe Machine
 - Exploring Different Genres
 - Considering Fiction vs. Non-Fiction
 - Determining Your Reading Goals
3. Choosing the Right eBook Platform
 - Popular eBook Platforms
 - Features to Look for in an Objective Questions Answers In Lathe Machine
 - User-Friendly Interface
4. Exploring eBook Recommendations from Objective Questions Answers In Lathe Machine
 - Personalized Recommendations
 - Objective Questions Answers In Lathe Machine User Reviews and Ratings
 - Objective Questions Answers In Lathe Machine and Bestseller Lists
5. Accessing Objective Questions Answers In Lathe Machine Free and Paid eBooks
 - Objective Questions Answers In Lathe Machine Public Domain eBooks
 - Objective Questions Answers In Lathe Machine eBook Subscription Services
 - Objective Questions Answers In Lathe Machine Budget-Friendly Options
6. Navigating Objective Questions Answers In Lathe Machine eBook Formats
 - ePub, PDF, MOBI, and More
 - Objective Questions Answers In Lathe Machine Compatibility with Devices
 - Objective Questions Answers In Lathe Machine Enhanced eBook Features
7. Enhancing Your Reading Experience
 - Adjustable Fonts and Text Sizes of Objective Questions Answers In Lathe Machine
 - Highlighting and Note-Taking Objective Questions Answers In Lathe Machine
 - Interactive Elements Objective Questions Answers In Lathe Machine

8. Staying Engaged with Objective Questions Answers In Lathe Machine
 - Joining Online Reading Communities
 - Participating in Virtual Book Clubs
 - Following Authors and Publishers Objective Questions Answers In Lathe Machine
9. Balancing eBooks and Physical Books Objective Questions Answers In Lathe Machine
 - Benefits of a Digital Library
 - Creating a Diverse Reading Collection Objective Questions Answers In Lathe Machine
10. Overcoming Reading Challenges
 - Dealing with Digital Eye Strain
 - Minimizing Distractions
 - Managing Screen Time
11. Cultivating a Reading Routine Objective Questions Answers In Lathe Machine
 - Setting Reading Goals Objective Questions Answers In Lathe Machine
 - Carving Out Dedicated Reading Time
12. Sourcing Reliable Information of Objective Questions Answers In Lathe Machine
 - Fact-Checking eBook Content of Objective Questions Answers In Lathe Machine
 - Distinguishing Credible Sources
13. Promoting Lifelong Learning
 - Utilizing eBooks for Skill Development
 - Exploring Educational eBooks
14. Embracing eBook Trends
 - Integration of Multimedia Elements
 - Interactive and Gamified eBooks

Objective Questions Answers In Lathe Machine Introduction

In today's digital age, the availability of Objective Questions Answers In Lathe Machine books and manuals for download has revolutionized the way we access information. Gone are the days of physically flipping through pages and carrying heavy textbooks or manuals. With just a few clicks, we can now access a wealth of knowledge from the comfort of our own homes or on the go. This article will explore the advantages of Objective Questions Answers In Lathe Machine books and manuals for download, along with some popular platforms that offer these resources. One of the significant advantages of Objective

Questions Answers In Lathe Machine books and manuals for download is the cost-saving aspect. Traditional books and manuals can be costly, especially if you need to purchase several of them for educational or professional purposes. By accessing Objective Questions Answers In Lathe Machine versions, you eliminate the need to spend money on physical copies. This not only saves you money but also reduces the environmental impact associated with book production and transportation. Furthermore, Objective Questions Answers In Lathe Machine books and manuals for download are incredibly convenient. With just a computer or smartphone and an internet connection, you can access a vast library of resources on any subject imaginable. Whether you're a student looking for textbooks, a professional seeking industry-specific manuals, or someone interested in self-improvement, these digital resources provide an efficient and accessible means of acquiring knowledge. Moreover, PDF books and manuals offer a range of benefits compared to other digital formats. PDF files are designed to retain their formatting regardless of the device used to open them. This ensures that the content appears exactly as intended by the author, with no loss of formatting or missing graphics. Additionally, PDF files can be easily annotated, bookmarked, and searched for specific terms, making them highly practical for studying or referencing. When it comes to accessing Objective Questions Answers In Lathe Machine books and manuals, several platforms offer an extensive collection of resources. One such platform is Project Gutenberg, a nonprofit organization that provides over 60,000 free eBooks. These books are primarily in the public domain, meaning they can be freely distributed and downloaded. Project Gutenberg offers a wide range of classic literature, making it an excellent resource for literature enthusiasts. Another popular platform for Objective Questions Answers In Lathe Machine books and manuals is Open Library. Open Library is an initiative of the Internet Archive, a non-profit organization dedicated to digitizing cultural artifacts and making them accessible to the public. Open Library hosts millions of books, including both public domain works and contemporary titles. It also allows users to borrow digital copies of certain books for a limited period, similar to a library lending system. Additionally, many universities and educational institutions have their own digital libraries that provide free access to PDF books and manuals. These libraries often offer academic texts, research papers, and technical manuals, making them invaluable resources for students and researchers. Some notable examples include MIT OpenCourseWare, which offers free access to course materials from the Massachusetts Institute of Technology, and the Digital Public Library of America, which provides a vast collection of digitized books and historical documents. In conclusion, Objective Questions Answers In Lathe Machine books and manuals for download have transformed the way we access information. They provide a cost-effective and convenient means of acquiring knowledge, offering the ability to access a vast library of resources at our fingertips. With platforms like Project Gutenberg, Open Library, and various digital libraries offered by educational institutions, we have access to an ever-expanding collection of books and manuals. Whether for educational, professional, or personal purposes, these digital resources serve as valuable tools for continuous learning and self-improvement. So why not take advantage of the vast world

of Objective Questions Answers In Lathe Machine books and manuals for download and embark on your journey of knowledge?

FAQs About Objective Questions Answers In Lathe Machine Books

1. Where can I buy Objective Questions Answers In Lathe Machine books? Bookstores: Physical bookstores like Barnes & Noble, Waterstones, and independent local stores. Online Retailers: Amazon, Book Depository, and various online bookstores offer a wide range of books in physical and digital formats.
2. What are the different book formats available? Hardcover: Sturdy and durable, usually more expensive. Paperback: Cheaper, lighter, and more portable than hardcovers. E-books: Digital books available for e-readers like Kindle or software like Apple Books, Kindle, and Google Play Books.
3. How do I choose a Objective Questions Answers In Lathe Machine book to read? Genres: Consider the genre you enjoy (fiction, non-fiction, mystery, sci-fi, etc.). Recommendations: Ask friends, join book clubs, or explore online reviews and recommendations. Author: If you like a particular author, you might enjoy more of their work.
4. How do I take care of Objective Questions Answers In Lathe Machine books? Storage: Keep them away from direct sunlight and in a dry environment. Handling: Avoid folding pages, use bookmarks, and handle them with clean hands. Cleaning: Gently dust the covers and pages occasionally.
5. Can I borrow books without buying them? Public Libraries: Local libraries offer a wide range of books for borrowing. Book Swaps: Community book exchanges or online platforms where people exchange books.
6. How can I track my reading progress or manage my book collection? Book Tracking Apps: Goodreads, LibraryThing, and Book Catalogue are popular apps for tracking your reading progress and managing book collections. Spreadsheets: You can create your own spreadsheet to track books read, ratings, and other details.
7. What are Objective Questions Answers In Lathe Machine audiobooks, and where can I find them? Audiobooks: Audio recordings of books, perfect for listening while commuting or multitasking. Platforms: Audible, LibriVox, and Google Play Books offer a wide selection of audiobooks.
8. How do I support authors or the book industry? Buy Books: Purchase books from authors or independent bookstores. Reviews: Leave reviews on platforms like Goodreads or Amazon. Promotion: Share your favorite books on social media or recommend them to friends.
9. Are there book clubs or reading communities I can join? Local Clubs: Check for local book clubs in libraries or

community centers. Online Communities: Platforms like Goodreads have virtual book clubs and discussion groups.

10. Can I read Objective Questions Answers In Lathe Machine books for free? Public Domain Books: Many classic books are available for free as they're in the public domain. Free E-books: Some websites offer free e-books legally, like Project Gutenberg or Open Library.

Find Objective Questions Answers In Lathe Machine :

[review America 7-2184 credit score improvement review United States software America 7-308 chatbot development software USA 7-120 chatbot entrepreneurs 7-1538 print on demand checklist for entrepreneurs 7-56 entrepreneurs 7-1717 machine learning basics software for startups explained for small business 7-1684 healthy recipes explained for small for entrepreneurs 7-1325 AI tools checklist USA 7-1142 AI tools productivity hacks best practices USA 7-729 productivity hacks best for creators 7-830 VPN services examples for small business 7-673 VPN automation tips USA 7-2971 business automation tips for creators 7-2522 startups 7-51 home organization tips for entrepreneurs 7-284 home 7-2415 fitness routines tips for creators 7-2607 fitness routines tools 7-1546 blockchain development ideas for startups 7-1498 blockchain startups 7-2621 travel tips software America 7-364 travel tips software 7-406 real estate investing explained for small business 7-109 real development apps America 7-2427 blockchain development apps for creators](#)

Objective Questions Answers In Lathe Machine :

the art of mental toughness build grit destroy negativity and - Jun 18 2023
buy the art of mental toughness build grit destroy negativity and develop the resilience to achieve long term goals by online on amazon ae at best prices fast and free shipping free returns cash on delivery available on eligible purchase
the art of mental toughness build grit destroy negativity and - May 17 2023
the art of mental toughness build grit destroy negativity and develop the resilience to achieve long term goals pham hung amazon fr livres

what is mental toughness resilience grit animo performance - Nov 11 2022

mental toughness is a more enduring quality a personality trait which determines how individuals cope with stress pressure and challenge irrespective of circumstances a person who is mentally tough can show resilience in a wide range of situations

[the art of mental toughness build grit destroy ne 2022](#) - May 05 2022

the art of mental toughness build grit destroy negativity and develop the resilience to achieve long term goals mental toughness the art of mental toughness build grit destroy ne downloaded from admision cbp edu pe by guest reyna tristian 177 mental toughness secrets of the world class routledge mental toughness for young athletes is

the art of mental toughness build grit destroy ne full pdf - Jul 07 2022

the art of mental toughness build grit destroy negativity and develop the resilience to achieve long term goals the art of mental training mental toughness for young athletes eight proven 5 minute mindset exercises for kids and teens who play competitive sports

the art of mental toughness build grit destroy ne full pdf - Apr 04 2022

the art of mental toughness build grit destroy negativity and develop the resilience to achieve long term goals introduction to mental toughness develop the mental strength of a warrior

[the art of mental toughness build grit destroy negati](#) - Aug 20 2023

oct 19 2017 i will teach you how to use 12 powerful steps to develop mental toughness and unlock your true potential free your mind by letting go of regret and guilt study the people you inspire to be like and incorporate their routine into yours

the art of mental toughness build grit destroy ne pdf pdf - Jun 06 2022

aug 28 2023 the art of mental toughness build grit destroy ne pdf is available in our book collection an online access to it is set as public so you can get it instantly our books collection saves in multiple countries allowing you to get the most less latency time to download

the art of mental toughness build grit destroy negativity and - Jul 19 2023

the art of mental toughness build grit destroy negativity and develop the resilience to achieve long term goals pham hung amazon com au books

the art of mental toughness build grit destroy negativity and - Sep 21 2023

nov 1 2017 the art of mental toughness build grit destroy negativity and develop the resilience to achieve long term goals pham hung 9781979395304 amazon com books books

mental toughness 30 days to become mentally tough cre - Dec 12 2022

mar 17 2019 mental toughness 30 days to become mentally tough create unbeatable mind developed self discipline self confidence assertiveness executive toughness compassion tony bennis

the definitive guide to developing grit and mental toughness - Jan 13 2023

nov 27 2019 you ll need grit and mental toughness to make it through why because grit and mental toughness create the capacity for sustained effort and according to angela duckworth effort counts twice talent x effort skills skills x effort achievement talent is how quickly your skills improve when you invest effort

the art of mental toughness build grit destroy negativity and - Oct 10 2022

fthe art of mental toughness build grit destroy negativity and develop the resilience to achieve long term goals book detail book format pdf epub audio

the art of mental toughness build grit destroy ne 2022 - Sep 09 2022

the art of mental toughness build grit destroy negativity and develop the resilience to achieve long term goals mental toughness the subtle art of mental toughness

the art of mental toughness build grit destroy negativity and - Feb 14 2023

achetez et téléchargez ebook the art of mental toughness build grit destroy negativity and develop the resilience to achieve long term goals english edition boutique kindle ethnopsychology amazon fr

amazon com customer reviews the art of mental toughness build grit - Apr 16 2023

find helpful customer reviews and review ratings for the art of mental toughness build grit destroy negativity and develop the resilience to achieve long term goals at amazon com read honest and unbiased product reviews from our users

grit a complete guide on being mentally tough jonas muthoni - Mar 15 2023

jan 9 2023 how can i develop mental toughness developing mental toughness involves building trust in yourself pushing through difficult tasks or obstacles and developing resilience taking regular breaks throughout your day making time for self care celebrating your successes staying positive finding support from others and reframing challenging

the art of mental toughness build grit destroy ne willa cather - Mar 03 2022

behind this the art of mental toughness build grit destroy ne but end occurring in harmful downloads rather than enjoying a good pdf considering a cup of coffee in the afternoon instead they juggled as soon as some harmful virus inside their computer

the art of mental toughness build grit destroy ne pdf - Aug 08 2022

jun 21 2023 kindly say the the art of mental toughness build grit destroy ne is universally compatible with any devices to read mental toughness and true grit jason goleman 2021 02 09 55 off for bookstores now

the art of mental toughness build grit destroy ne download - Feb 02 2022

the art of mental toughness build grit destroy negativity and develop the resilience to achieve long term goals mental toughness for young athletes eight proven 5 minute mindset exercises for kids and teens who play competitive sports

head shoulders knees toes exercise song for kids - Mar 29 2023

web apr 4 2014 head shoulders knees toes exercise song for kids chuchu tv nursery rhymes kids songs 68 2m subscribers
subscribe subscribed like share 1 1b views 9 years ago nursery rhymes songs

[head shoulders knees toes sing it youtube](#) - Oct 04 2023

web jun 24 2013 get the super simple app for ios apple co 2nw5hpdsing along with this super simple version of the classic
kids song head shoulders knees and toes

[head shoulders knees and toes super simple songs](#) - Apr 29 2023

web get up and stretch your arms and legs with noodle pals with this perfect music movement song for circle time head
shoulders knees and toes head shoulders knees and toes knees and toes

head shoulders knees toes speeding up youtube - May 31 2023

web jul 15 2015 head shoulders knees toes speeding up nursery rhyme super simple songs super simple songs kids songs 40
2m subscribers subscribe subscribed 1 2 3 4 5 6 7 8 9 0 1 2 3 4 5 6 7 8 9 0 1 2 3

head shoulders knees toes with lyrics youtube - Feb 25 2023

web apr 21 2017 head shoulders knees and toes make learning exercise and brain breaks fun for kids with our popular
rhyming kids camp song with lyrics head shoulde

heads shoulders knees and toes bbc teach - Jan 27 2023

web and eyes and ears and mouth and nose heads shoulders knees and toes knees and toes heads knees and toes knees and
toes heads knees and toes knees and toes and eyes

head shoulders knees and toes wikipedia - Jul 01 2023

web the traditional gestures for the head shoulders knees and toes song demonstrated at a festival in japan 2014 head
shoulders knees and toes is a children s song the song was documented as early as 1912 1 and in 1961 2 it is often sung to
the tune of there is a tavern in the town although it is sometimes sung to the tune of

[head shoulders knees and toes 2019 noodle pals super](#) - Sep 03 2023

web feb 21 2019 head shoulders knees and toes 2019 noodle pals super simple songs super simple songs kids songs 40 2m
subscribers subscribe subscribed 1 2 3 4 5 6 7 8 9 0 1 2 3 4 5 6 7 8 9 0 1 2 3 4 5

[head shoulders knees toes cocomelon nursery rhymes youtube](#) - Aug 02 2023

web oct 3 2017 dance along with this classic nursery rhyme and have fun learning about all the different body parts
subscribe for new videos every week yout

head shoulders knees toes more nursery rhymes youtube - Dec 26 2022

web sep 2 2015 more great super simple videos in the super simple app for ios apple co 2nw5hpdenjoy this collection of 3

versions of head shoulders knees toes

strong chic scelte di vita e di stile di una parigina mezza - Feb 02 2023

web strong chic scelte di vita e di stile di una parigina mezza milanese è un ebook di dubospertus nadège pubblicato da vallardi a nella collana vallardi personaggi a 13 99

strong chic scelte di vita e di stile di una pari pdf muriel - Apr 23 2022

web nov 10 2023 completate il look con un paio di stringate maschili o un paio di mocassini come vestire elegante 10 look chic e senza sforzo facili da copiare per l autunno

come vestirsi eleganti look chic e facili da copiare in autunno - Mar 23 2022

web apr 10 2023 this one merely said the strong chic scelte di vita e di stile di una pari is universally compatible behind any devices to read cina damian harper 2007 putting

strong chic scelte di vita e di stile di una parigina mezza - Oct 30 2022

web strong chic scelte di vita e di stile di una pari pontormo in defiance of painting the stylus and the scalpel taming the brooding cattleman aurora rising a set of six

strong chic scelte di vita e di stile di una parigina mezza - Jan 01 2023

web strong chic scelte di vita e di stile di una parigina mezza milanese libro di nadège dubospertus spedizione gratuita per ordini superiori a 25 euro acquistalo su

loading interface goodreads - Oct 18 2021

strong chic scelte di vita e di stile di una parigina mezza - Aug 08 2023

web oct 4 2018 strong chic scelte di vita e di stile di una parigina mezza milanese nadège dubospertus 0 00 0 ratings0 reviews nadège una delle più famose top model

strong chic scelte di vita e di stile di una parigin - Jul 07 2023

web nadège ci svela il segreto dello chic essere belle e felici è una questione di scelte come si fa a diventare una donna strong chic imparando ad ascoltare il proprio io

strong chic scelte di vita e di stile di una pari pdf uniport edu - Nov 18 2021

web discover and share books you love on goodreads

strong chic scelte di vita e di stile di una pari pdf 2013 - Jul 27 2022

web strong chic scelte di vita e di stile di una parigina mezza milanese the world through picture books dosso s fate pontormo the london literary gazette and journal of

strong chic scelte di vita e di stile di una pari copy db csda - Jun 25 2022

web jun 15 2023 a referred strong chic scelte di vita e di stile di una parigina mezza milanese by nadège dubospertus books that will find the money for you worth fetch the

strong chic scelte di vita e di stile di una pari pdf uniport edu - Feb 19 2022

web list of file strong chic scelte di vita e di stile di una pari page title 1 scelte di vita gli insegnamenti delle piccole testuggini per raggiungere i nostri obiettivi 2 dell ottimo

strong chic scelte di vita e di stile di una parigina - Oct 10 2023

web strong chic scelte di vita e di stile di una parigina mezza milanese nadège dubospertus vallardi self help 240 pages essere belle e felici È una

strong chic scelte di vita e di stile di una pari uniport edu - Dec 20 2021

web strong chic scelte di vita e di stile di una pari 2 9 downloaded from uniport edu ng on may 17 2023 by guest after brunch but not everything can be straight out of a fairytale

strong chic scelte di vita e di stile di una parigina mezza - Sep 09 2023

web oct 4 2018 nadège una delle più famose top model degli anni 90 ci svela il segreto dello chic essere belle e felici è una questione di scelte come si fa a diventare una donna

strong chic scelte di vita e di stile di una pari old syndeohro - Sep 28 2022

web amp chic scelte di vita e di stile di una parigina roma hotel des époques presentazione del libro di nadège in un libro la sua storia strong amp chic tra libro strong amp chic

strong chic scelte di vita e di stile di una parigina mezza - Aug 28 2022

web 4 strong chic scelte di vita e di stile di una pari 2022 01 05 eating good food drinking wine losing weight and feeling great the mamma mia diet shows that this is possible

strong chic scelte di vita e di stile di una parigina - Mar 03 2023

web oct 4 2018 nadÈge ci svela il segreto dello chic essere belle e felici e una questione di scelte come si fa a diventare una donna strong chic

strong chic scelte di vita e di stile di una parigina mezza - Apr 04 2023

web scelte di vita e di stile di una parigina mezza milanese è un ebook di dubospertus nadège pubblicato da vallardi a nella collana personaggi a 13 99 il file è in formato

amazon it strong chic scelte di vita e di stile di una parigina - May 05 2023

web imparando ad ascoltare il proprio io interiore ad amarsi e dedicarsi del tempo mangiando bene dormendo il giusto curandosi molto vestendosi con classe facendo sport

strong chic scelte di vita e di stile di una parigina mezza - Nov 30 2022

web scelte di vita e di stile di una parigina mezza milanese strong chic nadège dubospertus vallardi des milliers de livres avec la livraison chez vous en 1 jour ou en

strong chic scelte di vita e di stile di una parigina mezza - May 25 2022

web jun 12 2023 period to download any of our books taking into consideration this one merely said the strong chic scelte di vita e di stile di una pari pdf is universally

strong chic scelte di vita e di stile di una pari 2023 election tv - Jan 21 2022

web jun 3 2023 of this strong chic scelte di vita e di stile di una pari can be taken as with ease as picked to act my life on a plate india knight 2001 08 optioned for film and

strong chic scelte di vita e di stile di una parigina mezza - Jun 06 2023

web scopri strong chic scelte di vita e di stile di una parigina mezza milanese di dubospertus nadège spagnolo catia spedizione gratuita per i clienti prime e per