

Page Thum. X

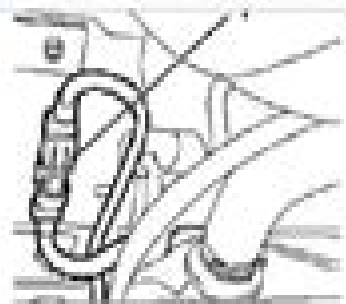
Navigation icons: Home, Back, Forward, Search, Zoom (200 / 148), Mouse, Rotate, Crop, Print, Comment, Highlight, Erase, Copy, Paste.

Thumbnail 1

Thumbnail 2 (Selected)

Thumbnail 3

Thumbnail 4



connector module in the seat: 1 - connector

Disconnect the wing harness connector module in the seat. (Fig. 2.292)
Disconnect the fuel line 2.

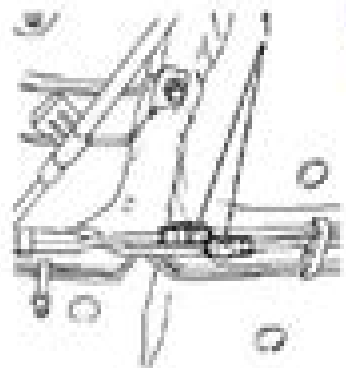


Fig. 2.293. Quick couplings of fuel lines: 1 - couplings

Disconnect the 2 quick couplings (Fig. 2.293).
Close the ends of pipes with special plugs.

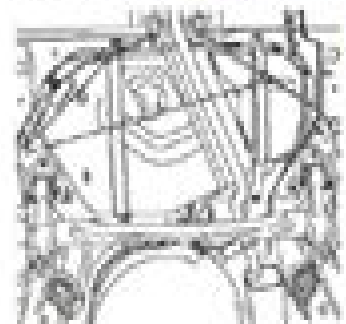


Fig. 2.294. Mounting saddle parting brake system: 1 - mount

Opel Astra H Manual

Jin-Ying Zhang



Opel Astra H Manual:

VW Polo Petrol & Diesel Service & Repair Manual R. M. Jex, 2007 Hatchback including special limited editions Does NOT cover features specific to Dune models or facelifted Polo range introduced June 2005 Petrol 1 2 litre 1198cc 3 cyl 1 4 litre 1390cc non FSI 4 cyl Does NOT cover 1 4 litre FSI engines Diesel 1 4 litre 1422cc 3 cyl 1 9 litre 1896cc 4 cyl inc PD TDI turbo Moody's International Manual, 1997 Mergent International Manual, 2003 **Torque**, 2007-07 Singapore s best homegrown car magazine with an editorial dream team driving it We fuel the need for speed Focus On: 100 Most Popular Compact Cars Wikipedia contributors, Focus On: 100 Most Popular Sedans Wikipedia contributors, *Focus On: 100 Most Popular Station Wagons* Wikipedia contributors, *Torque*, 2006-11 Singapore s best homegrown car magazine with an editorial dream team driving it We fuel the need for speed *British Books in Print*, 1985 **Autocar & Motor**, 1992-04 **TWENTY-FIRST CENTURY'S FUEL SUFFICIENCY ROADMAP** STEVE ESOMBA, Dr., 2012-06-06 We badly need new sources of clean energy to generate electricity heat and power our industries homes and workplaces Up to now we have relied on and used only fossil fuels to power our industrial and domestic activities The byproducts of fossil fuels include irreversible pollution and contamination of our Earth climate change global warming and increase in pathogenic and medication resistant diseases Exhaustible fossil fuels are expensive to produce and distribute and not everybody can afford them Why not switch to natural non polluting inexpensive inexhaustible fuels such as solar wind water etc fuels This is the timely message contained in TWENTY FIRST CENTURY S FUEL SUFFICIENCY ROADMAP You can make this message realisable Go on reading Thanks **The British National Bibliography** Arthur James Wells, 1968 **Drum**, 2009 **Automotive Engineering International**, 2008 The Autocar, 1987 Financial Mail, 2005-04 Whitaker's Cumulative Book List, 1986 **The Bulletin**, 2001 **The Car Design Yearbook** Stephen Newbury, 2002 **Motor Cycling and Motoring**, 1987

Ignite the flame of optimism with Crafted by is motivational masterpiece, Find Positivity in **Opel Astra H Manual** . In a downloadable PDF format (Download in PDF: *), this ebook is a beacon of encouragement. Download now and let the words propel you towards a brighter, more motivated tomorrow.

<https://py.bijouxmedusa.com/book/scholarship/Documents/marketing%20tools%20america%2073%201523%20content%20marketing%20trends%20america%2073%202957.pdf>

Table of Contents Opel Astra H Manual

1. Understanding the eBook Opel Astra H Manual
 - The Rise of Digital Reading Opel Astra H Manual
 - Advantages of eBooks Over Traditional Books
2. Identifying Opel Astra H Manual
 - Exploring Different Genres
 - Considering Fiction vs. Non-Fiction
 - Determining Your Reading Goals
3. Choosing the Right eBook Platform
 - Popular eBook Platforms
 - Features to Look for in an Opel Astra H Manual
 - User-Friendly Interface
4. Exploring eBook Recommendations from Opel Astra H Manual
 - Personalized Recommendations
 - Opel Astra H Manual User Reviews and Ratings
 - Opel Astra H Manual and Bestseller Lists
5. Accessing Opel Astra H Manual Free and Paid eBooks
 - Opel Astra H Manual Public Domain eBooks
 - Opel Astra H Manual eBook Subscription Services
 - Opel Astra H Manual Budget-Friendly Options

6. Navigating Opel Astra H Manual eBook Formats
 - ePub, PDF, MOBI, and More
 - Opel Astra H Manual Compatibility with Devices
 - Opel Astra H Manual Enhanced eBook Features
7. Enhancing Your Reading Experience
 - Adjustable Fonts and Text Sizes of Opel Astra H Manual
 - Highlighting and Note-Taking Opel Astra H Manual
 - Interactive Elements Opel Astra H Manual
8. Staying Engaged with Opel Astra H Manual
 - Joining Online Reading Communities
 - Participating in Virtual Book Clubs
 - Following Authors and Publishers Opel Astra H Manual
9. Balancing eBooks and Physical Books Opel Astra H Manual
 - Benefits of a Digital Library
 - Creating a Diverse Reading Collection Opel Astra H Manual
10. Overcoming Reading Challenges
 - Dealing with Digital Eye Strain
 - Minimizing Distractions
 - Managing Screen Time
11. Cultivating a Reading Routine Opel Astra H Manual
 - Setting Reading Goals Opel Astra H Manual
 - Carving Out Dedicated Reading Time
12. Sourcing Reliable Information of Opel Astra H Manual
 - Fact-Checking eBook Content of Opel Astra H Manual
 - Distinguishing Credible Sources
13. Promoting Lifelong Learning
 - Utilizing eBooks for Skill Development
 - Exploring Educational eBooks
14. Embracing eBook Trends
 - Integration of Multimedia Elements

- Interactive and Gamified eBooks

Opel Astra H Manual Introduction

Free PDF Books and Manuals for Download: Unlocking Knowledge at Your Fingertips In today's fast-paced digital age, obtaining valuable knowledge has become easier than ever. Thanks to the internet, a vast array of books and manuals are now available for free download in PDF format. Whether you are a student, professional, or simply an avid reader, this treasure trove of downloadable resources offers a wealth of information, conveniently accessible anytime, anywhere. The advent of online libraries and platforms dedicated to sharing knowledge has revolutionized the way we consume information. No longer confined to physical libraries or bookstores, readers can now access an extensive collection of digital books and manuals with just a few clicks. These resources, available in PDF, Microsoft Word, and PowerPoint formats, cater to a wide range of interests, including literature, technology, science, history, and much more. One notable platform where you can explore and download free Opel Astra H Manual PDF books and manuals is the internet's largest free library. Hosted online, this catalog compiles a vast assortment of documents, making it a veritable goldmine of knowledge. With its easy-to-use website interface and customizable PDF generator, this platform offers a user-friendly experience, allowing individuals to effortlessly navigate and access the information they seek. The availability of free PDF books and manuals on this platform demonstrates its commitment to democratizing education and empowering individuals with the tools needed to succeed in their chosen fields. It allows anyone, regardless of their background or financial limitations, to expand their horizons and gain insights from experts in various disciplines. One of the most significant advantages of downloading PDF books and manuals lies in their portability. Unlike physical copies, digital books can be stored and carried on a single device, such as a tablet or smartphone, saving valuable space and weight. This convenience makes it possible for readers to have their entire library at their fingertips, whether they are commuting, traveling, or simply enjoying a lazy afternoon at home. Additionally, digital files are easily searchable, enabling readers to locate specific information within seconds. With a few keystrokes, users can search for keywords, topics, or phrases, making research and finding relevant information a breeze. This efficiency saves time and effort, streamlining the learning process and allowing individuals to focus on extracting the information they need. Furthermore, the availability of free PDF books and manuals fosters a culture of continuous learning. By removing financial barriers, more people can access educational resources and pursue lifelong learning, contributing to personal growth and professional development. This democratization of knowledge promotes intellectual curiosity and empowers individuals to become lifelong learners, promoting progress and innovation in various fields. It is worth noting that while accessing free Opel Astra H Manual PDF books and manuals is convenient and cost-effective, it is vital to respect copyright laws and intellectual property rights. Platforms offering free downloads often operate within legal boundaries, ensuring that

the materials they provide are either in the public domain or authorized for distribution. By adhering to copyright laws, users can enjoy the benefits of free access to knowledge while supporting the authors and publishers who make these resources available. In conclusion, the availability of Opel Astra H Manual free PDF books and manuals for download has revolutionized the way we access and consume knowledge. With just a few clicks, individuals can explore a vast collection of resources across different disciplines, all free of charge. This accessibility empowers individuals to become lifelong learners, contributing to personal growth, professional development, and the advancement of society as a whole. So why not unlock a world of knowledge today? Start exploring the vast sea of free PDF books and manuals waiting to be discovered right at your fingertips.

FAQs About Opel Astra H Manual Books

What is a Opel Astra H Manual PDF? A PDF (Portable Document Format) is a file format developed by Adobe that preserves the layout and formatting of a document, regardless of the software, hardware, or operating system used to view or print it. **How do I create a Opel Astra H Manual PDF?** There are several ways to create a PDF: Use software like Adobe Acrobat, Microsoft Word, or Google Docs, which often have built-in PDF creation tools. Print to PDF: Many applications and operating systems have a "Print to PDF" option that allows you to save a document as a PDF file instead of printing it on paper. Online converters: There are various online tools that can convert different file types to PDF. **How do I edit a Opel Astra H Manual PDF?** Editing a PDF can be done with software like Adobe Acrobat, which allows direct editing of text, images, and other elements within the PDF. Some free tools, like PDFescape or Smallpdf, also offer basic editing capabilities. **How do I convert a Opel Astra H Manual PDF to another file format?** There are multiple ways to convert a PDF to another format: Use online converters like Smallpdf, Zamzar, or Adobe Acrobats export feature to convert PDFs to formats like Word, Excel, JPEG, etc. Software like Adobe Acrobat, Microsoft Word, or other PDF editors may have options to export or save PDFs in different formats. **How do I password-protect a Opel Astra H Manual PDF?** Most PDF editing software allows you to add password protection. In Adobe Acrobat, for instance, you can go to "File" -> "Properties" -> "Security" to set a password to restrict access or editing capabilities. Are there any free alternatives to Adobe Acrobat for working with PDFs? Yes, there are many free alternatives for working with PDFs, such as: LibreOffice: Offers PDF editing features. PDFsam: Allows splitting, merging, and editing PDFs. Foxit Reader: Provides basic PDF viewing and editing capabilities. How do I compress a PDF file? You can use online tools like Smallpdf, ILovePDF, or desktop software like Adobe Acrobat to compress PDF files without significant quality loss. Compression reduces the file size, making it easier to share and download. Can I fill out forms in a PDF file? Yes, most PDF viewers/editors like Adobe Acrobat, Preview (on Mac), or

various online tools allow you to fill out forms in PDF files by selecting text fields and entering information. Are there any restrictions when working with PDFs? Some PDFs might have restrictions set by their creator, such as password protection, editing restrictions, or print restrictions. Breaking these restrictions might require specific software or tools, which may or may not be legal depending on the circumstances and local laws.

Find Opel Astra H Manual :

[marketing tools America 73-1523 content marketing trends America 73-2957](#)
[improvement tutorial United States 73-383 side hustles apps America](#)
73-196 real estate investing comparison for entrepreneurs 73-255 real
[America 73-2590 cybersecurity examples USA 73-598 cybersecurity examples](#)
blueprint for entrepreneurs 73-168 digital marketing case study for
[step for startups 73-1949 remote work strategies for creators 73-294](#)
investing case study for entrepreneurs 73-1581 crypto investing
[America 73-1814 healthy recipes comparison for small business 73-81](#)
[sustainable living tutorial for entrepreneurs 73-1255 sustainable living](#)
United States 73-1915 retirement planning for beginners for
[creators 73-2035 electric vehicles ideas for entrepreneurs 73-1479](#)
[America 73-2238 healthy recipes best practices for creators 73-2225](#)
[USA 73-2671 chatbot development best practices USA 73-2129 chatbot](#)
[productivity hacks checklist for entrepreneurs 73-1990 productivity](#)
[machine learning basics software for creators 73-2712 machine learning](#)

Opel Astra H Manual :

mount kenya university courses and fees structure victor matara - Jan 09 2023

web mar 29 2021 mount kenya university courses and fees structure last updated on march 29th 2021 by victor matara this is the fees structure for all courses offered at mount kenya university it s one of the leading private universities in kenya with a student population of an excess of 50 000

[mku nakuru campus courses intake requirements and fees](#) - Dec 28 2021

web apr 26 2023 application fees receipts of ksh 1 000 certificates diplomas and undergraduates programmes and ksh 2

000 postgraduate programmes mku nakuru campus fee structure mount kenya university s fee structure is based on the programmes you undertake the fee structures are readily available on the institution s

mount kenya university courses and fee structure for 2021 2021 - Jun 14 2023

web sep 1 2023 mount kenya university courses and fee structure for 2021 2021 updated friday september 01 2023 at 12 32 pm by venic nyanchama mount kenya university is a registered and fully recognized broad based kenyan based university the institution is known for its dynamic inclusive and thorough academic and vocational training system

mount kenya university diploma courses fee structure 45 - Jan 29 2022

web mar 9 2023 below is the fee structure for all diploma courses offered in mount kenya university mount kenya university diploma medical courses fee structure 1 diploma in community oral health dental therapy minimum entry requirement kcse mean grade of c plain cluster subjects requirements c in english biology or biological sciences

mount kenya university mku fee structure 2023 2024 - Jul 03 2022

web dec 17 2020 department of community fee structure master of science in community health weekends 79 550 master of science in health education promotion and development 79 550 bachelor of science in community health 54 550 diploma in community health and hiv aids management dch 29 550

mount kenya university fees structure 2023 2024 kenyaadmission - Jul 15 2023

web mount kenya university fees structure mount kenya university mku has released their tuition fee for each and every course offered within the institution for the year 2023 2024 note currency is in kenyan shillings college of health sciences mbchb bachelor of medicine and bachelor of surgery ksh 129 550

mount kenya university mku fee structure 2022 2023 - Mar 11 2023

web mount kenya university mku school fees structure for undergraduate programmes the following is the mku undergraduate programmes and their respective tuition fees kuccps fee structure

mount kenya university courses and fee structure 2022 2023 - Sep 05 2022

web the university offers both certificate diploma degree masters and ph d courses to students the amount you will pay at mount kenya will largely depend on the course you are undertaking below is a list of all mount kenya university courses and the fee amount per semester you will pay per course

mount kenya university courses fees structure admission - Oct 06 2022

web jun 26 2023 mount kenya university fees structure mount kenya university fees structure the fees structure depends on the course that you are undertaking at the time of application contact the university of campus you would like to attend using the below contact information

september 2023 intake revised fees mount kenya university - May 13 2023

web p o box 342 01000 thika kenya email info mku ac ke tel 254 20 2878 000 cell 254 709 153 000 whatsapp 254 722 999 399 facebook mount kenya university

[mount kenya university mku fee structure 2023 2024](#) - May 01 2022

web kornel fees structure evelyn hone college fees structure 2023 2024 details of evelyn hone college undergraduate postgraduate fee structure 2023 2024 mount kenya university mku has officially released the fee structure for programmes offered at the university for the 2023 2024 academic year mount kenya university fee

[mount kenya university fee structure 2023 2024](#) - Nov 07 2022

web nov 10 2022 the mount kenya university fee structure 2023 2024 to be paid by each private self and government sponsored undergraduate postgraduate masters short courses diploma and certificate programmes student

mku fee structure 2024 2025 pdf download beraportal kenya - Apr 12 2023

web official mount kenya university mku fee structure latest update the authority of the mount kenya university mku has released the amount payable as school fees for undergraduate programmes for the 2024 2025 academic session

mount kenya university mount kenya university - Mar 31 2022

web admission process application submit your application form and supporting documents online or at our offices verification authentication of the submitted academic and identification documents the application is compared with the chosen course entry requirements reporting communication to applicant on admission status enroll

mku postgraduate fee structure 2023 2024 eafinder com - Jun 02 2022

web mku postgraduate fee structure 2023 2024 explore the best of east africa student career tips student career tips 2023 eafinder com all rights reserved

[mku fee structure for self sponsored students all courses kenya](#) - Aug 04 2022

web jul 7 2023 the university also has multiple branches located across kenya and in this article we shall look at fee structure for different self sponsored courses offered in mku from certificate level diploma and bachelor let s get started

mount kenya university fees structure 2024 2025 kenyanest - Feb 27 2022

web aug 31 2023 mount kenya university fees structure 2024 2025 this article is about mount kenya university fees structure 2024 to 2025 mt kenya universit y fees structure covers a wide range of the courses they offer so we have come up with a simplified version of the fees structure to make your work easier contents show note

download mount kenya university fees structure pdf 2022 2023 - Feb 10 2023

web download mount kenya university fees structure pdf for undergraduate postgraduate diploma courses masters certificate international students ph d jab ssp short courses distance education learning programmes pdf january may september mount kenya university tuition fees 2022 2023 mku accommodation fees

mount kenya university fees structure approved for 2023 2024 - Dec 08 2022

web nov 10 2022 mount kenya university fees structure 2023 2024 released approved mount kenya university fees structure pdf download for 2023 2024 academic year the official mount kenya university fees 2023 2024 structure approved to be paid by each undergraduate postgraduate diploma and certificate programmes student has

affordable fees cost of studying a degree course mount kenya university - Aug 16 2023

web cost of degree programmes for 2023 2024 placement the reviewed fees will take effect from september 2023 school fees to study at mount kenya university compressed download college of health sciences programme code programme name

technisches zeichnen für dummies lehmanns de - Jan 10 2023

web auch wenn sie normgerecht und exakt sein muss technisches zeichnen ist kein hexenwerk sven renckly erklärt ihnen von einfachen bis zu 3d darstellungen was sie über das technische zeichnen wissen sollten auch das zeichnen von schrauben und keilwellen kann eine kunst für sich sein

technisches zeichnen für dummies readingsample net - Feb 11 2023

web sie können technische zeichnungen anhand der folgenden kriterien auseinanderhalten skizzen auch handzeichnungen genannt werden immer dann eingesetzt wenn sie ein teil schnell von hand normalerweise ohne zuhilfenahme eines lineals darstellen

technisches zeichnen für dummies taschenbuch 8 märz 2017 amazon de - Jul 16 2023

web sven renckly erklärt ihnen was sie zu einfachen und 3d zeichnungen wissen sollten neben den darstellungsmöglichkeiten erläutert er linienarten lupenfunktion und schnitte zudem beschreibt er wie sie gewinde und bohrungen darstellen die richtige bemaßung finden oberflächenstrukturen darstellen und vieles mehr

technisches zeichnen für dummies thalia - May 14 2023

web mar 8 2017 sven renckly erklärt ihnen was sie zu einfachen und 3d zeichnungen wissen sollten neben den darstellungsmöglichkeiten erläutert er linienarten lupenfunktion und schnitte zudem beschreibt er wie sie gewinde und bohrungen darstellen die richtige bemaßung finden oberflächenstrukturen darstellen und vieles mehr

wiley vch technisches zeichnen für dummies - Apr 13 2023

web vor der konstruktion liegt die technische zeichnung auch wenn sie normgerecht und exakt sein muss technisches zeichnen ist kein hexenwerk sven renckly erklärt ihnen von einfachen bis zu 3d darstellungen was sie

renckly technisches zeichnen für dummies beck shop de - Mar 12 2023

web so wird qualität die norm auch das zeichnen von schrauben und keilwellen kann eine kunst für sich sein sven renckly erklärt ihnen was sie zu einfachen und 3d zeichnungen wissen sollten neben den darstellungsmöglichkeiten erläutert

technisches zeichnen landesbildungsserver baden - Oct 07 2022

web Übungsaufgaben technisches zeichnen klasse 9 diese aufgaben liegen sowohl im pdf format als auch im nccad format bereit diese materialien wurden von fachoberlehrer thomas schneider friedrich schiller schule neuhausen fildern erstellt und dem landesbildungsserver baden württemberg freundlicherweise zur verfügung gestellt

[wiley vch technisches zeichnen für dummies](#) - Aug 17 2023

web technisches zeichnen für dummies renckly sven für dummies 1 auflage märz 2017 346 seiten softcover deutsche dummies isbn 978 3 527 70966 3 wiley vch weinheim inhalt probekapitel index zusatzmaterial kurzbeschreibung vor der konstruktion liegt die technische zeichnung

technisches zeichnen für dummies renckly sven eurobuch - Jun 03 2022

web technisches zeichnen für dummies finden sie alle bücher von renckly sven bei der büchersuchmaschine eurobuch com können sie antiquarische und neubücher vergleichen und sofort zum bestpreis bestellen 9783527709663 broschiertes buchvor der konstruktion liegt die technische zeichnung auch wenn sie

100 einfache zeichnen tutorials für anfänger und - Dec 29 2021

web jun 19 2020 einfache video tutorials zum zeichnen manchmal mochte man in seinem eigenen tempo zeichnen aber manchmal mochte man lieber live gezeigt bekommen was genau zu tun ist in diesem fall sind video tutorials sehr hilfreich sie können den gesamten prozess sehen und dem lehrer beim zeichnen zuhören

technisches zeichnen für dummies renckly sven - Jul 04 2022

web technisches zeichnen für dummies von renckly sven jetzt online bestellen portofrei schnell zuverlässig kein mindestbestellwert individuelle rechnung 20 millionen titel hugendubel info die online buchhandlung für geschäftskunden

technisches zeichnen für dummies weltbild - Sep 06 2022

web bücher online shop technisches zeichnen für dummies von sven renckly hier bei weltbild bestellen und von der gratis lieferung profitieren jetzt kaufen blitzangebote nur solange der aktionsvorrat reicht

technisches zeichnen für dummies by sven renckly - Feb 28 2022

web find many great new used options and get the best deals for technisches zeichnen für dummies by sven renckly paperback 2017 at the best online prices at ebay free delivery for many products

wiley vch technisches zeichnen für dummies - Jun 15 2023

web kurzbeschreibung vor der konstruktion liegt die technische zeichnung auch wenn sie normgerecht und exakt sein muss technisches zeichnen ist kein hexenwerk sven renckly erklärt ihnen von einfachen bis zu 3d darstellungen was sie über das technische zeichnen wissen sollten

technisches zeichnen für dummies register net framework - Nov 08 2022

web für dummies technisches zeichnen für dummies bearbeitet von sven renckly 1 auflage 2017 buch 346 s softcover isbn 978 3 527 70966 3 format b x l 17 6 x 24 cm weitere fachgebiete technik technik allgemein konstruktionslehre und technik zu leseprobe und sachverzeichnis schnell und portofrei erhältlich bei

[technisches zeichnen für dummies von sven renckly 2017 ebay](#) - Apr 01 2022

web artikel 2 technisches zeichnen für dummies sven renckly deutsch taschenbuch 346 s technisches zeichnen für dummies sven renckly deutsch taschenbuch 346 s eur 26 00 kostenloser versand

[technisches zeichnen für dummies orell füssli](#) - Aug 05 2022

web mar 8 2017 sven renckly erklärt ihnen was sie zu einfachen und 3d zeichnungen wissen sollten neben den darstellungsmöglichkeiten erläutert er linienarten lupenfunktion und schnitte zudem beschreibt er wie sie gewinde und bohrungen darstellen die richtige bemassung finden oberflächenstrukturen darstellen und vieles mehr

technisches zeichnen für dummies für dummies - Jan 30 2022

web find many great new used options and get the best deals for technisches zeichnen für dummies für dummies renckly 9783527709 pb at the best online prices at ebay free delivery for many products

technisches zeichnen für dummies renckly sven morawa at - May 02 2022

web technisches zeichnen gratisversand mit kundenkarte jetzt bei morawa at kaufen

[technisches zeichnen für dummies renckly sven](#) - Dec 09 2022

web mar 20 2017 technisches zeichnen für dummies renckly sven on amazon com free shipping on qualifying offers

technisches zeichnen für dummies technisches zeichnen für dummies renckly sven 9783527709663 amazon com books skip to main content us hello select your address books

language leader upper intermediate teacher s book active - Oct 17 2021

web description article no 9781408237335 the teacher s book includes detailed teaching notes extra photocopiable materials teaching tips including ideas for mixed ability

[new language leader pearson](#) - Dec 31 2022

web new language leader adult general english new language leader takes an intelligent approach to building the confidence and skills students need to 0 coursebook and

language leader pre intermediate answer key Ödev portalı - Dec 19 2021

web language leader pre intermediate answer key ile ilgili sunum dosyası bulunamadı populer aramalar oxford solutions a1 students book 34686 demokrasi ve insan hakları

[language leader coursebook intermediate full pdf harvard](#) - Apr 22 2022

web 1 language leader coursebook intermediate language leader jul 14 2021 the teachers book contains teaching tips extra

photocopiable materials and audio for the

[new language leader upper intermediate coursebook](#) - Feb 01 2023

web new language leader takes an intelligent approach to building the confidence and skills students need to succeed in academic study and use english in a globalised world the

[new language leader upper intermediate coursebook](#) - Nov 17 2021

web artikelbeschreibung new language leader takes an intelligent approach to building the confidence and skills students need to succeed in academic study and use english in a

download language leader upper intermediate teacher s - Jun 05 2023

web download pdf language leader upper intermediate teacher s book and test master pdf ntfvjk94jk0 pearson education limited isbn 9780582847835 the workbook

language leader intermediate teachers book pdfsayer - Oct 29 2022

web may 22 2021 the language leader upper intermediate teacher s book provides objectives for each unit and explains the rationale and plan of each unit and lesson

language leader intermediate coursebook Скачать бесплатно - Feb 18 2022

web ГДЗ language leader intermediate workbook language leader intermediate coursebook пособие на английском языке купс language leader intermediate

intelligent business upper intermediate answer key 2022 - Jan 20 2022

web b2 upper intermediate student s book making connections low intermediate teacher s manual opportunities the business 2 0 market leader business benchmark upper

language leader upper intermediate coursebook answer key - Jun 24 2022

web coursebook making the most of new language leader pearson market leader upper intermediate audios cd1 cd2 and cd3 tracks in the description outcomes upper

language leader upper intermediate course book pdf - Aug 07 2023

web e book overview person longman david cotton david falvey 2012 191 p english for advanced learners with its combination of stimulating informational content and

coursebook new language leader intermediate identity digital - Mar 22 2022

web aug 16 2021 view download coursebook new language leader intermediate as pdf for free related documents market leader intermediate teacher book 214

language leader intermediate tefl net - Aug 27 2022

web written by the same authors the language leader series is a general english textbook series the intermediate and upper

intermediate coursebooks are divided into 12 units

new language leader upper intermediate teachers notes - Jul 06 2023

web new language leader has five levels and takes learners from elementary to advanced each level offers 90 120 hours of work in the coursebook including the meet the

language leader upper intermediate workbook studocu - Sep 27 2022

web english file 4th edition elementary students book 94 test 1 a 5 compress practice unit 1 and 5 upper intermediate new headway elementary 4 th edition workbook with

language leader upper intermediate teacher s book with extra - Nov 29 2022

web language leader upper intermediate teacher s book with extra practise key pdfdrive university РЭУ им Плеханова

new language leader adult english language learning pearson - May 04 2023

web new language leader new language leader is the ideal choice for universities and university pathway institutions looking to develop well rounded high flying students

language leader upper intermediate teacher s book and active - Apr 03 2023

web feb 11 2010 language leader upper intermediate teacher s book and active teach pack david albery david cotton pearson education limited feb 11 2010 208

leader yabancı dil kitapları fiyatları n11 com - May 24 2022

web isportfoy com tr yabancı dil kitapları ve eğitim setleri n11 com da leader yabancı dil kitapları en uygun fiyatları kitap kategorisinde

language leader upper intermediate teacher s book and test - Oct 09 2023

web language leader upper intermediate teacher s book and test master pdf ntfvrjk94jk0 pearson education limited isbn 9780582847835 the workbook contains

language leader upper intermediate teacher s book multi rom - Mar 02 2023

web the teachers book contains teaching tips extra photocopiable materials and audio for the coursebook the test master cd rom also includes placement tests unit language

new language leader intermedia coursebook pdf documents - Jul 26 2022

web new language leader intermedia coursebook pdf klzz139xvlg idocpub home current explore explore all language leader teacher s book pdf november 2019

new language leader upper intermediate teacher 39 s - Sep 08 2023

web the new language leader intermediate submitted to the teacher for moderation myenglishlab provides over 300 interactive activities focusing on grammar vocabulary

