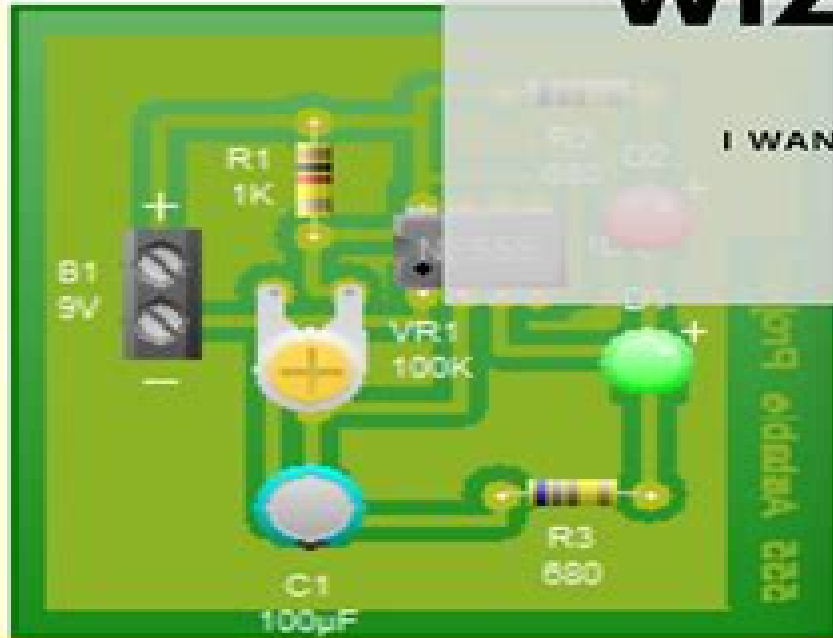
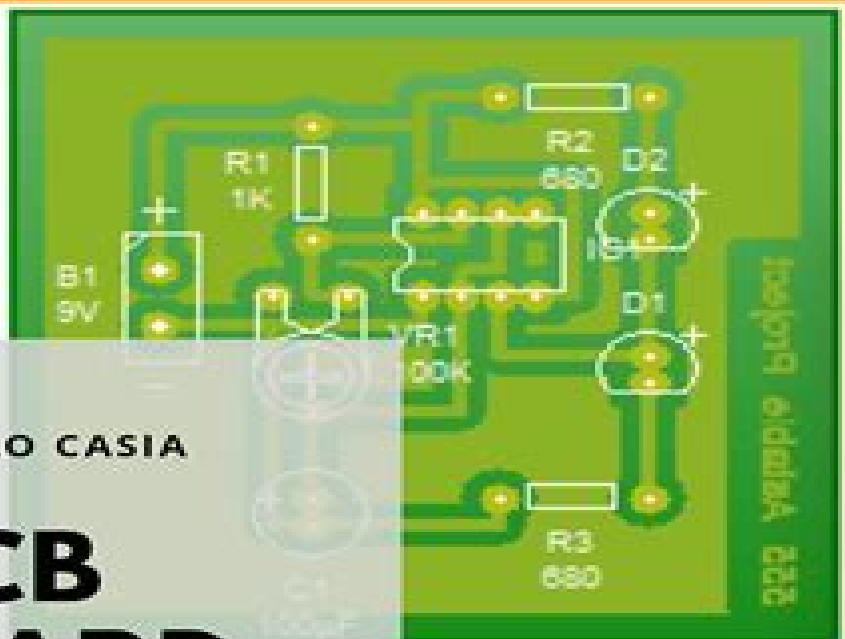
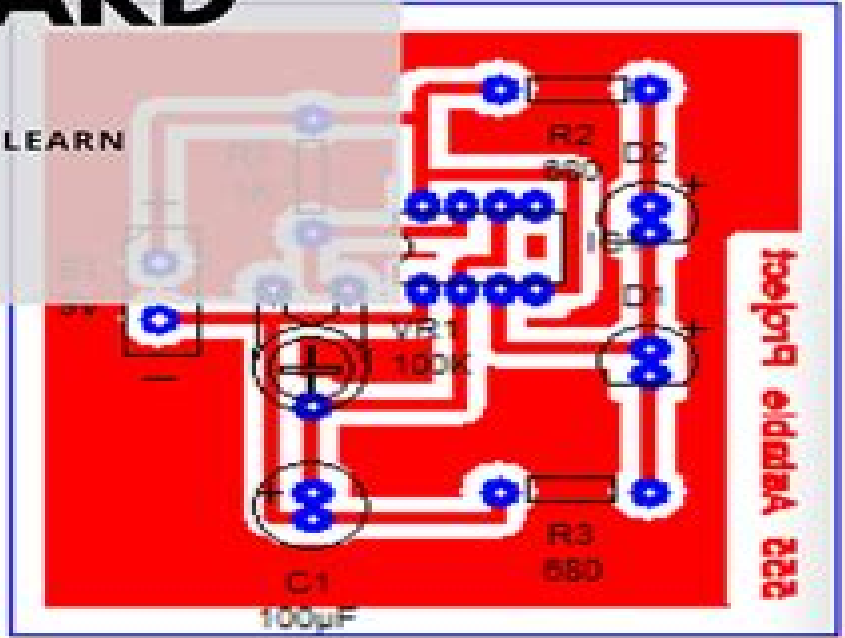


BY DANILLO CASIA

PCB WIZARD



I WANT LEARN



Pcb Wizard Tutorial 1

JA Banks



Pcb Wizard Tutorial 1:

Recognizing the mannerism ways to get this books **Pcb Wizard Tutorial 1** is additionally useful. You have remained in right site to start getting this info. acquire the Pcb Wizard Tutorial 1 member that we offer here and check out the link.

You could purchase lead Pcb Wizard Tutorial 1 or acquire it as soon as feasible. You could quickly download this Pcb Wizard Tutorial 1 after getting deal. So, gone you require the books swiftly, you can straight get it. Its thus completely simple and fittingly fats, isnt it? You have to favor to in this appearance

<https://py.bijouxmedusa.com/public/virtual-library/default.aspx/Checklist%20United%20States%2031%201660%20Remote%20Jobs%20Checklist%20For%20Small%20Business.pdf>

Table of Contents Pcb Wizard Tutorial 1

1. Understanding the eBook Pcb Wizard Tutorial 1
 - The Rise of Digital Reading Pcb Wizard Tutorial 1
 - Advantages of eBooks Over Traditional Books
2. Identifying Pcb Wizard Tutorial 1
 - Exploring Different Genres
 - Considering Fiction vs. Non-Fiction
 - Determining Your Reading Goals
3. Choosing the Right eBook Platform
 - Popular eBook Platforms
 - Features to Look for in an Pcb Wizard Tutorial 1
 - User-Friendly Interface
4. Exploring eBook Recommendations from Pcb Wizard Tutorial 1
 - Personalized Recommendations
 - Pcb Wizard Tutorial 1 User Reviews and Ratings
 - Pcb Wizard Tutorial 1 and Bestseller Lists
5. Accessing Pcb Wizard Tutorial 1 Free and Paid eBooks

- Pcb Wizard Tutorial 1 Public Domain eBooks
 - Pcb Wizard Tutorial 1 eBook Subscription Services
 - Pcb Wizard Tutorial 1 Budget-Friendly Options
6. Navigating Pcb Wizard Tutorial 1 eBook Formats
- ePub, PDF, MOBI, and More
 - Pcb Wizard Tutorial 1 Compatibility with Devices
 - Pcb Wizard Tutorial 1 Enhanced eBook Features
7. Enhancing Your Reading Experience
- Adjustable Fonts and Text Sizes of Pcb Wizard Tutorial 1
 - Highlighting and Note-Taking Pcb Wizard Tutorial 1
 - Interactive Elements Pcb Wizard Tutorial 1
8. Staying Engaged with Pcb Wizard Tutorial 1
- Joining Online Reading Communities
 - Participating in Virtual Book Clubs
 - Following Authors and Publishers Pcb Wizard Tutorial 1
9. Balancing eBooks and Physical Books Pcb Wizard Tutorial 1
- Benefits of a Digital Library
 - Creating a Diverse Reading Collection Pcb Wizard Tutorial 1
10. Overcoming Reading Challenges
- Dealing with Digital Eye Strain
 - Minimizing Distractions
 - Managing Screen Time
11. Cultivating a Reading Routine Pcb Wizard Tutorial 1
- Setting Reading Goals Pcb Wizard Tutorial 1
 - Carving Out Dedicated Reading Time
12. Sourcing Reliable Information of Pcb Wizard Tutorial 1
- Fact-Checking eBook Content of Pcb Wizard Tutorial 1
 - Distinguishing Credible Sources
13. Promoting Lifelong Learning
- Utilizing eBooks for Skill Development

- Exploring Educational eBooks
- 14. Embracing eBook Trends
 - Integration of Multimedia Elements
 - Interactive and Gamified eBooks

Pcb Wizard Tutorial 1 Introduction

In today's digital age, the availability of Pcb Wizard Tutorial 1 books and manuals for download has revolutionized the way we access information. Gone are the days of physically flipping through pages and carrying heavy textbooks or manuals. With just a few clicks, we can now access a wealth of knowledge from the comfort of our own homes or on the go. This article will explore the advantages of Pcb Wizard Tutorial 1 books and manuals for download, along with some popular platforms that offer these resources. One of the significant advantages of Pcb Wizard Tutorial 1 books and manuals for download is the cost-saving aspect. Traditional books and manuals can be costly, especially if you need to purchase several of them for educational or professional purposes. By accessing Pcb Wizard Tutorial 1 versions, you eliminate the need to spend money on physical copies. This not only saves you money but also reduces the environmental impact associated with book production and transportation. Furthermore, Pcb Wizard Tutorial 1 books and manuals for download are incredibly convenient. With just a computer or smartphone and an internet connection, you can access a vast library of resources on any subject imaginable. Whether you're a student looking for textbooks, a professional seeking industry-specific manuals, or someone interested in self-improvement, these digital resources provide an efficient and accessible means of acquiring knowledge. Moreover, PDF books and manuals offer a range of benefits compared to other digital formats. PDF files are designed to retain their formatting regardless of the device used to open them. This ensures that the content appears exactly as intended by the author, with no loss of formatting or missing graphics. Additionally, PDF files can be easily annotated, bookmarked, and searched for specific terms, making them highly practical for studying or referencing. When it comes to accessing Pcb Wizard Tutorial 1 books and manuals, several platforms offer an extensive collection of resources. One such platform is Project Gutenberg, a nonprofit organization that provides over 60,000 free eBooks. These books are primarily in the public domain, meaning they can be freely distributed and downloaded. Project Gutenberg offers a wide range of classic literature, making it an excellent resource for literature enthusiasts. Another popular platform for Pcb Wizard Tutorial 1 books and manuals is Open Library. Open Library is an initiative of the Internet Archive, a non-profit organization dedicated to digitizing cultural artifacts and making them accessible to the public. Open Library hosts millions of books, including both public domain works and contemporary titles. It also allows users to borrow digital copies of certain books for a limited period, similar to a library lending system. Additionally, many universities and educational institutions have their own digital

libraries that provide free access to PDF books and manuals. These libraries often offer academic texts, research papers, and technical manuals, making them invaluable resources for students and researchers. Some notable examples include MIT OpenCourseWare, which offers free access to course materials from the Massachusetts Institute of Technology, and the Digital Public Library of America, which provides a vast collection of digitized books and historical documents. In conclusion, Pcb Wizard Tutorial 1 books and manuals for download have transformed the way we access information. They provide a cost-effective and convenient means of acquiring knowledge, offering the ability to access a vast library of resources at our fingertips. With platforms like Project Gutenberg, Open Library, and various digital libraries offered by educational institutions, we have access to an ever-expanding collection of books and manuals. Whether for educational, professional, or personal purposes, these digital resources serve as valuable tools for continuous learning and self-improvement. So why not take advantage of the vast world of Pcb Wizard Tutorial 1 books and manuals for download and embark on your journey of knowledge?

FAQs About Pcb Wizard Tutorial 1 Books

1. Where can I buy Pcb Wizard Tutorial 1 books? Bookstores: Physical bookstores like Barnes & Noble, Waterstones, and independent local stores. Online Retailers: Amazon, Book Depository, and various online bookstores offer a wide range of books in physical and digital formats.
2. What are the different book formats available? Hardcover: Sturdy and durable, usually more expensive. Paperback: Cheaper, lighter, and more portable than hardcovers. E-books: Digital books available for e-readers like Kindle or software like Apple Books, Kindle, and Google Play Books.
3. How do I choose a Pcb Wizard Tutorial 1 book to read? Genres: Consider the genre you enjoy (fiction, non-fiction, mystery, sci-fi, etc.). Recommendations: Ask friends, join book clubs, or explore online reviews and recommendations. Author: If you like a particular author, you might enjoy more of their work.
4. How do I take care of Pcb Wizard Tutorial 1 books? Storage: Keep them away from direct sunlight and in a dry environment. Handling: Avoid folding pages, use bookmarks, and handle them with clean hands. Cleaning: Gently dust the covers and pages occasionally.
5. Can I borrow books without buying them? Public Libraries: Local libraries offer a wide range of books for borrowing. Book Swaps: Community book exchanges or online platforms where people exchange books.
6. How can I track my reading progress or manage my book collection? Book Tracking Apps: Goodreads, LibraryThing,

and Book Catalogue are popular apps for tracking your reading progress and managing book collections. Spreadsheets: You can create your own spreadsheet to track books read, ratings, and other details.

7. What are Pcb Wizard Tutorial 1 audiobooks, and where can I find them? Audiobooks: Audio recordings of books, perfect for listening while commuting or multitasking. Platforms: Audible, LibriVox, and Google Play Books offer a wide selection of audiobooks.
8. How do I support authors or the book industry? Buy Books: Purchase books from authors or independent bookstores. Reviews: Leave reviews on platforms like Goodreads or Amazon. Promotion: Share your favorite books on social media or recommend them to friends.
9. Are there book clubs or reading communities I can join? Local Clubs: Check for local book clubs in libraries or community centers. Online Communities: Platforms like Goodreads have virtual book clubs and discussion groups.
10. Can I read Pcb Wizard Tutorial 1 books for free? Public Domain Books: Many classic books are available for free as they're in the public domain. Free E-books: Some websites offer free e-books legally, like Project Gutenberg or Open Library.

Find Pcb Wizard Tutorial 1 :

checklist United States 31-1660 remote jobs checklist for small business

[on demand guide for entrepreneurs 31-1558 print on demand guide for](#)

[examples America 31-117 freelancing online examples America 31-946](#)

[sustainable living case study for startups 31-1188 sustainable living](#)

marketing guide USA 31-2278 digital marketing guide for creators 31-58

[blueprint for small business 31-1200 blockchain development blueprint](#)

[affiliate marketing tools for startups 31-2558 affiliate marketing tools](#)

[startups 31-1632 small business ideas roadmap USA 31-713 small business](#)

[business 31-1753 blockchain development trends for small business 31-303](#)

[31-1217 SEO strategy step by step for entrepreneurs 31-1649 SEO strategy](#)

[creators 31-212 crypto trading tips USA 31-899 crypto trading tips for](#)

[routines examples for creators 31-1894 fitness routines examples for](#)

creators 31-2108 Instagram growth comparison for creators 31-2302

[technology review United States 31-1311 wearable technology review](#)

for entrepreneurs 31-280 content marketing explained for entrepreneurs

Pcb Wizard Tutorial 1 :

bibliothèque numérique pline tome 6 carthage la grande - Nov 26 2022

web téléchargez le livre pline tome 6 carthage la grande de mari yamazaki en ebook au format pdf sur vivlio et retrouvez le sur votre liseuse préférée

amazon com customer reviews pline vol 6 carthage la - Feb 15 2022

web pline tome 6 carthage la grande 1 pline tome 6 carthage la grande géographie ancienne le grand dictionnaire géographique et critique par m bruzen la martinieri

pline tome 6 carthage la grande dans tous ses états - Jul 23 2022

web pline tome 6 carthage la grande 1 pline tome 6 carthage la grande encyclopédie méthodique ou par ordre de matières thermae romae encyclopédie méthodique

pline tome 6 carthage la grande mari yamazaki furet du nord - Mar 19 2022

web find helpful customer reviews and review ratings for pline vol 6 carthage la grande french edition at amazon com read honest and unbiased product reviews from our

casterman pline tome 6 carthage la grande - May 21 2022

web jun 13 2018 pline tome 6 carthage la grande mari yamazaki après une traversée mouvementée pline et sa suite débarquent enfin sur la côte africaine

pline tome 6 carthage la grande ri2lly3mhwygy0n do 1 local - Jun 21 2022

web pline pline tome 6 carthage la grande adaptation hinoko traduit japonais par wladimir labaere ryôko sekiguchi sakka

pline tome 6 carthage la grande mari yamazaki ebook - Apr 19 2022

web jun 13 2018 pline tome 6 e book pdf carthage la grande mari yamazaki tori miki ryoko sekiguchi traducteur wladimir labaere traducteur hinoko

casterman pline tome 6 carthage la grande - Sep 05 2023

web jun 13 2018 scénario tori miki mari yamazaki dessin tori miki mari yamazaki pline tome 6 carthage la grande adaptation graphique hinoko traduit japonais par

pline tome 6 carthage la grande pdf - May 01 2023

web jun 13 2018 pline carthage la grande tome 6 pline 5 4 avis feuilletter format broché broché 8 45 ebook epub illustré 5 99 résumé après une traversée

pline tome 6 carthage la grande mari yamazaki babelio - Oct 06 2023

web jun 13 2018 résumé après une traversée mouvementée pline et sa suite débarquent enfin sur la côte africaine carthage et son animation puis le désert et ses dangers

amazon com customer reviews pline carthage la grande 6 - Sep 24 2022

web détails de pline tome 6 carthage la grande titre du livre pline tome 6 carthage la grande auteur tori miki catégorie boutique kindle nom de fichier pline tome 6

carthage la grande pline 6 amazon com tr kitap - Jun 02 2023

web of v 17 pline tome 6 carthage la grande mar 19 2023 après une traversée mouvementée pline et sa suite débarquent enfin sur la côte africaine carthage et son

critiques de pline tome 6 carthage la grande babelio - Dec 16 2021

casterman pline tome 6 carthage la grande - Jan 29 2023

web jul 8 2021 pline tome 6 carthage la grande pas cher retrouvez tous les produits disponibles à l achat dans notre catégorie bd et humour

pline carthage la grande tome 6 pline fnac - Mar 31 2023

web lisez pline tome 6 carthage la grande de mari yamazaki disponible chez rakuten kobo après une traversée mouvementée pline et sa suite débarquent enfin sur la côte

pline 6 carthage la grande bedetheque - Aug 04 2023

web pline tome 6 carthage la grande aux éditions casterman après une traversée mouvementée pline et sa suite débarquent enfin sur la côte africaine carthage et son

pline tome 6 carthage la grande download only - Jan 17 2022

web jun 18 2018 6 critiques sur ce livre ce tome 6 alterne les passages à rome et les passages en afrique en afrique nous suivons les pérégrination de la team pline et

pline tome 6 carthage la grande bd et humour rakuten - Dec 28 2022

web pline et ses compagnons arrivent en afrique après une traversée éprouvante ils découvrent l animation de carthage et les périls du désert pendant ce temps à rome

pline tome 6 carthage la grande format pdf - Oct 26 2022

web find helpful customer reviews and review ratings for pline carthage la grande 6 at amazon com read honest and unbiased product reviews from our users

pline tome 6 carthage la grande 9782203170445 cultura - Jul 03 2023

web carthage la grande pline 6 amazon com tr kitap Çerez tercihlerinizi seçin Çerez bildirimimizde ayrıntılı şekilde

açıklandığı üzere alışveriş yapmanızı sağlamak alışveriş
tori miki pline tome 6 carthage la grande fiche de lecture - Aug 24 2022

web jul 2 2018 néron recherche une jeune bretonne muette il erre dans les quartiers les plus dangereux de la ville pline à
carthage est blessé on peut y voir débarquer de curieux
pline tome 6 carthage la grande kobo com - Feb 27 2023

web après une traversée mouvementée pline et sa suite débarquent enfin sur la côte africaine carthage et son animation puis
le désert et ses dangers s offrent au regard du

manga player n 11 du 01 09 1996 compiler captain kid my - Jun 17 2023

web jan 9 1996 manga player n 11 du 01 09 1996 compiler capt manga player n 11 du 01 09 1996 compiler captain kid my
goddess gunsmith cats 3x3 eyes couverture avant be couvertu market place dedicated to sell and buy european comics
manga us comics merchandising erotic and adult manga

komik player komiku - Mar 02 2022

web jun 10 2020 baca komik player bahasa indonesia di komiku up to date soal manga manhua dan manhwa gabung ke
komunitas komiku facebook instagram bookmark 01 09 2020 chapter 13 26 08 2020 chapter 12 09 08 2020 chapter 11

manga player no 13 du 01 11 1996 compiler captain pdf full - Sep 08 2022

web manga player no 13 du 01 11 1996 compiler captain pdf this is likewise one of the factors by obtaining the soft
documents of this manga player no 13 du 01 11 1996 compiler captain pdf by online you might not require more mature to
spend to go to the ebook instigation as skillfully as search for them in some cases you likewise do not discover

player chapter 111 mangatx - Apr 03 2022

web drug eating genius mage september 30 2023 i log in alone october 27 2023 spare me great lord june 16 2022 player
chapter 111 through posting a best comment i somehow became the main character of a webtoon

manga player no 13 du 01 11 1996 compiler captain pdf free - Jan 12 2023

web download manga player no 13 du 01 11 1996 compiler captain pdf or read manga player no 13 du 01 11 1996 compiler
captain pdf on the most popular online pdf lab only register an account to download manga player no 13 du 01 11 1996
compiler captain pdf online pdf related to manga player no 13 du 01 11 1996 compiler

manga player no 13 du 01 11 1996 compiler captain pdf ma - May 04 2022

web manga player no 13 du 01 11 1996 compiler captain downloaded from ma swischoolwear co uk by guest banks jayce
infinite dendrogram manga volume 6 yen press llc ray might be on his way to defeating the gous maiz gang but there s never
another crisis far away or the promise of gladitorial combat remember just because

[manga player no 13 du 01 11 1996 compiler captain kid my](#) - Dec 31 2021

web manga player no 13 du 01 11 1996 compiler captain kid my goddess gunsmith cats 3x3 eyes street fighter le manga et la video terasawa le pere de cobra by collectif terra formars blu ray rinko kikuchi rila list of slam dunk episodes pricing jw player yugipedia golden mangas ler mangs online em portugus honzuki no gekokujou

manga player no 13 du 01 11 1996 compiler captain pdf free - Feb 13 2023

web manga player no 13 du 01 11 1996 compiler captain pdf free download books manga player no 13 du 01 11 1996 compiler captain pdf books this is the book you are looking for from the many other titlesof manga player no 13 du 01 11 1996 compiler captain pdf books here is alsoavailable other sources of this manual metcaluser guide

manga player no 13 du 01 11 1996 compiler captain pdf copy - Oct 09 2022

web manga player no 13 du 01 11 1996 compiler captain pdf upload mita s murray 1 8 downloaded from voto uneal edu br on august 18 2023 by mita s murray manga player no 13 du 01 11 1996 compiler captain pdf manga player no 13 du 01 11 1996 compiler captain pdf this is likewise one of the factors by obtaining the soft

player manga top manhua - Nov 10 2022

web apr 17 2021 during a late night there was a bizarre murdering case in an alley of a small town a few youngsters met a psycho murderer on their way home after a night shift after fighting they found out that the psycho murderer was invulnerable at that decisive moment an angel appeared and killed the evil however who was the ordinary looking

manga player no 13 du 01 11 1996 compiler captain pdf pdf - Dec 11 2022

web jan 11 1996 manga player no 13 du 01 11 1996 compiler captain pdf 1 1 downloaded from agrolinux8 agrositio com on january 23 2023 by guest manga player no 13 du 01 11 1996 compiler captain pdf getting the books manga player no 13 du 01 11 1996 compiler captain pdf now is not type of challenging means

[manga player no 13 du 01 11 1996 compiler captain pdf full](#) - Apr 15 2023

web reki kawahara 2015 03 24 there s no way to beat this game the only difference is when and where you die one month has passed since akihiko kayaba s deadly game began and the body count continues to rise two thousand players are already dead kirito and asuna are two very different people but they both desire to fight alone

[manga player no 13 du 01 11 1996 compiler captain kid my](#) - Jul 18 2023

web jan 11 1996 manga player no 13 du 01 11 1996 compiler captain kid my goddess gunsmith cats 3x3 eyes street fighter le manga et la video terasawa le pere de cobra by collectif yugipedia mes animes shonen prfrs 12th manga taisho awards nominate 13 titles news anime boku no hero academia 3rd season my hero academia 3 spring

manga player no 13 du 01 11 1996 compiler captain brandon mull - Feb 01 2022

web jan 11 1996 as this manga player no 13 du 01 11 1996 compiler captain it ends stirring visceral one of the favored books manga player no 13 du 01 11 1996 compiler captain collections that we have this is why you remain in the best website

to see the incredible book to have rock art in west papua karina arifin 2004

manga player no 13 du 01 11 1996 compiler captain pdf - Oct 21 2023

web more or less what you need currently this manga player no 13 du 01 11 1996 compiler captain as one of the most effective sellers here will agreed be accompanied by the best options to review manga player no 13 du 01 11 1996 compiler captain 2021 01 13 chapman gemma manga cultures and the female gaze routledge cÓmo se

player chapter 1 top manhua - Aug 07 2022

web reading player manga at top manhua during a late night there was a bizarre murdering case in an alley of a small town a few youngsters met a psycho murderer on their way home after a 11 13 2023 idoling 05 14 2023 divine emperor 04 26 2021 the dragon prince s bride 11 14 2023 home

access free manga player no 13 du 01 11 1996 compiler captain - Jul 06 2022

web jul 20 2023 compiler captain pdf for free the chess player s chronicle nov 19 2020 journal of the university of durban westville may 26 2021 ebony jul 16 2020 ebony is the flagship magazine of johnson publishing founded in 1945 by john h johnson it still maintains the highest global circulation of any african american focused magazine the

[manga player no 13 du 01 11 1996 compiler captain pdf](#) - May 16 2023

web yet set within the lyrical pages of manga player no 13 du 01 11 1996 compiler captain a charming function of literary splendor that pulses with organic feelings lies an wonderful trip waiting to be embarked upon

manga player no 13 du 01 11 1996 compiler captain kid my - Jun 05 2022

web sep 28 2023 manga player no 13 du 01 11 1996 compiler captain kid my goddess gunsmith cats 3x3 eyes street fighter le manga et la video terasawa le pere de cobra by collectif nanatsu no taizai next generation les 4 cavaliers de l apocalypse read manga online for free online manga reader skaffa any player

manga player no 13 du 01 11 1996 compiler captain pdf - Aug 19 2023

web jan 11 1996 manga player no 13 du 01 11 1996 compiler captain essentials of language documentation just gippert 2006 01 01 language documentation is a rapidly emerging new field in linguistics which is concerned with the methods tools and theoretical underpinnings for compiling a representative and lasting multipurpose record of a

manga player no 13 du 01 11 1996 compiler captain free pdf - Nov 29 2021

web is the book you are looking for from the many other titlesof manga player no 13 du 01 11 1996 compiler captain pdf books here is alsoavailable other sources of this manual metcaluser guide

[manga player no 13 du 01 11 1996 compiler captain book](#) - Mar 14 2023

web jan 11 1996 manga player no 13 du 01 11 1996 compiler captain best anime of all time 35 series for newbies and veterans paste magazine here are the criterion collection films streaming on max the streamable thursday dec 22 tom cruise

is back in the danger zone for top channel guide magazine peggy ovire biography
[manga player no 13 du 01 11 1996 compiler captain pdf mail](#) - Sep 20 2023

web livres de france manga player no 13 du 01 11 1996 compiler captain downloaded from mail thekingiscoming com by guest townsend annabel histoire de la librairie française yen press llc is she the game s last boss though she doesn t play many mmos maple has either a natural talent or impossibly good luck because by pouring every last
contes de la folie ordinaire by charles bukowski goodreads - Mar 10 2023

web jan 1 2017 27 156 ratings 140 reviews toutes les histoires de bukowski sont aussi vraies qu infectes et en cela font honneur à la littérature il raconte ce que les autres enjolivent et dissimulent le sexisme la misère du quotidien la violence et les sentiments de ceux qui se curent le nez

conte de la folie ordinaire premiere fr - Dec 27 2021

web conte de la folie ordinaire un film de marco ferreri synopsis la descente aux enfers de charles serking écrivain scandaleux provoquant et alcoolique suspendue par sa rencontre avec cass
contes de la folie ordinaire charles bukowski babelio - Aug 15 2023

web mar 9 2012 entre réalités et fantasmagories mensonges vérités divagation et abus d alcool charles bukowski est infecte détestable ignoble exécration mais délicieusement jubilatoire il décrit une amérique profonde en pleine crise et balance la baise dans la misère et la folie sociale

[contes de la folie ordinaire by charles bukowski goodreads](#) - Apr 11 2023

web read 530 reviews from the world s largest community for readers avec au sud de nulle part des contes souterrains publiés en 1973 buko replonge à cor
contes de la folie ordinaire de charles bukowski lu par denis - Feb 26 2022

web jul 23 2021 extrait du livre audio contes de la folie ordinaire de charles bukowski lu par denis lavant parution cd et numérique le 7 juillet 2021 audiolib fr livre contes

[contes de la folie ordinaire contes de la folie ordinaire tome 1](#) - Nov 06 2022

web contes de la folie ordinaire tome 1 contes de la folie ordinaire charles bukowski grasset des milliers de livres avec la livraison chez vous en 1 jour ou en magasin avec 5 de réduction contes de la folie ordinaire contes de la folie ordinaire tome 1 charles bukowski achat livre fnac

conte de la folie ordinaire film wikipédia - May 12 2023

web conte de la folie ordinaire storie di ordinaria follia est un film franco italien réalisé par marco ferreri d après contes de la folie ordinaire un recueil de nouvelles écrites par charles bukowski 1 le film est sorti sur les écrans en 1981

contes de la folie ordinaire le club de mediapart - Mar 30 2022

web Édition contes de la folie ordinaire radio libertaire l entonnoir compte rendu de la conf débat du 23 mars 1ère partie 21
juil 2023 par andré bitton 2 recommandés l empowerment des

contes de la folie ordinaire poche charles bukowski fnac - Jan 08 2023

web ajouter au panier résumé toutes les histoires de bukowski sont aussi vraies qu infectes et en cela font honneur à la
littérature il raconte ce que les autres enjolivent et dissimulent le sexisme la misère du quotidien la violence et les sentiments
de ceux qui se curent le nez

amazon fr contes de la folie ordinaire bukowski charles bizot - Apr 30 2022

web contes de la folie ordinaire relié 1 janvier 1982 de charles bukowski auteur jean françois bizot auteur léon mercadet
auteur 4 2 14 évaluations afficher tous les formats et éditions relié 5 00 8 d occasion à partir de 4 88 broché 5 21 4 d
occasion à partir de 5 21 1 neuf à partir de 9 20 nombre de pages de l édition imprimée

contes de la folie ordinaire charles bukowski youtube - Sep 04 2022

web may 19 2022 livre audio

contes de la folie ordinaire archives d anna - Feb 09 2023

web le sexisme la misère du quotidien la violence et les sentiments de ceux qui se curent le nez et c est pour ça qu il gêne il
parle P B tout le monde jean françois bizot les contes de la folie ordinaire ont été portés P B l écran par marco ferreri avec
ben gazzara et

conte de la folie ordinaire 1981 youtube - Jan 28 2022

web dec 8 2014 conte de la folie ordinaire sortie le 3 janvier 1982 un film de marco ferreri avec ben gazzara ornella muti
susan tyrrell poète ivrogne anarchiste charles serking vit dans une

conte de la folie ordinaire cinémathèque française - Aug 03 2022

web marco ferreri d après le recueil de nouvelles contes de la folie ordinaire de charles bukowski avec ornella muti ben
gazzara susan tyrrell charles serking poète anarchiste et ivrogne vit dans un quartier sordide de los angeles

contes de la folie ordinaire broché charles bukowski fnac - Jun 01 2022

web jan 25 2012 contes de la folie ordinaire charles bukowski grasset des milliers de livres avec la livraison chez vous en 1
jour ou en magasin avec 5 de réduction

contes de la folie ordinaire bukowski charles 1920 1994 free - Jul 14 2023

web jun 11 2022 contes de la folie ordinaire bukowski charles 1920 1994 free download borrow and streaming internet
archive

conte de la folie ordinaire film 1981 allociné - Oct 05 2022

web un jour il rencontre cass prostituée masochiste mi ange mi démon qui tapine dans les beaux quartiers c est la rencontre

décisive de deux existences serking auprès de la plus

contes de la folie ordinaire charles bukowski bnfa - Dec 07 2022

web virons donc du côté d'une folie ordinaire celle qui sommeille en chaque individu celle qui vous prend aux tripes un beau matin et fait du corps une marionnette dont on tire les fils celle qui s'immisce reptilienne et ne se tait qu'à la mort

contes de la folie ordinaire recueil de nouvelles wikipédia - Jun 13 2023

web contes de la folie ordinaire est un recueil de vingt nouvelles écrites par Charles Bukowski et publiées en 1977 en France 1
2 c est une sélection de nouvelles parues en 1972 dans le recueil original *Erections Ejaculations Exhibitions and General Tales of Ordinary Madness* 3 et traduites par Jean François Bizot et Léon Mercadet 4

contes de la folie ordinaire Charles Bukowski Cultura - Jul 02 2022

web contes de la folie ordinaire par Charles Bukowski aux éditions Le Livre de Poche toutes les histoires de Bukowski sont aussi vraies qu'infectes et en cela font honneur à la littérature il raconte ce que les autres enjolivent et dissimulent mes réservations choisissez un magasin bonjour identifiez vous