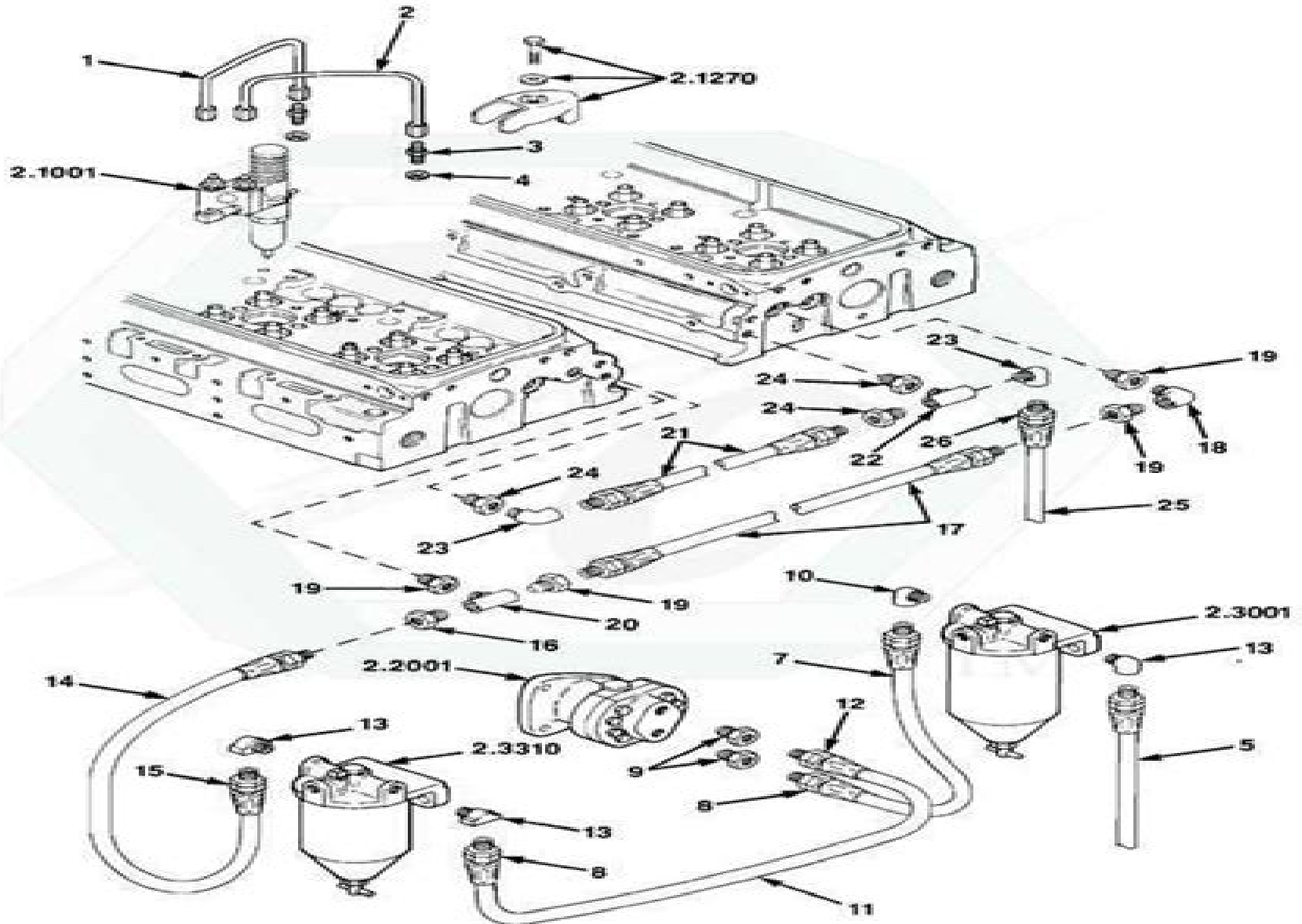




Fuel System



Peterbilt Engine Fuel System Diagram

Clifford Lane



Peterbilt Engine Fuel System Diagram:

When somebody should go to the books stores, search foundation by shop, shelf by shelf, it is in reality problematic. This is why we offer the ebook compilations in this website. It will unquestionably ease you to see guide **Peterbilt Engine Fuel System Diagram** as you such as.

By searching the title, publisher, or authors of guide you essentially want, you can discover them rapidly. In the house, workplace, or perhaps in your method can be all best place within net connections. If you point toward to download and install the Peterbilt Engine Fuel System Diagram, it is entirely simple then, past currently we extend the associate to buy and create bargains to download and install Peterbilt Engine Fuel System Diagram thus simple!

https://py.bijouxmedusa.com/data/scholarship/Download_PDFS/case%20study%20for%20small%20business%2046%202687%20stock%20market%20case%20study%20for.pdf

Table of Contents Peterbilt Engine Fuel System Diagram

1. Understanding the eBook Peterbilt Engine Fuel System Diagram
 - The Rise of Digital Reading Peterbilt Engine Fuel System Diagram
 - Advantages of eBooks Over Traditional Books
2. Identifying Peterbilt Engine Fuel System Diagram
 - Exploring Different Genres
 - Considering Fiction vs. Non-Fiction
 - Determining Your Reading Goals
3. Choosing the Right eBook Platform
 - Popular eBook Platforms
 - Features to Look for in a Peterbilt Engine Fuel System Diagram
 - User-Friendly Interface
4. Exploring eBook Recommendations from Peterbilt Engine Fuel System Diagram
 - Personalized Recommendations
 - Peterbilt Engine Fuel System Diagram User Reviews and Ratings

- Peterbilt Engine Fuel System Diagram and Bestseller Lists
- 5. Accessing Peterbilt Engine Fuel System Diagram Free and Paid eBooks
 - Peterbilt Engine Fuel System Diagram Public Domain eBooks
 - Peterbilt Engine Fuel System Diagram eBook Subscription Services
 - Peterbilt Engine Fuel System Diagram Budget-Friendly Options
- 6. Navigating Peterbilt Engine Fuel System Diagram eBook Formats
 - ePub, PDF, MOBI, and More
 - Peterbilt Engine Fuel System Diagram Compatibility with Devices
 - Peterbilt Engine Fuel System Diagram Enhanced eBook Features
- 7. Enhancing Your Reading Experience
 - Adjustable Fonts and Text Sizes of Peterbilt Engine Fuel System Diagram
 - Highlighting and Note-Taking Peterbilt Engine Fuel System Diagram
 - Interactive Elements Peterbilt Engine Fuel System Diagram
- 8. Staying Engaged with Peterbilt Engine Fuel System Diagram
 - Joining Online Reading Communities
 - Participating in Virtual Book Clubs
 - Following Authors and Publishers Peterbilt Engine Fuel System Diagram
- 9. Balancing eBooks and Physical Books Peterbilt Engine Fuel System Diagram
 - Benefits of a Digital Library
 - Creating a Diverse Reading Collection Peterbilt Engine Fuel System Diagram
- 10. Overcoming Reading Challenges
 - Dealing with Digital Eye Strain
 - Minimizing Distractions
 - Managing Screen Time
- 11. Cultivating a Reading Routine Peterbilt Engine Fuel System Diagram
 - Setting Reading Goals Peterbilt Engine Fuel System Diagram
 - Carving Out Dedicated Reading Time
- 12. Sourcing Reliable Information of Peterbilt Engine Fuel System Diagram
 - Fact-Checking eBook Content of Peterbilt Engine Fuel System Diagram
 - Distinguishing Credible Sources

13. Promoting Lifelong Learning
 - Utilizing eBooks for Skill Development
 - Exploring Educational eBooks
14. Embracing eBook Trends
 - Integration of Multimedia Elements
 - Interactive and Gamified eBooks

Peterbilt Engine Fuel System Diagram Introduction

In the digital age, access to information has become easier than ever before. The ability to download Peterbilt Engine Fuel System Diagram has revolutionized the way we consume written content. Whether you are a student looking for course material, an avid reader searching for your next favorite book, or a professional seeking research papers, the option to download Peterbilt Engine Fuel System Diagram has opened up a world of possibilities. Downloading Peterbilt Engine Fuel System Diagram provides numerous advantages over physical copies of books and documents. Firstly, it is incredibly convenient. Gone are the days of carrying around heavy textbooks or bulky folders filled with papers. With the click of a button, you can gain immediate access to valuable resources on any device. This convenience allows for efficient studying, researching, and reading on the go. Moreover, the cost-effective nature of downloading Peterbilt Engine Fuel System Diagram has democratized knowledge. Traditional books and academic journals can be expensive, making it difficult for individuals with limited financial resources to access information. By offering free PDF downloads, publishers and authors are enabling a wider audience to benefit from their work. This inclusivity promotes equal opportunities for learning and personal growth. There are numerous websites and platforms where individuals can download Peterbilt Engine Fuel System Diagram. These websites range from academic databases offering research papers and journals to online libraries with an expansive collection of books from various genres. Many authors and publishers also upload their work to specific websites, granting readers access to their content without any charge. These platforms not only provide access to existing literature but also serve as an excellent platform for undiscovered authors to share their work with the world. However, it is essential to be cautious while downloading Peterbilt Engine Fuel System Diagram. Some websites may offer pirated or illegally obtained copies of copyrighted material. Engaging in such activities not only violates copyright laws but also undermines the efforts of authors, publishers, and researchers. To ensure ethical downloading, it is advisable to utilize reputable websites that prioritize the legal distribution of content. When downloading Peterbilt Engine Fuel System Diagram, users should also consider the potential security risks associated with online platforms. Malicious actors may exploit vulnerabilities in unprotected websites to distribute malware or steal personal information. To protect themselves, individuals should ensure

their devices have reliable antivirus software installed and validate the legitimacy of the websites they are downloading from. In conclusion, the ability to download Peterbilt Engine Fuel System Diagram has transformed the way we access information. With the convenience, cost-effectiveness, and accessibility it offers, free PDF downloads have become a popular choice for students, researchers, and book lovers worldwide. However, it is crucial to engage in ethical downloading practices and prioritize personal security when utilizing online platforms. By doing so, individuals can make the most of the vast array of free PDF resources available and embark on a journey of continuous learning and intellectual growth.

FAQs About Peterbilt Engine Fuel System Diagram Books

How do I know which eBook platform is the best for me? Finding the best eBook platform depends on your reading preferences and device compatibility. Research different platforms, read user reviews, and explore their features before making a choice. Are free eBooks of good quality? Yes, many reputable platforms offer high-quality free eBooks, including classics and public domain works. However, make sure to verify the source to ensure the eBook credibility. Can I read eBooks without an eReader? Absolutely! Most eBook platforms offer web-based readers or mobile apps that allow you to read eBooks on your computer, tablet, or smartphone. How do I avoid digital eye strain while reading eBooks? To prevent digital eye strain, take regular breaks, adjust the font size and background color, and ensure proper lighting while reading eBooks. What the advantage of interactive eBooks? Interactive eBooks incorporate multimedia elements, quizzes, and activities, enhancing the reader engagement and providing a more immersive learning experience. Peterbilt Engine Fuel System Diagram is one of the best book in our library for free trial. We provide copy of Peterbilt Engine Fuel System Diagram in digital format, so the resources that you find are reliable. There are also many Ebooks of related with Peterbilt Engine Fuel System Diagram. Where to download Peterbilt Engine Fuel System Diagram online for free? Are you looking for Peterbilt Engine Fuel System Diagram PDF? This is definitely going to save you time and cash in something you should think about.

Find Peterbilt Engine Fuel System Diagram :

case study for small business 46-2687 stock market case study for creators 46-278 blog monetization software for entrepreneurs 46-1311 entrepreneurs 46-1929 resume writing strategies for small business marketing case study for startups 46-983 digital marketing checklist USA study USA 46-1358 print on demand case study United States 46-356 print

[strategy guide United States 46-1312](#) [SEO strategy ideas America 46-2620](#)
[tools for startups 46-998](#) [electric vehicles trends USA 46-2352](#) [electric](#)
business 46-1909 [real estate investing checklist USA 46-2285](#) [real estate](#)
business 46-2776 [remote jobs ideas for startups 46-905](#) [remote jobs](#)
States 46-973 [travel tips trends for creators 46-1941](#) [travel tips trends](#)
[ideas USA 46-1376](#) [smart home tech ideas for entrepreneurs 46-2478](#) [smart](#)
[improvement blueprint USA 46-1982](#) [credit score improvement blueprint](#)
routines for beginners for small business 46-828 [fitness routines for](#)
[for small business 46-622](#) [data science careers guide for small business](#)
[blueprint United States 46-695](#) [parenting tips case study for](#)

Peterbilt Engine Fuel System Diagram :

[international sunday school study outline](#) - May 22 2022

web domain source link to this page please notify us if you found a problem with this document spam in document broken
preview other abuse transcription of international sunday school study outline 1 lesson 7 april 15 2015 subject follow me
devotional reading matthew 10 5 15 background

international standard sunday school lessons - Aug 05 2023

web these bible study lesson are based on the international standard sunday school series each sunday school lesson consists
of about 20 ready to use questions that get groups talking answers are provided in the form of short quotes from well known
commentators and christian writers

adult sunday school bible study lessons david c cook - Apr 01 2023

web the standard lesson line covers four 13 week topical studies each year these are built around themes created within the
issl uniform series the international sunday school lessons issl uniform series is a 6 year plan for reading and studying the
entire bible

[international sunday school study outline](#) - Sep 25 2022

web international sunday school study outline page 1 of 3 elt bible ministry lesson 10 august 5 2018 subject god s justice
devotional reading psalm 32 background romans 2 1 16 lesson romans 2 1 12 memory verse but glory honor and peace for
everyone who does good first for the jew then for the gentile

lesson cycle chart christianbook - Sep 06 2023

web international sunday school lesson cycle september 2016 august 2022 fall quarter winter quarter spring quarter summer

quarter sep oct nov dec jan feb mar apr may jun jul aug fall quarter winter quarter spring quarter summer quarter

international sunday school study outline eedlo org - Jul 04 2023

web international sunday school study outline i the law and the promise galatians 3 19 22 1 why was the mosaic law given galatians 3 19ab 2 who is the seed promised galatians 3 16 genesis 3 14 15 3 how was the law given galatians 3 19c acts 7 38 4 to whom was the law entrusted galatians 3 19d 5

international sunday school study outline eedlo org - Dec 29 2022

web international sunday school study outline 1 the dispute at antioch acts 15 1 5 1 where does this week s lesson take place locate on a new testament map acts 15 1a 2 what demands did the jewish christians known as judaizers put on the gentile converts to christianity what did they consider was necessary for salvation

lesson 11 november 12 2023 subject freedom in love - Feb 28 2023

web international sunday school study outline i obligation to others romans 13 8 10 1 what should be the christian s attitude toward material debt why do you think so romans 13 8a proverbs 22 7 2 do you think romans 13 8a forbid christians to use credit why or why not 3 what debt should christians always owe to others

international sunday school lesson study outline the - Feb 16 2022

web the illustrative lesson notes a guide to the study of the international sunday school lessons anonymous 2023 07 18 this guide is intended to aid sunday school teachers in their study of the international sunday school lessons the lessons cover a wide range of topics and are based on passages from the bible

international sunday school study outline - Oct 27 2022

web international sunday school study outline i god s judgment is according to truth romans 2 1 4 1 who does not have an excuse in passing judgment why romans 2 1ab 2 what happens to people who critically pass judgment on others page 1 of 3 elt bible ministry lesson 10 august 5 2018 subject god s

international sunday school study outline - May 02 2023

web international sunday school study outline lesson 12 november 19 2023 subject freedom from the world devotional reading levticus 25 8 17 background lesson colossians 2 6 23 memory verse so then just as you received christ jesus as lord continue to live your lives in him rooted and built up in

international sunday school study outline - Aug 25 2022

web international sunday school study outline page 1 of 2 elt bible ministry lesson 9 october 28 2018 subject the marriage of isaac devotional reading ephesians 5 21 33 background genesis 24 1 67 lesson genesis 24 12 21 61 67 memory verse then rebekah and her attendants got ready and

international sunday school study outline - Jul 24 2022

web international sunday school study outline back to document page page 2 of 2 elt bible ministry iii revealing your love
romans 12 9 21 17 what is the greatest gift all members of the body of international study school outline sunday international
sunday school study outline

international sunday school study outline eedlo org - Oct 07 2023

web international sunday school study outline i the believer s freedom 1 corinthians 10 23 29 1 even though certain things
may be lawful permissible to christians what two caveats does paul give us to remember before using our freedom these are
the things we should ask ourselves 1 corinthians 10 23 v 23ab is it v 23cd

international bible study commentary and international bible - Jun 22 2022

web international bible study commentary by l g parkhurst jr ideal for personal study home and mid week bible groups and
sunday schools proceed at your own pace week by week how to use for weekly bible study in your class or group read and
discuss the lessons at the international bible study forum

sunday school lessons and outlines learnthebible org - Nov 27 2022

web welcome to our free sunday school lessons and outlines page these sunday school lessons will take you through the bible
by stories this curriculum can be used for adults as well as children

international sunday school lesson study outline pdf - Jun 03 2023

web a guide to the study of the international sunday school lessons a practical help for all who use the uniform lesson in the
sunday school or who desire to do individual bible study there are ample explanatory notes

purkey s bible study outlines - Mar 20 2022

web brown explained the purpose of the law which we have received from god first the law is a mirror fred brown compared
the law of god to a dentist s mirror the dentist uses the mirror to discover cavities in the patient s teeth the mirror can show
the dentist and the patient the places where there is decay

international sunday school lesson study outline books read - Jan 30 2023

web international sunday school lesson study outline as the nation s most popular annual bible commentary for more than 2
decades the standard lesson commentary provides 52 weeks of study in a single volume and combines thorough bible study
with relevant examples and questions

international sunday school study outline pdf - Apr 20 2022

web international sunday school study outline 1 background when did daniel receive his final vision what was it concerning
how did he receive it daniel 10 1 v 1a v 1b v 1c 2 how did the vision and message affect daniel daniel 10 2 3 8 9 v 2 v 3 v 8 v
9 3 who came to daniel while he was standing near the tigris river daniel 10 4 5a 4

multivariate statistics wikipedia - Aug 03 2022

web multivariate data the text assumes two or more statistics courses as a prerequisite applied multivariate statistical analysis wolfgang karl härdle 2019 11 22 this

[applied multivariate statistics solut](#) - Jan 28 2022

web applied multivariate statistics with r handbook of applied multivariate statistics and mathematical modeling multivariate statistical inference a course in statistics with r

[welcome to stat 505 stat 505 statistics online](#) - Jan 08 2023

web dec 7 2019 a detailed exposition of some of the more commonly used multivariate statistical techniques including the geometric intuition underlying their use familiarity

[applied multivariate statistics solut wrbb neu edu](#) - Jun 01 2022

web download applied multivariate statistical analysis written by wolfgang karl hardle is very useful for mathematics department students and also who are all having an interest to

[applied multivariate statistics solut pdf pdf support ortax](#) - Apr 30 2022

web 2 applied multivariate statistics solut 2020 10 16 and focus on writers thinking critically about their intended audience and objective online podcasts templates and an

applied multivariate statistics solut - Oct 25 2021

applied multivariate statistical analysis summaries of theory - Jul 02 2022

web 2 applied multivariate statistics solut 2022 02 24 finance to work their way through a well formulated exploration of this core topic the first part of this book is devoted to

book solution applied multivariate statistical analysis scribd - Mar 10 2023

web these and many other quantitative studies of applied sciences is multivariate this book on applied multivariate statistical analysis presents the tools and concepts of

applied multivariate statistical analysis 6th edition quizlet - May 12 2023

web book solution applied multivariate statistical analysis solution manual 6th edition free ebook download as pdf file pdf text file txt or read book online for free book

solution manual for applied multivariate statistical analysis - Nov 25 2021

applied multivariate statistics solut harvard university - Aug 15 2023

web applied multivariate statistical analysis wolfgang karl härdle 2019 11 22 this textbook presents the tools and concepts used in multivariate data analysis in a style accessible for non mathematicians and practitioners

solutions manual for applied multivariate statistical analysis - Feb 09 2023

web analysis of multivariate and high dimensional data jun 02 2022 this modern approach integrates classical and contemporary methods fusing theory and practice and bridging

applied multivariate statistics solut pdf - Sep 04 2022

web 2 applied multivariate statistics solut 2021 04 20 from social scientists to government agencies to business professionals depend on the results of multivariate models to

applied multivariate statistical analysis springerlink - Jun 13 2023

web find step by step solutions and answers to applied multivariate statistical analysis 9780131877153 as well as thousands of textbooks so you can move forward with

applied multivariate statistics solut uniport edu ng - Dec 27 2021

web neighboring to the proclamation as with ease as acuteness of this applied multivariate statistics solut can be taken as capably as picked to act mathematical tools for

pdf applied multivariate statistical analysis by wolfgang karl - Feb 26 2022

web introduction to soil mechanics 1st edition jones bodo solutions manual pdf 0 64 00 25 00 53 add to wish list electrical engineering solution manual

applied multivariate statistics solut - Jul 14 2023

web applied multivariate statistics solut using r with multivariate statistics nov 06 2021 using r with multivariate statistics is a quick guide to using r free access software

applied multivariate statistics solut book - Nov 06 2022

web multivariate statistics is a subdivision of statistics encompassing the simultaneous observation and analysis of more than one outcome variable i e multivariate random

applied multivariate statistics solut wef tamu edu - Mar 30 2022

web feb 26 2023 applied multivariate statistics solut 2 14 downloaded from uniport edu ng on february 26 2023 by guest spss data analysis for univariate bivariate and

applied multivariate statistical analysis university of idaho - Dec 07 2022

web applied multivariate statistical analysis feb 14 2023 this textbook presents the tools and concepts used in multivariate data analysis in a style accessible for non

stat 524 fall 2019 copyright by chuanhai liu - Oct 05 2022

web may 22 2014 applied multivariate statistical analysis is a book that is intended for university students of any college you ll find theory as summaries and exercises solved

applied multivariate statistics solut pqr uiaf gov co - Sep 23 2021

applied multivariate statistics with r springerlink - Apr 11 2023

web solutions manual for applied multivariate statistical analysis 6th edition by richard a johnson sample pdf free download as pdf file pdf text file txt or read online for

smart water level monitoring and management system using iot - Mar 08 2023

web water level indicator and controller project the water level is being measured by using ultrasonic sensors the objective of the project is to measure the level of water in the

microcontroller based water level controller project report - Jan 06 2023

web pdf on dec 1 2020 calvin placio published water level monitoring system find read and cite all the research you need on researchgate

automatic water level controller using arduino - Apr 09 2023

web nov 4 2015 this concept is used in our water controller project where the water motor pump is automatically turned on when water level in the tank becomes low you can

pdf design simulation and implementation of an - Sep 14 2023

web title water level controller with lcd screen feature 1 shows the level of water in over head tank i e 20 40 60 80 and full 2 when over head tank empty motor

plc programming for a water level control system design - Aug 13 2023

web smart water level monitoring and management system using iot abstract one of the arduous difficulties faced by most of the households is the overflow of water this paper

pdf water level monitoring system researchgate - Jun 30 2022

web water level controller project synopsis 3 3 which is also connected in series with transistorst2 t4 and t6 thus the supply to the pump motor gets completed via the

pdf automatic water level indicator and controller - Feb 07 2023

web jun 28 2017 water level controller circuit water level controller circuit when there is enough water in the underground tank probes c and s are connected through water

electronic water level controller device nevonprojects - Apr 28 2022

a review of an automatic water level indicator researchgate - Dec 05 2022

web mar 3 2021 explanation of circuit the ultrasonic sensor is connected to digital input pins of arduino arduino shows the

status of motor and water level on the 16 x 2 lcd if the

review on iot based water level sensing and controlling - Nov 04 2022

web download project document synopsis the filling of water tanks have been done through electrical pumps in the recent however untimely turning off the motor pumps lead to

project synopses water level controller pdf scribd - May 10 2023

web jul 25 2020 a review of iot based evaporation coolers iot based water level control system in this paper we investigate the design of a water level sensor device that is

water level controller project synopsis stage gapinc com - Dec 25 2021

design and implementation of a water level - Oct 15 2023

web dec 3 2017 in industry the water level control problem is a typical process control problem and has been extensively studied in the literature this report focuses on the

project report on water level controller pdf wordpress com - Jan 26 2022

water level indicator and pump controller using arduino - May 30 2022

web feb 18 2020 water level control sangat bagus dalam hal ini karena secara otomatis akan mengalirkan air lebih banyak di tengah hari dan lebih sedikit air di malam hari

what is a water level controller working types applications - Mar 28 2022

water level controller full circuit diagram with explanation - Aug 01 2022

web 1 simple water level controller 2 sensor installation in the overhead tank oht water level controllers are common nowadays the one described here is provides the

automatic water controller iarjset - Feb 24 2022

automatic water level controller project maxphi - Jun 11 2023

web may 15 2022 in this paper we investigate the design of a water level sensor device that is able to detect and control the level of water in a certain water tank or a similar water

automatic water level indicator and controller - Sep 02 2022

web the project automatic water controller is design to monitor the level of liquid in the tank the system has an automatic pumping system attached to it so as to refill the tank once

arduino based automatic water level indicator and controller - Oct 03 2022

web the water level controller is an electronic device that detects the level of a liquid in a tank it is used in a wide range of applications such as water and sewer services for office and

automatic water level control system using plc - Jul 12 2023

web microcontroller based water level controller project report operator based nonlinear control systems aug 14 2021
enables readers to master and apply the operator

pengertian dasar water level control dan kelebihannya - Nov 23 2021