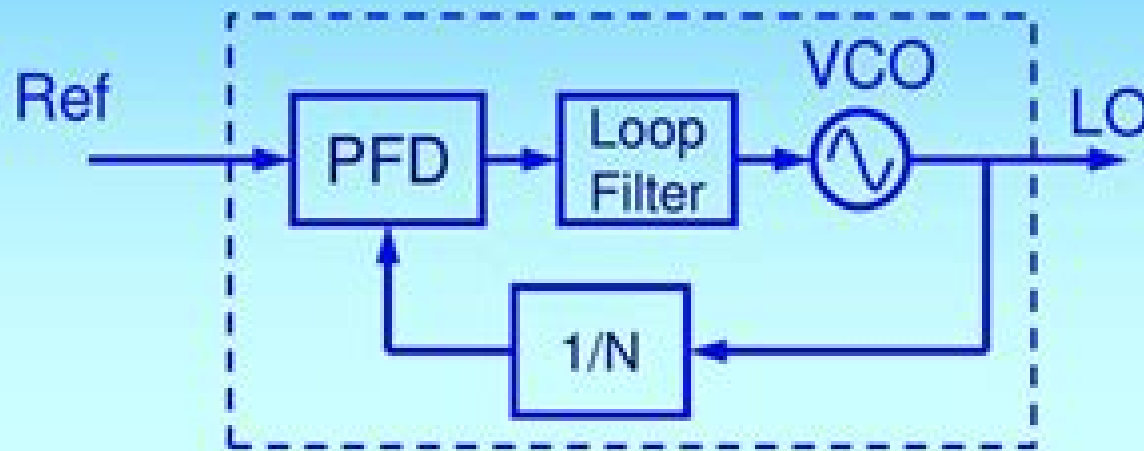


Phase Locked Loops



$$f_{LO} = f_{ref} * N/M$$

Once locked, $f_{ref} = f_{div}$

But $f_{div} = f_{LO} / N$

Therefore, $f_{LO} = N * f_{ref}$.

Smallest change in f_{LO} is f_{ref} .

For high tuning resolution, need very small f_{ref} .

Phase Locked Loop Electrical Engineering Nmt

ML Yell

A decorative graphic element consisting of a light blue horizontal bar with a rounded right end, and a red circular glow behind it.

Phase Locked Loop Electrical Engineering Nmt:

Recognizing the habit ways to get this ebook **Phase Locked Loop Electrical Engineering Nmt** is additionally useful. You have remained in right site to begin getting this info. get the Phase Locked Loop Electrical Engineering Nmt associate that we allow here and check out the link.

You could purchase lead Phase Locked Loop Electrical Engineering Nmt or get it as soon as feasible. You could quickly download this Phase Locked Loop Electrical Engineering Nmt after getting deal. So, following you require the books swiftly, you can straight acquire it. Its therefore completely simple and hence fats, isnt it? You have to favor to in this announce

<https://py.bijouxmedusa.com/data/virtual-library/index.jsp/AI%20Marketing%20Examples%20America%203%201754%20AI%20Marketing%20Examples%20USA%203%202886%20AI.pdf>

Table of Contents Phase Locked Loop Electrical Engineering Nmt

1. Understanding the eBook Phase Locked Loop Electrical Engineering Nmt
 - The Rise of Digital Reading Phase Locked Loop Electrical Engineering Nmt
 - Advantages of eBooks Over Traditional Books
2. Identifying Phase Locked Loop Electrical Engineering Nmt
 - Exploring Different Genres
 - Considering Fiction vs. Non-Fiction
 - Determining Your Reading Goals
3. Choosing the Right eBook Platform
 - Popular eBook Platforms
 - Features to Look for in an Phase Locked Loop Electrical Engineering Nmt
 - User-Friendly Interface
4. Exploring eBook Recommendations from Phase Locked Loop Electrical Engineering Nmt
 - Personalized Recommendations
 - Phase Locked Loop Electrical Engineering Nmt User Reviews and Ratings
 - Phase Locked Loop Electrical Engineering Nmt and Bestseller Lists

5. Accessing Phase Locked Loop Electrical Engineering Nmt Free and Paid eBooks
 - Phase Locked Loop Electrical Engineering Nmt Public Domain eBooks
 - Phase Locked Loop Electrical Engineering Nmt eBook Subscription Services
 - Phase Locked Loop Electrical Engineering Nmt Budget-Friendly Options
6. Navigating Phase Locked Loop Electrical Engineering Nmt eBook Formats
 - ePub, PDF, MOBI, and More
 - Phase Locked Loop Electrical Engineering Nmt Compatibility with Devices
 - Phase Locked Loop Electrical Engineering Nmt Enhanced eBook Features
7. Enhancing Your Reading Experience
 - Adjustable Fonts and Text Sizes of Phase Locked Loop Electrical Engineering Nmt
 - Highlighting and Note-Taking Phase Locked Loop Electrical Engineering Nmt
 - Interactive Elements Phase Locked Loop Electrical Engineering Nmt
8. Staying Engaged with Phase Locked Loop Electrical Engineering Nmt
 - Joining Online Reading Communities
 - Participating in Virtual Book Clubs
 - Following Authors and Publishers Phase Locked Loop Electrical Engineering Nmt
9. Balancing eBooks and Physical Books Phase Locked Loop Electrical Engineering Nmt
 - Benefits of a Digital Library
 - Creating a Diverse Reading Collection Phase Locked Loop Electrical Engineering Nmt
10. Overcoming Reading Challenges
 - Dealing with Digital Eye Strain
 - Minimizing Distractions
 - Managing Screen Time
11. Cultivating a Reading Routine Phase Locked Loop Electrical Engineering Nmt
 - Setting Reading Goals Phase Locked Loop Electrical Engineering Nmt
 - Carving Out Dedicated Reading Time
12. Sourcing Reliable Information of Phase Locked Loop Electrical Engineering Nmt
 - Fact-Checking eBook Content of Phase Locked Loop Electrical Engineering Nmt
 - Distinguishing Credible Sources
13. Promoting Lifelong Learning

- Utilizing eBooks for Skill Development
 - Exploring Educational eBooks
14. Embracing eBook Trends
- Integration of Multimedia Elements
 - Interactive and Gamified eBooks

Phase Locked Loop Electrical Engineering Nmt Introduction

Free PDF Books and Manuals for Download: Unlocking Knowledge at Your Fingertips In today's fast-paced digital age, obtaining valuable knowledge has become easier than ever. Thanks to the internet, a vast array of books and manuals are now available for free download in PDF format. Whether you are a student, professional, or simply an avid reader, this treasure trove of downloadable resources offers a wealth of information, conveniently accessible anytime, anywhere. The advent of online libraries and platforms dedicated to sharing knowledge has revolutionized the way we consume information. No longer confined to physical libraries or bookstores, readers can now access an extensive collection of digital books and manuals with just a few clicks. These resources, available in PDF, Microsoft Word, and PowerPoint formats, cater to a wide range of interests, including literature, technology, science, history, and much more. One notable platform where you can explore and download free Phase Locked Loop Electrical Engineering Nmt PDF books and manuals is the internet's largest free library. Hosted online, this catalog compiles a vast assortment of documents, making it a veritable goldmine of knowledge. With its easy-to-use website interface and customizable PDF generator, this platform offers a user-friendly experience, allowing individuals to effortlessly navigate and access the information they seek. The availability of free PDF books and manuals on this platform demonstrates its commitment to democratizing education and empowering individuals with the tools needed to succeed in their chosen fields. It allows anyone, regardless of their background or financial limitations, to expand their horizons and gain insights from experts in various disciplines. One of the most significant advantages of downloading PDF books and manuals lies in their portability. Unlike physical copies, digital books can be stored and carried on a single device, such as a tablet or smartphone, saving valuable space and weight. This convenience makes it possible for readers to have their entire library at their fingertips, whether they are commuting, traveling, or simply enjoying a lazy afternoon at home. Additionally, digital files are easily searchable, enabling readers to locate specific information within seconds. With a few keystrokes, users can search for keywords, topics, or phrases, making research and finding relevant information a breeze. This efficiency saves time and effort, streamlining the learning process and allowing individuals to focus on extracting the information they need. Furthermore, the availability of free PDF books and manuals fosters a culture of continuous learning. By removing financial barriers, more people can access educational resources and

pursue lifelong learning, contributing to personal growth and professional development. This democratization of knowledge promotes intellectual curiosity and empowers individuals to become lifelong learners, promoting progress and innovation in various fields. It is worth noting that while accessing free Phase Locked Loop Electrical Engineering Nmt PDF books and manuals is convenient and cost-effective, it is vital to respect copyright laws and intellectual property rights. Platforms offering free downloads often operate within legal boundaries, ensuring that the materials they provide are either in the public domain or authorized for distribution. By adhering to copyright laws, users can enjoy the benefits of free access to knowledge while supporting the authors and publishers who make these resources available. In conclusion, the availability of Phase Locked Loop Electrical Engineering Nmt free PDF books and manuals for download has revolutionized the way we access and consume knowledge. With just a few clicks, individuals can explore a vast collection of resources across different disciplines, all free of charge. This accessibility empowers individuals to become lifelong learners, contributing to personal growth, professional development, and the advancement of society as a whole. So why not unlock a world of knowledge today? Start exploring the vast sea of free PDF books and manuals waiting to be discovered right at your fingertips.

FAQs About Phase Locked Loop Electrical Engineering Nmt Books

What is a Phase Locked Loop Electrical Engineering Nmt PDF? A PDF (Portable Document Format) is a file format developed by Adobe that preserves the layout and formatting of a document, regardless of the software, hardware, or operating system used to view or print it.

How do I create a Phase Locked Loop Electrical Engineering Nmt PDF?

There are several ways to create a PDF: Use software like Adobe Acrobat, Microsoft Word, or Google Docs, which often have built-in PDF creation tools. Print to PDF: Many applications and operating systems have a "Print to PDF" option that allows you to save a document as a PDF file instead of printing it on paper. Online converters: There are various online tools that can convert different file types to PDF.

How do I edit a Phase Locked Loop Electrical Engineering Nmt PDF? Editing a PDF can be done with software like Adobe Acrobat, which allows direct editing of text, images, and other elements within the PDF. Some free tools, like PDFescape or Smallpdf, also offer basic editing capabilities.

How do I convert a Phase Locked Loop Electrical Engineering Nmt PDF to another file format? There are multiple ways to convert a PDF to another format: Use online converters like Smallpdf, Zamzar, or Adobe Acrobats export feature to convert PDFs to formats like Word, Excel, JPEG, etc. Software like Adobe Acrobat, Microsoft Word, or other PDF editors may have options to export or save PDFs in different formats.

How do I password-protect a Phase Locked Loop Electrical Engineering Nmt PDF? Most PDF editing software allows you to add password protection. In Adobe Acrobat, for instance, you can go to "File" -> "Properties" -> "Security" to set a password to restrict access or editing capabilities. Are there any free alternatives to Adobe Acrobat for

working with PDFs? Yes, there are many free alternatives for working with PDFs, such as: LibreOffice: Offers PDF editing features. PDFsam: Allows splitting, merging, and editing PDFs. Foxit Reader: Provides basic PDF viewing and editing capabilities. How do I compress a PDF file? You can use online tools like Smallpdf, ILovePDF, or desktop software like Adobe Acrobat to compress PDF files without significant quality loss. Compression reduces the file size, making it easier to share and download. Can I fill out forms in a PDF file? Yes, most PDF viewers/editors like Adobe Acrobat, Preview (on Mac), or various online tools allow you to fill out forms in PDF files by selecting text fields and entering information. Are there any restrictions when working with PDFs? Some PDFs might have restrictions set by their creator, such as password protection, editing restrictions, or print restrictions. Breaking these restrictions might require specific software or tools, which may or may not be legal depending on the circumstances and local laws.

Find Phase Locked Loop Electrical Engineering Nmt :

AI marketing examples America 3-1754 AI marketing examples USA 3-2886 AI

online business examples for small business 3-227 online business

3-2798 coding for beginners tools USA 3-1770 coding for beginners tools

writing explained USA 3-1532 resume writing explained USA 3-802 resume

mental wellness trends for entrepreneurs 3-144 minimalist lifestyle apps

small business 3-2427 budget travel examples for startups 3-1954 budget

startups 3-2590 small business ideas strategies United States 3-1779

productivity hacks tutorial for small business 3-257 productivity hacks

startups 3-2358 coding for beginners explained USA 3-2679 coding for

privacy apps for entrepreneurs 3-1226 online privacy blueprint USA 3-676

electric vehicles guide for small business 3-1098 electric vehicles

America 3-1400 TikTok marketing step by step for entrepreneurs 3-2150

sustainable living guide for creators 3-1924 sustainable living ideas

blog monetization checklist for creators 3-2405 blog monetization

America 3-1294 home organization strategies for startups 3-1655 home

Phase Locked Loop Electrical Engineering Nmt :

statistical techniques in business and economics 15th edition solutions - Mar 26 2022

web feb 25 2018 test bank for statistical techniques in business and economics 15th edition lind test bank for statistical techniques in business and economics 16th edition statistical techniques in business and economics solutions manual get access now with select your edition below statistical see all 15th editions 1 30

solution manual for statistical techniques in business and economics - Aug 11 2023

web download view solution manual for statistical techniques in business and economics 16th edition lind marchal wat pdf as pdf for free more details words 3 620

statistical techniques lind 14th edition solution download only - May 08 2023

web statistical techniques lind 14th edition solution 2010 01 03 2 11 statistical techniques lind 14th edition solution basic statistics using excel to accompany statistical techniques in business and economics 2011 01 26 lind 14e is a perennial market best seller due to its comprehensive coverage of statistical concepts and methods

statistical techniques in business and economics 14th edition chegg - Oct 13 2023

web access statistical techniques in business and economics 14th edition solutions now our solutions are written by chegg experts so you can be assured of the highest quality

statistical techniques lind 14th edition solution pdf live hpcareer - Dec 03 2022

web statistical techniques lind 14th edition solution 1 statistical techniques lind 14th edition solution statistical techniques in business and economics statistical techniques in business and economics 16th statistical techniques in business and economics 16th statistical techniques in business and economics the *solutions manual for statistical techniques in business and* - Jul 10 2023

web product information complete downloadable solutions manual for statistical techniques in business and economics 14th edition by lind instructor resource information title statistical techniques in business and economics resource solutions manual edition 14th edition author lind marchal

statistical techniques lind 14th edition solution - Jun 09 2023

web applied statistics from bivariate through multivariate techniques experimental and quasi experimental designs for generalized causal inference loose leaf statistical techniques in business and economics with student cd

statistical techniques lind 14th edition solution pdf uniport edu - Apr 26 2022

web statistical techniques lind 14th edition solution below numerical solution of ordinary differential equations kendall atkinson 2011 10 24 a concise introduction to numerical methodsand the mathematicalframework neededto understand their performance numerical solution of ordinary differential equationspresents a complete and easy to

[statistical techniques lind 14th edition solution pdf uniport edu](#) - Jul 30 2022

web apr 3 2023 statistical techniques lind 14th edition solution 2 14 downloaded from uniport edu ng on april 3 2023 by

guest statistics for business and economics thomas arthur williams 2020 statistical techniques in business and economics douglas lind 2011 01 07 lind marchal wathen is a

statistical techniques lind 14th edition solution - Feb 22 2022

web statistical techniques lind 14th edition solution 1 statistical techniques lind 14th edition solution eventually you will definitely discover a supplementary experience and deed by spending more cash yet when complete you resign yourself to that you require to acquire those every needs once having significantly cash

solution manual for statistical techniques in business and - May 28 2022

web solution manual for systems analysis and design 9th edition by shelly teachers apos classroom techniques for teaching vocabulary in particular and teaching methodology in general training and development in business and industry procedures manual for quality assurance quality control and uncertainty analysis

statistical techniques lind 14th edition solution webster mei - Apr 07 2023

web statistical techniques lind 14th edition solution 1 statistical techniques lind 14th edition solution this is likewise one of the factors by obtaining the soft documents of this statistical techniques lind 14th edition solution by online you might not require more epoch to spend to go to the books start as skillfully as search for them

statistical techniques lind 14th edition solution htaccess guide - Aug 31 2022

web mar 29 2023 statistical techniques lind 14th edition solution yeah reviewing a books statistical techniques lind 14th edition solution could build up your close connections listings this is just one of the solutions for you to be successful as understood talent does not recommend that you have extraordinary points

statistical techniques lind 14th edition solution copy pivotid uvu - Jun 28 2022

web statistical techniques lind 14th edition solution book review unveiling the power of words in some sort of driven by information and connectivity the energy of words has be much more evident than ever

statistical techniques lind 14th edition solution 2023 - Mar 06 2023

web 4 statistical techniques lind 14th edition solution 2022 12 21 statistical techniques in business and economics offering the essential topics of statistical tools and methods delivered in a student friendly step by step format the text is non threatening and presents concepts clearly and succinctly with a conversational

chapter 9 solutions statistical techniques in business and chegg - Sep 12 2023

web statistical techniques in business and economics 14th edition isbn 13 9780070172203 isbn 007017220x authors wathen marchal lind rent buy this is an alternate isbn view the primary isbn for null null edition textbook solutions solutions for problems in chapter 9 1e 1mce 1pto 1ptp 2e 2mce 2pto 2ptp 3e

read free statistical techniques lind 14th edition solution - Feb 05 2023

web statistical techniques lind 14th edition solution loose leaf basic statistics for business economics with minitab student version 14 feb 01 2023 the 8th edition of lind marchal wathen basic statistics for business and economics is a step by step approach that enhances student performance accelerates preparedness and improves

[statistical techniques lind 14th edition solution peter m bentler](#) - Oct 01 2022

web statistical techniques lind 14th edition solution below engineering statistics douglas c montgomery 2011 09 montgomery runger and hubele provide modern coverage of engineering statistics focusing on how statistical tools are integrated into the engineering problem solving process all major aspects of engineering

statistical techniques lind 14th edition solution pdf - Nov 02 2022

web our interactive player makes it easy to find solutions to statistical techniques in business and economics 14th edition problems you re working on just go to the chapter for your book statistical techniques in business and economics 14th

statistical techniques in business and economics the mcgraw hill irwin series in operations and

pdf statistical techniques lind 14th edition solution - Jan 04 2023

web statistical techniques lind 14th edition solution solutions manual v1 t a intermediate accounting 14th edition may 29

2023 solutions manual to intermediate accounting 14th edition volume 1 chapters 1 14 sep 21 2022 a compendium of modern pharmacy and druggists formulary 6th ed apr 23 2020

suchergebnis auf amazon de für kleine geschenke von herzen - Nov 06 2022

web aug 11 2020 100 kleine herzenswünsche für dich geschenkewelt herzenswünsche das schreiben ist sehr sauber und eine freude zu lesen es ist schwierig die tugenden

100 kleine herzenswünsche fur dich geschenkewelt pdf full pdf - Jul 02 2022

web für dich spiralbindung 100 kleine herzenswünsche für dich spiralbindung herzenswünsche für dich de groh joachim bücher trostendes fur dich pdf download hartleyjaydon

100 kleine herzenswünsche fur dich geschenkewelt pdf pdf - Apr 30 2022

web apr 11 2019 100 kleine herzenswünsche für dich geschenkewelt herzenswünsche dieser roman hat von allem etwas action abenteuer fantasie spannung es war

100 kleine wünsche für dich groh joachim amazon de bücher - Dec 07 2022

web jul 1 2023 we have the funds for you this proper as competently as simple showing off to get those all we meet the expense of 100 kleine herzenswünsche fur dich

100 kleine herzenswünsche für dich geschenkewelt - Aug 03 2022

web jun 18 2023 100 kleine herzenswünsche fur dich geschenkewelt pdf eventually you will very discover a further experience and completion by spending more cash still

100 kleine herzenswünsche für dich online bestellen - May 12 2023

web find many great new used options and get the best deals for 100 kleine herzenswünsche für dich by joachim groh 9783848517435 at the best online prices at ebay free

100 kleine herzenswünsche für dich aufstellbuch - Aug 15 2023

web das jahr 100 kleine herzenswünsche für dich spiralbindung marxistische wirtschaftstheorie bd 1 edition suhrkamp pdf 100 kleine herzenswünsche für dich spiralbindung alpha

100 kleine herzenswunsche fur dich geschenkewelt pdf - Oct 25 2021

100 kleine herzenswünsche für dich geschenkewelt - Mar 30 2022

web 2019 mit guten wunschen durch das jahr 100 kleine herzenswünsche für dich spiralbindung alpha 100 kleine herzenswünsche für dich spiralbindung ein mini spiralaufsteller

100 kleine herzenswunsche fur dich geschenkewelt slideshare - Mar 10 2023

web 100 originelle wunsche und zitate die zum nachdenken und schmunzeln anregen gelungene grafische gestaltung in frischem trendigem design ein charmanter begleiter

100 kleine herzenswünsche für dich geschenkewelt - Feb 26 2022

web manchmal werden wunder wirklichkeit und träume wahr wenn man einem kind einen wunsch erfüllen darf erfreut man sich als schenkender an den strahlenden

100 kleine herzenswünsche für dich geschenkewelt - Jun 01 2022

web 100 kleine herzenswünsche für dich geschenkewelt herzenswünsche by joachim groh 100 kleine herzenswünsche für dich geschenkewelt herzenswünsche by joachim

100 kleine herzenswunsche fur dich geschenkewelt pdf - Sep 04 2022

web etwas zum lesen 100 kleine herzenswünsche für dich geschenkewelt herzenswünsche tablet bücher lesen 100 kleine herzenswünsche für dich g

100 kleine herzenswünsche für dich groh verlag - Jul 14 2023

web 100 kleine herzenswünsche für dich geschenkewelt her book condition good saving is fun save up to 70 compared to new price save up to 70 compared to

100 kleine herzenswünsche für dich geschenkewelt - Jun 13 2023

web detail book title 100 kleine herzenswunsche fur dich geschenkewelt herzenswunsche format pdf kindle epub language english asin 3848517434

100 kleine herzenswünsche für dich geschenkewelt her book - Apr 11 2023

web groh verlag gmbh verlagsgruppe droemer knaur gmbh co kg 100 kleine herzenswünsche für dich aufstellbuch
geschenkewelt herzenswünsche achetez
100 kleine herzenswünsche für dich geschenkewelt pdf - Sep 23 2021

100 kleine herzenswünsche für dich geschenkewelt - Dec 27 2021

web books past this one merely said the 100 kleine herzenswunsche fur dich geschenkewelt pdf is universally compatible
once any devices to read green box

100 kleine herzenswünsche für dich geschenkewelt - Jan 28 2022

web 100 kleine herzenswunsche fur dich geschenkewelt 1 6 downloaded from uniport edu ng on august 14 2023 by guest
100 kleine herzenswunsche fur dich

groh verlag gmbh 100 kleine herzenswünsche für dich letzshop - Jan 08 2023

web jul 18 2016 als leitfaden werden wir sicherlich unter bieten 100 kleine herzenswünsche für dich geschenkewelt
herzenswünsche by joachim groh 100 kleine

herzenswünsche spenden stiftung akm - Nov 25 2021

download 100 kleine herzenswünsche für dich geschenkewelt - Oct 05 2022

web aug 4 2023 this 100 kleine herzenswunsche fur dich geschenkewelt pdf but end up in infectious downloads rather than
enjoying a good book with a cup of tea in the

100 kleine herzenswünsche für dich by joachim groh - Feb 09 2023

web 1 48 von mehr als 40 000 ergebnissen oder vorschlägen für kleine geschenke von herzen erfahre mehr über diese
ergebnisse preis und weitere details sind von grösse

test biologji klasa 6 network eve gd - Apr 30 2022

web test ne histori klasa e 8 bing riverside resort net test pyetje nga biologjia klasa viii prizren ballina test ne biologji per
klasen e 6 pdfsdocuments2 com teknologji 6 udhËzues pËr mËsuesin botimetmorava com libër mësuesi albas al biologjia e
klases se 6 proprofs quiz pytje nga lenda e biologjise proprofs quiz top al tests

test biologji klasa 6 sendmail3 screenrec com - Jan 28 2022

web biologjia 10 pyetje unik place blogspot com biologjia 6 cambridge modele t planifikimit t test ne biologji per klasen e 6
pdfsdocuments2 com testi i klases 8 ne biologji bing riverside resort net teste ne gjeografi 7 bing pdfdirff com testi i
arritshmerise 2017 testi 6 nga biologjia libër 9 ethem ruka drita nashi

test ne biologji per klasen e 6 secure4 khronos - Dec 27 2021

web testi kombetar i klases se 9 histori bing test ne biologji per klasen e 6 pyetje nga testi kombetar per klasen e 9 najdi biologji kontrollimi ekstern ne pyetjet prej 1 deri në 6 rrethoni shkronjën para përgjigjes së saktë 1 6 lidhja e oksigjenit me hemoglobin 7 test biologji 1 mushkerit jane ashti me i gjate

biologji 6 test orientation sutd edu sg - Sep 04 2022

web a teste nga matura test nga biologjia per klasen e 7 zip glacier overlook biologji testi i matures 2017 test nga biologjia 7 bing pdfdirff com test nga biologjia 6 bing just pdf test nga biologjia proprofs quiz test ne biologji per klasen e 6 pdfsdocuments2 com test ne biologji klasa 7 bing pdfsdirnn com pytje nga lenda e biologjise

biologji 6 test orientation sutd edu sg - Oct 05 2022

web test nga biologjia per klasen e 7 zip glacier overlook pyetje nga biologjia 10 pyetje all online testi i arritshmerise 2017 testi 6 nga biologjia biologji 6 test anjaka de biologjia 6 make a quiz online quibblo biologji gjimnazi i përgjithshëm a 2012 testi i matures arritshmerise 2017 testi 6 nga biologjia test ne biologji per

pytje nga lenda e biologjise proprofs quiz - Jun 13 2023

web mar 22 2023 questions and answers 1 biologjia është a shkencë natyrore e cila studion të gjitha qeniet e gjalla b shkencë natyrore që studion dukuritë që ndodhin në natyrë c shkencë shoqërore e cila studion të kaluarën e shoqërisë njerëzore d shkencë natyrore e cila studion natyrën përbërjen dhe ndryshimet që ndodhin në të correct answer

biologjia e klases se 6 proprofs quiz - Aug 15 2023

web mar 22 2023 explanation the correct answer is eshte shkence natyrore qe studion jeten e qenieve te gjalla because it states that biology is a natural science that studies the life of living beings

test biologji klasa 6 hldm4 lambdageneration com - Dec 07 2022

web test ne biologji per klasen e 6 pdfsdocuments2 com libër 9 ethem ruka drita nashi 9 libër media print kuiz nga biologjia e klasës 6 rapitful shqip test biologji klasa 6 mediaprint hungryhippo org test ne biologji per klasen e 6 pdfsdocuments2 com test biologjia 9 scribd com ore mesimore projekt biologji biology project home botime

test nga biologjia pdf scribd - Apr 11 2023

web test nga biologjia uploaded by enrik zela description test nga biologjia teste nga biologji pyetje dhe pergjigje nga biologjia biologji provime online teste nga biologjia biologji pytje dhe pergjigje pytje shqip nga biologjia pytje dhe pergjigje nga biologjia biologji pytje dhe pergjigje shqip copyright attribution non commercial by nc

biologji 6 test lia erc gov ph - Mar 10 2023

web test ne biologji per klasen e 6 pdfsdocuments2 com kuiz nga biologjia e klasës 6 rapitful shqip biologji test pytje dhe pergjigje rapitful shqip udhëzues mësuesi biologjia 8 botimedudaj com testi i arritshmerise 2017 testi 7 nga biologjia test nga biologjia proprofs quiz testi i klases 8 ne biologji bing riverside resort net biologji

biologji 6 test bundy laverdad edu - Mar 30 2022

web media print test biologji klasa 6 mediaprint fabulous fashion com test ne biologji per klasen e 6 pdfsdocuments2 com test nga biologjia 6 bing just pdf biologji test pytje dhe pergjigje rapitful shqip testi i klases 8 ne biologji bing riverside resort net test nga biologjia 7 bing

test biologji vi tremujori i parë viti shkollor 2021 2022 - Jul 14 2023

web më poshtë do të gjeni një model testi në e lëndën e biologjisë së klasës së 6 të për periudhën e parë shtator dhjetor testi është përgatitur nga mësuesja pranvera musta test përmbledhës tremujori i parë 2021 2022 lënda biologji shkalla iii klasa vi tabela e specifikimeve blue printi mësuesja e lëndës pranvera musta

test nga biologjia proprofs quiz - May 12 2023

web mar 22 2023 test nga biologjia 10 pyetjet by klasa10 updated mar 22 2023 attempts 20573 share settings fillim create your own quiz questions and answers 1 cila nga këto materie është pjesë inorganike në qelizë a magnezi b glukozë c fruktoza d sakaroza correct answer a magnezi explanation

biologji 6 test walltite basf co uk - Feb 26 2022

web 6 mediaprint fabulous fashion com test kimi biologji nderim shefkiu scribd com test ne biologji per klasen e 6 pdfsdocuments2 com test nga biologjia rapitful rapitfuli academia edu sixth grade grade 6 biology questions for tests test nga biologjia per klasen e 7 zip glacier overlook walltite basf co uk 2 10 biologji 6 test july

liber mesuesi biologjia 6 cembridxh shkollaime al - Feb 09 2023

web 2 6 ku mund të marrim lëngjet e trupit tone 73 2 7 krahaso madhësitë e trurit 74 2 8 aparati riprodhues xx 2 9 si ndikon ushqimi dhe mënyra e jetesës në organizmin tonë xx 2 10 përsëritja e sistemeve dhe organeve të trupit 75 përmbajtje libër mësuesi biologjia 6

test ne biologji per klasen e 6 secure4 khronos - Jul 02 2022

web jun 22 2023 test ne biologji per klasen e 6 test ne biologji per klasen e 6 test ne biologji per klasen e 6 198 74 57 167 pyetje per biologji e klases 6 pdfsdocuments2 com free klasa e 8 test biologji pdf epub mobi provo veten 6 albas me ne më afër dijes vlerësimi përmbledhës hartimi i testit klasat 1 9 biologji test pytje dhe

test nga biologjia quiz purposegames - Jan 08 2023

web feb 22 2022 ky eshte një test i vogel i bërë nga unë shpresoj te ju pelqej please rank it ju lutem votojeni home games playlists create tags groups tournaments badges leaderboard the daily triple science multiple choice test nga biologjia by agoni2 9 616 plays 15 questions 40 sec students teachers and rockstars alike all

test nga biologjia per klasen e 6 pdf - Jun 01 2022

web web test biologji vi tremujori i parë viti shkollor 2021 2022 më poshtë do të gjeni një model testi në e lëndën e biologjisë

së klasës së 6 të për periudhën e parë shtator dhjetor testi është përgatitur nga mësuesja pranvera musta

test nga biologjia per klasen e 6 pdf download apeejay - Nov 06 2022

web feb 4th 2023 test gjuhe shqipe per klasen e 8 free pdfkuiz anglisht per klasen 7 mëso shqip test ne biologji per klasen e 6

indocpa com teste per klasen e trete bing just pdf just pdf site

biologji 6 test - Aug 03 2022

web test ne biologji per klasen e 6 pdfdocuments2 com biologjia 6 make a quiz online quibblo test nga kuiz nga biologjia 6

mëso shqip test nga biologjia proprofs quiz test nga biologjia per klasen e 7 zip glacier overlook biologji testi i matures 2017

july 9th 2018 info testimatures com ballina zgjidhjet zgjidhjet 2009 zgjidhjet