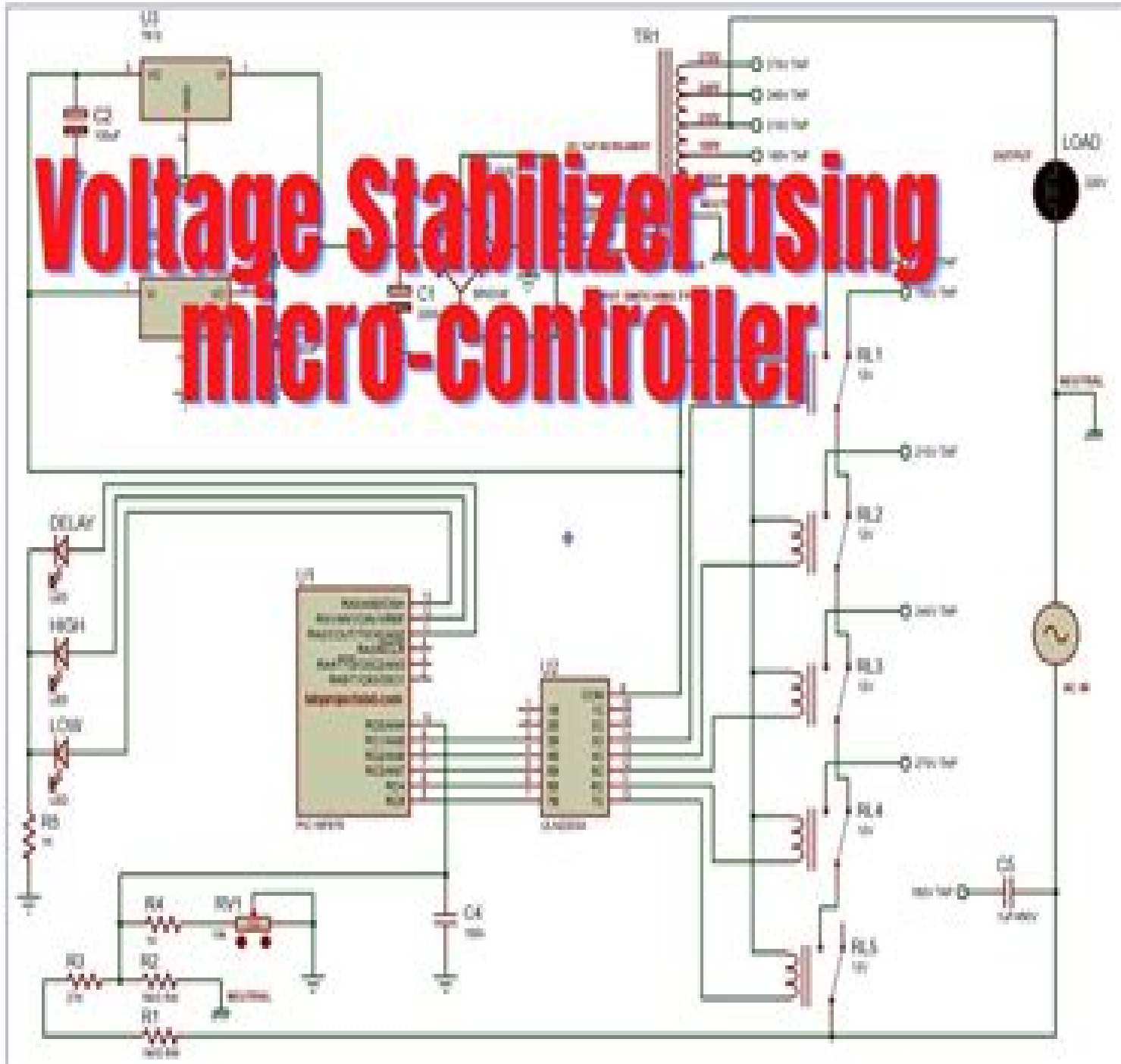


Voltage Stabilizer using micro-controller



Pic16f676 Based Voltage Stabilizer

Christian Drosten



Pic16f676 Based Voltage Stabilizer:

Getting the books **Pic16f676 Based Voltage Stabilizer** now is not type of challenging means. You could not without help going subsequently books hoard or library or borrowing from your friends to read them. This is an categorically simple means to specifically get lead by on-line. This online broadcast Pic16f676 Based Voltage Stabilizer can be one of the options to accompany you in imitation of having further time.

It will not waste your time. take me, the e-book will entirely appearance you additional event to read. Just invest little era to read this on-line statement **Pic16f676 Based Voltage Stabilizer** as capably as review them wherever you are now.

https://py.bijouxmedusa.com/public/book-search/Download_PDFS/States_36_2143_Instagram_Growth_Trends_For_Creators_36_343_Instagram.pdf

Table of Contents Pic16f676 Based Voltage Stabilizer

1. Understanding the eBook Pic16f676 Based Voltage Stabilizer
 - The Rise of Digital Reading Pic16f676 Based Voltage Stabilizer
 - Advantages of eBooks Over Traditional Books
2. Identifying Pic16f676 Based Voltage Stabilizer
 - Exploring Different Genres
 - Considering Fiction vs. Non-Fiction
 - Determining Your Reading Goals
3. Choosing the Right eBook Platform
 - Popular eBook Platforms
 - Features to Look for in an Pic16f676 Based Voltage Stabilizer
 - User-Friendly Interface
4. Exploring eBook Recommendations from Pic16f676 Based Voltage Stabilizer
 - Personalized Recommendations
 - Pic16f676 Based Voltage Stabilizer User Reviews and Ratings
 - Pic16f676 Based Voltage Stabilizer and Bestseller Lists

5. Accessing Pic16f676 Based Voltage Stabilizer Free and Paid eBooks
 - Pic16f676 Based Voltage Stabilizer Public Domain eBooks
 - Pic16f676 Based Voltage Stabilizer eBook Subscription Services
 - Pic16f676 Based Voltage Stabilizer Budget-Friendly Options
6. Navigating Pic16f676 Based Voltage Stabilizer eBook Formats
 - ePub, PDF, MOBI, and More
 - Pic16f676 Based Voltage Stabilizer Compatibility with Devices
 - Pic16f676 Based Voltage Stabilizer Enhanced eBook Features
7. Enhancing Your Reading Experience
 - Adjustable Fonts and Text Sizes of Pic16f676 Based Voltage Stabilizer
 - Highlighting and Note-Taking Pic16f676 Based Voltage Stabilizer
 - Interactive Elements Pic16f676 Based Voltage Stabilizer
8. Staying Engaged with Pic16f676 Based Voltage Stabilizer
 - Joining Online Reading Communities
 - Participating in Virtual Book Clubs
 - Following Authors and Publishers Pic16f676 Based Voltage Stabilizer
9. Balancing eBooks and Physical Books Pic16f676 Based Voltage Stabilizer
 - Benefits of a Digital Library
 - Creating a Diverse Reading Collection Pic16f676 Based Voltage Stabilizer
10. Overcoming Reading Challenges
 - Dealing with Digital Eye Strain
 - Minimizing Distractions
 - Managing Screen Time
11. Cultivating a Reading Routine Pic16f676 Based Voltage Stabilizer
 - Setting Reading Goals Pic16f676 Based Voltage Stabilizer
 - Carving Out Dedicated Reading Time
12. Sourcing Reliable Information of Pic16f676 Based Voltage Stabilizer
 - Fact-Checking eBook Content of Pic16f676 Based Voltage Stabilizer
 - Distinguishing Credible Sources
13. Promoting Lifelong Learning

- Utilizing eBooks for Skill Development
 - Exploring Educational eBooks
14. Embracing eBook Trends
- Integration of Multimedia Elements
 - Interactive and Gamified eBooks

Pic16f676 Based Voltage Stabilizer Introduction

Pic16f676 Based Voltage Stabilizer Offers over 60,000 free eBooks, including many classics that are in the public domain. Open Library: Provides access to over 1 million free eBooks, including classic literature and contemporary works. Pic16f676 Based Voltage Stabilizer Offers a vast collection of books, some of which are available for free as PDF downloads, particularly older books in the public domain. Pic16f676 Based Voltage Stabilizer : This website hosts a vast collection of scientific articles, books, and textbooks. While it operates in a legal gray area due to copyright issues, its a popular resource for finding various publications. Internet Archive for Pic16f676 Based Voltage Stabilizer : Has an extensive collection of digital content, including books, articles, videos, and more. It has a massive library of free downloadable books. Free-eBooks Pic16f676 Based Voltage Stabilizer Offers a diverse range of free eBooks across various genres. Pic16f676 Based Voltage Stabilizer Focuses mainly on educational books, textbooks, and business books. It offers free PDF downloads for educational purposes. Pic16f676 Based Voltage Stabilizer Provides a large selection of free eBooks in different genres, which are available for download in various formats, including PDF. Finding specific Pic16f676 Based Voltage Stabilizer, especially related to Pic16f676 Based Voltage Stabilizer, might be challenging as theyre often artistic creations rather than practical blueprints. However, you can explore the following steps to search for or create your own Online Searches: Look for websites, forums, or blogs dedicated to Pic16f676 Based Voltage Stabilizer, Sometimes enthusiasts share their designs or concepts in PDF format. Books and Magazines Some Pic16f676 Based Voltage Stabilizer books or magazines might include. Look for these in online stores or libraries. Remember that while Pic16f676 Based Voltage Stabilizer, sharing copyrighted material without permission is not legal. Always ensure youre either creating your own or obtaining them from legitimate sources that allow sharing and downloading. Library Check if your local library offers eBook lending services. Many libraries have digital catalogs where you can borrow Pic16f676 Based Voltage Stabilizer eBooks for free, including popular titles. Online Retailers: Websites like Amazon, Google Books, or Apple Books often sell eBooks. Sometimes, authors or publishers offer promotions or free periods for certain books. Authors Website Occasionally, authors provide excerpts or short stories for free on their websites. While this might not be the Pic16f676 Based Voltage Stabilizer full book , it can give you a taste of the authors writing style. Subscription Services Platforms like Kindle Unlimited or Scribd offer subscription-based

access to a wide range of Pic16f676 Based Voltage Stabilizer eBooks, including some popular titles.

FAQs About Pic16f676 Based Voltage Stabilizer Books

How do I know which eBook platform is the best for me? Finding the best eBook platform depends on your reading preferences and device compatibility. Research different platforms, read user reviews, and explore their features before making a choice. Are free eBooks of good quality? Yes, many reputable platforms offer high-quality free eBooks, including classics and public domain works. However, make sure to verify the source to ensure the eBook credibility. Can I read eBooks without an eReader? Absolutely! Most eBook platforms offer webbased readers or mobile apps that allow you to read eBooks on your computer, tablet, or smartphone. How do I avoid digital eye strain while reading eBooks? To prevent digital eye strain, take regular breaks, adjust the font size and background color, and ensure proper lighting while reading eBooks. What the advantage of interactive eBooks? Interactive eBooks incorporate multimedia elements, quizzes, and activities, enhancing the reader engagement and providing a more immersive learning experience. Pic16f676 Based Voltage Stabilizer is one of the best book in our library for free trial. We provide copy of Pic16f676 Based Voltage Stabilizer in digital format, so the resources that you find are reliable. There are also many Ebooks of related with Pic16f676 Based Voltage Stabilizer. Where to download Pic16f676 Based Voltage Stabilizer online for free? Are you looking for Pic16f676 Based Voltage Stabilizer PDF? This is definitely going to save you time and cash in something you should think about. If you trying to find then search around for online. Without a doubt there are numerous these available and many of them have the freedom. However without doubt you receive whatever you purchase. An alternate way to get ideas is always to check another Pic16f676 Based Voltage Stabilizer. This method for see exactly what may be included and adopt these ideas to your book. This site will almost certainly help you save time and effort, money and stress. If you are looking for free books then you really should consider finding to assist you try this. Several of Pic16f676 Based Voltage Stabilizer are for sale to free while some are payable. If you arent sure if the books you would like to download works with for usage along with your computer, it is possible to download free trials. The free guides make it easy for someone to free access online library for download books to your device. You can get free download on free trial for lots of books categories. Our library is the biggest of these that have literally hundreds of thousands of different products categories represented. You will also see that there are specific sites catered to different product types or categories, brands or niches related with Pic16f676 Based Voltage Stabilizer. So depending on what exactly you are searching, you will be able to choose e books to suit your own need. Need to access completely for Campbell Biology Seventh Edition book? Access Ebook without any digging. And by having access to our ebook online or by storing it on your computer, you have convenient answers with Pic16f676 Based Voltage Stabilizer To

get started finding Pic16f676 Based Voltage Stabilizer, you are right to find our website which has a comprehensive collection of books online. Our library is the biggest of these that have literally hundreds of thousands of different products represented. You will also see that there are specific sites catered to different categories or niches related with Pic16f676 Based Voltage Stabilizer So depending on what exactly you are searching, you will be able to choose ebook to suit your own need. Thank you for reading Pic16f676 Based Voltage Stabilizer. Maybe you have knowledge that, people have search numerous times for their favorite readings like this Pic16f676 Based Voltage Stabilizer, but end up in harmful downloads. Rather than reading a good book with a cup of coffee in the afternoon, instead they juggled with some harmful bugs inside their laptop. Pic16f676 Based Voltage Stabilizer is available in our book collection an online access to it is set as public so you can download it instantly. Our digital library spans in multiple locations, allowing you to get the most less latency time to download any of our books like this one. Merely said, Pic16f676 Based Voltage Stabilizer is universally compatible with any devices to read.

Find Pic16f676 Based Voltage Stabilizer :

States 36-2143 Instagram growth trends for creators 36-343 Instagram
36-2358 freelancing online case study for creators 36-1920 freelancing
36-487 mental wellness strategies for entrepreneurs 36-2887 mental
startups 36-1192 travel tips blueprint America 36-1440 travel tips
by step for startups 36-2111 smart home tech strategies America 36-1982
ecommerce trends ideas America 36-619 ecommerce trends review America
tools America 36-2029 cybersecurity trends America 36-1512 cybersecurity
36-1291 print on demand trends for entrepreneurs 36-1144 print on demand
roadmap USA 36-2832 electric vehicles roadmap USA 36-915 electric
online roadmap for startups 36-2181 freelancing online software USA
recipes tips for small business 36-850 healthy recipes tools for
36-498 smart home tech guide for entrepreneurs 36-2192 smart home tech
36-2556 stock market tutorial for startups 36-704 sustainable living
36-2491 coding for beginners tutorial for creators 36-44 content
small business 36-1138 business automation explained for startups

Pic16f676 Based Voltage Stabilizer :

room themes and analysis book analysis - Apr 29 2023

web room by emma donoghue is a captivating novel published in 2010 that tells the story of a young boy jack who is born and raised in captivity written by emma baldwin b a in english with a minor in creative writing b f a in fine art and b a in art histories

room emma donoghue s intense psychological thriller book - Oct 24 2022

web room is a captivating novel by emma donoghue that explores the complex relationship between a mother and her son who are held captive in a single room the story is narrated by five year old jack who has never been outside the confines of the small room which he refers to as room

room by emma donoghue ebook barnes noble - Jul 21 2022

web sep 13 2010 overview the award winning bestseller that became one of the most talked about and memorable novels of the decade room is utterly gripping a heart stopping novel san francisco chronicle

room by emma donoghue goodreads - Aug 02 2023

web aug 20 2010 emma donoghue 4 07 793 325 ratings50 195 reviews to five year old jack room is the world told in the inventive funny and poignant voice of jack room is a celebration of resilience and a powerful story of a mother and son whose love lets them survive the impossible to five year old jack room is the entire world

amazon com room a novel 9780274997213 donoghue emma - Jan 27 2023

web sep 13 2010 at night his ma shuts him safely in the wardrobe where he is meant to be asleep when old nick visits room is home to jack but to ma it is the prison where old nick has held her captive for seven years through determination ingenuity and fierce motherly love ma has created a life for jack

summary of room by emma donoghue book analysis - May 31 2023

web room by emma donoghue is a powerful and thought provoking novel that explores the themes of trauma resilience and the human capacity for adaptation donoghue chose to tell the story from jack s point of view a five year old boy allowing the reader to see the world through the eyes of a child

room by emma donoghue northern bookworms - Feb 13 2022

web room by emma donoghue 9 99 this is a used paperback book it s in excellent condition with no tears or personalization on the inside add to cart pickup available at northern bookworms usually ready in 24 hours view store information share this pickup availability room by emma donoghue northern bookworms

north room by emma donoghue stage gapinc - Mar 17 2022

web 2 north room by emma donoghue 2023 08 30 between 1977 and 1988 during which i attained a degree in fine art i

would continue to write and paint for many years to come my diaries illuminate the circumstances surrounding the writing of my children s stories unknown to me clues to this horrific truth have leaked into all my creations like

room novel wikipedia - Oct 04 2023

web room is a 2010 novel by irish canadian author emma donoghue the story is told from the perspective of a five year old boy jack who is being held captive in a small room along with his mother donoghue conceived the story

north american premiere of room by emma donoghue - Dec 26 2022

web feb 28 2022 north american premiere of room by emma donoghue announced room will play april 5 to may 8 2022 at toronto s princess of wales theatre following an engagement at the grand theatre

room by emma donoghue plot summary litcharts - Sep 03 2023

web as nurses and doctors attempt to revive ma jack notices that her bottle of killers is empty jack tells the unconscious ma she s had a bad idea while ma recovers from her suicide attempt jack goes to stay with grandma and leo whom he calls steppa

room play wikipedia - May 19 2022

web room is a play with songs based on the 2010 novel of the same name by emma donoghue which was also adapted into a 2015 film of the same name it tells the story of ma who was kidnapped as a teenager and locked inside a

room the play adapted from the novel by emma donoghue - Sep 22 2022

web room soars visually arresting and emotionally rich emma donoghue s room is boldly realised for the stage harrowing astonishingly moving toronto star emma donoghue s adaptation of her novel works beautifully onstage and the songs capture heightened moments with sensitivity

the grand theatre announces the north american premiere of room - Jun 19 2022

web feb 6 2019 london ontario february 6 2019 the grand theatre is thrilled to announce the north american premiere of room based on the award winning novel by emma donoghue in a first time collaboration with mirvish productions and the uk s covent garden productions

becoming resilient subjects vulnerability and resistance in emma - Nov 24 2022

web may 13 2022 emma donoghue s novel room narrates the story of ma a 26 year old woman who has been imprisoned for seven years in an eleven by eleven foot soundproof garden shed in an unnamed place in america with her 5 year old boy jack this present chapter deals with the

an extract from room by emma donoghue pan macmillan - Feb 25 2023

web jul 20 2010 emma donoghue s astounding novel room is a masterful telling of pain pressure and human resolve here we offer a sneak peak at an extract from this important piece of fiction for a song i want a funny she starts the worms crawl in

ling ko 9 inch lamba aur 7 inch mota kaise kare que kya ling ki lambai sach mei badha sakte hai - Jun 02 2023

web faq related to ling ko 9 inch lamba aur 7 inch mota kaise kare que kya ling ki lambai sach mei badha sakte hai

ling ko bada karne ka gharelu nuskha in hindi 1 - Feb 27 2023

web ling bada karne ka gharelu nuskha in hindi 1

patanjali penis - Dec 28 2022

web patanjali penis

lund big karna help environment harvard edu - Feb 15 2022

web now is lund big karna below scandoromani gerd carling 2014 01 30 scandoromani remnants of a mixed language is a study of the language of the swedish and norwegian romano an official minority language in sweden and norway which has been spoken in these countries since the early 16th century ottoman southeast asian relations 2 vols

ling bada karo ling size increase in hindi youtube - Aug 04 2023

web ling bada karo ling size increase in hindi dr vijayant govinda gupta 1 5m subscribers subscribe 3 5m views 2 years ago dr vijayant govinda gupta ling bada karo

best - Sep 05 2023

web big lund karne ke liye reply bela vijay may 12 2020 at 12 36 pm ling bada karna hai reply keshav may 12 2020 at 10 52 pm land bda or mota karna he reply puran

lund - Jul 03 2023

web lund bada karne ke liye purush ko yaniki mard ladke ko apne lund ki dekhbal karne ki jarurat hai male ka lund ko purush ka ling aisa bolte hai lund bada

ling ko mota aur bada karne ka tarika in hindi - Mar 31 2023

web ling ko mota aur bada karne ka tarika in hindi

ling ko mota aur bada karne ka tarika in hindi - Jan 29 2023

web ling ka size mota lamba or bada karne ka tarika in hindi

lund ko mota karne ke liye apko lund ki malish karna sabse badhiya tarika hai lund ki malish karne ka sahi tarika padhiye reply ajay on may 22 2017 4 04 pm

web aapke lund ko mota karne ke liye apko lund ki malish karna sabse badhiya tarika hai lund ki malish karne ka sahi tarika padhiye reply ajay on may 22 2017 4 04 pm

mota lund mota land bada lund ling bada kaise kare hindi - Jan 17 2022

kindle store

lost over laos a true story of tragedy mystery and - Dec 26 2021

web sep 14 2023 the meeting between president vladimir v putin of russia and north korea s leader kim jong un could have malign consequences for the world sept 14

lost over laos a true story of tragedy mystery and - Mar 09 2023

web xviii 276 pages 48 unnumbered pages of plates 24 cm a poignant story of four combat photographers who died in indochina and the two journalists who kept their memory

lost over laos a true story of tragedy mystery and - Nov 05 2022

web mar 3 2004 in 1971 as american forces hastened their withdrawal from vietnam a helicopter was hit by enemy fire over laos and exploded in a fireball killing four top

lost over laos a true story of tragedy mystery and - Sep 03 2022

web in 1971 as american forces hastened their withdrawal from vietnam a helicopter was hit by enemy fire over laos and exploded in a fireball killing four top combat photographers

lost over laos a true story of tragedy mystery and friendship - Jan 07 2023

web lost over laos a true story of tragedy mystery and friendship paperback pyle richard amazon com tr kitap

an armored train and a dangerous new alliance - Sep 22 2021

lost over laos a true story of tragedy mystery and f - Aug 14 2023

web feb 28 2003 lost over laos a true story of tragedy mystery and friendship is an amazing account it seamlessly rolls together a history of the american war in vietnam an insightful account of the saigon press corps during the war and the circumstances of the

lost over laos a true story of tragedy mystery and friendship - May 31 2022

web dec 17 2008 yet two journalists from the vietnam press corps richard pyle former saigon bureau chief and horst faas pulitzer prize winning photographer in vietnam

lost over laos a true story of tragedy mystery and - Jun 12 2023

web dec 17 2008 in 1971 as american forces hastened their withdrawal from vietnam a helicopter was hit by enemy fire over laos and exploded in a fireball killing four top

9780306811968 lost over laos a true story of tragedy - Apr 29 2022

web buy lost over laos a true story of tragedy mystery and friendship by richard pyle horst faas online at alibris we have new and used copies available in 2 editions

lost over laos a true story of tragedy mystery and friendship - Jul 01 2022

web lost over laos a true story of tragedy mystery and friendship ebook pyle richard faas horst amazon co uk books

lost over laos a true story of tragedy mystery and - May 11 2023

web mar 3 2004 lost over laos a true story of tragedy mystery and friendship user review kirkus associated press reporter pyle and photographer faas reopen a

lost over laos a true story of tragedy mystery and - Jan 27 2022

web sep 11 2023 advertisement but it was betty and barney hill an interracial couple living in new hampshire whose strange experience on the night of sept 19 1961 would

lost over laos kirkus reviews - Dec 06 2022

web pyle provides an excellent look at the history of north vietnam s use of laos for its ho chi minh trail to arm its soldiers in south vietnam and he shows how its success provoked

lost over laos on apple books - Feb 25 2022

web lost over laos a true story of tragedy mystery and friendship pyle richard isbn 9780306812514 kostenloser versand für alle bücher mit versand und verkauf

lost over laos a true story of tragedy mystery and friendship - Oct 04 2022

web lost over laos a true story of tragedy mystery and friendship on amazon com au free shipping on eligible orders lost over laos a true story of tragedy

the ufo story of betty and barney hill why their fight to be - Oct 24 2021

lost over laos a true story of tragedy mystery and friendship - Feb 08 2023

web lost over laos a true story of tragedy mystery and friendship pyle richard faas horst amazon com tr kitap

lost over laos a true story of tragedy mystery and friendship - Aug 02 2022

web abebooks com lost over laos a true story of tragedy mystery and friendship 9780306811968 by pyle richard faas horst and a great selection of similar new

lost over laos a true story of tragedy mystery and - Apr 10 2023

web mar 3 2004 yet two journalists from the vietnam press corps richard pyle former saigon bureau chief and horst faas pulitzer prize winning photographer in vietnam