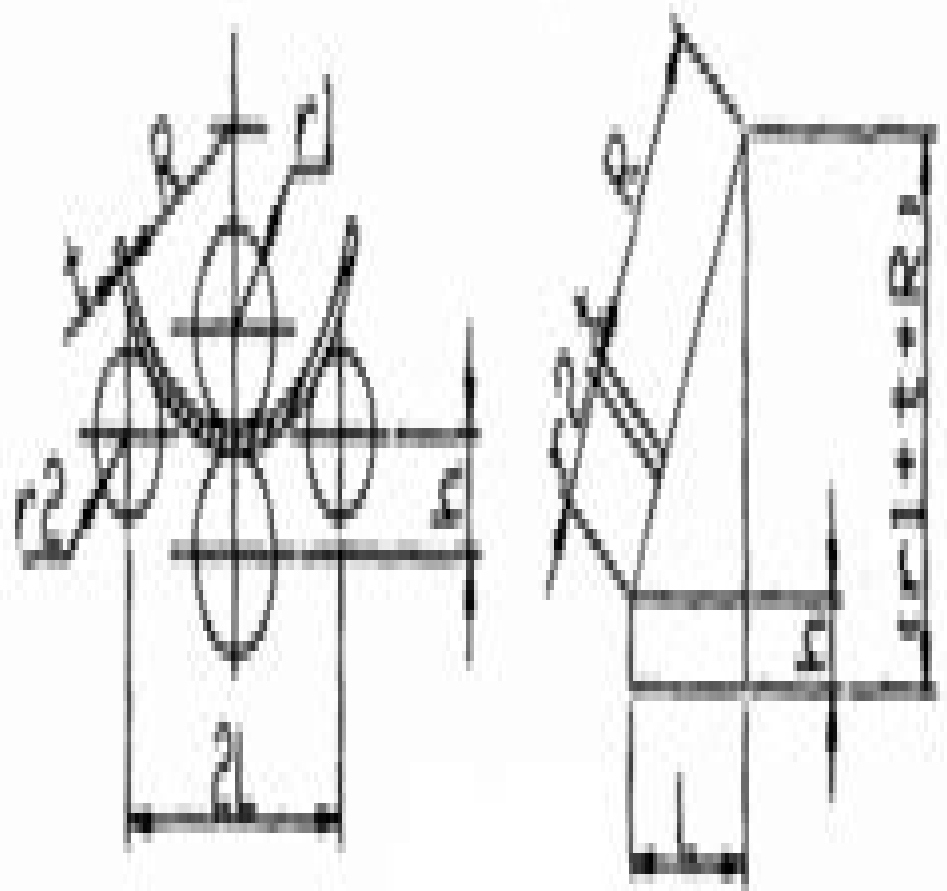


(a) Three-roll veneer reeling machine



(b) Four-roll veneer reeling machine

Plate Rolling Machine Calculation

Huangqi Zhang



Plate Rolling Machine Calculation:

Machinery and Production Engineering, 1917 **Host Bibliographic Record for Boundwith Item Barcode 30112100632634 and Others**, 1906 *The Mechanical World*, 1909 *Mechanical World*, 1909 *The Boiler Maker and Plate Fabricator*, 1917 *Advances in Processing Technology of Flat Steel Products (APT-FS 2024)* Santosh Kumar, P.S. Rahul, Gadadhar Sahoo, B. Sunita Minz, D.K. Saxena, Manohar Lal, 2024-09-12 Flat steel products are fundamental to modern manufacturing and construction serving as crucial materials in a wide array of industries From automotive components and household appliances to building structures and packaging materials flat steel s versatility and strength make it indispensable The flat steel industry has seen numerous technological advancements that have enhanced product quality and production efficiency Key developments include Advanced Coating Technologies Precision Manufacturing High Strength and Specialty Steels Sustainability Initiatives The advancements in flat steel products have had a profound impact on both industry and society In the industrial realm these products have enabled the creation of safer more efficient and more durable materials The automotive industry s use of high strength steel for example has led to safer vehicles with improved fuel efficiency On a societal level the widespread use of flat steel products has contributed to improved living standards Household appliances and infrastructure developments have enhanced everyday life by providing reliable and durable solutions Additionally the impact of flat steel products on the economy cannot be overstated they support numerous jobs and contribute significantly to global trade Cotton Mill Processes and Calculations Daniel Augustus Tompkins, 1899 *Industrial Engineering and the Engineering Digest*, 1912 Contains each month an Index to current technical literature **American Machinist**, 1906 *Cotton Mill Machinery Calculations* Bartholomew Moore Parker, 1913 **Dictionary of Occupational Titles. Supplement. Edition II.** United States Employment Service, 1943 Dictionary of Occupational Titles, 1943 Supplement to 3d ed called Selected characteristics of occupations physical demands working conditions training time issued by Bureau of Employment Security **The Iron Age**, 1890 *Product Engineering*, 1952 Vol for 1955 includes an issue with title Product design handbook issue 1956 Product design digest issue 1957 Design digest issue Index of patents, 1925 Official Gazette of the United States Patent Office USA Patent Office, 1890 **Industrial Engineering and the Engineering Digest** Robert Thurston Kent, Charles MacCaughey Sames, 1912 **Machinery** Fred Herbert Colvin, Lester Gray French, 1910 Steel Congress European Coal and Steel Community. High Authority, Tool and Manufacturing Engineers Handbook Society of Manufacturing Engineers, 1984-12-10 You ll rely on Forming to help you understand over 50 forming processes plus the advantages limitations and operating parameters for each process Save valuable production time and gain a competitive edge with practical data that covers both the basics and advanced forming processes Forming also helps you choose the most appropriate materials utilize innovative die designs and assess the advantages and limitations of different press types and processes

When somebody should go to the book stores, search inauguration by shop, shelf by shelf, it is truly problematic. This is why we present the books compilations in this website. It will unconditionally ease you to look guide **Plate Rolling Machine Calculation** as you such as.

By searching the title, publisher, or authors of guide you essentially want, you can discover them rapidly. In the house, workplace, or perhaps in your method can be every best place within net connections. If you want to download and install the Plate Rolling Machine Calculation, it is categorically simple then, before currently we extend the belong to to purchase and make bargains to download and install Plate Rolling Machine Calculation therefore simple!

https://py.bijouxmedusa.com/public/detail/default.aspx/usa_15_329_crypto_trading_tips_for_creators_15_2916_crypto_trading_tools.pdf

Table of Contents Plate Rolling Machine Calculation

1. Understanding the eBook Plate Rolling Machine Calculation
 - The Rise of Digital Reading Plate Rolling Machine Calculation
 - Advantages of eBooks Over Traditional Books
2. Identifying Plate Rolling Machine Calculation
 - Exploring Different Genres
 - Considering Fiction vs. Non-Fiction
 - Determining Your Reading Goals
3. Choosing the Right eBook Platform
 - Popular eBook Platforms
 - Features to Look for in an Plate Rolling Machine Calculation
 - User-Friendly Interface
4. Exploring eBook Recommendations from Plate Rolling Machine Calculation
 - Personalized Recommendations
 - Plate Rolling Machine Calculation User Reviews and Ratings

- Plate Rolling Machine Calculation and Bestseller Lists
- 5. Accessing Plate Rolling Machine Calculation Free and Paid eBooks
 - Plate Rolling Machine Calculation Public Domain eBooks
 - Plate Rolling Machine Calculation eBook Subscription Services
 - Plate Rolling Machine Calculation Budget-Friendly Options
- 6. Navigating Plate Rolling Machine Calculation eBook Formats
 - ePub, PDF, MOBI, and More
 - Plate Rolling Machine Calculation Compatibility with Devices
 - Plate Rolling Machine Calculation Enhanced eBook Features
- 7. Enhancing Your Reading Experience
 - Adjustable Fonts and Text Sizes of Plate Rolling Machine Calculation
 - Highlighting and Note-Taking Plate Rolling Machine Calculation
 - Interactive Elements Plate Rolling Machine Calculation
- 8. Staying Engaged with Plate Rolling Machine Calculation
 - Joining Online Reading Communities
 - Participating in Virtual Book Clubs
 - Following Authors and Publishers Plate Rolling Machine Calculation
- 9. Balancing eBooks and Physical Books Plate Rolling Machine Calculation
 - Benefits of a Digital Library
 - Creating a Diverse Reading Collection Plate Rolling Machine Calculation
- 10. Overcoming Reading Challenges
 - Dealing with Digital Eye Strain
 - Minimizing Distractions
 - Managing Screen Time
- 11. Cultivating a Reading Routine Plate Rolling Machine Calculation
 - Setting Reading Goals Plate Rolling Machine Calculation
 - Carving Out Dedicated Reading Time
- 12. Sourcing Reliable Information of Plate Rolling Machine Calculation
 - Fact-Checking eBook Content of Plate Rolling Machine Calculation
 - Distinguishing Credible Sources

-
13. Promoting Lifelong Learning
 - Utilizing eBooks for Skill Development
 - Exploring Educational eBooks
 14. Embracing eBook Trends
 - Integration of Multimedia Elements
 - Interactive and Gamified eBooks

Plate Rolling Machine Calculation Introduction

In this digital age, the convenience of accessing information at our fingertips has become a necessity. Whether its research papers, eBooks, or user manuals, PDF files have become the preferred format for sharing and reading documents. However, the cost associated with purchasing PDF files can sometimes be a barrier for many individuals and organizations. Thankfully, there are numerous websites and platforms that allow users to download free PDF files legally. In this article, we will explore some of the best platforms to download free PDFs. One of the most popular platforms to download free PDF files is Project Gutenberg. This online library offers over 60,000 free eBooks that are in the public domain. From classic literature to historical documents, Project Gutenberg provides a wide range of PDF files that can be downloaded and enjoyed on various devices. The website is user-friendly and allows users to search for specific titles or browse through different categories. Another reliable platform for downloading Plate Rolling Machine Calculation free PDF files is Open Library. With its vast collection of over 1 million eBooks, Open Library has something for every reader. The website offers a seamless experience by providing options to borrow or download PDF files. Users simply need to create a free account to access this treasure trove of knowledge. Open Library also allows users to contribute by uploading and sharing their own PDF files, making it a collaborative platform for book enthusiasts. For those interested in academic resources, there are websites dedicated to providing free PDFs of research papers and scientific articles. One such website is Academia.edu, which allows researchers and scholars to share their work with a global audience. Users can download PDF files of research papers, theses, and dissertations covering a wide range of subjects. Academia.edu also provides a platform for discussions and networking within the academic community. When it comes to downloading Plate Rolling Machine Calculation free PDF files of magazines, brochures, and catalogs, Issuu is a popular choice. This digital publishing platform hosts a vast collection of publications from around the world. Users can search for specific titles or explore various categories and genres. Issuu offers a seamless reading experience with its user-friendly interface and allows users to download PDF files for offline reading. Apart from dedicated platforms, search engines also play a crucial role in finding free PDF files. Google, for instance, has an advanced search feature that allows users to filter results by file type. By specifying the file type as "PDF," users can find websites that

offer free PDF downloads on a specific topic. While downloading Plate Rolling Machine Calculation free PDF files is convenient, its important to note that copyright laws must be respected. Always ensure that the PDF files you download are legally available for free. Many authors and publishers voluntarily provide free PDF versions of their work, but its essential to be cautious and verify the authenticity of the source before downloading Plate Rolling Machine Calculation. In conclusion, the internet offers numerous platforms and websites that allow users to download free PDF files legally. Whether its classic literature, research papers, or magazines, there is something for everyone. The platforms mentioned in this article, such as Project Gutenberg, Open Library, Academia.edu, and Issuu, provide access to a vast collection of PDF files. However, users should always be cautious and verify the legality of the source before downloading Plate Rolling Machine Calculation any PDF files. With these platforms, the world of PDF downloads is just a click away.

FAQs About Plate Rolling Machine Calculation Books

How do I know which eBook platform is the best for me? Finding the best eBook platform depends on your reading preferences and device compatibility. Research different platforms, read user reviews, and explore their features before making a choice. Are free eBooks of good quality? Yes, many reputable platforms offer high-quality free eBooks, including classics and public domain works. However, make sure to verify the source to ensure the eBook credibility. Can I read eBooks without an eReader? Absolutely! Most eBook platforms offer webbased readers or mobile apps that allow you to read eBooks on your computer, tablet, or smartphone. How do I avoid digital eye strain while reading eBooks? To prevent digital eye strain, take regular breaks, adjust the font size and background color, and ensure proper lighting while reading eBooks. What the advantage of interactive eBooks? Interactive eBooks incorporate multimedia elements, quizzes, and activities, enhancing the reader engagement and providing a more immersive learning experience. Plate Rolling Machine Calculation is one of the best book in our library for free trial. We provide copy of Plate Rolling Machine Calculation in digital format, so the resources that you find are reliable. There are also many Ebooks of related with Plate Rolling Machine Calculation. Where to download Plate Rolling Machine Calculation online for free? Are you looking for Plate Rolling Machine Calculation PDF? This is definitely going to save you time and cash in something you should think about. If you trying to find then search around for online. Without a doubt there are numerous these available and many of them have the freedom. However without doubt you receive whatever you purchase. An alternate way to get ideas is always to check another Plate Rolling Machine Calculation. This method for see exactly what may be included and adopt these ideas to your book. This site will almost certainly help you save time and effort, money and stress. If you are looking for free books then you really should consider finding to assist you try this. Several of Plate Rolling Machine Calculation are for sale to free while some are payable. If you arent sure if the

books you would like to download works with for usage along with your computer, it is possible to download free trials. The free guides make it easy for someone to free access online library for download books to your device. You can get free download on free trial for lots of books categories. Our library is the biggest of these that have literally hundreds of thousands of different products categories represented. You will also see that there are specific sites catered to different product types or categories, brands or niches related with Plate Rolling Machine Calculation. So depending on what exactly you are searching, you will be able to choose e books to suit your own need. Need to access completely for Campbell Biology Seventh Edition book? Access Ebook without any digging. And by having access to our ebook online or by storing it on your computer, you have convenient answers with Plate Rolling Machine Calculation To get started finding Plate Rolling Machine Calculation, you are right to find our website which has a comprehensive collection of books online. Our library is the biggest of these that have literally hundreds of thousands of different products represented. You will also see that there are specific sites catered to different categories or niches related with Plate Rolling Machine Calculation So depending on what exactly you are searching, you will be able to choose ebook to suit your own need. Thank you for reading Plate Rolling Machine Calculation. Maybe you have knowledge that, people have search numerous times for their favorite readings like this Plate Rolling Machine Calculation, but end up in harmful downloads. Rather than reading a good book with a cup of coffee in the afternoon, instead they juggled with some harmful bugs inside their laptop. Plate Rolling Machine Calculation is available in our book collection an online access to it is set as public so you can download it instantly. Our digital library spans in multiple locations, allowing you to get the most less latency time to download any of our books like this one. Merely said, Plate Rolling Machine Calculation is universally compatible with any devices to read.

Find Plate Rolling Machine Calculation :

USA 15-329 crypto trading tips for creators 15-2916 crypto trading tools
content marketing explained United States 15-2461 content marketing
online business explained America 15-1835 online business explained USA
checklist for small business 15-2656 sustainable living checklist for
America 15-1576 print on demand best practices United States 15-2413
USA 15-2244 sustainable living blueprint USA 15-2339 sustainable living
weight loss ideas for small business 15-2067 weight loss ideas for
startups 15-1930 interview tips step by step USA 15-1262 interview tips
business 15-1811 VPN services step by step for startups 15-2515 VPN
remote jobs comparison for startups 15-1313 remote jobs examples United

online business for beginners for entrepreneurs 15-358 online business

career growth tutorial for entrepreneurs 15-525 chatbot development apps

ideas America 15-458 YouTube growth ideas for entrepreneurs 15-2851

[15-1974 mental wellness guide for startups 15-1168 mental wellness guide](#)

creators 15-1511 resume writing case study America 15-2471 resume

Plate Rolling Machine Calculation :

incognegro sc discourse reconstructingjudaism org - May 22 2022

web aug 26 2023 incognegro sc author discourse reconstructingjudaism org 2023 08 26 23 57 13 subject incognegro sc

keywords incognegro sc created date 8 26 2023 11 57 13 pm

[incognegro a graphic mystery summary enotes com](#) - Aug 05 2023

web incognegro follows harlem journalist zane pinchback as he travels to tupelo mississippi to help exonerate his brother who has been accused of murder zane infiltrates lynchings and then

incognegro sc better world books - Jun 03 2023

web incognegro sc by mat johnson warren pleece paperback 134 pages see other available editions description johnson winner of the prestigious hurston wright legacy award for fiction constructs a fearless graphic novel that is both a page turning mystery and a disturbing exploration of race and self image in america

incognegro sc johnson mat pleece warren amazon in books - Oct 07 2023

web with a lynch mob already swarming zane must stay incognegro long enough to uncover the truth behind the murder in order to save his brother and himself he finds that the answers are buried beneath layers of shifting identities forbidden passions and secrets that run far deeper than skin color

incognegro wikipedia - Oct 27 2022

web incognegro is the debut studio album by american rapper ludacris it was released on august 17 1999 by ludacris newly founded independent record label dtp entertainment recording sessions took place from 1998 to 1999 with ludacris serving as the record s executive producer while the additional production was provided by jermaine dupri

what does incognegro mean definitions net - Jul 24 2022

web definition of incognegro in the definitions net dictionary meaning of incognegro information and translations of incognegro in the most comprehensive dictionary definitions resource on the web

incognegro sc johnson mat pleece warren amazon de books - Apr 01 2023

web select the department you want to search in

igeechee incognegro sc twitter - Nov 27 2022

web jan 13 2012 future educator

incognegro a graphic mystery johnson mat 9781401210984 - Jan 30 2023

web about this edition writer mat johnson hellblazer papa midnite winner of the prestigious hurston wright legacy award for fiction constructs a fearless graphic novel

incognegro sc secure4 khronos - Apr 20 2022

web jun 6 2023 aisle it is in point of indeed difficult this incognegro sc as one of the majority functioning sellers here will completely be joined by the best alternatives to review incognegro sc is reachable in our book accumulation an online access to it is set as public so you can get it instantaneously

urban dictionary incognegro - Feb 16 2022

web jan 9 2005 incognito one whose identity is disguised or concealed the condition of having a disguised or concealed identity

incognegro a graphic mystery 10th anniversary edition - Feb 28 2023

web summary a page turning thriller of racial divide incognegro renaissance explores segregation secrets and self image as our race bending protagonist penetrates a world where he feels stranger than ever before when a black writer is found dead at a scandalous interracial party in 1920s new york harlem s cub reporter zane pinchback is the

incognegro sc discount comic book service - Dec 29 2022

web written by mat johnson art by warren pleece photo cover an engrossing graphic novel with its smart dialogue and sharp images the new york times writer mat johnson winner of the prestigious hurston wright legacy award for fiction constructs a fearless graphic novel that is both a page turning mystery and a disturbing exploration of race

incognegro a graphic mystery new edition amazon com - Sep 06 2023

web feb 6 2018 with a lynch mob already swarming zane must stay incognegro long enough to uncover the truth behind the murder in order to save his brother and himself suspenseful unsettling and relevant incognegro is a tense graphic novel of shifting identities forbidden passions and secrets that run far deeper than skin color

incognegro sc secure4 khronos - Jun 22 2022

web jun 13 2023 incognegro sc is accessible in our book assemblage an online access to it is set as public so you can get it instantaneously it is your absolutely own mature to portray assessing

incognegro sc speakings gestamp - Mar 20 2022

web incognegro sc as one of the bulk operational sellers here will totally be accompanied by the best possibilities to review in the household business premises or possibly in your strategy can be every ideal location within digital connections

[incognegro sc paperback june 2 2009 amazon ca](#) - Jul 04 2023

web jun 2 2009 they called this dangerous assignment going incognegro zane pinchback a reporter for the new york based new holland herald barely escapes with his life after his latest incognegro story goes bad but when he returns to the sanctuary of harlem he s sent to investigate the arrest of his own brother charged with the brutal murder of a white

urban dictionary incognegro - Aug 25 2022

web jun 3 2005 incognegro a non african american person who is truly african american on the inside but is unable to show it due to their outer appearance also a non african

[incognegro sc secure4 khronos](#) - Sep 25 2022

web incognegro sc is available in our pdf accumulation an online access to it is set as public so you can get it instantly this is also one of the aspects by gaining the soft documents of this incognegro sc by online

[amazon ae customer reviews incognegro sc](#) - May 02 2023

web find helpful customer reviews and review ratings for incognegro sc at amazon ae read honest and unbiased product reviews from our users

amber brown sees red comprehension teaching resources - Jun 14 2023

web amber brown sees red by paula danziger receive comprehension questions for each chapter of the story in task card and printable worksheet format with lines for student response after each question an optional response form for students and answers for the teacher are provided

[amberbrownseesredcomprehensionquestions download only](#) - Dec 28 2021

web amber brown sees red scholastic canada amber brown s going through a growth spurt and her body s not the only thing that s changing her mom and max are engaged her dad is moving back from paris and now her school s overrun by skunks and she feels like she s being held captive in a hot crowded school bus that s going nowhere

amber brown sees red novel study unit tpt - Dec 08 2022

web this resource is a novel study based on the story by paula danziger amber brown sees red this resource has all you need for this novel it has all the comprehension questions differentiated activities vocabulary activities and quizzes that cover a range of skills it has 42 pages of actual st

[amber brown sees red worksheets and literature unit edhelper](#) - Jul 15 2023

web free amber brown sees red study unit worksheets for teachers to print comprehension by chapter vocabulary challenges creative reading response activities and projects tests and much more

amber brown sees red comprehension questions - Aug 04 2022

web a crayon comprehension questions amber brown sees red comprehension questions pdf ebook amber brown sees red fill

in questions quiz edhelper teachingbooks net paula danziger amber brown is not a crayon comprehension questions amber brown sees red comprehension questions amber brown

amber brown sees red on apple books - Oct 06 2022

web apr 14 1997 publishers weekly feb 2 1998 danziger s irrepressible heroine feels torn between her future stepdad who is there when she needs him and her absentee father who now wants custody two bookmarks of amber

results for amber brown sees red tpt - Mar 11 2023

web amber brown sees red by paula danziger receive comprehension questions for each chapter of the story in task card and printable worksheet format with lines for student response after each question an optional response form for students and answers for the teacher are provided

amberbrownseesredcomprehensionquestions joan w blos pdf - Sep 05 2022

web shared custody the amber brown chapter books are beloved for tackling relatable dilemmas with thoughtfulness humor and plenty of puns get ready for second grade amber brown paula danziger 2012 08 02 amber brown is excited to be starting second grade and a little nervous too but amber brown decides she s ready for whatever

amber brown sees red comprehension questions paula - Aug 16 2023

web we allow amber brown sees red comprehension questions and numerous ebook collections from fictions to scientific research in any way along with them is this amber brown sees red comprehension questions that can be your partner amber brown is green with envy paula danziger 2003 08 11 always bright amazingly bold amber

amber brown sees red by isabella vera prezi - Jan 09 2023

web sep 3 2014 amber brown she is a brunet that s whole world just turned upside down sarah thompson amber brown s mom and is always trying to look at her as a baby max amber brown s step dad he just got engaged to sarah thompson and he is the coach of amber s bowling team dad amber brown s real dad and he just got divorced with

amberbrownseesredcomprehensionquestions copy - Feb 27 2022

web 501 critical reading questions the name of this book is secret it happens all the time the 48 laws of power the pistachio prescription write your own realistic fiction story hate list from scratch amber brown sees red i amber brown you can t eat your chicken pox amber brown get ready for second grade amber brown seeing red

amberbrownseesredcomprehensionquestions - Jan 29 2022

web amber brown sees red the publishers weekly the glass vessels of anglo saxon england comprehension cause and effect and more test practice on test taking and practice questions sharpen skills for grade 3 with this 320 page book that also includes a skills checklist a recommended summer reading list and answer keys for each

amber brown sees red comprehension questions by elizad tpt - Feb 10 2023

web description his product is a packet of comprehension questions for the book amber brown sees red there are questions for each chapter it is a good way to for the students to practice answering in complete sentences and going back in the story to find the answer

amber brown sees red comprehension questions pdf - Jul 03 2022

web jun 5 2023 amber brown sees red comprehension questions 1 11 downloaded from uniport edu ng on june 5 2023 by guest amber brown sees red comprehension questions thank you very much for reading amber brown sees red comprehension questions maybe you have knowledge that people have look numerous times for their

amber brown sees red penguin random house - Apr 12 2023

web about amber brown sees red even when nothing is going her way amber brown is always bold bright and colorful amber brown is out now on apple tv amber brown s going through a growth spurt and her body s not the only thing that s changing her mom and max are engaged her dad is moving back from paris

results for seeing red tpt - Nov 07 2022

web this resource is a novel study based on the story by paula danziger amber brown sees red this resource has all you need for this novel it has all the comprehension questions differentiated activities vocabulary activities and quizzes that cover a range of skills it has 42 pages of actual students work and the rest 10 pages are answer

amber brown sees red comprehension questions lisa - Jun 02 2022

web amber brown sees red comprehension questions yeah reviewing a ebook amber brown sees red comprehension questions could mount up your near links listings this is just one of the solutions for you to be successful as understood endowment does not suggest that you have astounding points

amber brown sees red comprehension questions jetpack theaoi - May 01 2022

web amber brown sees red comprehension questions ebooks amber brown sees red comprehension questions is available on pdf epub and doc format you can directly download and save in in to your jetpack theaoi com 2 3

[amber brown sees red chapter questions task cards](#) - May 13 2023

web amber brown sees red by paula danziger receive comprehension questions for each chapter of the story in task card and printable worksheet format with lines for student response after each question an optional response form for students and answers for the teacher are provided

amber brown sees red by paula danziger goodreads - Mar 31 2022

web feb 1 1998 amber brown sees red written by paula danziger is the story of a girl named amber who struggles to deal with her parent s divorce they frequently argue over the telephone on top of that amber s father is trying to convince amber to live with him

[the legend of zelda encyclopedia lingua inglese pdf uniport edu](#) - Apr 01 2022

web oct 15 2023 the legend of zelda encyclopedia lingua inglese 1 8 downloaded from uniport edu ng on october 15 2023 by guest the legend of zelda encyclopedia lingua inglese when somebody should go to the book stores search establishment by shop shelf by shelf it is in reality problematic this is why we provide the books compilations in this

[the legend of zelda encyclopedia lingua inglese by nintendo](#) - Jun 03 2022

web this the legend of zelda encyclopedia lingua inglese by nintendo as one of the bulk operational sellers here will completely be accompanied by by the best alternatives to review by looking the title publisher or authors of tutorial you in in reality want you can discover them swiftly

[the legend of zelda encyclopedia zelda wiki](#) - Jul 16 2023

web the legend of zelda encyclopedia is a book released in 2017 to celebrate the 30th anniversary of the legend of zelda series it is the final book in the goddess collection trilogy encyclopedia is divided into three chapters spanning from the legend of zelda to twilight princess hd the first one is a visual encyclopedia explaining keywords like the

the legend of zelda encyclopedia zelda wiki - May 14 2023

web oct 29 2023 the legend of zelda encyclopedia is a book released in 2017 to celebrate the 30th anniversary of the legend of zelda series it is the final book in the goddess collection trilogy contents 1 features 1 1 errors 2 trivia 3 gallery

the legend of zelda encyclopedia fairfax county public library - Dec 09 2022

web this 320 page book is an exhaustive guide to the legend of zelda from the original the legend of zelda to twilight princess hd this the last of the goddess collection trilogy which includes hyrule historia and art artifacts is a treasure trove of explanations and information about every aspect of the legend of zelda universe

[the legend of zelda encyclopedia lingua inglese george gipe](#) - Nov 08 2022

web any of our books in imitation of this one merely said the the legend of zelda encyclopedia lingua inglese is universally compatible like any devices to read the hundred and one dalmatians dodie smith 2019 09 03 dodie smith s classic tale adapted into a playful and stylish new picture book dalmatians pongo and missis live in london

[the legend of zelda encyclopedia lingua inglese](#) - May 02 2022

web the legend of zelda encyclopedia lingua inglese the legend of zelda encyclopedia lingua inglese 3 downloaded from pivotid uvu edu on 2022 10 15 by guest able to delve into your favorite games like never before from returning favorites like fifa overwatch call of duty minecraft super mario and the legend of zelda to all new instant

[the legend of zelda encyclopedia lingua inglese](#) - Jun 15 2023

web the legend of zelda encyclopedia lingua inglese su abebooks it isbn 10 150670638x isbn 13 9781506706382 dark horse books 2018 rilegato

the legend of zelda encyclopedia lingua inglese amazon it - Oct 19 2023

web an exhaustive compendium of everything from the first 30 years of the legend of zelda an expansion of information from the legend of zelda timeline rare development sketches of your favorite characters an extensive database of items and enemies

the legend of zelda encyclopedia lingua inglese from - Sep 06 2022

web the legend of zelda encyclopedia lingua inglese if you ally infatuation such a referred the legend of zelda encyclopedia lingua inglese books that will find the money for you worth acquire the enormously best seller from us currently from several preferred authors if you desire to hilarious books lots of novels tale jokes and more

9781506706382 legend of zelda encyclopedia the abebooks - Jan 10 2023

web an exhaustive compendium of everything from the first 30 years of the legend of zelda an expansion of information from the legend of zelda timeline rare development sketches of your favorite characters an extensive database of items and enemies

the legend of zelda encyclopedia nintendo free download - Sep 18 2023

web jun 19 2018 the legend of zelda zelda encyclopedia collection comics inbox comics additional collections language english this 320 page book is an exhaustive guide to the legend of zelda from the original the

the legend of zelda wikipedia - Mar 12 2023

web the legend of zelda is an action adventure game franchise created by the japanese game designers shigeru miyamoto and takashi tezuka it is primarily developed and published by nintendo although some portable installments and re releases have been outsourced to flagship vanpool and grezzo the gameplay incorporates action adventure and

the legend of zelda encyclopedia lingua inglese uniport edu - Feb 28 2022

web may 20 2023 the legend of zelda four swords legendary edition akira himekawa 2017 07 11 link must defeat evil at every turn in his perilous quest to help princess zelda the legend of zelda legendary edition contains two volumes of the beloved the legend of zelda manga series presented in a deluxe format

the legend of zelda encyclopedia lingua inglese - Jul 04 2022

web the legend of zelda encyclopedia lingua inglese 1 downloaded from donate pfi org on 2022 07 26 by guest recognizing the exaggeration ways to get this ebook the legend of zelda encyclopedia lingua inglese is additionally useful

the legend of zelda encyclopedia lingua inglese pdf 2023 - Aug 05 2022

web the legend of zelda manga series presented in a deluxe format featuring new covers and color art pieces by akira himekawa the battle for hyrule and the sacred realm has begun a young boy named link must defeat evil on his long perilous

the legend of zelda encyclopedia lingua inglese - Oct 07 2022

web the legend of zelda encyclopedia lingua inglese the legend of zelda hyrule historia nov 30 2020 make sure to check out the other installments in this unparalleled collection of historical information on the legend of zelda franchise with the new york times best selling the legend of zelda art artifacts and the legend of zelda

[amazon.co.jp/the-legend-of-zelda-encyclopedia](#) 書籍 - Apr 13 2023

web jun 19 2018 this 320 page book is an exhaustive guide to the legend of zelda from the original the legend of zelda to twilight princess hd make sure to check out the other installments in this unparalleled collection of historical information on the legend of zelda franchise with the new york times best selling the legend of zelda hyrule

[the-legend-of-zelda-translation-comparison-introduction](#) - Feb 11 2023

web the japanese version known as zelda no densetsu ゼルダの伝説 legend of zelda was released on february 21 1986 as a launch title for the famicom disk system it cost 2 600 yen at the time but more frugal players could download the game onto disks at special in store kiosks for only 500 yen in north america the english

[the-legend-of-zelda-encyclopedia-wikipedia](#) - Aug 17 2023

web the legend of zelda encyclopedia a is a book about nintendo s the legend of zelda video game series it is published in english by dark horse comics and is the third book in the goddess collection trilogy following the publication of