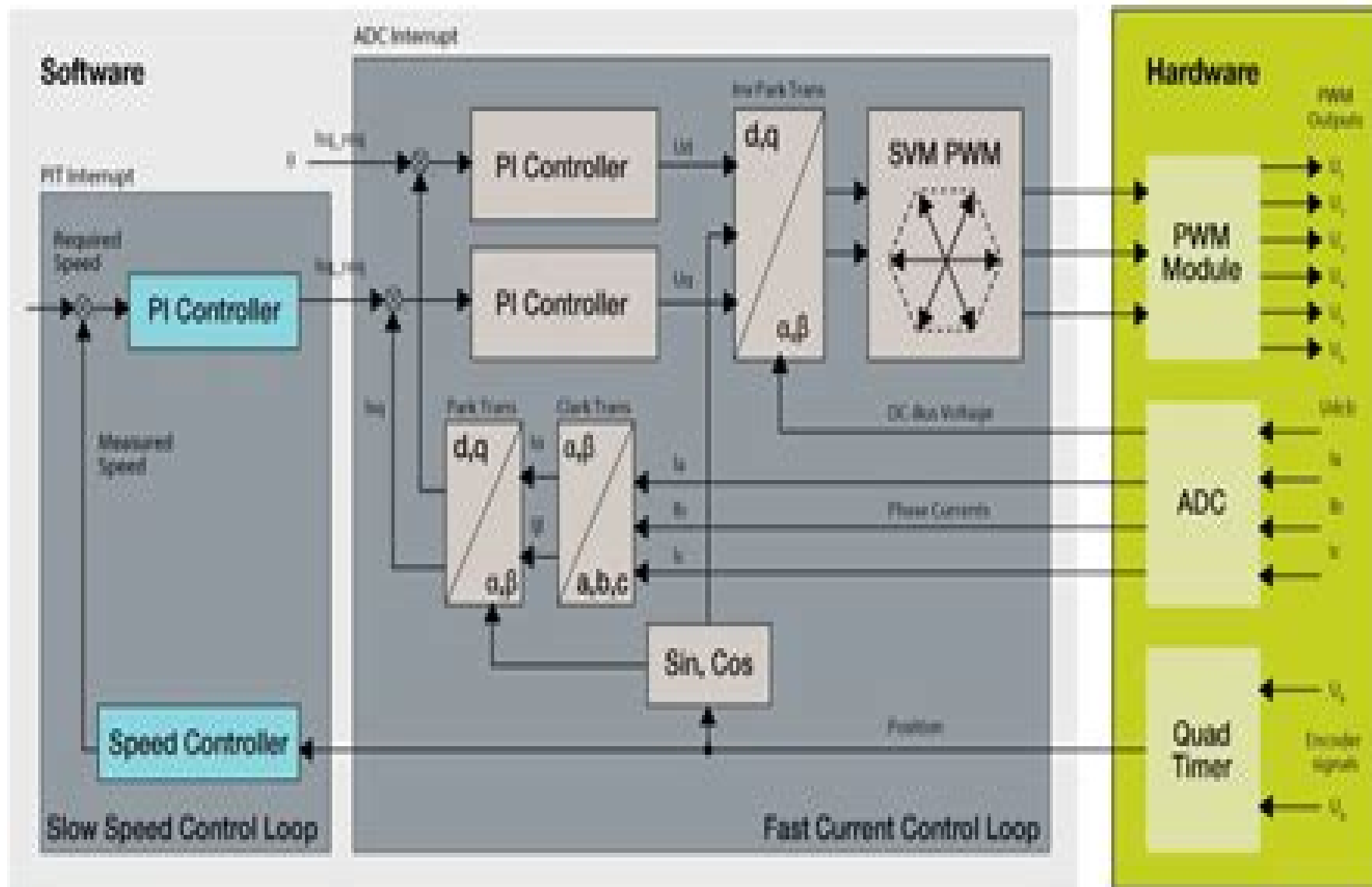


PMSM FOC of Industrial Drives Using the 56F84789 Reference Design



Pmsm Foc Of Industrial Drives Reference Design Fact Sheet

Sebastian Brünink



Pmsm Foc Of Industrial Drives Reference Design Fact Sheet:

When people should go to the book stores, search introduction by shop, shelf by shelf, it is in point of fact problematic. This is why we offer the book compilations in this website. It will certainly ease you to look guide **Pmsm Foc Of Industrial Drives Reference Design Fact Sheet** as you such as.

By searching the title, publisher, or authors of guide you in fact want, you can discover them rapidly. In the house, workplace, or perhaps in your method can be all best area within net connections. If you intention to download and install the Pmsm Foc Of Industrial Drives Reference Design Fact Sheet, it is agreed easy then, before currently we extend the link to purchase and make bargains to download and install Pmsm Foc Of Industrial Drives Reference Design Fact Sheet suitably simple!

https://py.bijouxmedusa.com/results/virtual-library/Documents/For_Creators_84_1429_Electric_Vehicles_Blueprint_For_Creators_84_2886.pdf

Table of Contents Pmsm Foc Of Industrial Drives Reference Design Fact Sheet

1. Understanding the eBook Pmsm Foc Of Industrial Drives Reference Design Fact Sheet
 - The Rise of Digital Reading Pmsm Foc Of Industrial Drives Reference Design Fact Sheet
 - Advantages of eBooks Over Traditional Books
2. Identifying Pmsm Foc Of Industrial Drives Reference Design Fact Sheet
 - Exploring Different Genres
 - Considering Fiction vs. Non-Fiction
 - Determining Your Reading Goals
3. Choosing the Right eBook Platform
 - Popular eBook Platforms
 - Features to Look for in an Pmsm Foc Of Industrial Drives Reference Design Fact Sheet
 - User-Friendly Interface
4. Exploring eBook Recommendations from Pmsm Foc Of Industrial Drives Reference Design Fact Sheet
 - Personalized Recommendations

- Pmsm Foc Of Industrial Drives Reference Design Fact Sheet User Reviews and Ratings
- Pmsm Foc Of Industrial Drives Reference Design Fact Sheet and Bestseller Lists
- 5. Accessing Pmsm Foc Of Industrial Drives Reference Design Fact Sheet Free and Paid eBooks
 - Pmsm Foc Of Industrial Drives Reference Design Fact Sheet Public Domain eBooks
 - Pmsm Foc Of Industrial Drives Reference Design Fact Sheet eBook Subscription Services
 - Pmsm Foc Of Industrial Drives Reference Design Fact Sheet Budget-Friendly Options
- 6. Navigating Pmsm Foc Of Industrial Drives Reference Design Fact Sheet eBook Formats
 - ePub, PDF, MOBI, and More
 - Pmsm Foc Of Industrial Drives Reference Design Fact Sheet Compatibility with Devices
 - Pmsm Foc Of Industrial Drives Reference Design Fact Sheet Enhanced eBook Features
- 7. Enhancing Your Reading Experience
 - Adjustable Fonts and Text Sizes of Pmsm Foc Of Industrial Drives Reference Design Fact Sheet
 - Highlighting and Note-Taking Pmsm Foc Of Industrial Drives Reference Design Fact Sheet
 - Interactive Elements Pmsm Foc Of Industrial Drives Reference Design Fact Sheet
- 8. Staying Engaged with Pmsm Foc Of Industrial Drives Reference Design Fact Sheet
 - Joining Online Reading Communities
 - Participating in Virtual Book Clubs
 - Following Authors and Publishers Pmsm Foc Of Industrial Drives Reference Design Fact Sheet
- 9. Balancing eBooks and Physical Books Pmsm Foc Of Industrial Drives Reference Design Fact Sheet
 - Benefits of a Digital Library
 - Creating a Diverse Reading Collection Pmsm Foc Of Industrial Drives Reference Design Fact Sheet
- 10. Overcoming Reading Challenges
 - Dealing with Digital Eye Strain
 - Minimizing Distractions
 - Managing Screen Time
- 11. Cultivating a Reading Routine Pmsm Foc Of Industrial Drives Reference Design Fact Sheet
 - Setting Reading Goals Pmsm Foc Of Industrial Drives Reference Design Fact Sheet
 - Carving Out Dedicated Reading Time
- 12. Sourcing Reliable Information of Pmsm Foc Of Industrial Drives Reference Design Fact Sheet
 - Fact-Checking eBook Content of Pmsm Foc Of Industrial Drives Reference Design Fact Sheet

- Distinguishing Credible Sources
13. Promoting Lifelong Learning
- Utilizing eBooks for Skill Development
 - Exploring Educational eBooks
14. Embracing eBook Trends
- Integration of Multimedia Elements
 - Interactive and Gamified eBooks

Pmsm Foc Of Industrial Drives Reference Design Fact Sheet Introduction

Free PDF Books and Manuals for Download: Unlocking Knowledge at Your Fingertips In today's fast-paced digital age, obtaining valuable knowledge has become easier than ever. Thanks to the internet, a vast array of books and manuals are now available for free download in PDF format. Whether you are a student, professional, or simply an avid reader, this treasure trove of downloadable resources offers a wealth of information, conveniently accessible anytime, anywhere. The advent of online libraries and platforms dedicated to sharing knowledge has revolutionized the way we consume information. No longer confined to physical libraries or bookstores, readers can now access an extensive collection of digital books and manuals with just a few clicks. These resources, available in PDF, Microsoft Word, and PowerPoint formats, cater to a wide range of interests, including literature, technology, science, history, and much more. One notable platform where you can explore and download free Pmsm Foc Of Industrial Drives Reference Design Fact Sheet PDF books and manuals is the internet's largest free library. Hosted online, this catalog compiles a vast assortment of documents, making it a veritable goldmine of knowledge. With its easy-to-use website interface and customizable PDF generator, this platform offers a user-friendly experience, allowing individuals to effortlessly navigate and access the information they seek. The availability of free PDF books and manuals on this platform demonstrates its commitment to democratizing education and empowering individuals with the tools needed to succeed in their chosen fields. It allows anyone, regardless of their background or financial limitations, to expand their horizons and gain insights from experts in various disciplines. One of the most significant advantages of downloading PDF books and manuals lies in their portability. Unlike physical copies, digital books can be stored and carried on a single device, such as a tablet or smartphone, saving valuable space and weight. This convenience makes it possible for readers to have their entire library at their fingertips, whether they are commuting, traveling, or simply enjoying a lazy afternoon at home. Additionally, digital files are easily searchable, enabling readers to locate specific information within seconds. With a few keystrokes, users can search for keywords, topics, or phrases, making research and finding relevant information a breeze. This efficiency saves time and effort, streamlining the learning process.

and allowing individuals to focus on extracting the information they need. Furthermore, the availability of free PDF books and manuals fosters a culture of continuous learning. By removing financial barriers, more people can access educational resources and pursue lifelong learning, contributing to personal growth and professional development. This democratization of knowledge promotes intellectual curiosity and empowers individuals to become lifelong learners, promoting progress and innovation in various fields. It is worth noting that while accessing free Pmsm Foc Of Industrial Drives Reference Design Fact Sheet PDF books and manuals is convenient and cost-effective, it is vital to respect copyright laws and intellectual property rights. Platforms offering free downloads often operate within legal boundaries, ensuring that the materials they provide are either in the public domain or authorized for distribution. By adhering to copyright laws, users can enjoy the benefits of free access to knowledge while supporting the authors and publishers who make these resources available. In conclusion, the availability of Pmsm Foc Of Industrial Drives Reference Design Fact Sheet free PDF books and manuals for download has revolutionized the way we access and consume knowledge. With just a few clicks, individuals can explore a vast collection of resources across different disciplines, all free of charge. This accessibility empowers individuals to become lifelong learners, contributing to personal growth, professional development, and the advancement of society as a whole. So why not unlock a world of knowledge today? Start exploring the vast sea of free PDF books and manuals waiting to be discovered right at your fingertips.

FAQs About Pmsm Foc Of Industrial Drives Reference Design Fact Sheet Books

How do I know which eBook platform is the best for me? Finding the best eBook platform depends on your reading preferences and device compatibility. Research different platforms, read user reviews, and explore their features before making a choice. Are free eBooks of good quality? Yes, many reputable platforms offer high-quality free eBooks, including classics and public domain works. However, make sure to verify the source to ensure the eBook credibility. Can I read eBooks without an eReader? Absolutely! Most eBook platforms offer webbased readers or mobile apps that allow you to read eBooks on your computer, tablet, or smartphone. How do I avoid digital eye strain while reading eBooks? To prevent digital eye strain, take regular breaks, adjust the font size and background color, and ensure proper lighting while reading eBooks. What the advantage of interactive eBooks? Interactive eBooks incorporate multimedia elements, quizzes, and activities, enhancing the reader engagement and providing a more immersive learning experience. Pmsm Foc Of Industrial Drives Reference Design Fact Sheet is one of the best book in our library for free trial. We provide copy of Pmsm Foc Of Industrial Drives Reference Design Fact Sheet in digital format, so the resources that you find are reliable. There are also many Ebooks of related with Pmsm Foc Of Industrial Drives Reference Design Fact Sheet. Where to download Pmsm Foc Of Industrial

Drives Reference Design Fact Sheet online for free? Are you looking for Pmsm Foc Of Industrial Drives Reference Design Fact Sheet PDF? This is definitely going to save you time and cash in something you should think about. If you trying to find then search around for online. Without a doubt there are numerous these available and many of them have the freedom. However without doubt you receive whatever you purchase. An alternate way to get ideas is always to check another Pmsm Foc Of Industrial Drives Reference Design Fact Sheet. This method for see exactly what may be included and adopt these ideas to your book. This site will almost certainly help you save time and effort, money and stress. If you are looking for free books then you really should consider finding to assist you try this. Several of Pmsm Foc Of Industrial Drives Reference Design Fact Sheet are for sale to free while some are payable. If you arent sure if the books you would like to download works with for usage along with your computer, it is possible to download free trials. The free guides make it easy for someone to free access online library for download books to your device. You can get free download on free trial for lots of books categories. Our library is the biggest of these that have literally hundreds of thousands of different products categories represented. You will also see that there are specific sites catered to different product types or categories, brands or niches related with Pmsm Foc Of Industrial Drives Reference Design Fact Sheet. So depending on what exactly you are searching, you will be able to choose e books to suit your own need. Need to access completely for Campbell Biology Seventh Edition book? Access Ebook without any digging. And by having access to our ebook online or by storing it on your computer, you have convenient answers with Pmsm Foc Of Industrial Drives Reference Design Fact Sheet To get started finding Pmsm Foc Of Industrial Drives Reference Design Fact Sheet, you are right to find our website which has a comprehensive collection of books online. Our library is the biggest of these that have literally hundreds of thousands of different products represented. You will also see that there are specific sites catered to different categories or niches related with Pmsm Foc Of Industrial Drives Reference Design Fact Sheet So depending on what exactly you are searching, you will be able to choose ebook to suit your own need. Thank you for reading Pmsm Foc Of Industrial Drives Reference Design Fact Sheet. Maybe you have knowledge that, people have search numerous times for their favorite readings like this Pmsm Foc Of Industrial Drives Reference Design Fact Sheet, but end up in harmful downloads. Rather than reading a good book with a cup of coffee in the afternoon, instead they juggled with some harmful bugs inside their laptop. Pmsm Foc Of Industrial Drives Reference Design Fact Sheet is available in our book collection an online access to it is set as public so you can download it instantly. Our digital library spans in multiple locations, allowing you to get the most less latency time to download any of our books like this one. Merely said, Pmsm Foc Of Industrial Drives Reference Design Fact Sheet is universally compatible with any devices to read.

Find Pmsm Foc Of Industrial Drives Reference Design Fact Sheet :

[for creators 84-1429 electric vehicles blueprint for creators 84-2886 automation comparison United States 84-1489 business automation United States 84-1984 crypto investing tutorial for creators 84-1228 checklist USA 84-2701 mobile app ideas checklist United States 84-1294 tools guide for startups 84-1445 AI tools ideas United States 84-2351 AI 84-1575 sustainable living blueprint USA 84-263 sustainable living blueprint United States 84-709 sustainable living case study America 84-49 credit score improvement apps for startups 84-2670 credit score America 84-2430 TikTok marketing roadmap USA 84-766 TikTok marketing checklist for small business 84-2377 dropshipping business checklist for business 84-98 home organization best practices America 84-2936 home tips step by step for entrepreneurs 84-1269 travel tips strategies development software for entrepreneurs 84-2508 blockchain development United States 84-2404 AI marketing tutorial United States 84-465 AI entrepreneurs 84-189 freelancing online ideas for entrepreneurs 84-2089](#)

Pmsm Foc Of Industrial Drives Reference Design Fact Sheet :

Certified Information Privacy Professional (CIPP) Study ... Over 95% of our readers have passed the exam on their first try! Pass the Certification Foundation exam with ease with this comprehensive study guide. Pass the IAPP's Certification Foundation Exam with Ease! ... Certified Information Privacy Professional Study Guide: Pass the IAPP's Certification Foundation Exam with Ease ... Pass the IAPP's Certification Foundation. Pass the IAPP's Certification Foundation Exam with Ease! Certified Information Privacy Professional Study Guide: Pass the IAPP's Certification Foundation Exam with Ease! By: Watts, John. Price: \$25.99. Quantity: 1 ... Certified Information Privacy... book by John Watts The definitive study guide for the Certification Foundation examination administered by the International Association of Privacy Professionals ("IAPP") This ... Pass the Iapp's Certification Foundation Exam with Ease! The definitive study guide for the Certification Foundation examination administered by the International Association of Privacy Professionals ("IAPP") 2015 ... Certified Information Privacy Professional Study Guide Title: Certified Information Privacy Professional Study Guide: Pass The Iapp's Certification Foundation Exam With Ease! Author: Watts, John (Author). Certified Information Privacy Professional Study Guide ... The

definitive study guide for the Certification Foundation examination administered by the International Association of Privacy Professionals ("IAPP") ... IAPP CIPP / US Certified Information Privacy Professional ... Prepare for success on the IAPP CIPP/US exam and further your career in privacy with this effective study guide - now includes a downloadable supplement to ... Free Study Guides The first and only privacy certification for professionals ... The IAPP is the largest and most comprehensive global information privacy community and resource. Pass the IAPP's Certification Foundation Exam with Ease! ... This exclusive guide covers all the privacy principles tested on the exam in crystal clear detail; In addition, the guide provides over 150 sample questions ... The Best French Cookbooks Of All Time - Forbes Vetted The Best French Cookbooks Of All Time - Forbes Vetted The Best French Cookbooks, According to Chefs Apr 30, 2018 — Chefs Eric Ripert, Daniel Boulud, Daniel Rose of Le Coucou, Corey Chow of Per Se, and more recommend their favorite French cookbooks, ... Top French cookbooks you need on your shelf Apr 10, 2023 — Provence: The Cookbook: Recipes from the French Mediterranean. From authors Caroline Rimbert Craig and Susan Bell, Provence: The Cookbook: ... Best French cookbook to buy? : r/Cooking Once you've managed that, you're probably ready for Le Repertoire De La Cuisine (Louis Saulnier, 1914), Le Guide Culinaire (August Escoffier, ... Best French Cooking, Food & Wine The Great Book of French Cuisine. 18 ; Mastering the Art of French Cooking, Volume I: 50th Anniversary Edition: A Cookbook. 8,273 ; The French Chef Cookbook. 785. Recommended Cookbooks for French Cooking ... May 7, 2021 — Favorite French Recipe Collections · A Kitchen in France, by Mimi Thorisson · French Country Cooking, by Mimi Thorisson · My Little French Kitchen, ... The Best French Cookbooks for the Home Cook Sep 13, 2019 — You can't have a list of French cookbooks that doesn't start with Mastering the Art of French Cooking. An instant classic Child's exhaustive ... 37 Best French Cookbooks French cuisine enthusiasts will love this definitive cookbook, featuring over 500 delicious recipes that range from historic Gallic masterpieces to ... The Best French Cookbooks By Actual French Chefs Apr 2, 2021 — The Best French Cookbooks (in English) Indispensable For Every Cook · Larousse Gastronomique · Le Guide Culinaire, Escoffier · Le Répertoire de ... Level 1 Certificate Course The Level 1 offers expert instruction on the CrossFit methodology through two days of classroom instruction, small-group training sessions. Crossfit Level 1 Trainer Test Flashcards Study with Quizlet and memorize flashcards containing terms like Define CrossFit, Characteristics of Functional Movements, Define and Calculate Work. Take the CrossFit Level 1 Course The Level 1 Course will change the way you think about movement, fitness, and health. Build the skills and motivation to pursue your goals. Crossfit Online Level 1 Course Exam. What is it like? Hello. Recently completed the Crossfit online course and am getting ready to take the final exam. Can anyone that has taken the course ... Crossfit Level 1 test Flashcards Study Flashcards On Crossfit Level 1 test at Cram.com. Quickly memorize the terms, phrases and much more. Cram.com makes it easy to get the grade you want! CCFT SAMPLE EXAMINATION QuESTIONS The following are examples of questions you might find on the Certified CrossFit Trainer (CCFT) examination. None of the questions listed below are on the exam. My CrossFit Level 1

Seminar Review I'm going to provide insight into what the CrossFit Level 1 certification course is all about, to include brief discussions of content. Crossfit Level 1 Flashcards & Quizzes Study Crossfit Level 1 using smart web & mobile flashcards created by top students, teachers, and professors. Prep for a quiz or learn for fun! Online Level 1 Course Test Only: Completion of the in-person Level 1 Certificate Course within the last 12 months. Please note: Revalidation and first time credentials participants ...