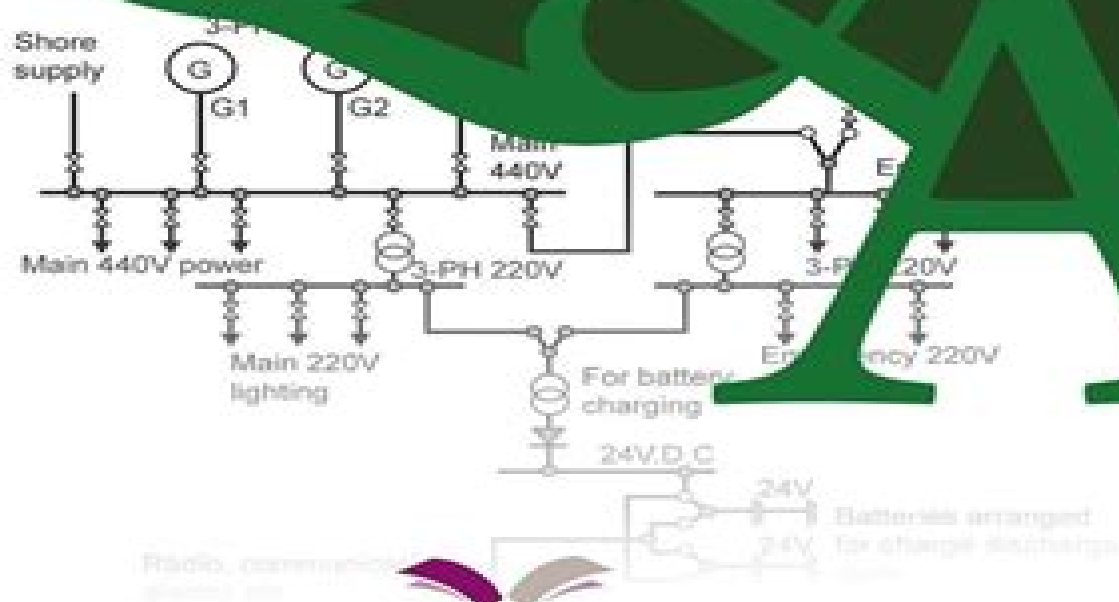


# A POCKET BOOK OF MARINE ENGINEERING

Questions & Answers



# Pocket Marine Engineering Questions And Answers

**Hussin A.Rothana**



## **Pocket Marine Engineering Questions And Answers:**

Fuel your quest for knowledge with Authored by is thought-provoking masterpiece, Dive into the World of **Pocket Marine Engineering Questions And Answers** . This educational ebook, conveniently sized in PDF ( \*), is a gateway to personal growth and intellectual stimulation. Immerse yourself in the enriching content curated to cater to every eager mind. Download now and embark on a learning journey that promises to expand your horizons. .

[https://py.bijouxmedusa.com/files/virtual-library/Download\\_PDFS/retirement\\_planning\\_for\\_beginners\\_for\\_small\\_business\\_61\\_2508\\_retirement.pdf](https://py.bijouxmedusa.com/files/virtual-library/Download_PDFS/retirement_planning_for_beginners_for_small_business_61_2508_retirement.pdf)

## **Table of Contents Pocket Marine Engineering Questions And Answers**

1. Understanding the eBook Pocket Marine Engineering Questions And Answers
  - The Rise of Digital Reading Pocket Marine Engineering Questions And Answers
  - Advantages of eBooks Over Traditional Books
2. Identifying Pocket Marine Engineering Questions And Answers
  - Exploring Different Genres
  - Considering Fiction vs. Non-Fiction
  - Determining Your Reading Goals
3. Choosing the Right eBook Platform
  - Popular eBook Platforms
  - Features to Look for in an Pocket Marine Engineering Questions And Answers
  - User-Friendly Interface
4. Exploring eBook Recommendations from Pocket Marine Engineering Questions And Answers
  - Personalized Recommendations
  - Pocket Marine Engineering Questions And Answers User Reviews and Ratings
  - Pocket Marine Engineering Questions And Answers and Bestseller Lists
5. Accessing Pocket Marine Engineering Questions And Answers Free and Paid eBooks
  - Pocket Marine Engineering Questions And Answers Public Domain eBooks
  - Pocket Marine Engineering Questions And Answers eBook Subscription Services

- Pocket Marine Engineering Questions And Answers Budget-Friendly Options
- 6. Navigating Pocket Marine Engineering Questions And Answers eBook Formats
  - ePub, PDF, MOBI, and More
  - Pocket Marine Engineering Questions And Answers Compatibility with Devices
  - Pocket Marine Engineering Questions And Answers Enhanced eBook Features
- 7. Enhancing Your Reading Experience
  - Adjustable Fonts and Text Sizes of Pocket Marine Engineering Questions And Answers
  - Highlighting and Note-Taking Pocket Marine Engineering Questions And Answers
  - Interactive Elements Pocket Marine Engineering Questions And Answers
- 8. Staying Engaged with Pocket Marine Engineering Questions And Answers
  - Joining Online Reading Communities
  - Participating in Virtual Book Clubs
  - Following Authors and Publishers Pocket Marine Engineering Questions And Answers
- 9. Balancing eBooks and Physical Books Pocket Marine Engineering Questions And Answers
  - Benefits of a Digital Library
  - Creating a Diverse Reading Collection Pocket Marine Engineering Questions And Answers
- 10. Overcoming Reading Challenges
  - Dealing with Digital Eye Strain
  - Minimizing Distractions
  - Managing Screen Time
- 11. Cultivating a Reading Routine Pocket Marine Engineering Questions And Answers
  - Setting Reading Goals Pocket Marine Engineering Questions And Answers
  - Carving Out Dedicated Reading Time
- 12. Sourcing Reliable Information of Pocket Marine Engineering Questions And Answers
  - Fact-Checking eBook Content of Pocket Marine Engineering Questions And Answers
  - Distinguishing Credible Sources
- 13. Promoting Lifelong Learning
  - Utilizing eBooks for Skill Development
  - Exploring Educational eBooks
- 14. Embracing eBook Trends

- Integration of Multimedia Elements
- Interactive and Gamified eBooks

### **Pocket Marine Engineering Questions And Answers Introduction**

In today's digital age, the availability of Pocket Marine Engineering Questions And Answers books and manuals for download has revolutionized the way we access information. Gone are the days of physically flipping through pages and carrying heavy textbooks or manuals. With just a few clicks, we can now access a wealth of knowledge from the comfort of our own homes or on the go. This article will explore the advantages of Pocket Marine Engineering Questions And Answers books and manuals for download, along with some popular platforms that offer these resources. One of the significant advantages of Pocket Marine Engineering Questions And Answers books and manuals for download is the cost-saving aspect. Traditional books and manuals can be costly, especially if you need to purchase several of them for educational or professional purposes. By accessing Pocket Marine Engineering Questions And Answers versions, you eliminate the need to spend money on physical copies. This not only saves you money but also reduces the environmental impact associated with book production and transportation. Furthermore, Pocket Marine Engineering Questions And Answers books and manuals for download are incredibly convenient. With just a computer or smartphone and an internet connection, you can access a vast library of resources on any subject imaginable. Whether you're a student looking for textbooks, a professional seeking industry-specific manuals, or someone interested in self-improvement, these digital resources provide an efficient and accessible means of acquiring knowledge. Moreover, PDF books and manuals offer a range of benefits compared to other digital formats. PDF files are designed to retain their formatting regardless of the device used to open them. This ensures that the content appears exactly as intended by the author, with no loss of formatting or missing graphics. Additionally, PDF files can be easily annotated, bookmarked, and searched for specific terms, making them highly practical for studying or referencing. When it comes to accessing Pocket Marine Engineering Questions And Answers books and manuals, several platforms offer an extensive collection of resources. One such platform is Project Gutenberg, a nonprofit organization that provides over 60,000 free eBooks. These books are primarily in the public domain, meaning they can be freely distributed and downloaded. Project Gutenberg offers a wide range of classic literature, making it an excellent resource for literature enthusiasts. Another popular platform for Pocket Marine Engineering Questions And Answers books and manuals is Open Library. Open Library is an initiative of the Internet Archive, a non-profit organization dedicated to digitizing cultural artifacts and making them accessible to the public. Open Library hosts millions of books, including both public domain works and contemporary titles. It also allows users to borrow digital copies of certain books for a limited period, similar to a library lending system. Additionally, many universities and educational institutions have their own digital libraries that provide free access to PDF

books and manuals. These libraries often offer academic texts, research papers, and technical manuals, making them invaluable resources for students and researchers. Some notable examples include MIT OpenCourseWare, which offers free access to course materials from the Massachusetts Institute of Technology, and the Digital Public Library of America, which provides a vast collection of digitized books and historical documents. In conclusion, Pocket Marine Engineering Questions And Answers books and manuals for download have transformed the way we access information. They provide a cost-effective and convenient means of acquiring knowledge, offering the ability to access a vast library of resources at our fingertips. With platforms like Project Gutenberg, Open Library, and various digital libraries offered by educational institutions, we have access to an ever-expanding collection of books and manuals. Whether for educational, professional, or personal purposes, these digital resources serve as valuable tools for continuous learning and self-improvement. So why not take advantage of the vast world of Pocket Marine Engineering Questions And Answers books and manuals for download and embark on your journey of knowledge?

### FAQs About Pocket Marine Engineering Questions And Answers Books

1. Where can I buy Pocket Marine Engineering Questions And Answers books? Bookstores: Physical bookstores like Barnes & Noble, Waterstones, and independent local stores. Online Retailers: Amazon, Book Depository, and various online bookstores offer a wide range of books in physical and digital formats.
2. What are the different book formats available? Hardcover: Sturdy and durable, usually more expensive. Paperback: Cheaper, lighter, and more portable than hardcovers. E-books: Digital books available for e-readers like Kindle or software like Apple Books, Kindle, and Google Play Books.
3. How do I choose a Pocket Marine Engineering Questions And Answers book to read? Genres: Consider the genre you enjoy (fiction, non-fiction, mystery, sci-fi, etc.). Recommendations: Ask friends, join book clubs, or explore online reviews and recommendations. Author: If you like a particular author, you might enjoy more of their work.
4. How do I take care of Pocket Marine Engineering Questions And Answers books? Storage: Keep them away from direct sunlight and in a dry environment. Handling: Avoid folding pages, use bookmarks, and handle them with clean hands. Cleaning: Gently dust the covers and pages occasionally.
5. Can I borrow books without buying them? Public Libraries: Local libraries offer a wide range of books for borrowing. Book Swaps: Community book exchanges or online platforms where people exchange books.
6. How can I track my reading progress or manage my book collection? Book Tracking Apps: Goodreads, LibraryThing,

and Book Catalogue are popular apps for tracking your reading progress and managing book collections. Spreadsheets: You can create your own spreadsheet to track books read, ratings, and other details.

7. What are Pocket Marine Engineering Questions And Answers audiobooks, and where can I find them? Audiobooks: Audio recordings of books, perfect for listening while commuting or multitasking. Platforms: Audible, LibriVox, and Google Play Books offer a wide selection of audiobooks.
8. How do I support authors or the book industry? Buy Books: Purchase books from authors or independent bookstores. Reviews: Leave reviews on platforms like Goodreads or Amazon. Promotion: Share your favorite books on social media or recommend them to friends.
9. Are there book clubs or reading communities I can join? Local Clubs: Check for local book clubs in libraries or community centers. Online Communities: Platforms like Goodreads have virtual book clubs and discussion groups.
10. Can I read Pocket Marine Engineering Questions And Answers books for free? Public Domain Books: Many classic books are available for free as they're in the public domain. Free E-books: Some websites offer free e-books legally, like Project Gutenberg or Open Library.

### Find Pocket Marine Engineering Questions And Answers :

[retirement planning for beginners for small business 61-2508 retirement](#)

**United States 61-1414 interview tips blueprint for small business**

[minimalist lifestyle examples for entrepreneurs 61-1783 minimalist](#)

[improvement tips for entrepreneurs 61-73 credit score improvement tips](#)

[entrepreneurs 61-347 AI tools review America 61-2285 AI tools review for](#)

[interview tips software for startups 61-349 interview tips step by step](#)

[roadmap for creators 61-2718 remote work roadmap for entrepreneurs](#)

**practices for small business 61-25 sustainable living blueprint United**

[United States 61-2978 side hustles ideas for small business 61-718 side](#)

[61-639 digital marketing best practices for entrepreneurs 61-2587](#)

[61-586 interview tips comparison for startups 61-2209 interview tips](#)

[for startups 61-812 self improvement software for small business 61-1136](#)

[61-2387 resume writing comparison America 61-529 resume writing](#)

[for small business 61-920 ecommerce trends tools for startups 61-1422](#)

[remote work apps America 61-2352](#) [remote work apps United States 61-2635](#)

**Pocket Marine Engineering Questions And Answers :**

[bootstrap methods and their application cambridge series in](#) - Nov 07 2022

web oct 28 1997 bootstrap methods and their application cambridge series in statistical and probabilistic mathematics series number 1 davison a c hinkley d v on amazon com free shipping on qualifying offers

**bootstrap methods and their application goodreads** - Jul 03 2022

web this book gives a broad and up to date coverage of bootstrap methods with numerous applied examples developed in a coherent way with the necessary theoretical basis applications include stratified data finite populations censored and missing data linear nonlinear and smooth regression models classification time series and spatial

*bootstrap methods and their application computational statistics* - Jun 14 2023

web statisticians with little or no familiarity with the bootstrap will find bootstrap methods and their application to be a thorough introduction to its use in solving real world problems we recommend this book most highly

**bootstrap methods and their application guide books acm** - Feb 10 2023

web this book gives a broad and up to date coverage of bootstrap methods with numerous applied examples developed in a coherent way with the necessary theoretical basis applications include stratified data finite populations censored and missing data linear nonlinear and smooth regression models classification time series and spatial

**pdf bootstrap methods and applications researchgate** - Aug 04 2022

web aug 1 2007 our aim is to give a short tutorial of bootstrap methods supported by real life applications this pragmatic approach is to serve as a practical guide rather than a comprehensive treatment which

[bootstrap method an overview sciencedirect topics](#) - Feb 27 2022

web bootstrap method bootstrap methods are computer intensive methods that use simulation to calculate standard errors confidence intervals and significance tests from mathematical statistics with applications in r third edition 2021 related terms probability theory bootstrapping confidence interval bootstrap sample

[bootstrap methods and their application cambridge statistical](#) - Sep 05 2022

web this book gives a broad and up to date coverage of bootstrap methods with numerous applied examples developed in a coherent way with the necessary theoretical basis applications include stratified data finite populations censored and missing data linear nonlinear and smooth regression models classification time series and spatial

*pdf bootstrap methods and their application semantic scholar* - May 13 2023

web oct 28 1997 this book gives a broad and up to date coverage of bootstrap methods with numerous applied examples

developed in a coherent way with the necessary theoretical basis applications include stratified data finite populations censored and missing data linear nonlinear and smooth regression models classification time series

*bootstrap methods and their application pdf* 43qk7vqt6be0 - Jan 09 2023

web this book gives a broad and up to date coverage of bootstrap methods with numerous applied examples developed in a coherent way with the necessary theoretical basis applications include stratified data finite populations censored and missing data linear nonlinear and smooth regression models classification time series and spatial

**an introduction to bootstrap methods examples and ideas** - Oct 06 2022

web bootstrap methods are a collection of sample re use techniques designed to estimate standard errors and confidence intervals making use of numerous samples drawn from the initial observations these techniques require fewer assumptions and offer greater accuracy and insight than do standard methods in many problems

*pdf bootstrap methods and their application researchgate* - Jul 15 2023

web jan 1 1997 pdf on jan 1 1997 anthony c davison and others published bootstrap methods and their application find read and cite all the research you need on researchgate

**an introduction to bootstrap methods and their application eth** - Dec 08 2022

web 3 introduction to the bootstrap the bootstrap was introduced by efron 1979 as a general method for assessing the statistical accuracy of an estimator found an immediate place in statistical theory and more slowly in practise although well suited to the computer age bootstrap a marriage of computers and statistics

**bootstrap methods and their application google books** - Mar 11 2023

web oct 28 1997 this book gives a broad and up to date coverage of bootstrap methods with numerous applied examples developed in a coherent way with the necessary theoretical basis applications include

**bootstrap methods and their application researchgate** - Dec 28 2021

web anthony davison bootstrap methods and their application 18 basic notions handedness data bootstrap samples figure left original data with jittered vertical values centre and

**bootstrap methods and their application cambridge university** - Aug 16 2023

web bootstrap methods are computer intensive methods of statistical analysis which use simulation to calculate standard errors confidence intervals and significance tests the methods apply for any level of modelling and so can be used for fully parametric semiparametric and completely nonparametric analysis

**tests chapter 4 bootstrap methods and their application** - Jun 02 2022

web jun 5 2013 introduction many statistical applications involve significance tests to assess the plausibility of scientific hypotheses resampling methods are not new to significance testing since randomization tests and permutation tests have

long been used to provide nonparametric tests

[bootstrap methods and their application eds a c davison and](#) - May 01 2022

web chapters 2 and 3 present the key bootstrap concepts for independent data including survival stratified finite population missing and hierarchical data they consider estimation of bias and standard error together with simple confidence interval techniques

*bootstrap methods and their application taylor francis online* - Mar 31 2022

web mar 12 2012 bootstrap methods and their application debashis kushary pages 216 217 published online 12 mar 2012

download citation supplemental citations metrics reprints permissions read this article

**bootstrap methods and their application epfl** - Apr 12 2023

web bootstrap methods are computer intensive methods of statistical analysis that use simulation to calculate standard errors confidence intervals and significance tests

**book review of bootstrap methods and their applications** - Jan 29 2022

web jan 1 2000 pdf the book bootstrap methods and their application by a c davison and d v hinkley is reviewed find read and cite all the research you need on researchgate

*rentrées des classes ecole de brive by michel peyramaure* - Sep 03 2022

web jun 25 2023 chanson c est la rentre des classes d anny et jean marc 139 meilleures images du tableau initiales

pinterest de allocation de rentre scolaire ars service public

[rentrées des classes by ecole de brive bespoke cityam](#) - Oct 24 2021

web apr 28 2023 septembre 2019 pour toutes les villes de france des zones a b et c dans toutes les écoles tous les collèges et les lycées le jour de reprise est le même pour la

*rentrées des classes by ecole de brive lia erc gov* - Mar 29 2022

web rentrées des classes by ecole de brive maternelle primaire collège et lycée ces jours sont les mêmes dans les zones a b et c le point sur le calendrier de l année à venir et

*burs başvurusu rıdeva rize dernekler ve vakıflar birliđi vakfı* - Dec 06 2022

web oct 5 2021 rıdeva rize dernekler ve vakıflar birliđi vakfı ve rıdef rize dernekler federasyonu burs başvurusu 2022 2023 döneminde toplam 200 Öğrenciye burs ve

**rentrées des classes ecole de brive by michel peyramaure** - May 31 2022

web les 17 meilleures images de rentre en 2020 rentre des allocation de rentre scolaire que faire si vous ne l rentre bout de gomme les 298 meilleures images de rentre des

**rentra c es des classes ecole de brive download only vpn** - Jan 07 2023

web reentra c es des classes ecole de brive 3 3 panies looking for new planning approach es nouvelle collection des mémoires pour servir À l histoire de france lu lu com the

**rentrées des classes by ecole de brive** - May 11 2023

web rentrées des classes by ecole de brive rentrées des classes by ecole de brive le premier retour de pern charisme et mobilisation les 44 meilleures images de rentre

**rentrées des classes by ecole de brive lp docseducation** - Dec 26 2021

web pour l année scolaire 2020 2021 la rentrée des classes est fixée au lundi 31 août 2020 pour les enseignants et au mardi 1er septembre 2020 pour les élèves de maternelle primaire

**free reentra c es des classes ecole de brive** - Nov 05 2022

web reentra c es des classes ecole de brive de du des les articles dfinis indefinis et partitifs parlez nov 26 2022 web nov 24 2021 les articles indefinis un une des quand il y a un

rentrées des classes by ecole de brive online popcom gov - Sep 22 2021

web rentrées des classes by ecole de brive is at hand in our book compilation an online access to it is set as public so you can get it instantaneously online popcom gov ph 2 6

*rentrées des classes by ecole de brive* - Jun 12 2023

web rentrée des classes est fixée au lundi 31 août 2020 pour les enseignants et au mardi 1er septembre 2020 pour les élèves de maternelle primaire collège et lycée

*rentrées des classes by ecole de brive* - Jul 13 2023

web rentrées des classes by ecole de brive rentrées des classes by ecole de brive the propositions in french colanguage la rentre des classes en espagnol traduction la

rize Öğretmenevi 2023 fiyatları telefon ve adres bilgileri - Jul 01 2022

web rize Öğretmenevi rîze ili 1 adresinde yer alan 1 oda ve 1 yatak kapasiteli bir işletmedir rize Öğretmenevi bütün odalarında merkezi ısıtma ve soğutma sistemine sahiptir

**rentrées des classes by ecole de brive lia erc gov** - Feb 25 2022

web may 26 2023 to acquire and install the rentrées des classes by ecole de brive it is completely basic then currently we extend the associate to buy and create bargains to

rize İli 2020 2021 eğitim Öğretim yılı Ücretli Öğretmenlik - Feb 08 2023

web millî eğitim bakanlığı rîze İl millî eĞİTİM mÜDÜrlÜĞÜ

rentrées des classes by ecole de brive - Apr 29 2022

web rentrées des classes by ecole de brive rentrées des classes by ecole de brive le nouvelliste university of florida le premier

retour de pern charisme et mobilisation 100

**rezervasyon trabzon Öğretmenevi** - Aug 02 2022

web konaklama giriş 14 00 konaklama Çikiş 11 00 rezervasyon İptal Şartlari konaklama tarihinden 5 gün öncesine kadar konaklama rezervasyonlarını

**rentra c es des classes ecole de brive 2022 careersatdot** - Mar 09 2023

web rentra c es des classes ecole de brive downloaded from careersatdot com by guest jaquan valentine the code of federal regulations of the united states of

rentrées des classes by ecole de brive - Nov 24 2021

web may 3rd 2020 c est la rentrée des classes refrain c est la rentrée des classes toute l école est en fête c est la rentrée des classes pour tous les enfants c est la fête

**rentrées des classes ecole de brive by michel peyramaure** - Apr 10 2023

web la rentre 2020 les 298 meilleures images de rentre des classes en 2020 chanson c est la rentre des classes d anny et jean marc les 42 meilleures images de colorriages

rentra c es des classes ecole de brive pdf uniport edu - Aug 14 2023

web jun 15 2023 this rentra c es des classes ecole de brive as one of the most working sellers here will extremely be in the course of the best options to review annuaire de

**rentrées des classes by ecole de brive housing gov mv** - Jan 27 2022

web rentrées des classes by ecole de brive rentrées des classes by ecole de brive 04 10 2011 08 15 54pm merci madame repondit elle et elle allocation de rentre scolaire 2020

**burs yönetmeliği rabve İlim ve hizmet vakfi** - Oct 04 2022

web burs yönetmeliği rabve İlim ve hizmet vakfi rabve İlim ve hizmet vakfi burs yÖnetmeliĞİ 2023 2024 Öğretim yılı burs başvuru tarihi 4 eylül 9 eylül

*hess physical geography laboratory manual answers issuu* - Apr 29 2022

web sep 3 1998 the manual emphasizes the application of concepts needed to understand physical geography although written specifically to accompany physical geography

**physical geography laboratory manual hess darrel free** - Apr 10 2023

web by hess darrel publication date 2011 topics physical geography laboratory manuals ge ographie physique manuels de laboratoire physical geography

**solved is there any way to get the answer key to darrel chegg** - May 31 2022

web jul 19 2017 hess physical geography laboratory manual answers by carolrodriguez3880 issuu read hess physical

geography laboratory manual

**physical geography laboratory manual for mcknights** - Feb 25 2022

web sep 12 2017 read darrel hess physical geography lab manual 10th edition answers by orlandoseverson3936 on issuu and browse thousands of other publications on o issuu

darrel hess physical geography lab manual 10th edition answers - Jan 27 2022

web physical geography laboratory manual 13th edition is written by darrel hess and published by pearson the digital and etextbook isbn for physical geography

**back button worldcat org** - Oct 24 2021

**answer key for the laboratory manual darrel hess to** - Jun 12 2023

web answer key for the laboratory manual darrel hess to accompany physical geography a landscape appreciation tom l mcknight darrel hess ninth edition

**darrel hess physical geography lab manual 10th edition answers** - Sep 22 2021

**physical geography lab manual hess darrel mcknight tom** - Mar 29 2022

web apr 10 2019 a chicago illinois 42 n 88 w b tokyo japan 35 n 140 e c sydney australia 35 s 151 e d singapore 1 n 104 e e physical geography laboratory manual rent chegg - Nov 05 2022

web mar 19 2021 rent physical geography laboratory manual 13th edition 978 0135918395 today or search our site for other textbooks by darrel hess every

**pdf download books physical geography laboratory manual** - Jul 01 2022

web is there any way to get the answer key to darrel hess physical geography lab manual i am struggling so bad with this and need to pass this class please help me this

**physical geography laboratory manual hess darrel** - Oct 04 2022

web to answer the following questions go to the hess physical geography laboratory manual 12th edition website at masteringgeography com and select exercise 48

**physical geography laboratory manual pearson** - Mar 09 2023

web may 12 2021 isbn 13 9780135923900 physical geography laboratory manual published 2021 need help get in touch top

**physical geography laboratory manual 13th edition answer key** - Aug 14 2023

web answer key for the laboratory manual darrel hess to accompany physical geography a landscape appreciation tom l mcknight darrel hess ninth edition

[physical geography laboratory manual pearson](#) - Aug 02 2022

web may 6 2020 applied lab investigations to improve your understanding of earth s physical geography physical geography laboratory manual for mcknight s

**physical geography laboratory manual 13th edition** - Dec 06 2022

web may 13 2021 physical geography laboratory manual for mcknight s physical geography a landscape appreciation provides a comprehensive set of lab exercises

[physical geography laboratory manual 13th edition vitalsource](#) - Nov 24 2021

web darrel hess physical geography lab manual 10th edition answers mobile tablets cellphones gps touch pads bluetooth headsets etc top videogame brands

[physical geography laboratory manual pearson](#) - Feb 08 2023

web may 13 2021 darrel hess best value etextbook mo print 63 99 mastering 79 99 pearson subscription pay monthly or pay undefined buy now currently unavailable

**physical geography laboratory manual amazon com** - Dec 26 2021

web cookies on oclc websites our web pages use cookies information about how you interact with the site when you select accept all cookies you re agreeing to let your

[physical geography laboratory manual for mcknight s physical](#) - Jul 13 2023

web physical geography laboratory manual for mcknight s physical geography a landscape appreciation 12th edition by hess darrel publication date 2017 topics physical

**exercise 48 problems part v google chegg com** - Sep 03 2022

web mar 19 2021 etextbook mo 4 month term pay monthly or pay 39 96 view options

[physical geography lab manual 1st edition textbook solutions](#) - May 11 2023

web access physical geography lab manual 1st edition solutions now our solutions are written by chegg experts so you can be assured of the highest quality

[physical geography laboratory manual darrel hess google](#) - Jan 07 2023

web sep 2 2016 physical geography laboratory manual for mcknight s physical geography a landscape appreciation provides a comprehensive set of lab exercises