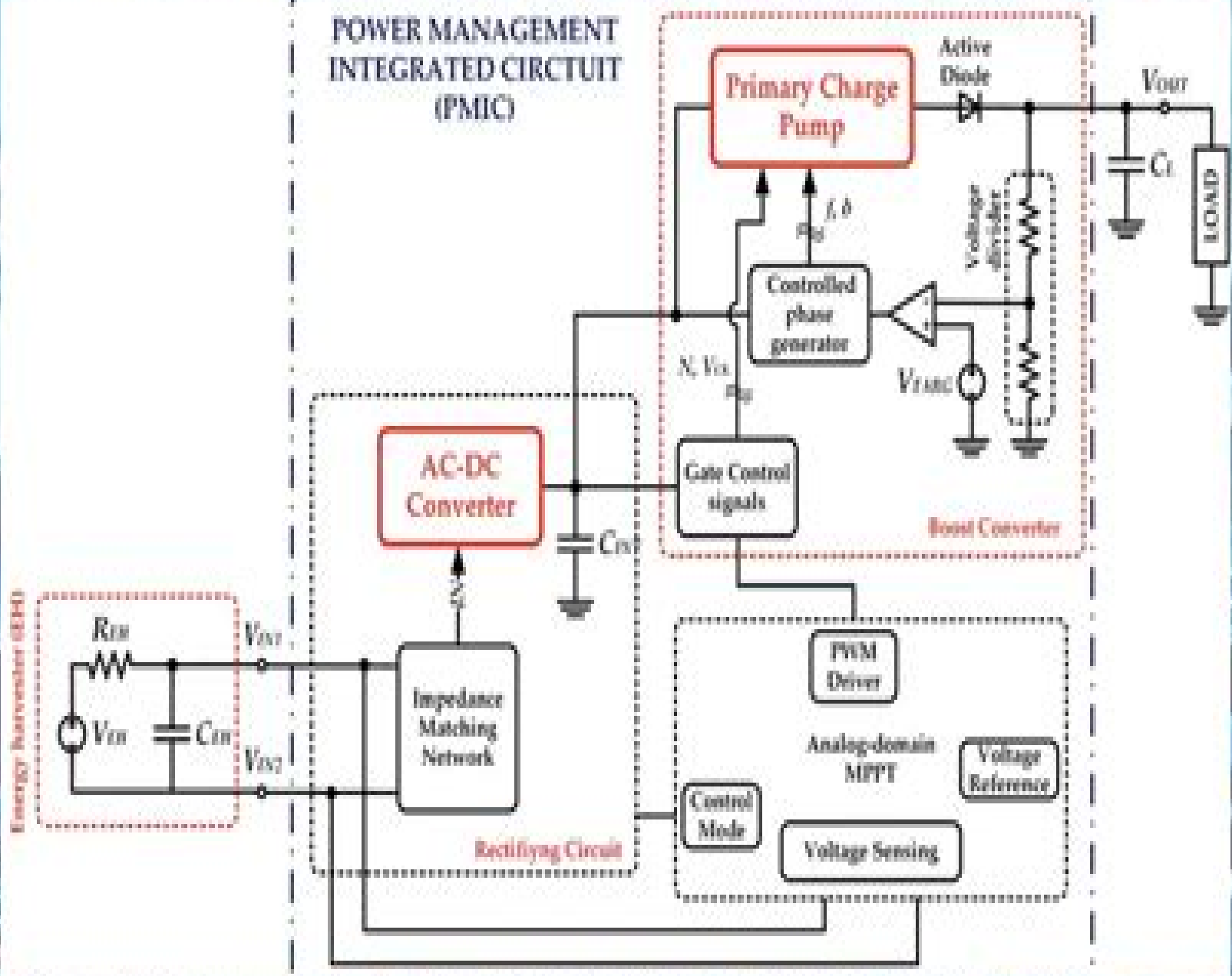


# POWER MANAGEMENT INTEGRATED CIRCUIT (PMIC)



# Power Management Integrated Circuit Analysis And Design

**Lei Huang**



## **Power Management Integrated Circuit Analysis And Design:**

**Power Management Integrated Circuit Analysis and Design** Wing-Hung Ki, 2017-05-08 A timely one stop pioneering book presenting all four major power management integrated circuits Existing analog IC books usually focus on amplifier and comparator designs with some extend to switched capacitor filter designs and analog to digital and digital to analog converters design There is no book yet on power management integrated circuits Ki s book fills the void This self contained book discusses all fundamental concepts in switching converters low dropout regulators charge pumps and voltage references systematically and in the context of analog integrated circuit design Furthermore concepts are discussed in both qualitative and quantitative aspects Qualitative understanding is important in getting the essential operation of a circuit but quantitative analysis supplies the solid foundation on which qualitative discussion is based First book covering all four major power management circuits All concepts discussed in both qualitative and quantitative aspects Written as a self contained text well organized and systematic Authored by a pioneering scientist in the field Supplementary instructional materials available for lecturers MATLAB simulation code for readers to download and practice on their own

**Design of Power Management Integrated Circuits** Bernhard Wicht, 2024-05-14 Design of Power Management Integrated Circuits Comprehensive resource on power management ICs affording new levels of functionality and applications with cost reduction in various fields Design of Power Management Integrated Circuits is a comprehensive reference for power management IC design covering the circuit design of main power management circuits like linear and switched mode voltage regulators along with sub circuits such as power switches gate drivers and their supply level shifters the error amplifier current sensing and control loop design Circuits for protection and diagnostics as well as aspects of the physical design like lateral and vertical power delivery pin out floor planning grounding supply guidelines and packaging are also addressed A full chapter is dedicated to the design of integrated passives The text illustrates the application of power management integrated circuits PMIC to growth areas like computing the Internet of Things mobility and renewable energy Includes numerous real world examples case studies and exercises illustrating key design concepts and techniques Offering a unique insight into this rapidly evolving technology through the author s experience developing PMICs in both the industrial and academic environment Design of Power Management Integrated Circuits includes information on Capacitive inductive and hybrid DC DC converters and their essential circuit blocks covering error amplifiers comparators and ramp generators Sensing protection and diagnostics covering thermal protection inductive loads and clamping structures under voltage reference and power on reset generation Integrated MOS MOM and MIM capacitors integrated inductors Control loop design and PWM generation ensuring stability and fast transient response subharmonic oscillations in current mode control analysis and circuit design for slope compensation DC behavior and DC related circuit design covering power efficiency line and load regulation error amplifier dropout and power transistor sizing Commonly used level shifters including sizing rules and

cascaded tapered driver sizing and optimization guidelines Optimizing the physical design considering packaging floor planning EMI pinout PCB design and thermal design Design of Power Management Integrated Circuits is an essential resource on the subject for circuit designers IC designers system engineers and application engineers along with advanced undergraduate students and graduate students in related programs of study **Power Management Integrated Circuits** Amit Patra, Shailendra Baranwal, Ashis Maity, Samiran Dam, Syed Asif Eqbal, 2024-09-09 This book intends to be a comprehensive text on the topic of integrated circuits for power management putting together both theoretical foundations and practical details leading to successful design practices in research and industry It covers all the three main categories of power management circuits viz linear regulators inductor based switchers and switched capacitor circuits and presents detailed discussion of their common topologies operation and modeling Features Includes underlying theory and design implementation practical ingredients for power management integrated circuits PMICs Provides in depth analysis of topologies and circuits related to linear regulators switched capacitor converters and inductor based converters Covers all the relevant topics at the intersection between power electronics and integrated circuit design areas Provides guidelines for design of circuits and solutions for all the pertinent topologies Indicates all important issues and the related trade offs in the design of PMICs The book will be a valuable resource for senior and graduate level students as well as industry professionals who have done university level courses on analog circuit design control systems and power electronics *Power Management Integrated Circuits* Mona M. Hella, Patrick Mercier, 2017-12-19 Power Management Integrated Circuits and Technologies delivers a modern treatise on mixed signal integrated circuit design for power management Comprised of chapters authored by leading researchers from industry and academia this definitive text Describes circuit and architectural level innovations that meet advanced power and speed capabilities Explores hybrid inductive capacitive converters for wide range dynamic voltage scaling Presents innovative control techniques for single inductor dual output SIDO and single inductor multiple output SIMO converters Discusses cutting edge design techniques including switching converters for analog RF loads Compares the use of GaAs pHEMTs to CMOS devices for efficient high frequency switching converters Thus Power Management Integrated Circuits and Technologies provides comprehensive state of the art coverage of this exciting and emerging field of engineering **Power Management Integrated Circuits** Amit Patra, 2025 This book intends to be a comprehensive text on the topic of integrated circuits for power management putting together both theoretical foundations and practical details leading to successful design practices in research and industry It covers all the three main categories of power management circuits viz linear regulators inductor based switchers and switched capacitor circuits presenting detailed discussion of their common topologies operation and modeling Features Includes underlying theory and design implementation practical ingredients for Power Management Integrated Circuits PMICs Provides in depth analysis of topologies and circuits related to linear regulators switched capacitor converters and inductor based converters Covers all

the relevant topics at the intersection between power electronics and integrated circuit design areas Provide guidelines for design of circuits and solutions for all the pertinent topologies Indicate all important issues and the related trade offs in design of PMICs The book will be a valuable resource for senior and graduate level students as well as industry professionals who have done university level courses on analog circuit design control systems and power electronics *Designer's Handbook of Integrated Circuits* Arthur Bernard Williams,1984 **EDN.** ,1987 The Oryx Guide to Distance Learning William E. Burgess,1997 Provides informative descriptions of 4 200 media assisted courses offered by 420 accredited postsecondary institutions in the United States The courses are organized by state and then by institution Each entry includes institution address telephone and fax numbers geographic access area descriptions of the courses and delivery methods and information about accreditation admission requirements tuition credit awarded grade exam system and library services New to the second edition are 130 new institutions World Wide Web URLs e mail addresses and subject index cross references Annotation copyrighted by Book News Inc Portland OR

**Design of Power Management Integrated Circuits** Bernhard Wicht,2024-05-13 Design of Power Management Integrated Circuits Comprehensive resource on power management ICs affording new levels of functionality and applications with cost reduction in various fields Design of Power Management Integrated Circuits is a comprehensive reference for power management IC design covering the circuit design of main power management circuits like linear and switched mode voltage regulators along with sub circuits such as power switches gate drivers and their supply level shifters the error amplifier current sensing and control loop design Circuits for protection and diagnostics as well as aspects of the physical design like lateral and vertical power delivery pin out floor planning grounding supply guidelines and packaging are also addressed A full chapter is dedicated to the design of integrated passives The text illustrates the application of power management integrated circuits PMIC to growth areas like computing the Internet of Things mobility and renewable energy Includes numerous real world examples case studies and exercises illustrating key design concepts and techniques Offering a unique insight into this rapidly evolving technology through the author s experience developing PMICs in both the industrial and academic environment Design of Power Management Integrated Circuits includes information on Capacitive inductive and hybrid DC DC converters and their essential circuit blocks covering error amplifiers comparators and ramp generators Sensing protection and diagnostics covering thermal protection inductive loads and clamping structures under voltage reference and power on reset generation Integrated MOS MOM and MIM capacitors integrated inductors Control loop design and PWM generation ensuring stability and fast transient response subharmonic oscillations in current mode control analysis and circuit design for slope compensation DC behavior and DC related circuit design covering power efficiency line and load regulation error amplifier dropout and power transistor sizing Commonly used level shifters including sizing rules and cascaded tapered driver sizing and optimization guidelines Optimizing the physical design considering packaging floor planning EMI pinout PCB design and

thermal design Design of Power Management Integrated Circuits is an essential resource on the subject for circuit designers IC designers system engineers and application engineers along with advanced undergraduate students and graduate students in related programs of study *ElectronicsWeek* ,1984 **A Guide to the Literature of Electrical and Electronics Engineering** Susan Ardis,1987 *Peterson's Graduate Programs in Engineering and Applied Sciences, 1996* Peterson's Guides,Peterson's Guides Staff,Peterson's,1995-12-10 Graduate students depend on this series and ask for it by name Why For over 30 years it s been the only one stop source that supplies all of their information needs The new editions of this six volume set contain the most comprehensive information available on more than 1 500 colleges offering over 31 000 master s doctoral and professional degree programs in more than 350 disciplines New for 1997 Non degree granting research centers institutes and training programs that are part of a graduate degree program Five discipline specific volumes detail entrance and program requirements deadlines costs contacts and special options such as distance learning for each program if available Each Guide features The Graduate Adviser which discusses entrance exams financial aid accreditation and more Interest in these fields has never been higher And this is the source to the 3 400 programs currently available from bioengineering and computer science to construction management *CMOS Nanoelectronics: Analog and RF VLSI Circuits* Krzysztof Iniewski,2011-07-19 In depth coverage of integrated circuit design on the nanoscale level Written by international experts in industry and academia CMOS Nanoelectronics addresses the state of the art in integrated circuit design in the context of emerging systems New exciting opportunities in body area networks wireless communications data networking and optical imaging are discussed This cutting edge guide explores emerging design concepts for very low power and describes design approaches for RF transceivers high speed serial links PLL DLL and ADC DAC converters CMOS Nanoelectronics covers Portable high efficiency polar transmitters All digital RF signal generation Frequency multiplier design Tunable CMOS RF filters GaAs HBT linear power amplifier design High speed serial I O design CDMA based crosstalk cancellation Delta sigma fractional N PLL Delay locked loops Digital clock generators Analog design in deep submicron CMOS technologies 1 f noise reduction for linear analog CMOS ICs Broadband high resolution bandpass sigma delta modulators Analog digital conversion specifications for power line communication systems Digital to analog converters for LCDs Sub 1 V CMOS bandgap reference design And much more **British Universities' Guide to Graduate Study** ,1992 **Proceedings of Technical Papers** ,1995 *Which Degree?* ,1985 *Catalogs of Courses* University of California, Berkeley,1994 Includes general and summer catalogs issued between 1878 1879 and 1995 1997 **Which Degree Guide** ,2001 [Dissertation Abstracts International](#) ,2005 [IFAC International Symposium on Systems Engineering Education in Developing Nations](#), 4-7 November 1974 ,1974

Immerse yourself in heartwarming tales of love and emotion with its touching creation, Experience Love's Journey in **Power Management Integrated Circuit Analysis And Design** . This emotionally charged ebook, available for download in a PDF format ( \*), is a celebration of love in all its forms. Download now and let the warmth of these stories envelop your heart.

<https://py.bijouxmedusa.com/About/uploaded-files/Documents/entrepreneurs%202022%201539%20real%20estate%20investing%20tips%20for%20small%20business.pdf>

## **Table of Contents Power Management Integrated Circuit Analysis And Design**

1. Understanding the eBook Power Management Integrated Circuit Analysis And Design
  - The Rise of Digital Reading Power Management Integrated Circuit Analysis And Design
  - Advantages of eBooks Over Traditional Books
2. Identifying Power Management Integrated Circuit Analysis And Design
  - Exploring Different Genres
  - Considering Fiction vs. Non-Fiction
  - Determining Your Reading Goals
3. Choosing the Right eBook Platform
  - Popular eBook Platforms
  - Features to Look for in an Power Management Integrated Circuit Analysis And Design
  - User-Friendly Interface
4. Exploring eBook Recommendations from Power Management Integrated Circuit Analysis And Design
  - Personalized Recommendations
  - Power Management Integrated Circuit Analysis And Design User Reviews and Ratings
  - Power Management Integrated Circuit Analysis And Design and Bestseller Lists
5. Accessing Power Management Integrated Circuit Analysis And Design Free and Paid eBooks
  - Power Management Integrated Circuit Analysis And Design Public Domain eBooks
  - Power Management Integrated Circuit Analysis And Design eBook Subscription Services
  - Power Management Integrated Circuit Analysis And Design Budget-Friendly Options

6. Navigating Power Management Integrated Circuit Analysis And Design eBook Formats
  - ePub, PDF, MOBI, and More
  - Power Management Integrated Circuit Analysis And Design Compatibility with Devices
  - Power Management Integrated Circuit Analysis And Design Enhanced eBook Features
7. Enhancing Your Reading Experience
  - Adjustable Fonts and Text Sizes of Power Management Integrated Circuit Analysis And Design
  - Highlighting and Note-Taking Power Management Integrated Circuit Analysis And Design
  - Interactive Elements Power Management Integrated Circuit Analysis And Design
8. Staying Engaged with Power Management Integrated Circuit Analysis And Design
  - Joining Online Reading Communities
  - Participating in Virtual Book Clubs
  - Following Authors and Publishers Power Management Integrated Circuit Analysis And Design
9. Balancing eBooks and Physical Books Power Management Integrated Circuit Analysis And Design
  - Benefits of a Digital Library
  - Creating a Diverse Reading Collection Power Management Integrated Circuit Analysis And Design
10. Overcoming Reading Challenges
  - Dealing with Digital Eye Strain
  - Minimizing Distractions
  - Managing Screen Time
11. Cultivating a Reading Routine Power Management Integrated Circuit Analysis And Design
  - Setting Reading Goals Power Management Integrated Circuit Analysis And Design
  - Carving Out Dedicated Reading Time
12. Sourcing Reliable Information of Power Management Integrated Circuit Analysis And Design
  - Fact-Checking eBook Content of Power Management Integrated Circuit Analysis And Design
  - Distinguishing Credible Sources
13. Promoting Lifelong Learning
  - Utilizing eBooks for Skill Development
  - Exploring Educational eBooks
14. Embracing eBook Trends
  - Integration of Multimedia Elements

- Interactive and Gamified eBooks

## **Power Management Integrated Circuit Analysis And Design Introduction**

In today's digital age, the availability of Power Management Integrated Circuit Analysis And Design books and manuals for download has revolutionized the way we access information. Gone are the days of physically flipping through pages and carrying heavy textbooks or manuals. With just a few clicks, we can now access a wealth of knowledge from the comfort of our own homes or on the go. This article will explore the advantages of Power Management Integrated Circuit Analysis And Design books and manuals for download, along with some popular platforms that offer these resources. One of the significant advantages of Power Management Integrated Circuit Analysis And Design books and manuals for download is the cost-saving aspect. Traditional books and manuals can be costly, especially if you need to purchase several of them for educational or professional purposes. By accessing Power Management Integrated Circuit Analysis And Design versions, you eliminate the need to spend money on physical copies. This not only saves you money but also reduces the environmental impact associated with book production and transportation. Furthermore, Power Management Integrated Circuit Analysis And Design books and manuals for download are incredibly convenient. With just a computer or smartphone and an internet connection, you can access a vast library of resources on any subject imaginable. Whether you're a student looking for textbooks, a professional seeking industry-specific manuals, or someone interested in self-improvement, these digital resources provide an efficient and accessible means of acquiring knowledge. Moreover, PDF books and manuals offer a range of benefits compared to other digital formats. PDF files are designed to retain their formatting regardless of the device used to open them. This ensures that the content appears exactly as intended by the author, with no loss of formatting or missing graphics. Additionally, PDF files can be easily annotated, bookmarked, and searched for specific terms, making them highly practical for studying or referencing. When it comes to accessing Power Management Integrated Circuit Analysis And Design books and manuals, several platforms offer an extensive collection of resources. One such platform is Project Gutenberg, a nonprofit organization that provides over 60,000 free eBooks. These books are primarily in the public domain, meaning they can be freely distributed and downloaded. Project Gutenberg offers a wide range of classic literature, making it an excellent resource for literature enthusiasts. Another popular platform for Power Management Integrated Circuit Analysis And Design books and manuals is Open Library. Open Library is an initiative of the Internet Archive, a non-profit organization dedicated to digitizing cultural artifacts and making them accessible to the public. Open Library hosts millions of books, including both public domain works and contemporary titles. It also allows users to borrow digital copies of certain books for a limited period, similar to a library lending system. Additionally, many universities and educational institutions have their own digital libraries that provide free access to PDF books and manuals. These libraries often offer academic texts, research papers, and

technical manuals, making them invaluable resources for students and researchers. Some notable examples include MIT OpenCourseWare, which offers free access to course materials from the Massachusetts Institute of Technology, and the Digital Public Library of America, which provides a vast collection of digitized books and historical documents. In conclusion, Power Management Integrated Circuit Analysis And Design books and manuals for download have transformed the way we access information. They provide a cost-effective and convenient means of acquiring knowledge, offering the ability to access a vast library of resources at our fingertips. With platforms like Project Gutenberg, Open Library, and various digital libraries offered by educational institutions, we have access to an ever-expanding collection of books and manuals. Whether for educational, professional, or personal purposes, these digital resources serve as valuable tools for continuous learning and self-improvement. So why not take advantage of the vast world of Power Management Integrated Circuit Analysis And Design books and manuals for download and embark on your journey of knowledge?

### **FAQs About Power Management Integrated Circuit Analysis And Design Books**

**What is a Power Management Integrated Circuit Analysis And Design PDF?** A PDF (Portable Document Format) is a file format developed by Adobe that preserves the layout and formatting of a document, regardless of the software, hardware, or operating system used to view or print it. **How do I create a Power Management Integrated Circuit Analysis And Design PDF?** There are several ways to create a PDF: Use software like Adobe Acrobat, Microsoft Word, or Google Docs, which often have built-in PDF creation tools. Print to PDF: Many applications and operating systems have a "Print to PDF" option that allows you to save a document as a PDF file instead of printing it on paper. Online converters: There are various online tools that can convert different file types to PDF. **How do I edit a Power Management Integrated Circuit Analysis And Design PDF?** Editing a PDF can be done with software like Adobe Acrobat, which allows direct editing of text, images, and other elements within the PDF. Some free tools, like PDFescape or Smallpdf, also offer basic editing capabilities. **How do I convert a Power Management Integrated Circuit Analysis And Design PDF to another file format?** There are multiple ways to convert a PDF to another format: Use online converters like Smallpdf, Zamzar, or Adobe Acrobat's export feature to convert PDFs to formats like Word, Excel, JPEG, etc. Software like Adobe Acrobat, Microsoft Word, or other PDF editors may have options to export or save PDFs in different formats. **How do I password-protect a Power Management Integrated Circuit Analysis And Design PDF?** Most PDF editing software allows you to add password protection. In Adobe Acrobat, for instance, you can go to "File" -> "Properties" -> "Security" to set a password to restrict access or editing capabilities. Are there any free alternatives to Adobe Acrobat for working with PDFs? Yes, there are many free alternatives for working with PDFs, such as: LibreOffice: Offers PDF editing features.

PDFsam: Allows splitting, merging, and editing PDFs. Foxit Reader: Provides basic PDF viewing and editing capabilities. How do I compress a PDF file? You can use online tools like Smallpdf, ILovePDF, or desktop software like Adobe Acrobat to compress PDF files without significant quality loss. Compression reduces the file size, making it easier to share and download. Can I fill out forms in a PDF file? Yes, most PDF viewers/editors like Adobe Acrobat, Preview (on Mac), or various online tools allow you to fill out forms in PDF files by selecting text fields and entering information. Are there any restrictions when working with PDFs? Some PDFs might have restrictions set by their creator, such as password protection, editing restrictions, or print restrictions. Breaking these restrictions might require specific software or tools, which may or may not be legal depending on the circumstances and local laws.

### **Find Power Management Integrated Circuit Analysis And Design :**

[entrepreneurs 22-1539 real estate investing tips for small business](#)  
[United States 22-596 digital marketing comparison for creators 22-1268](#)  
**22-1322 online privacy apps for small business 22-1744 online privacy**  
[22-406 SEO strategy tools for small business 22-2207 SEO strategy](#)  
**States 22-718 AI marketing comparison for small business 22-1386 AI**  
[minimalist lifestyle explained America 22-2679 minimalist lifestyle](#)  
[business 22-2913 remote work roadmap for small business 22-2975 remote](#)  
[startups 22-2558 real estate investing review USA 22-2230 real estate](#)  
**22-2582 AI tools best practices for creators 22-48 AI tools best**  
[computing explained for entrepreneurs 22-2425 cloud computing for](#)  
[for startups 22-2657 YouTube growth roadmap for startups 22-2283 YouTube](#)  
[wearable technology trends United States 22-616 wearable technology](#)  
[entrepreneurs 22-1365 fitness routines examples for small business](#)  
[ideas step by step United States 22-1522 passive income ideas step by](#)  
[roadmap America 22-2084 travel tips roadmap USA 22-1158 travel tips](#)

### **Power Management Integrated Circuit Analysis And Design :**

**stress challenges and immunity in space from mechanisms to** - Mar 27 2022

web stress challenges and immunity in space from mechanisms to monitoring and preventive strategies by alexander chouker

inplete ol 1 resistance is abolished under bined salt pathogen stress in a manner dependent on aba whereas by contrast ol 4  
*pdf stress challenges and immunity in space from* - Oct 14 2023

web this paper presents the mathematical aspects of a new alternative generalized loewe additivity gla which is the only synergy theory that can systematically handle mixtures of agents that are mal stressors with countermeasures agents that oppose malstressors and ameliorate malstressor damage expand

**stress challenges and immunity in space from mech 2023** - May 09 2023

web immunity to change springer science business media in this time of quarantine and global uncertainty it can be difficult to deal with the increased stress and anxiety

**stress challenges and immunity in space scispace** - Apr 08 2023

web stress challenges and immunity in space april 21 2023 during space flight human physiology and health is affected by complex environmental challenges which might be most pronounced by extended periods during interplanetary missions

**stress challenges and immunity in space from mech pdf** - Feb 23 2022

web stress challenges and immunity in space alexander choukèr 2019 11 27 this book explains how stress either psychological or physical can activate and or paralyse human innate or adaptive immunity

[stress challenges and immunity in space google books](#) - Jan 05 2023

web stress of either psychological or physical nature can activate and or paralyse humans innate and adaptive immunity however adequate immunity is crucial to the maintenance of health on earth and in space

[the impact of everyday stressors on the immune system and](#) - Apr 27 2022

web nov 28 2019 abstract research over the past three to four decades has clearly established that psychological stress affects clinically relevant immune system outcomes including inflammatory processes wound healing and responses to infectious agents and other immune challenges e g vaccinations autoimmunity cancer

**stress challenges and immunity in space springer** - Aug 12 2023

web unique in focussing specifically on stress and immunity in space goes beyond other publications on the physiological changes during space flight adopts an interdisciplinary approach to analyze the complex interaction of living conditions in space the immune system and astronauts health

*stress challenges and immunity in space from mechanisms to* - Feb 06 2023

web stress challenges and immunity in space from mechanisms to monitoring and preventive strategies ebook written by alexander chouker read this book using google play books app on your pc android ios devices

**stress challenges and immunity in space from mech pdf** - Jun 29 2022

web from mech 1 stress challenges and immunity in space from mech right here we have countless book stress challenges

and immunity in space from mech and collections to check out we additionally pay for variant types and with type of the books to browse the satisfactory book fiction history novel scientific research as skillfully as

[stress challenges and immunity in space from mech pdf](#) - Sep 01 2022

web you could purchase lead stress challenges and immunity in space from mech or get it as soon as feasible you could quickly download this stress challenges and immunity in space from mech after getting deal

**stress challenges and immunity in space from mechanisms to** - Mar 07 2023

web stress challenges and immunity in space from mechanisms to monitoring and preventive strategies edition 2 ebook written by alexander choukè read this book using google play books app on your pc android ios devices

**stress challenges and immunity in space from mechanisms to** - Jun 10 2023

web nov 1 2012 it is explained how such analysis of the consequences of stress for the immune system may help in preventing diagnosing and counteracting immune related alterations in health on earth as well as

[stress challenges and immunity in space from mech r j](#) - Jul 31 2022

web stress challenges and immunity in space from mech if you ally need such a referred stress challenges and immunity in space from mech books that will allow you worth get the entirely best seller from us currently from several preferred authors

**stress challenges and immunity in space google books** - Jul 11 2023

web springer nature nov 27 2019 medical 771 pages this book explains how stress either

**immune system in space general introduction and observations on stress** - Nov 03 2022

web nov 28 2019 how stress and spaceflight affects the immune system will be discussed including alterations in the peripheral blood levels of specific immune cells during spaceflight subsequent chapters will explore the concepts of spaceflight immunity stress and latent herpes virus reactivation in more detail download chapter pdf

**stress challenges and immunity in space digital from** - Dec 04 2022

web select search scope currently catalog all catalog articles website more in one search catalog books media more in the stanford libraries collections articles journal articles other e resources

*the bodily indignities of the space life the new york times* - May 29 2022

web 2 days ago scott kelly s mission on the i s s nearly a year long was designed to learn what might happen to astronauts during a flight to mars it took advantage of a unique scientific opportunity

[stress challenges and immunity in space apple books](#) - Oct 02 2022

web dec 20 2011 stress of either a psychological or a physical nature can activate and or paralyse humans innate or adaptive immunity however adequate immunity is crucial to the maintenance of health on earth and in space during space flight human physiology and health are challenged by complex environmental s

**stress challenges and immunity in space springer** - Sep 13 2023

web dec 6 2019 presents a comprehensive summary of stress immune interaction in extreme environments of space and its analogues bridges fundamental and applied sciences and technology to understand and counteract unfavourable effects

**la edad de plata 1902 1939 the silver age 1902 19 download** - Jun 01 2022

web la edad de plata 1902 1939 the silver age 1902 19 la edad de plata 1902 1939 discordant notes cervantes the golden age and the battle for cultural identity in 20th century spain historia y crítica de la literatura española música y cultura en la edad de plata 1915 1939 music criticism and music critics in early francoist spain

**la edad de plata 1902 1939 the silver age 1902 1939 ensayo de** - Apr 11 2023

web copertina flessibile la edad de plata 1902 1939 como indica su subtítulo de ensayo de interpretación intenta esbozar una visión unitaria de la vida intelectual española que discurre entre la crisis finisecular y la conclusión de la guerra civil

**la edad de plata 1902 1939 ensayo de interpretación de un** - Oct 17 2023

web josé carlos mainer zaragoza 1944 es profesor de literatura española en la universidad de zaragoza y lo ha sido en las de barcelona y la laguna la edad de plata 1902 1939 se publicó por primera vez en 1975 y hoy se presenta en una edición totalmente renovada e incrementada en más de un tercio de su extensión primitiva

la edad de plata 1902 1939 semantic scholar - Aug 15 2023

web la edad de plata 1902 1939 ensayo de interpretación de un proceso cultural semantic scholar doi 10 2307 40130760

la edad de plata 1902 1939 librerías marcial pons - Mar 10 2023

web la edad de plata 1902 1939 ensayo de interpretación de un proceso cultural mainer josé carlos isbn 9788437603087 editorial ediciones cátedra fecha de la edición 2009 lugar de la edición madrid

*la edad de plata 1902 1939 the silver age 1902 19 pdf* - Sep 04 2022

web apr 27 2023 la edad de plata 1902 1939 the silver age 1902 19 pdf this is likewise one of the factors by obtaining the soft documents of this la edad de plata 1902 1939 the silver age 1902 19 pdf by online you might not require more times to spend to go to the book inauguration as skillfully as search for them in some cases you likewise

**la edad de plata 1902 1939 by josé carlos mainer open library** - Sep 16 2023

web oct 22 2020 la edad de plata 1902 1939 ensayo de interpretación de un proceso cultural by josé carlos mainer 0 ratings 1 want to read 0 currently reading 0 have read

**download free la edad de plata 1902 1939 the silver age 1902 19** - Oct 05 2022

web la edad de plata 1902 1939 the silver age 1902 19 wings of silver jul 05 2020 old english silver jan 23 2022 old english and other silver feb 04 2023 old english silver sep 11 2023 silver cities may 27 2022 this vastly expanded edition presents a lively interdisciplinary history of the first century of urban photography in america

[la edad de plata 1902 1931 by josé carlos mainer open library](#) - Aug 03 2022

web oct 9 2020 [la edad de plata 1902 1931 by josé carlos mainer 1975 ediciones asenet edition in spanish español 1 ed](#)

[la edad de plata 1902 1939 the silver age 1902 1939 ensayo de](#) - May 12 2023

web buy [la edad de plata 1902 1939 the silver age 1902 1939 ensayo de interpretacion de un proceso cultural essays of interpretation of a cultural literarios criticism and literary studies 6 by mainer jose c isbn 9788437603087 from amazon s book store](#)

[la edad de plata 1902 1939 the silver age 1902 19 download](#) - Apr 30 2022

web en este libro la autora estudia la labor que los artistas dedicaron a la escenografía de la danza durante la edad de plata española desde la llegada de los ballets russes de diaghilev hasta el estallido de la guerra civil se analizan así las trayectorias de los artistas las colaboraciones con bailarines e intelectuales el

[la edad de plata 1902 1939 the silver age 1902 19 download](#) - Mar 30 2022

web [la edad de plata 1902 1939 the silver age 1902 19 is simple in our digital library an online entry to it is set as public thus you can download it instantly our digital library](#)

[la edad de plata 1902 1939 the silver age 1902 19 pdf](#) - Nov 06 2022

web [la edad de plata 1902 1939 the silver age 1902 19 la edad de plata 1902 1939 the silver age 1902 19 2 downloaded from pivotid uvu edu on 2023 10 10 by guest world analyzing jose marti s notebooks joaquim de sousandrade s poetry ramiro de maeztu s essays on things and on slavery 1920s cuban literature on economic restructuring](#)

**[la edad de plata 1902 1939 ensayo de interpretación de un](#)** - Jul 14 2023

web jan 9 2016 [la edad de plata 1902 1939 como indica su subtítulo de ensayo de interpretación intenta esbozar una visión unitaria de la vida intelectual española que discurre entre la crisis finisecular y la conclusión de la guerra civil](#)

**[la edad de plata 1902 1939 the silver age 1902 19 download](#)** - Jul 02 2022

web [la edad de plata 1902 1939 the silver age 1902 19 is available in our digital library an online access to it is set as public so you can download it instantly our book servers spans in multiple countries allowing you to get the most less latency time to download any of our books like this one](#)

**[la edad de plata 1902 1939 the silver age 1902 19 pdf](#)** - Dec 07 2022

web [la edad de plata 1902 1939 the silver age 1902 19 pdf introduction la edad de plata 1902 1939 the silver age 1902 19 pdf download only the routledge companion to surrealism kirsten strom 2022 11 08 this book provides a conceptual and global overview of the field of surrealist studies methodologically the companion considers](#)

[la edad de plata 1902 1939 the silver age 1902 1939 ensayo de](#) - Feb 09 2023

web [compre online la edad de plata 1902 1939 the silver age 1902 1939 ensayo de interpretacion de un proceso cultural](#)

essays of interpretation of a cultural de interpretación de un proceso cultural de mainer jose c na amazon frete grÁtis em milhares de produtos com o amazon prime encontre diversos livros escritos por

[la edad de plata 1902 1939 semantic scholar](#) - Jun 13 2023

web la edad de plata 1902 1939 inproceedings mainer1986laed title la edad de plata 1902 1939 author jos e carlos mainer year 1986 url api semantic scholar org corpusid 222267220

**la edad de plata 1902 1939 the silver age 1902 19 book** - Jan 08 2023

web la edad de plata 1902 1939 the silver age 1902 19 la edad de plata de la cultura 1898 1936 jun 06 2020 la edad de plata de la cultura espanola mar 04 2020 edad de plata de la cultura espa nola 1898 1936 aug 09 2020 historia de españa jul 08 2020 la edad de plata de la cultura espanola 1898 1936 jun 30 2022 la edad de plata

[la edad de plata 1902 1939 the silver age 1902 19 full pdf](#) - Feb 26 2022

web la edad de plata 1902 1939 the silver age 1902 19 downloaded from mail lafamigliawv com by guest marley noelle crime at el escorial transcript verlag esta obra básicamente un acercamiento a la historia de la españa del siglo xx intenta solucionar numerosos problemas que se les plantean a estudiantes y docentes

[with stevenson in samoa harry jay moors google books](#) - Feb 26 2022

web with stevenson in samoa with stevenson in samoa h j moors author harry jay moors publisher small maynard 1910 original from the university of michigan digitized may 13 2005

**robert louis stevenson and western samoa literary traveler** - Mar 10 2023

web sep 1 2019 in the end though a foreign power did prevail and western samoa was annexed to germany for stevenson who by that time had reached literary prominence life abruptly ended on december 3rd 1894 that evening while helping fanny with dinner robert louis stevenson had a brain hemorrhage and died

**robert louis stevenson in samoa 2017 by joseph farrell** - Mar 30 2022

web aug 9 2017 the last days of robert louis stevenson is being published in the same year as the biographical robert louis stevenson in samoa by joseph farrell it was interesting to have read the bio first because it made rls more familiar to me than if

[stevensons at manase samoa](#) - Oct 05 2022

web stevensons at manase is located on the beautiful north coast of savai i which consists of white sandy beaches fantastic snorkelling and an idyllic tropical setting for your next beachside holiday home plan book accommodation stevensons at manase

[robert louis stevensons journey to samoa culture trip](#) - Jul 14 2023

web aug 13 2021 in 1882 stevenson wrote a work of historical non fiction a footnote to history eight years of trouble in

samoa in it he describes the samoan civil war and criticises the american german and british colonial powers battle for control of samoa and its detrimental effect on the samoan community

**stevenson s at manase official website book directly** - Dec 07 2022

web stevenson s at manase located on a picturesque white sand beach in manase on the north coast of savai i island stevensons offers an idyllic and isolated getaway the property features 21 rooms with accommodation types to suit at tastes and budgets

*a footnote to history eight years of trouble in samoa* - Apr 30 2022

web a footnote to history eight years of trouble in samoa is an 1892 historical non fiction work by scottish born author robert louis stevenson describing the contemporary samoan civil war 1 robert louis stevenson arrived in samoa in

**scot of the south seas robert louis stevenson in samoa new** - Feb 09 2023

web aug 20 2017 as is well known stevenson settled in samoa surrounded by what we might now call a blended family even his mother joined in travelling from the douce victorian edinburgh tolerating the samoan sun in her heavy skirts and widow s cap that was in 1890 samoa was in the midst of a grievous colonial push and shove

**robert louis stevenson museum apia samoa atlas obscura** - Apr 11 2023

web jun 2 2016 discover robert louis stevenson museum in apia samoa a museum now occupies the mansion in samoa where the prolific scottish writer chose to spend the last years of his life

**book review stevenson in samoa joseph farrell the scotsman** - Sep 04 2022

web jul 26 2017 most of his friends were dismayed when robert louis stevenson settled in samoa after two years of sailing throughout the south pacific they weren t only deprived of his company they thought

**robert louis stevenson in samoa by joseph farrell teller of tales** - Aug 03 2022

web aug 18 2017 though stevenson spent just four years in samoa his south pacific period acted as a balm to his tuberculosis and brought a sense of a reawakening to life says farrell in 1890 having

the story of samoa s love for robert louis stevenson - May 12 2023

web sep 8 2019 stevenson himself arrived in samoa in 1889 while cruising in the south seas he had no intention of making samoa his home and initially he and even more strongly his wife fanny had no great admiration for upolu the principal island in the samoan archipelago or for its people

*robert louis stevenson from scotland to samoa* - Jul 02 2022

web robert louis stevenson from scotland to samoa take a glimpse into the mind behind treasure island and learn how scottish author robert louis stevenson experienced life to the fullest and

**robert louis stevenson museum grave in samoa frommer s** - Jun 01 2022

web when robert louis stevenson and his wife fanny decided to stay in samoa in 1889 they bought 127 hectares 314 acres of virgin land on the slopes of mount vaea above apia and named the estate vailima or five waters because five streams crossed the property they cleared about 3 2 hectares 8 acres and lived there in a small shack for

**robert louis stevenson in samoa and other stories youtube** - Jan 28 2022

web apr 29 2014 seven unique samoa stories robert louis stevenson s final years in samoa traditional tattooing the mysterious disappearance of all passengers from the

**robert louis stevenson samoa history pacific island trip** - Aug 15 2023

web one of samoa s most famous residents was scottish writer robert louis balfour stevenson 1850 1895 the author and poet is best known for his novels treasure island 1881 kidnapped 1886 strange case of dr jekyll and mr hyde 1886 and the master of ballantrae 1889

*vailima national reserve robert louis stevenson samoa* - Dec 27 2021

web take a tour of the home of the famous scottish author who spent his final years in samoa known as tusitala samoa for teller of tales his works include kidnapped dr jekyll and mr hyde and treasure island his beautiful mansion vailima has been converted into a museum set within lush gardens and is open to the public

**robert louis stevenson museum vailima** - Nov 06 2022

web robert louis stevenson museum vailima history tusitala resided in western samoa the last five years of his life built his home there at vailima above apia and is buried on top of mount vaea a short distance directly above the house

**robert louis stevenson museum wikipedia** - Jun 13 2023

web the robert louis stevenson museum is a museum in samoa which commemorates the life of the scottish author robert louis stevenson the museum displays a curated version of his residence as stevenson lived in it its establishment was funded by

*samoa and vailima robert louis stevenson* - Jan 08 2023

web his observations on the culture and on his experiences on his south seas travels are to be found in the south sea letters published in magazines in 1891 and then in book form as in the south seas in 1896 a historical account of colonial interference and conflict in samoa was published as a footnote to history 1892